



US00D776859S

(12) **United States Design Patent**
Duckworth

(10) **Patent No.:** **US D776,859 S**
(45) **Date of Patent:** **** Jan. 17, 2017**

(54) **AREA LUMINAIRE**

(71) Applicant: **Hubbell Incorporated**, Shelton, CT
(US)

(72) Inventor: **Jason Duckworth**, Simpsonville, SC
(US)

(73) Assignee: **Hubbell Incorporated**, Shelton, CT
(US)

(**) Term: **14 Years**

(21) Appl. No.: **29/525,604**

(22) Filed: **Apr. 30, 2015**

(51) **LOC (10) Cl.** **26-03**

(52) **U.S. Cl.**
USPC **D26/92**

(58) **Field of Classification Search**
USPC D26/67-71, 92
CPC F21S 9/03; F21S 8/085; F21S 8/086;
F21W 2131/103; F21V 15/01
See application file for complete search history.

(56) **References Cited**

U.S. PATENT DOCUMENTS

4,426,676	A	1/1984	Taylor	
5,000,535	A	3/1991	Churchill	
D644,370	S *	8/2011	Lickiss	D26/71
D646,420	S *	10/2011	Chen	D26/71
D660,494	S *	5/2012	Wang	D26/71
D672,492	S *	12/2012	Butler	D26/71

(Continued)

FOREIGN PATENT DOCUMENTS

EP 2600055 6/2013

Primary Examiner — Clare E Heflin

(74) *Attorney, Agent, or Firm* — Michael Best & Friedrich, LLP

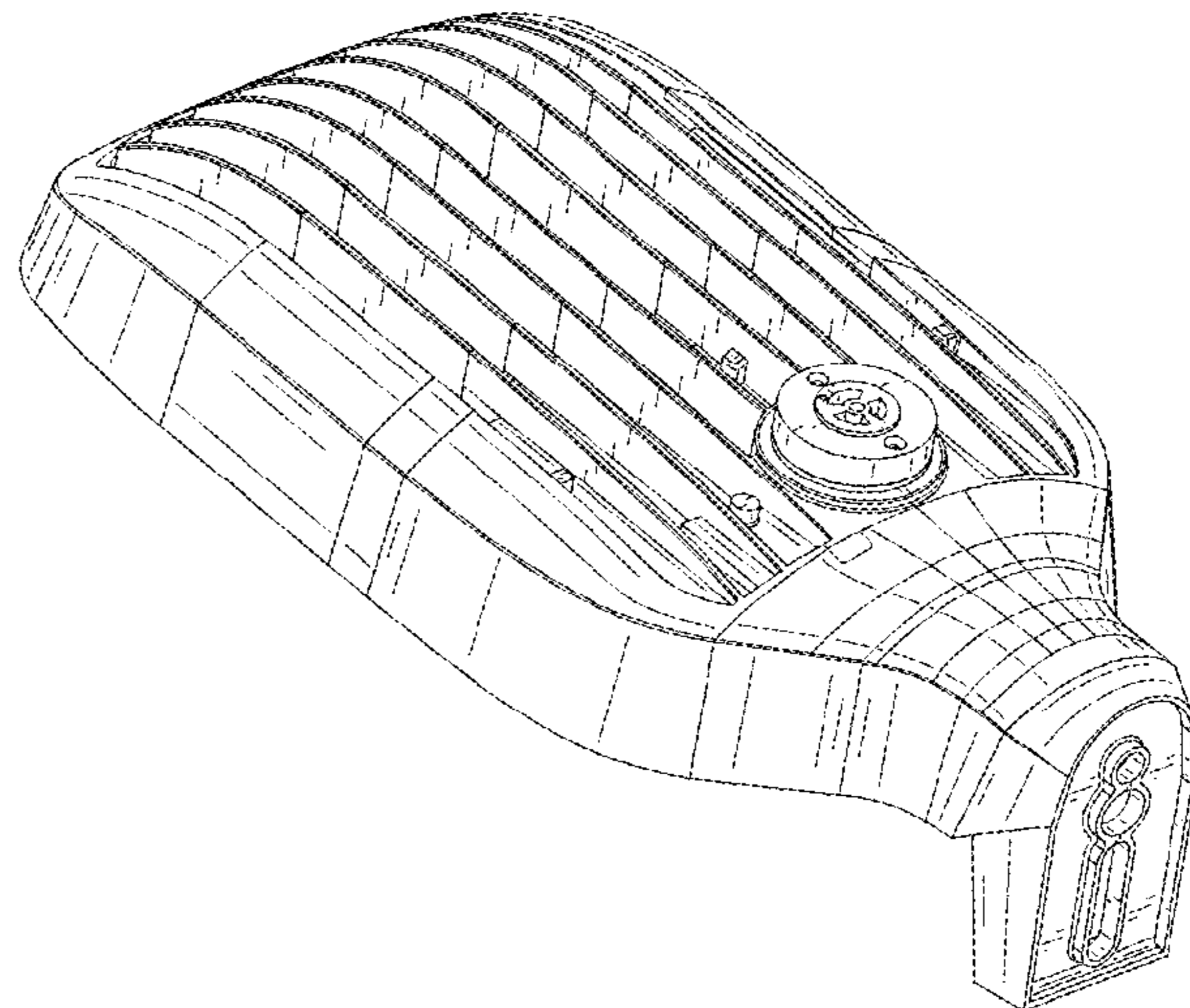
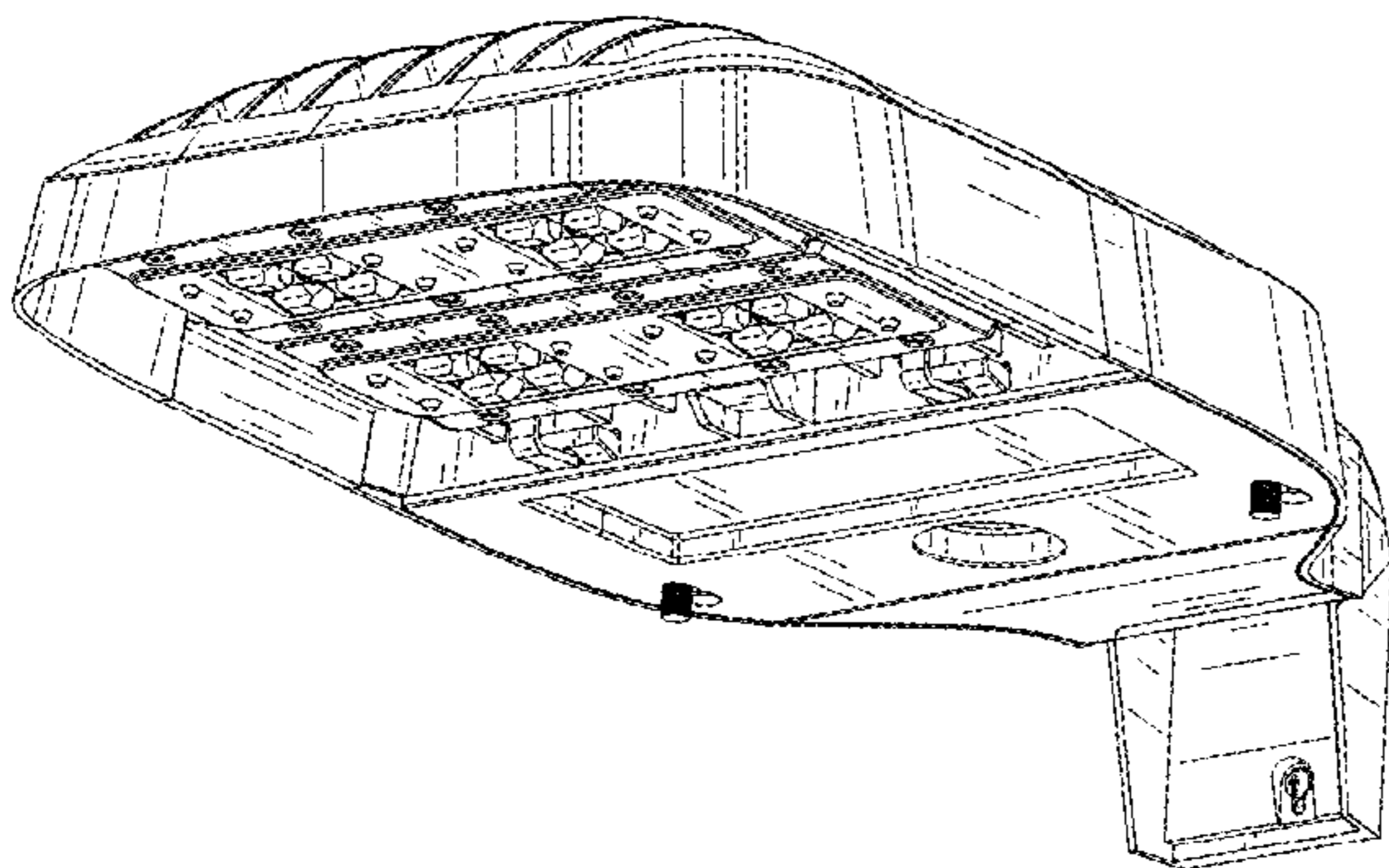
(57) **CLAIM**

The ornamental design for an area luminaire, as shown and described.

DESCRIPTION

FIG. 1 is a top, front perspective view of an embodiment of the design;
 FIG. 2 is a bottom, front perspective view of FIG. 1;
 FIG. 3 is a top, rear perspective view of FIG. 1;
 FIG. 4 is a rear view of FIG. 1;
 FIG. 5 is a front view of FIG. 1;
 FIG. 6 is a top view of FIG. 1;
 FIG. 7 is a bottom view of FIG. 1;
 FIG. 8 is a right side view of FIG. 1;
 FIG. 9 is a top, front perspective view of an embodiment of the design;
 FIG. 10 is a bottom, front perspective view of FIG. 9;
 FIG. 11 is a top, rear perspective view of FIG. 9;
 FIG. 12 is a rear view of FIG. 9;
 FIG. 13 is a front view of FIG. 9;
 FIG. 14 is a top view of FIG. 9;
 FIG. 15 is a bottom view of FIG. 9;
 FIG. 16 is a right side view of FIG. 9;
 FIG. 17 is a top, front perspective view of an embodiment of the design;
 FIG. 18 is a bottom, front perspective view of FIG. 17;
 FIG. 19 is a top, rear perspective view of FIG. 17;
 FIG. 20 is a rear view of FIG. 17;
 FIG. 21 is a front view of FIG. 17;
 FIG. 22 is a top view of FIG. 17;
 FIG. 23 is a bottom view of FIG. 17; and,
 FIG. 24 is a right side view of FIG. 17.

1 Claim, 6 Drawing Sheets



(56)

References Cited

U.S. PATENT DOCUMENTS

D695,438	S *	12/2013	Liu	D26/71
D715,984	S *	10/2014	Durdle	D26/71
D717,988	S *	11/2014	Zhu	D26/71
D747,527	S *	1/2016	Guercio	D26/71
2009/0237930	A1 *	9/2009	Li	F21S 8/086 362/235
2009/0251898	A1	10/2009	Kinnune et al.	
2011/0235343	A1 *	9/2011	Arai	F21S 8/086 362/373
2013/0215606	A1	8/2013	Wang et al.	
2014/0169003	A1 *	6/2014	Wang	F21V 29/763 362/373
2015/0219329	A1 *	8/2015	Kim	F21S 8/086 362/249.02

* cited by examiner

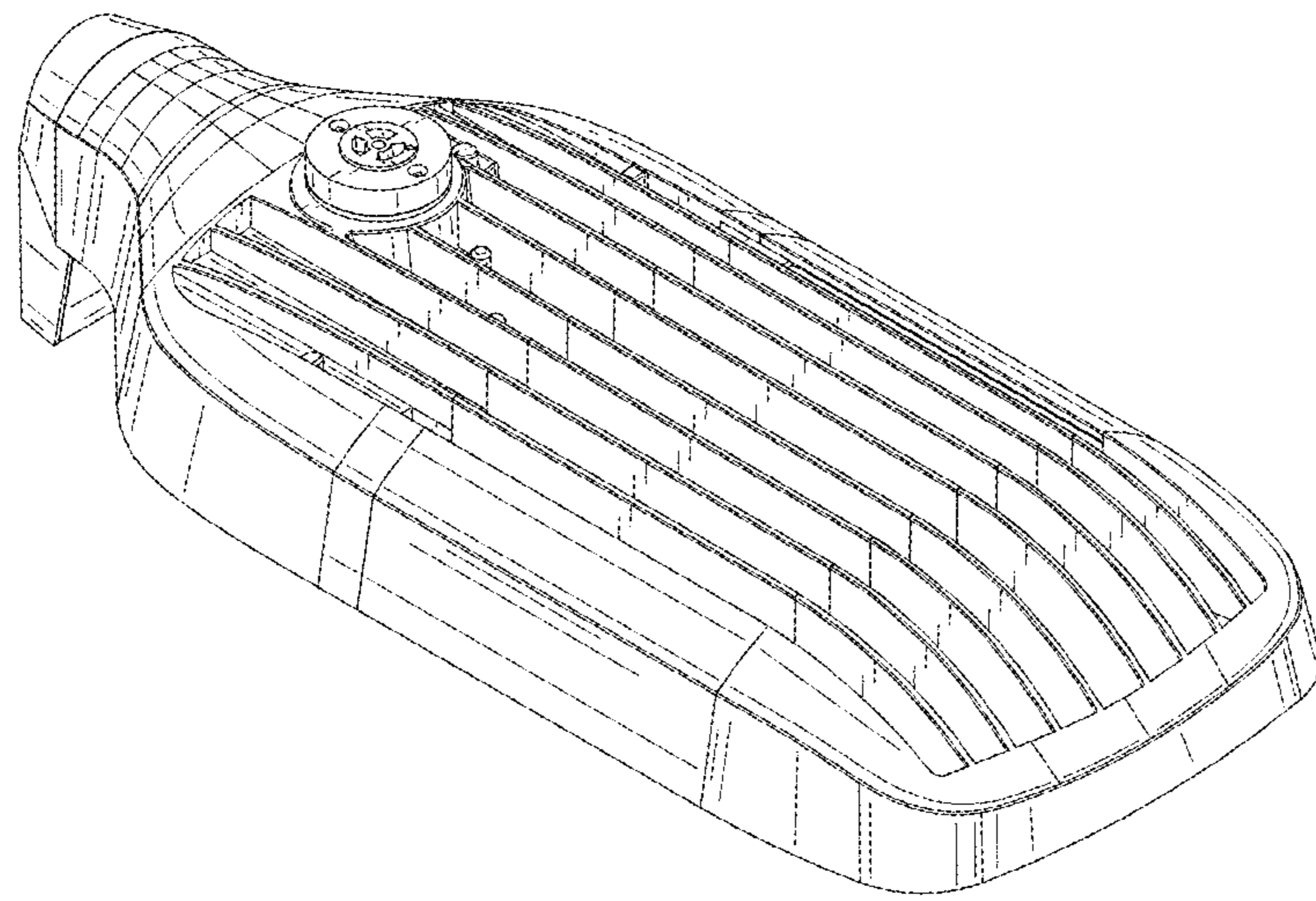


FIG. 1

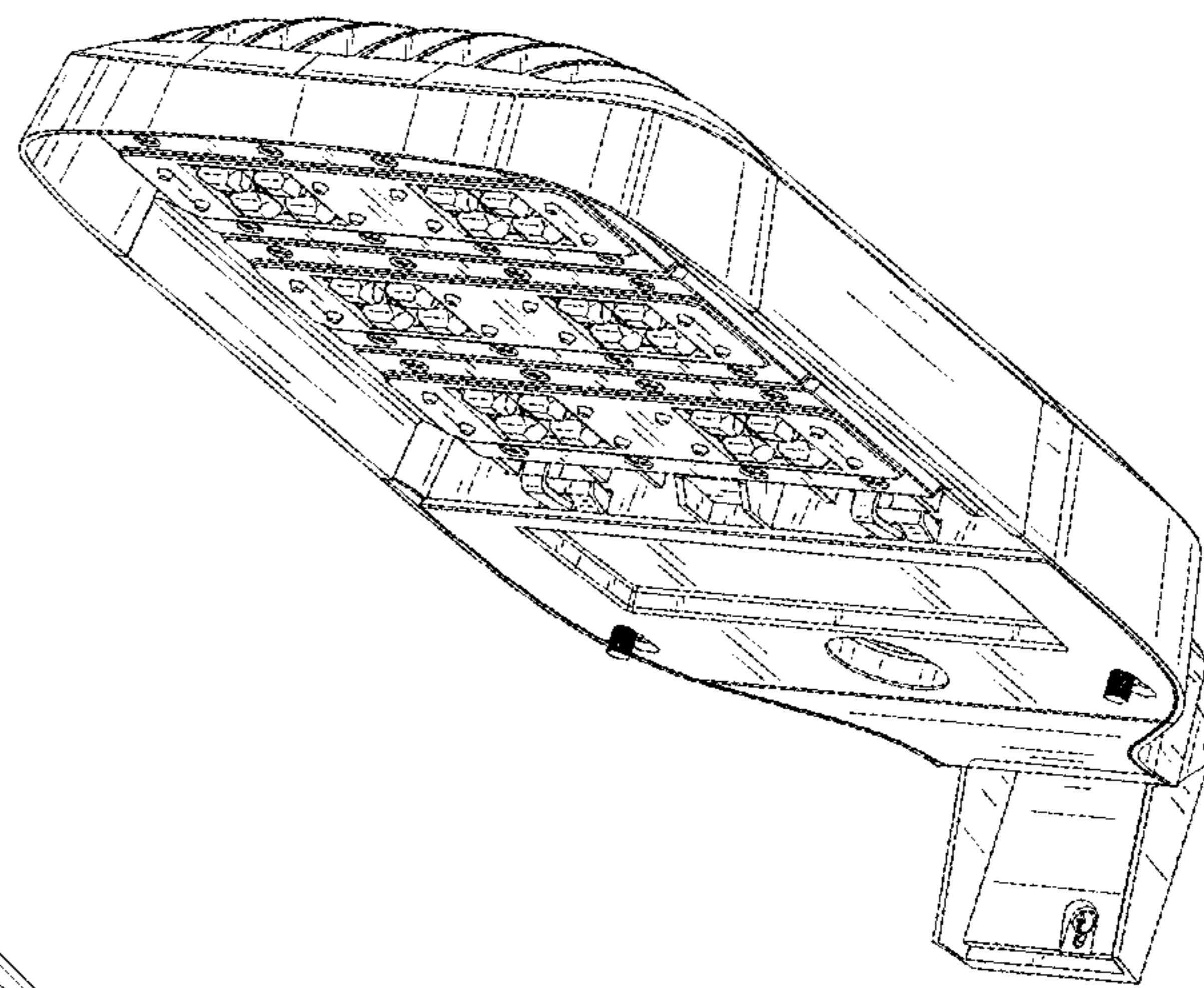


FIG. 2

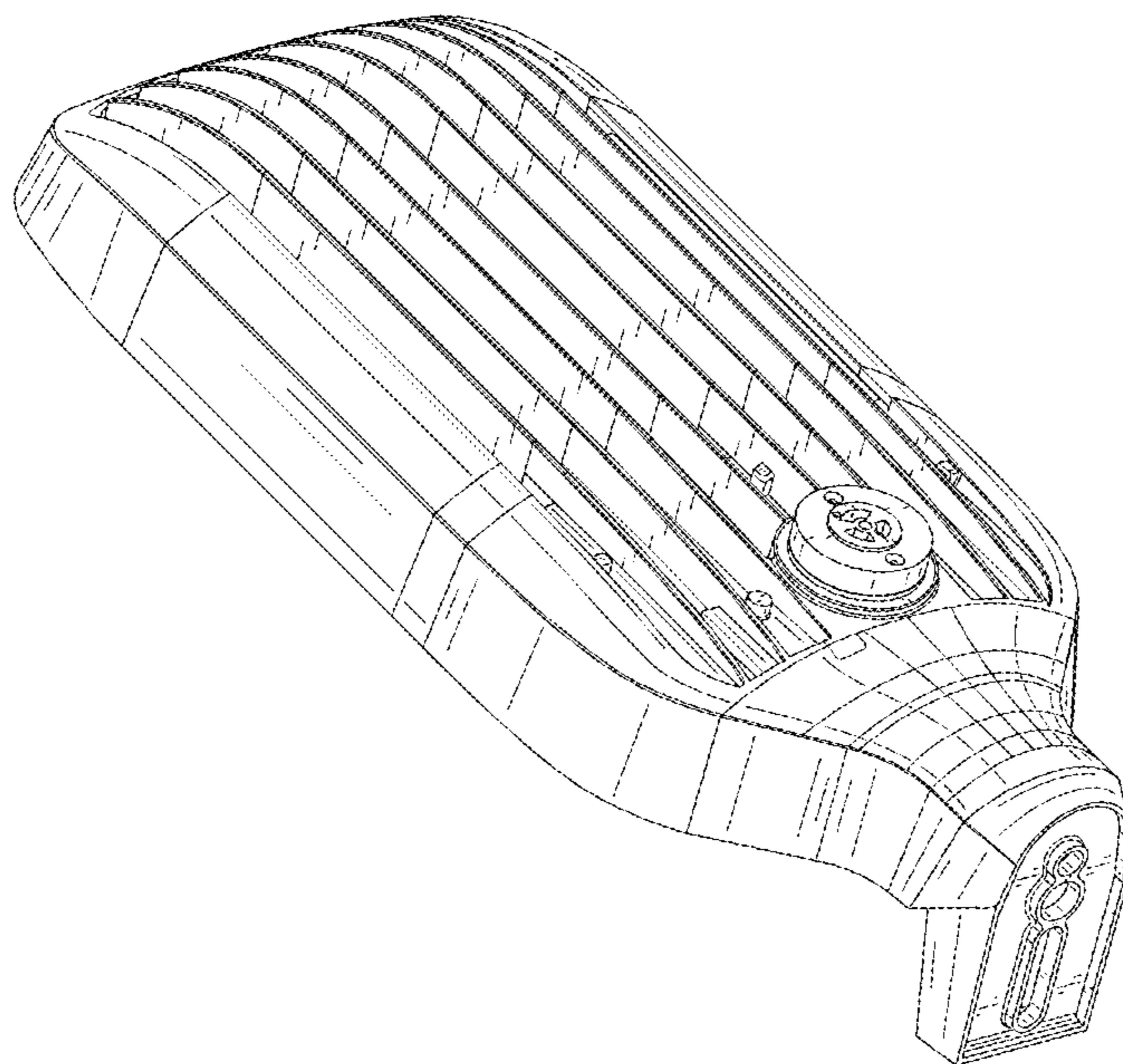


FIG. 3

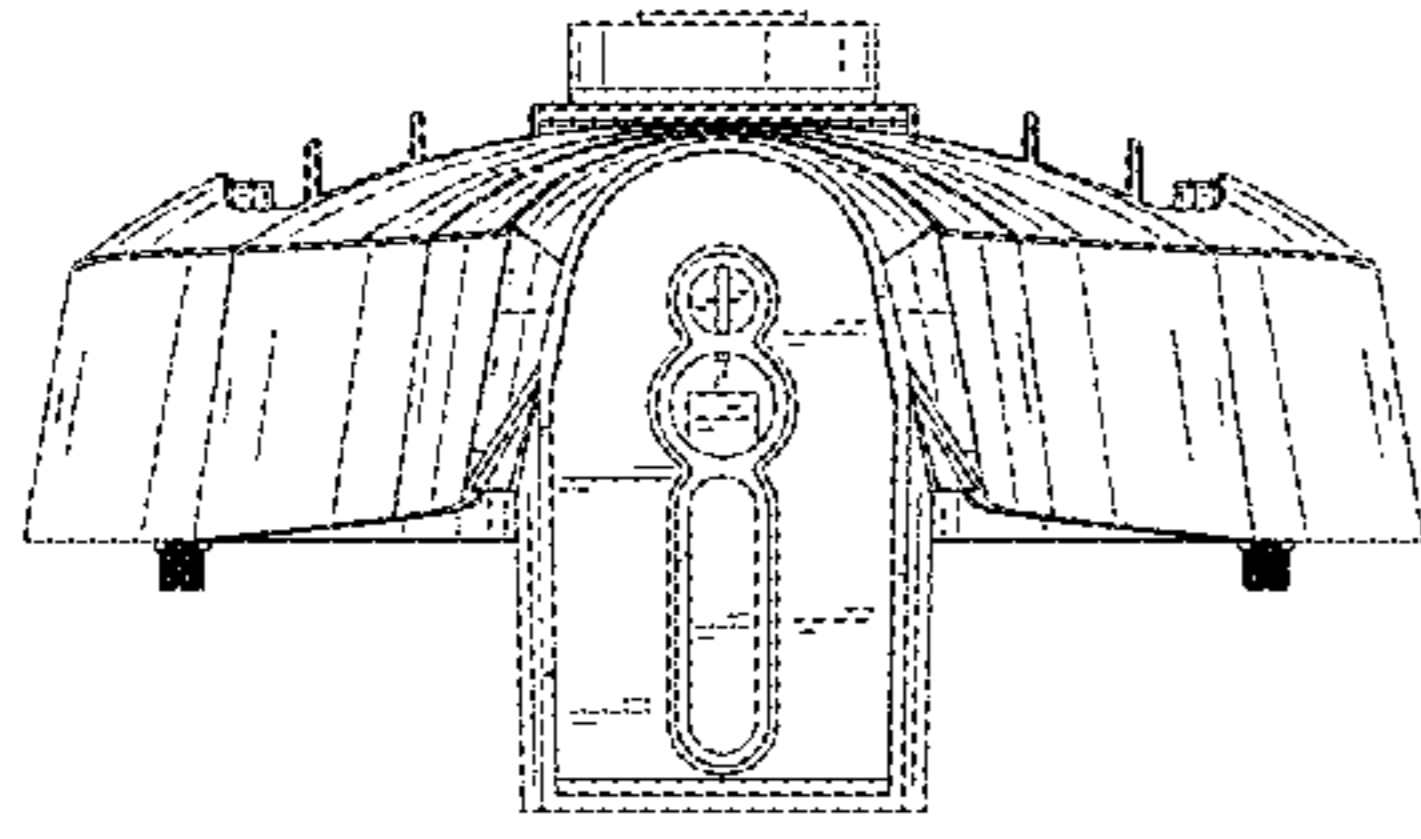


FIG. 4

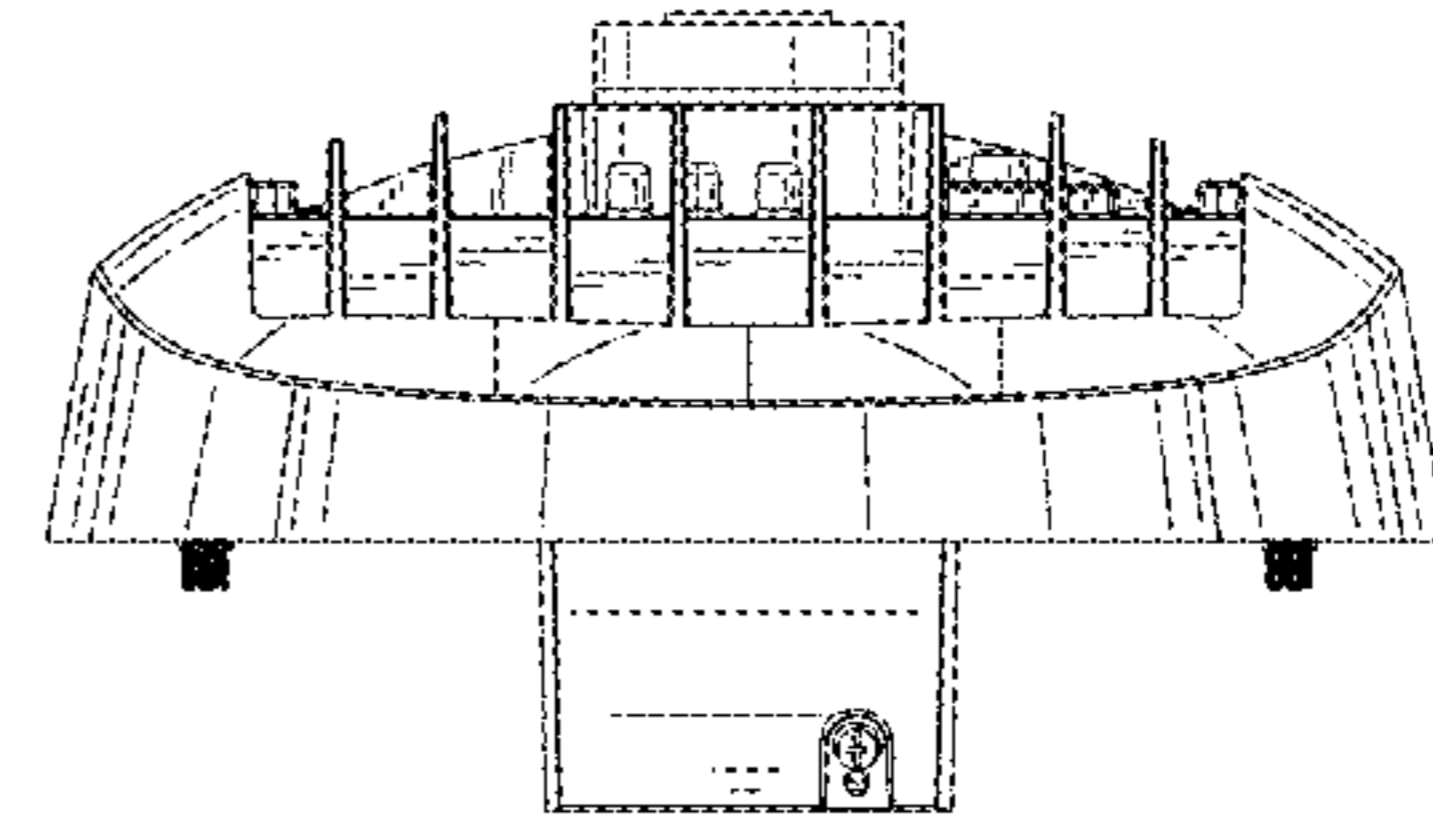


FIG. 5

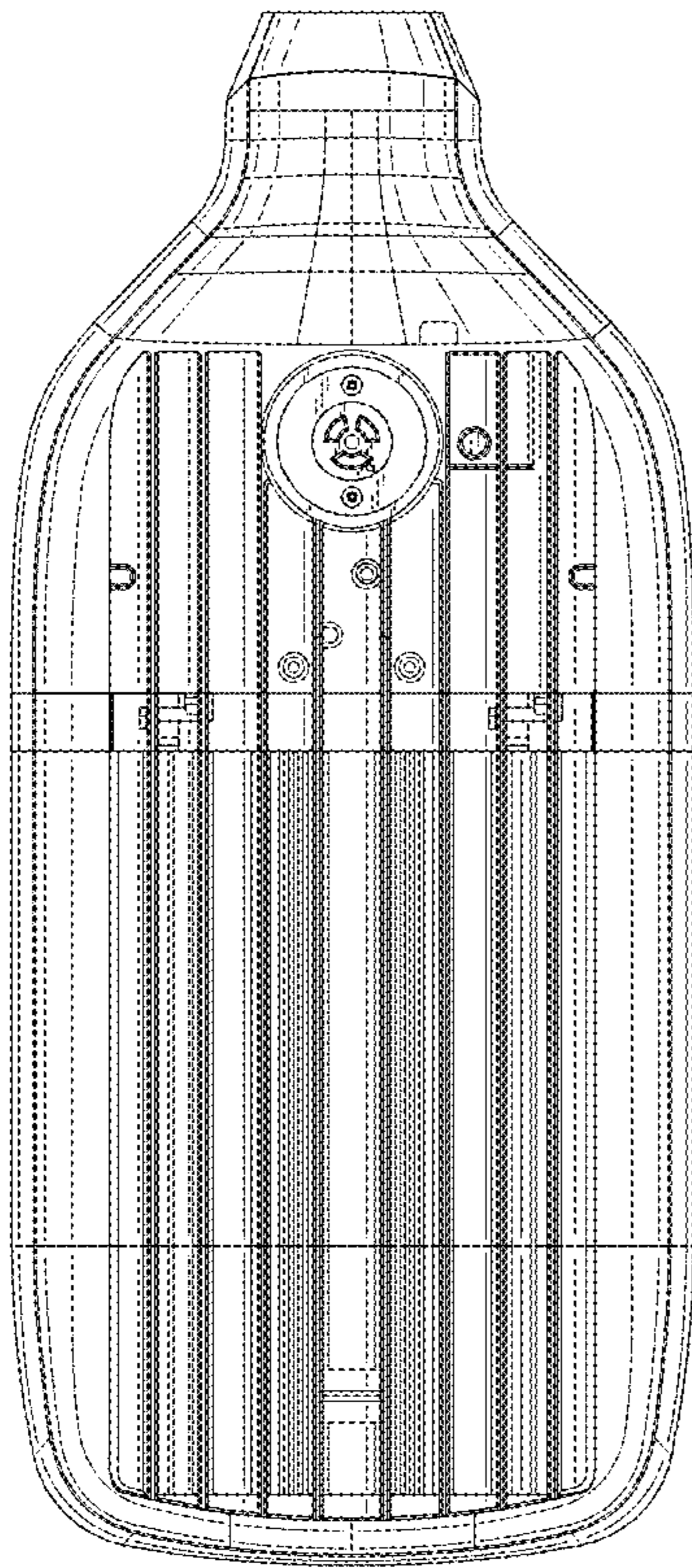


FIG. 6

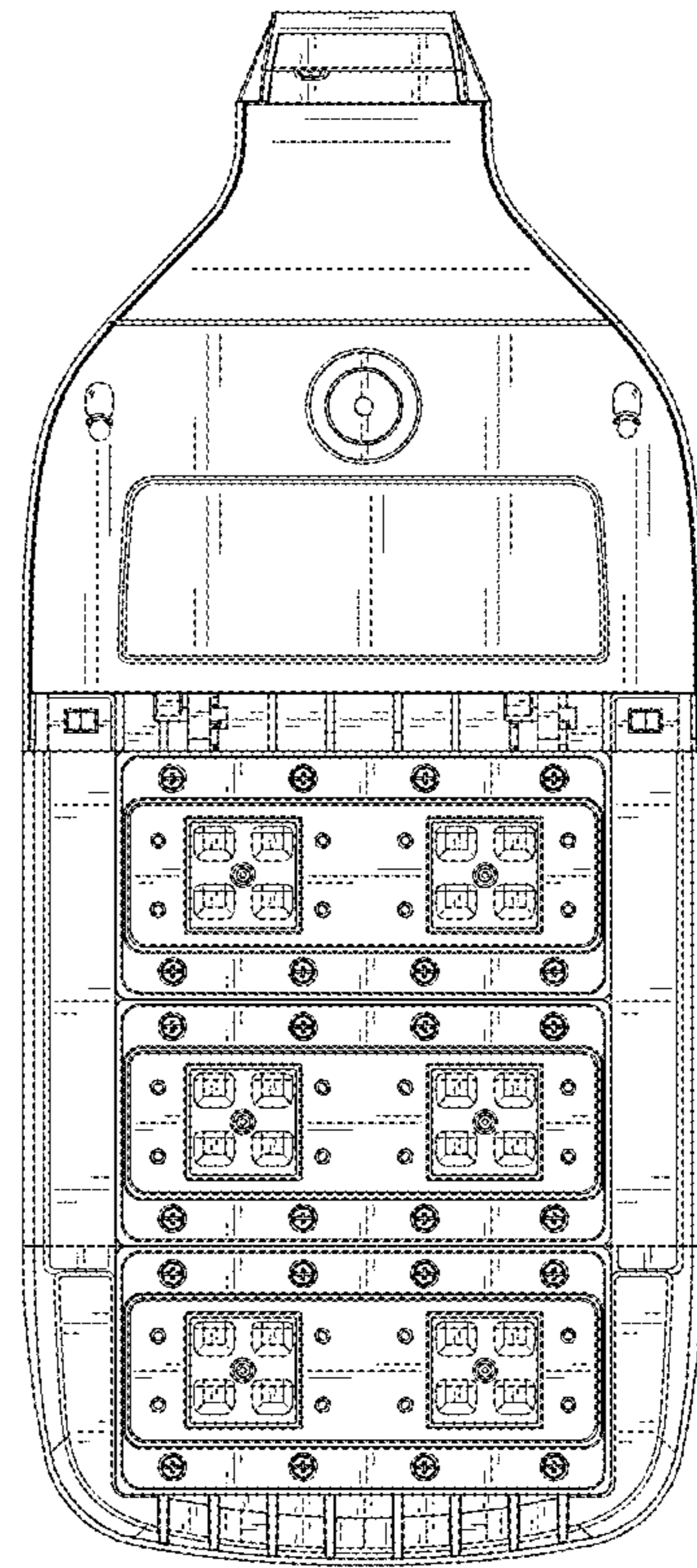


FIG. 7

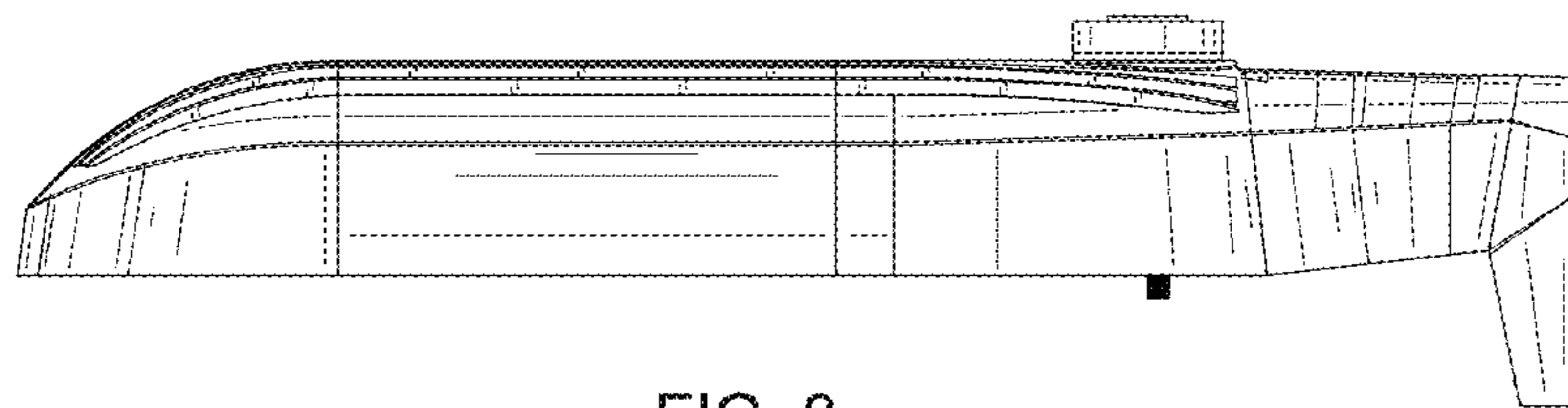


FIG. 8

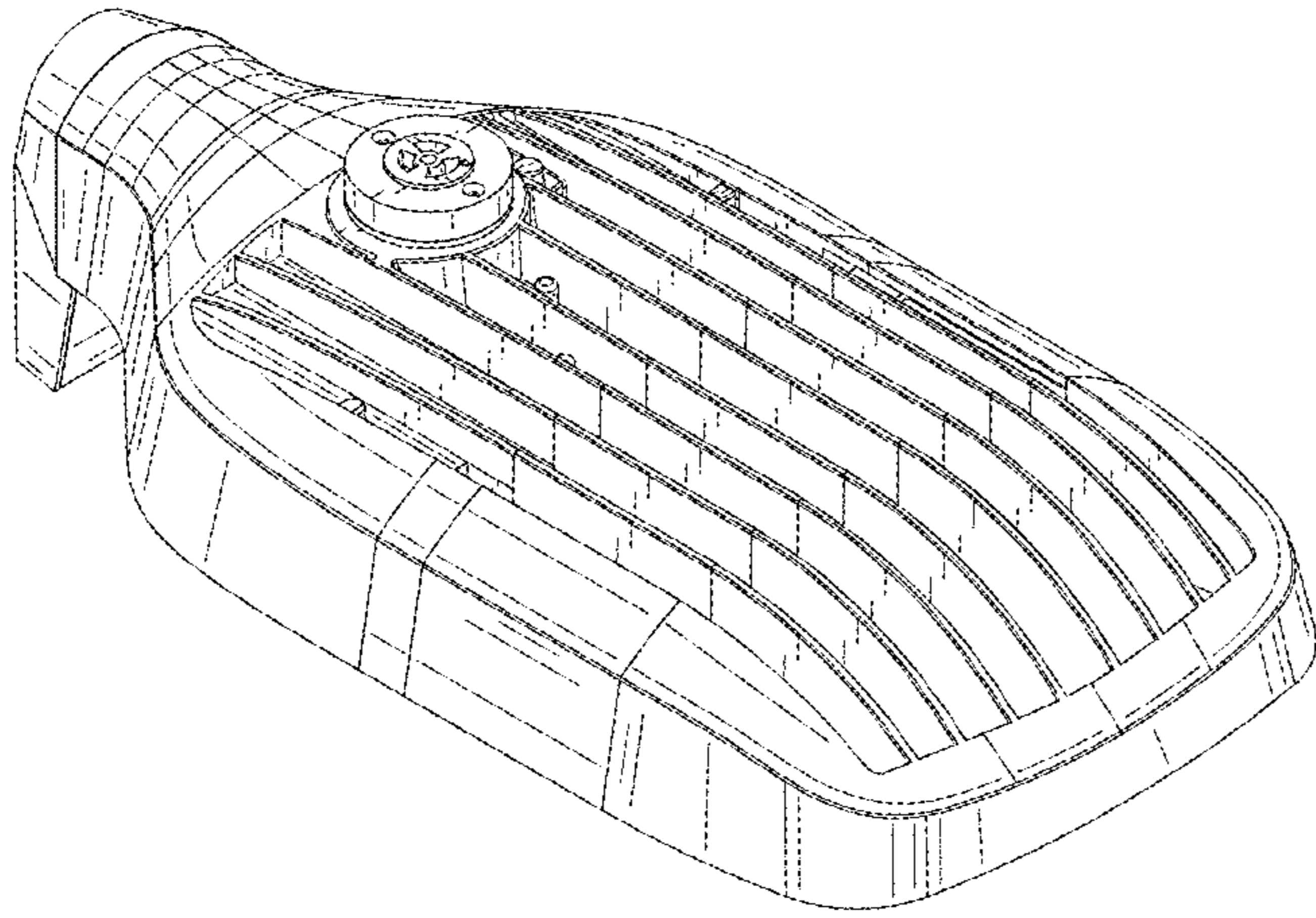


FIG. 9

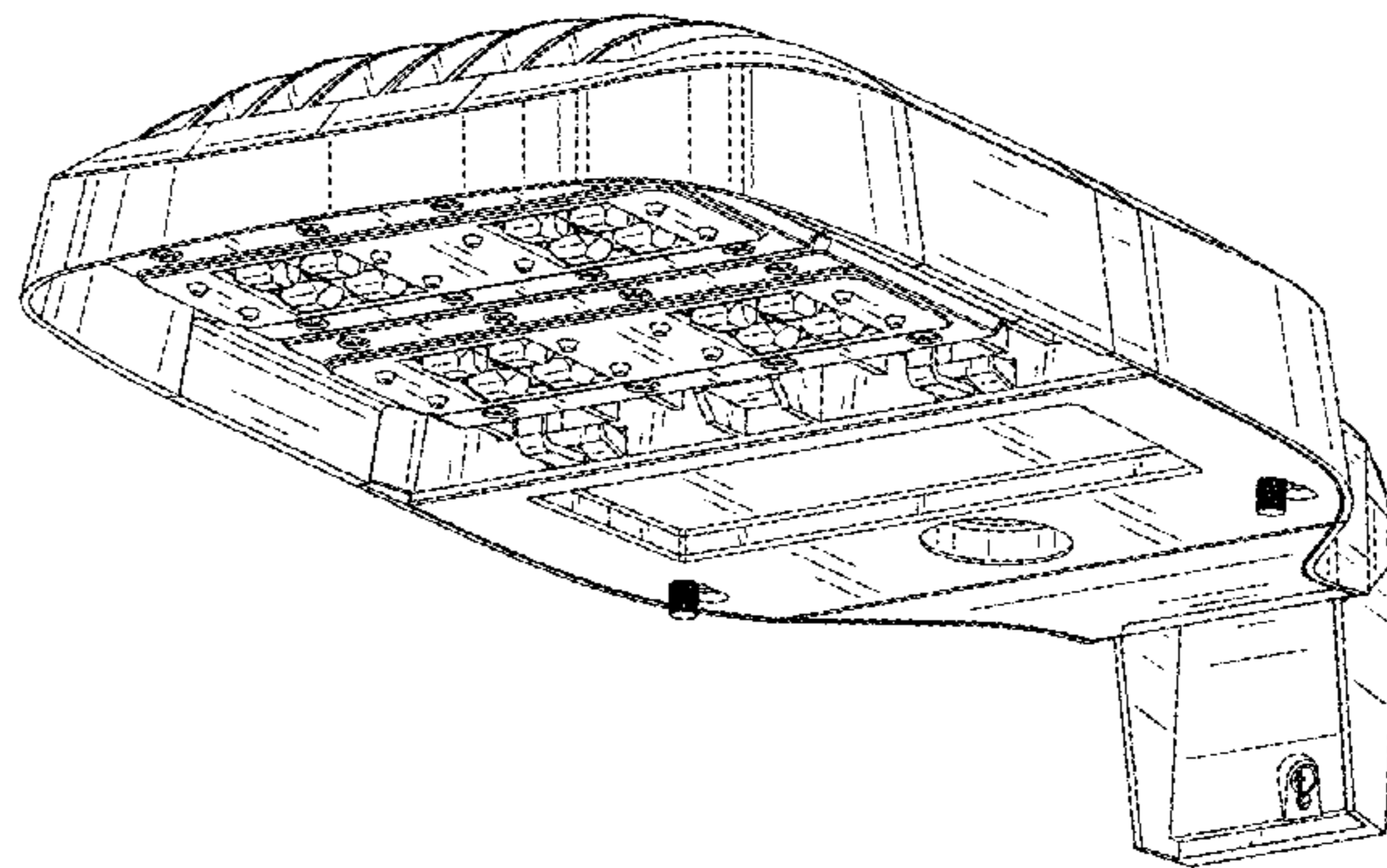


FIG. 10

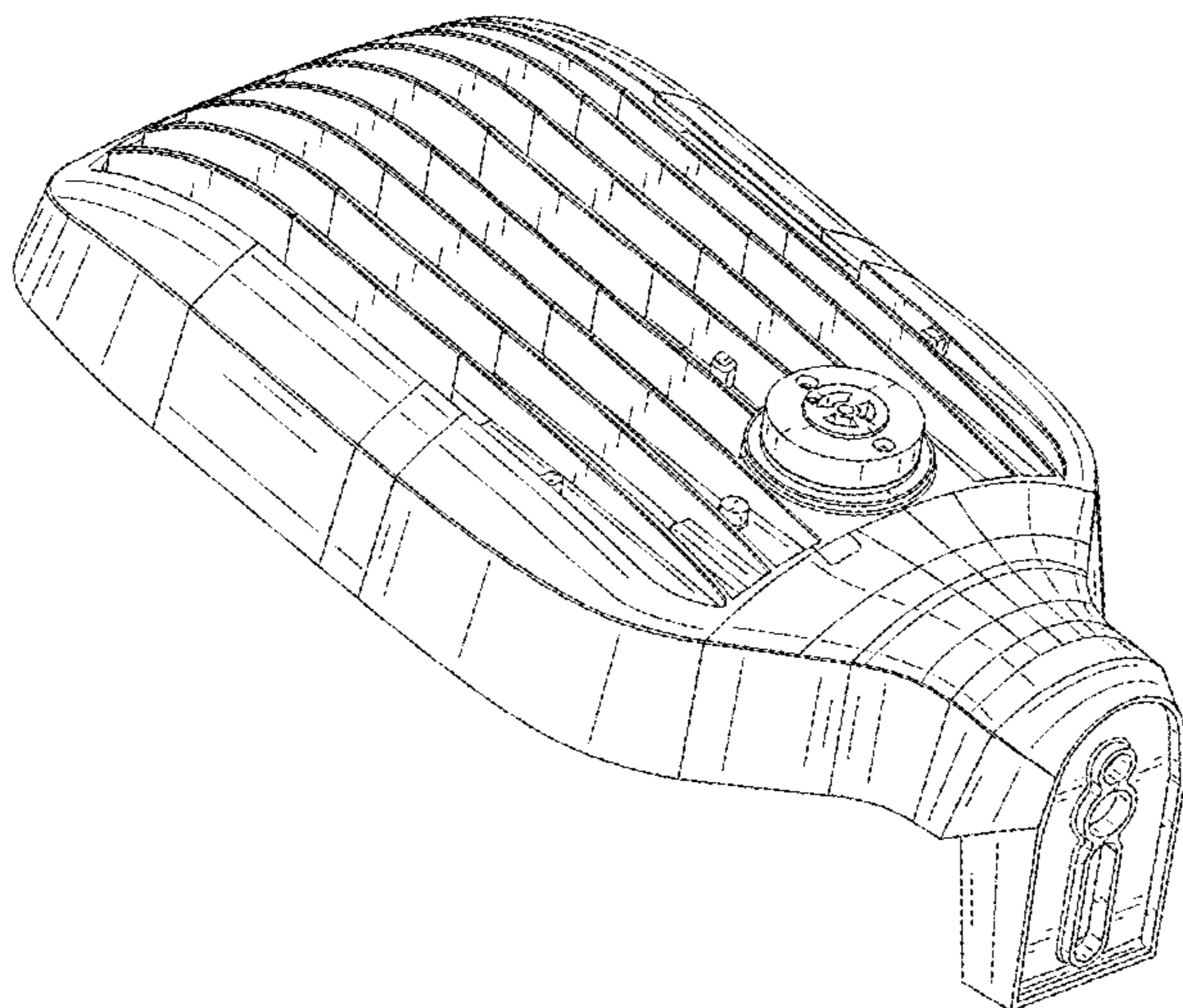


FIG. 11

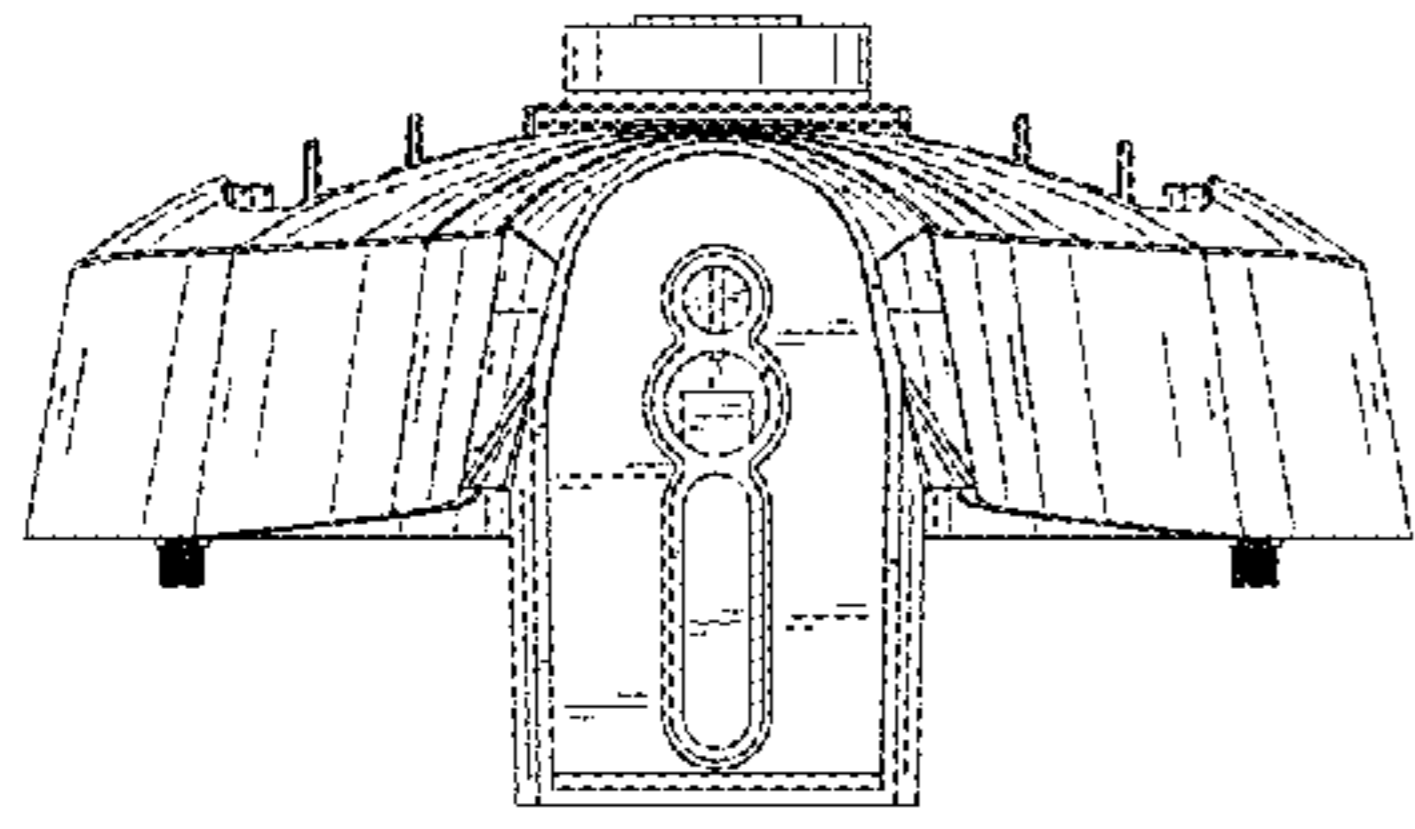


FIG. 12

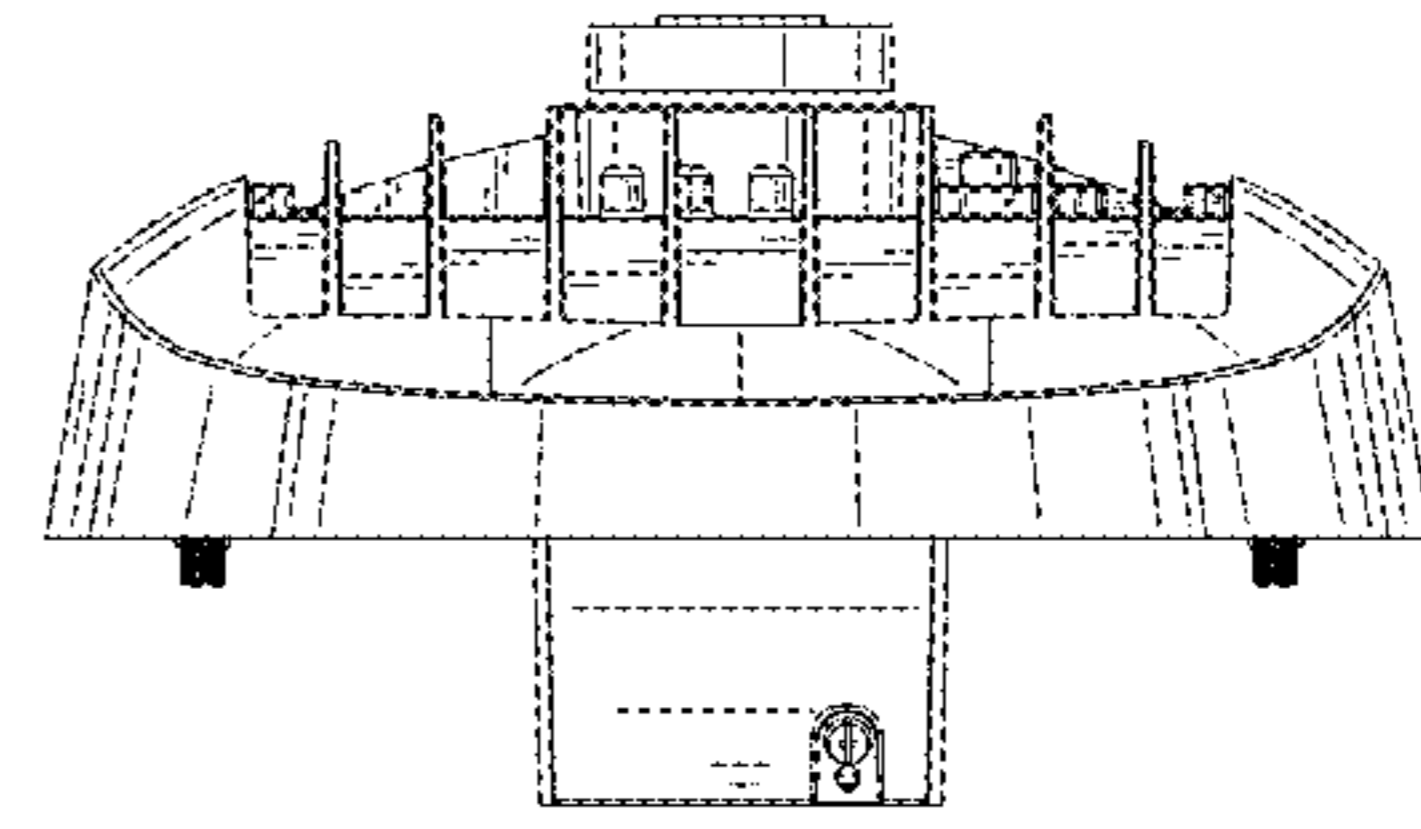


FIG. 13

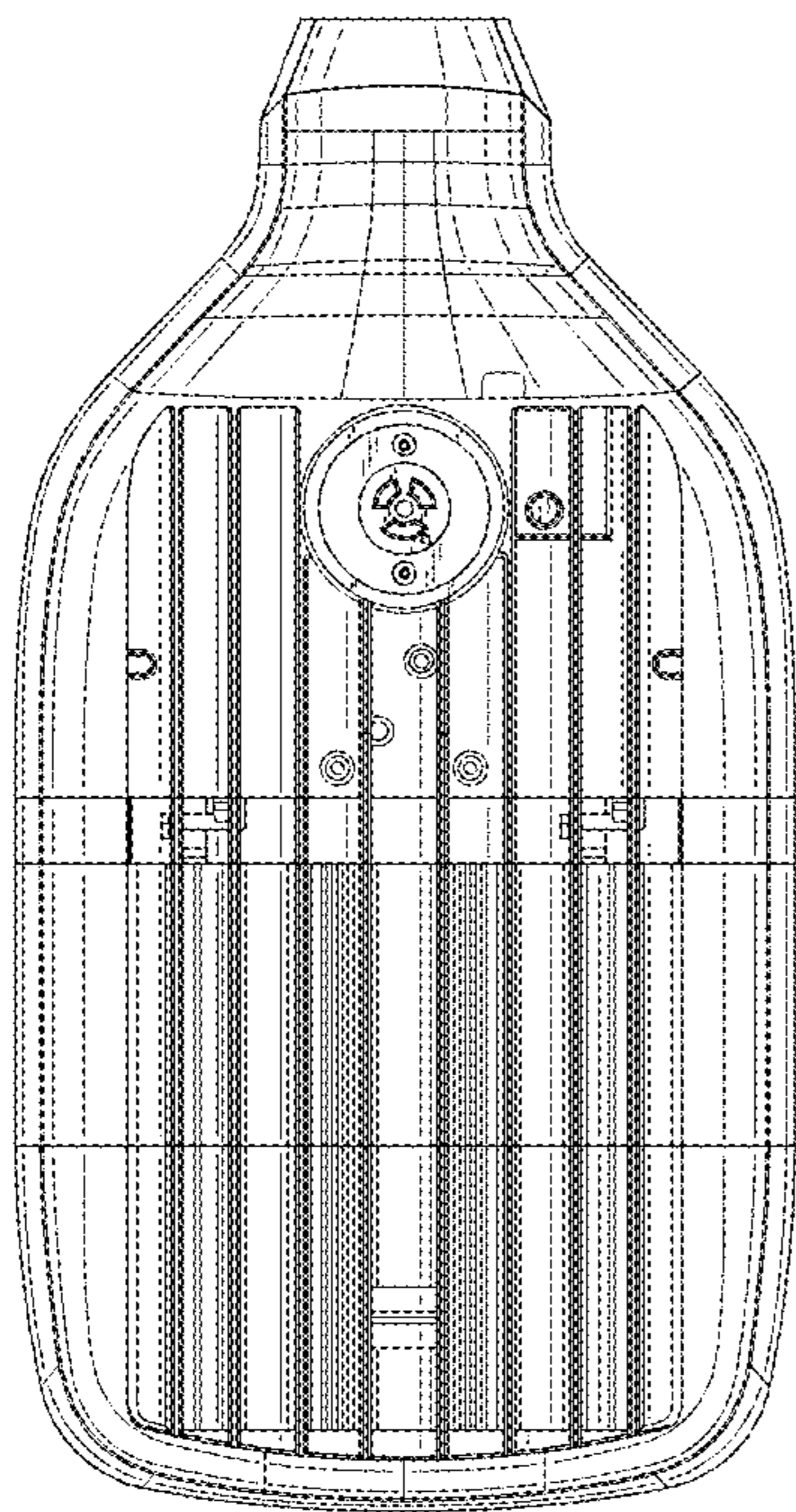


FIG. 14

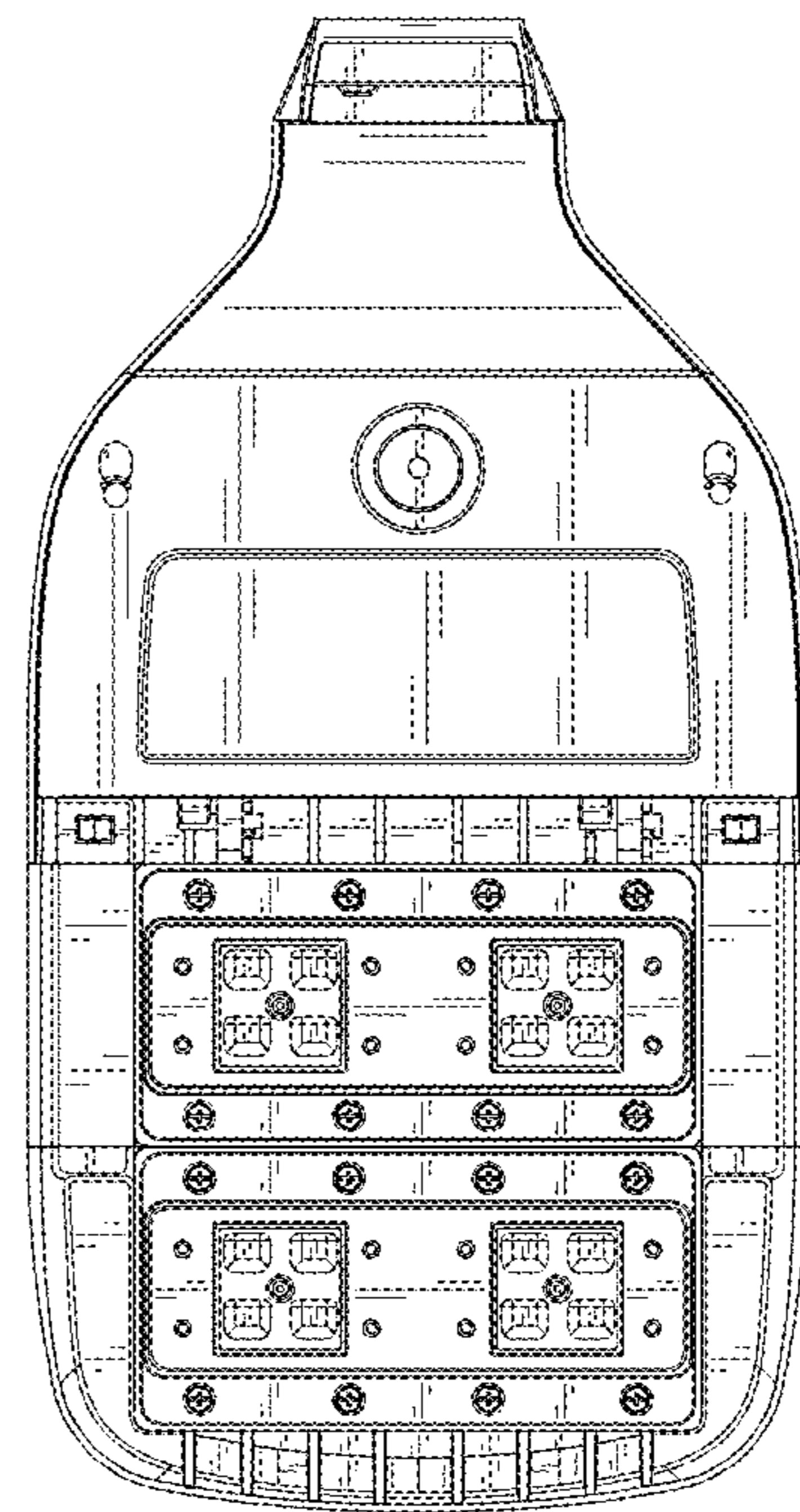


FIG. 15

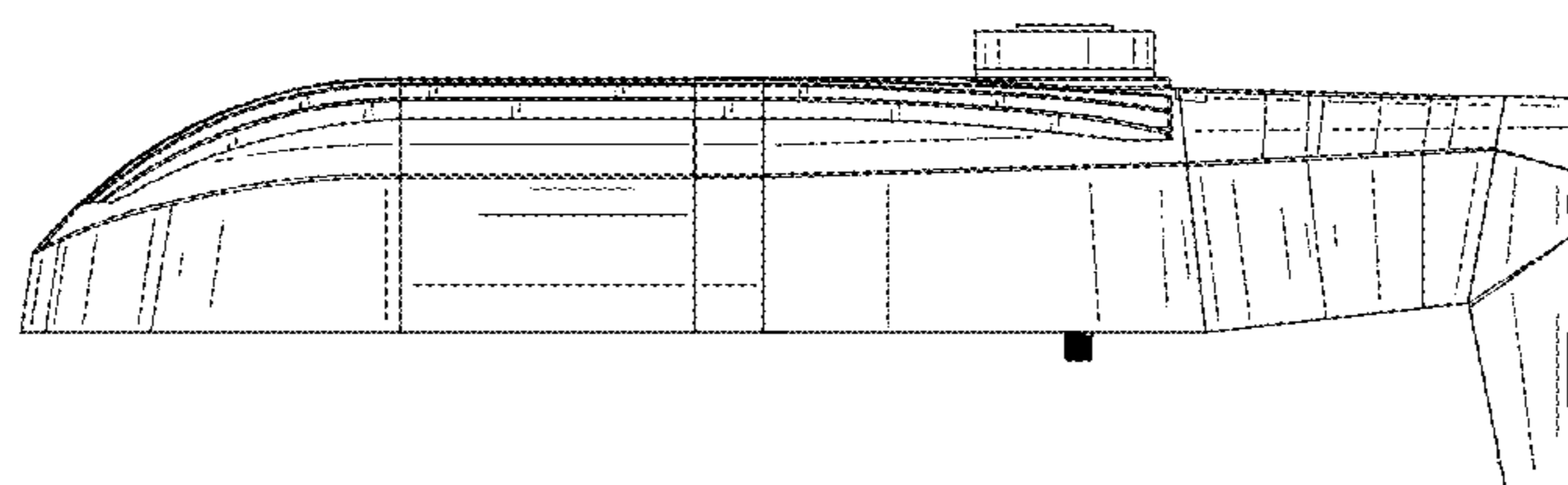


FIG. 16

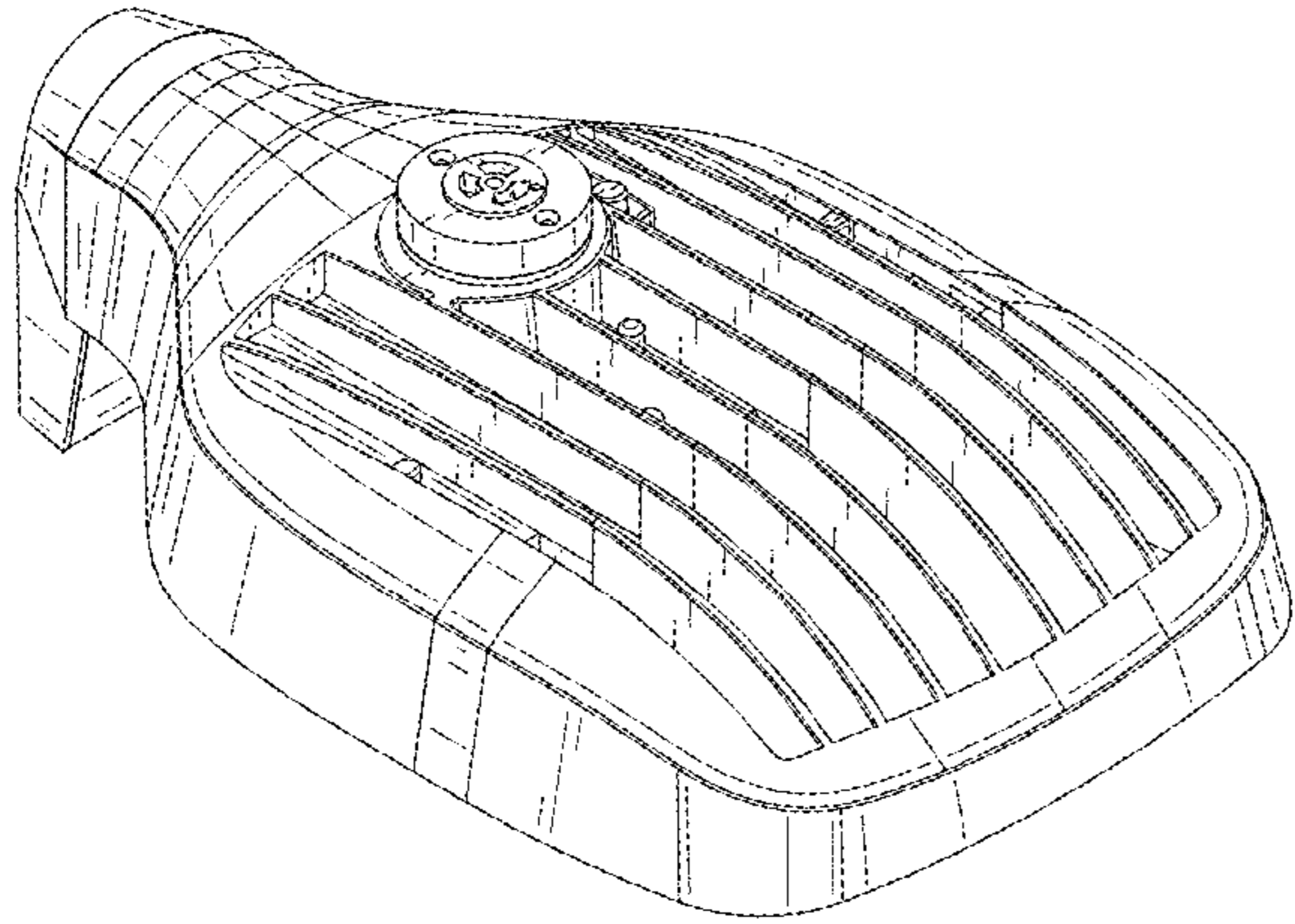


FIG. 17

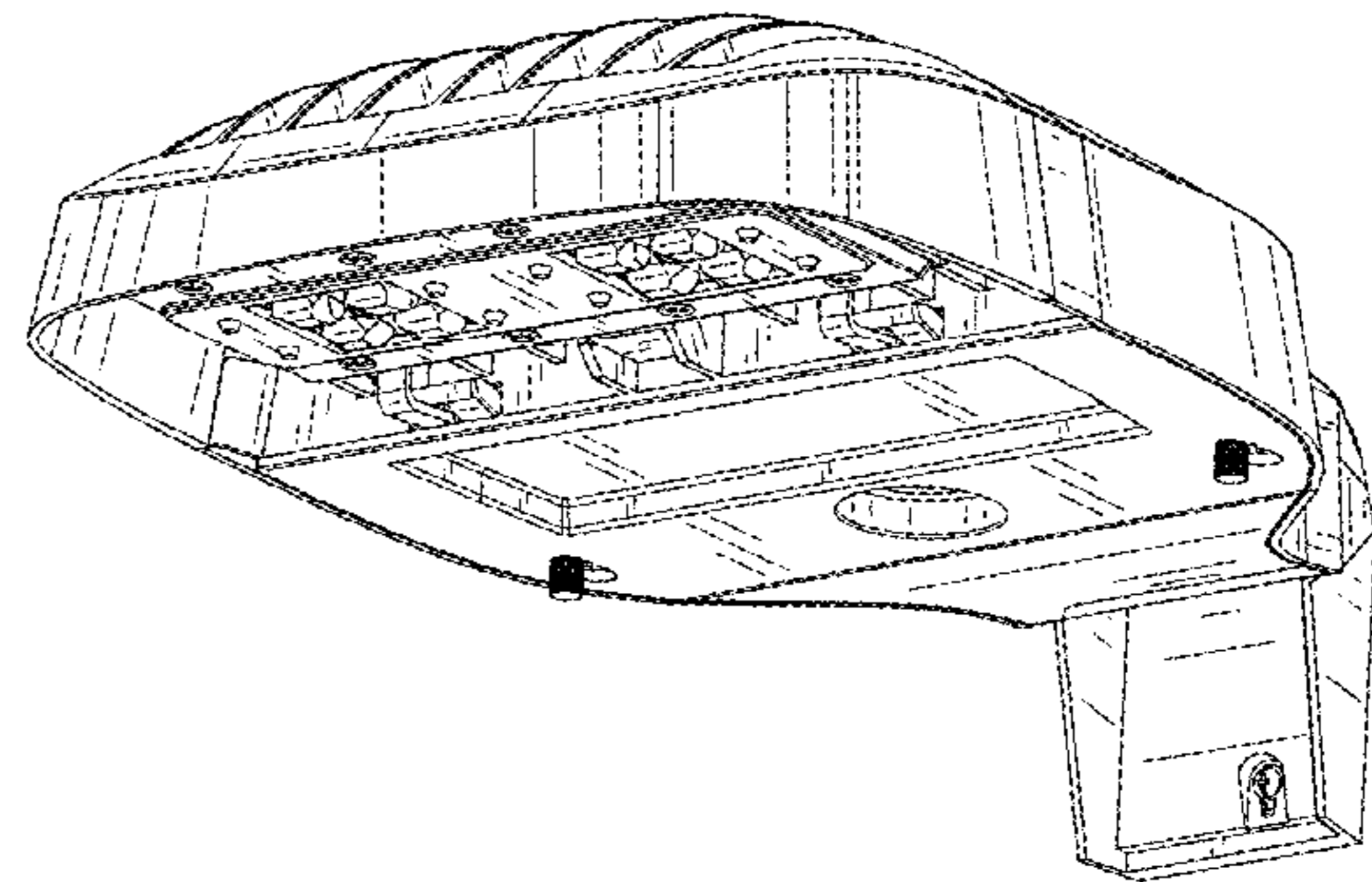


FIG. 18

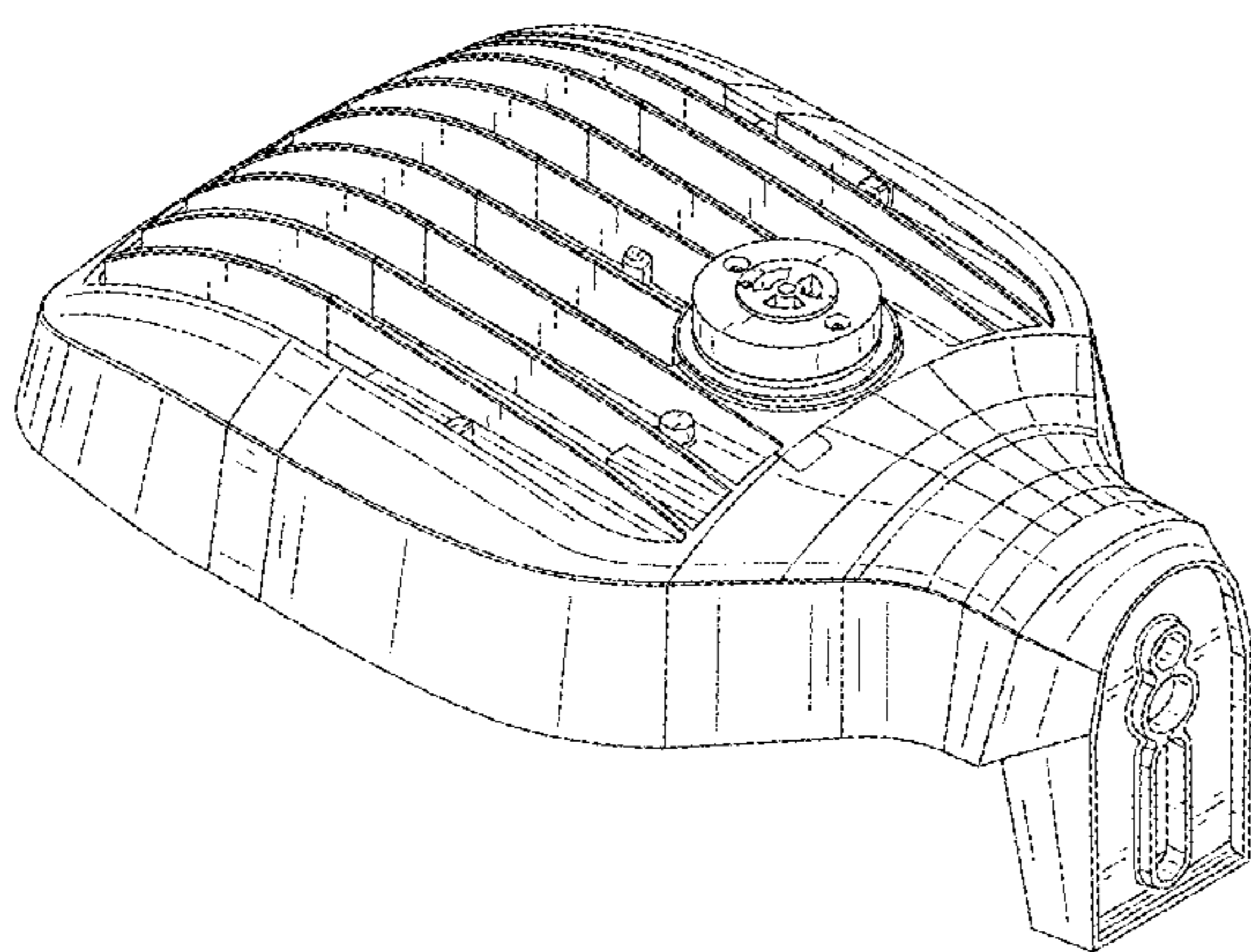


FIG. 19

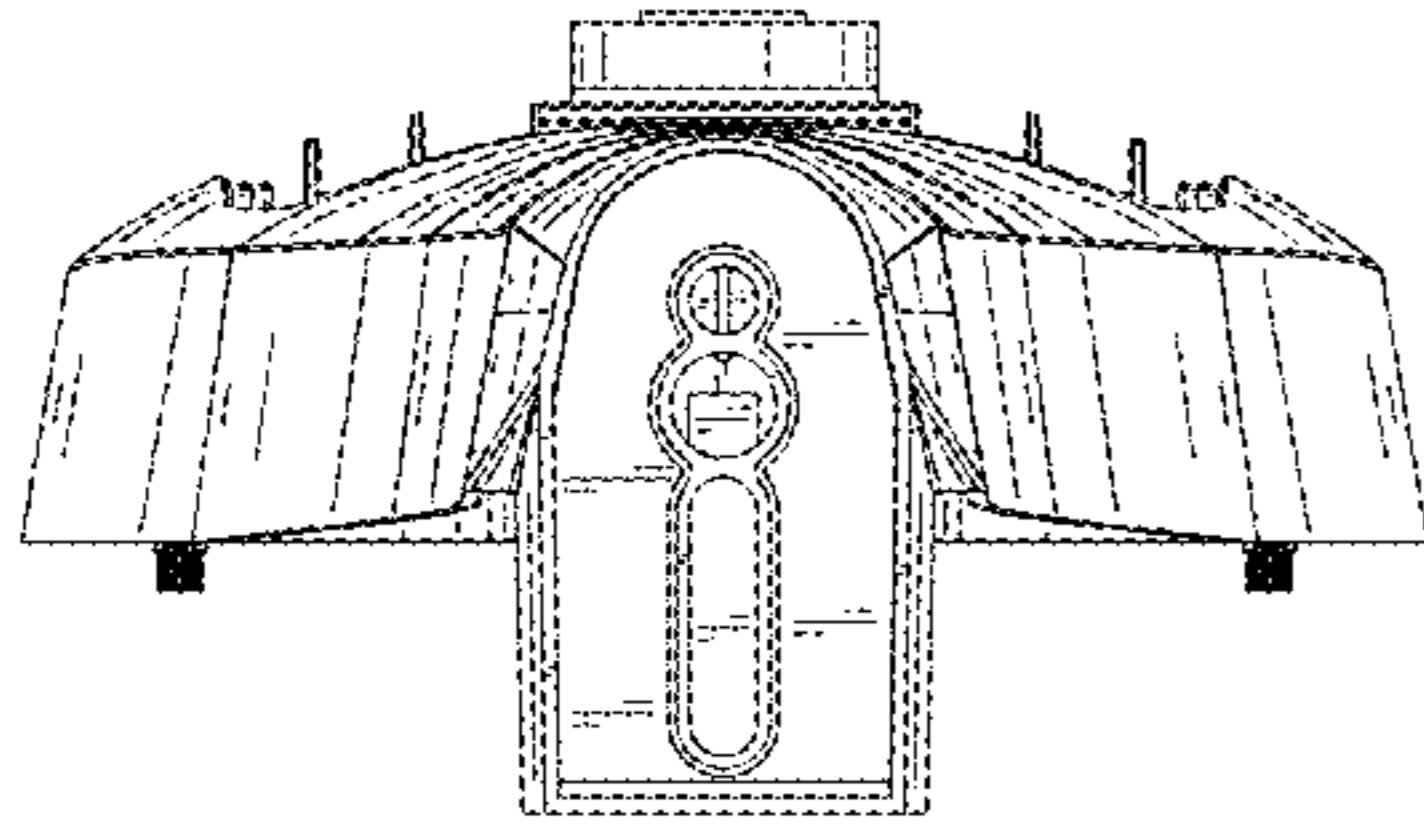


FIG. 20

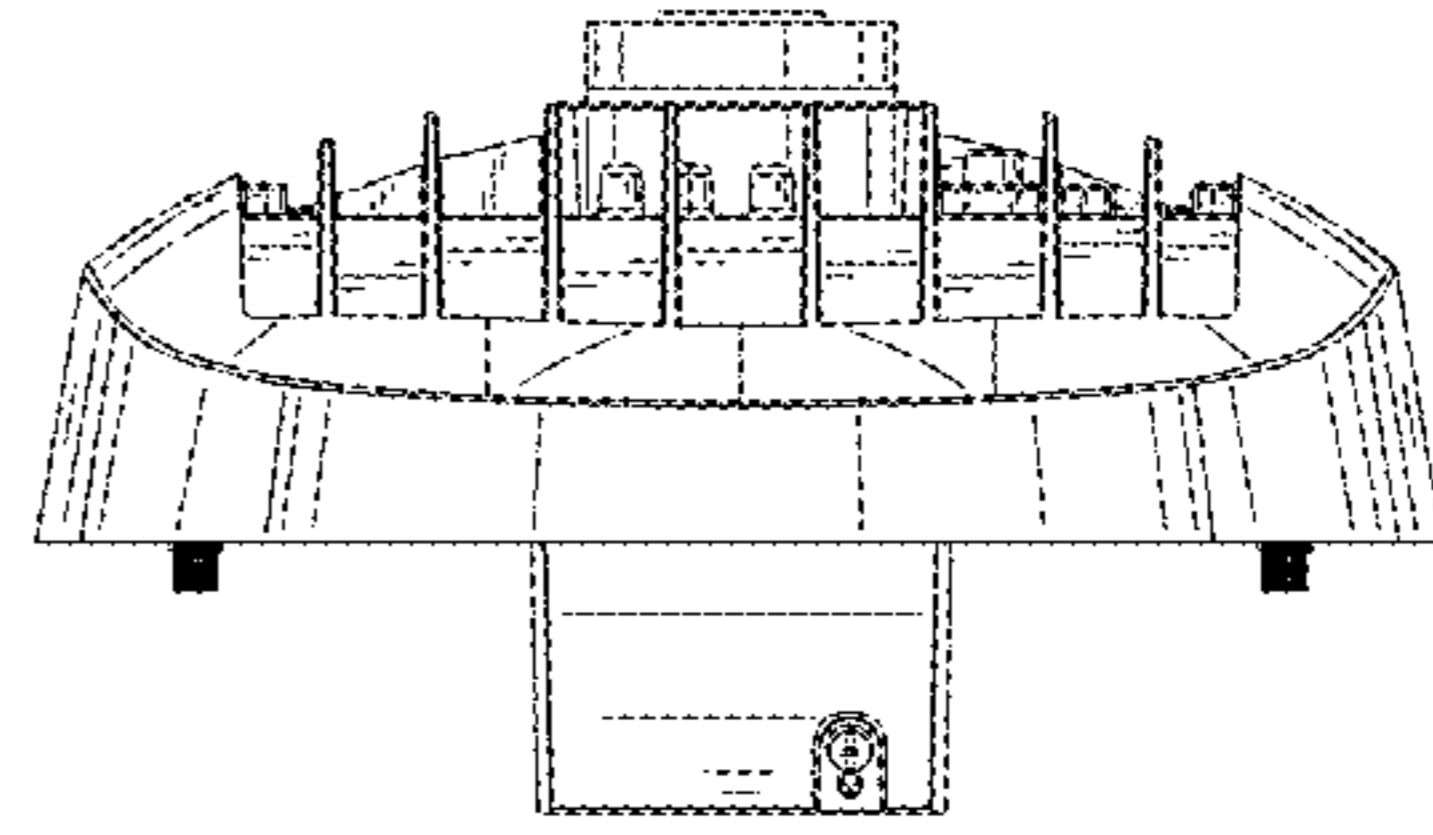


FIG. 21

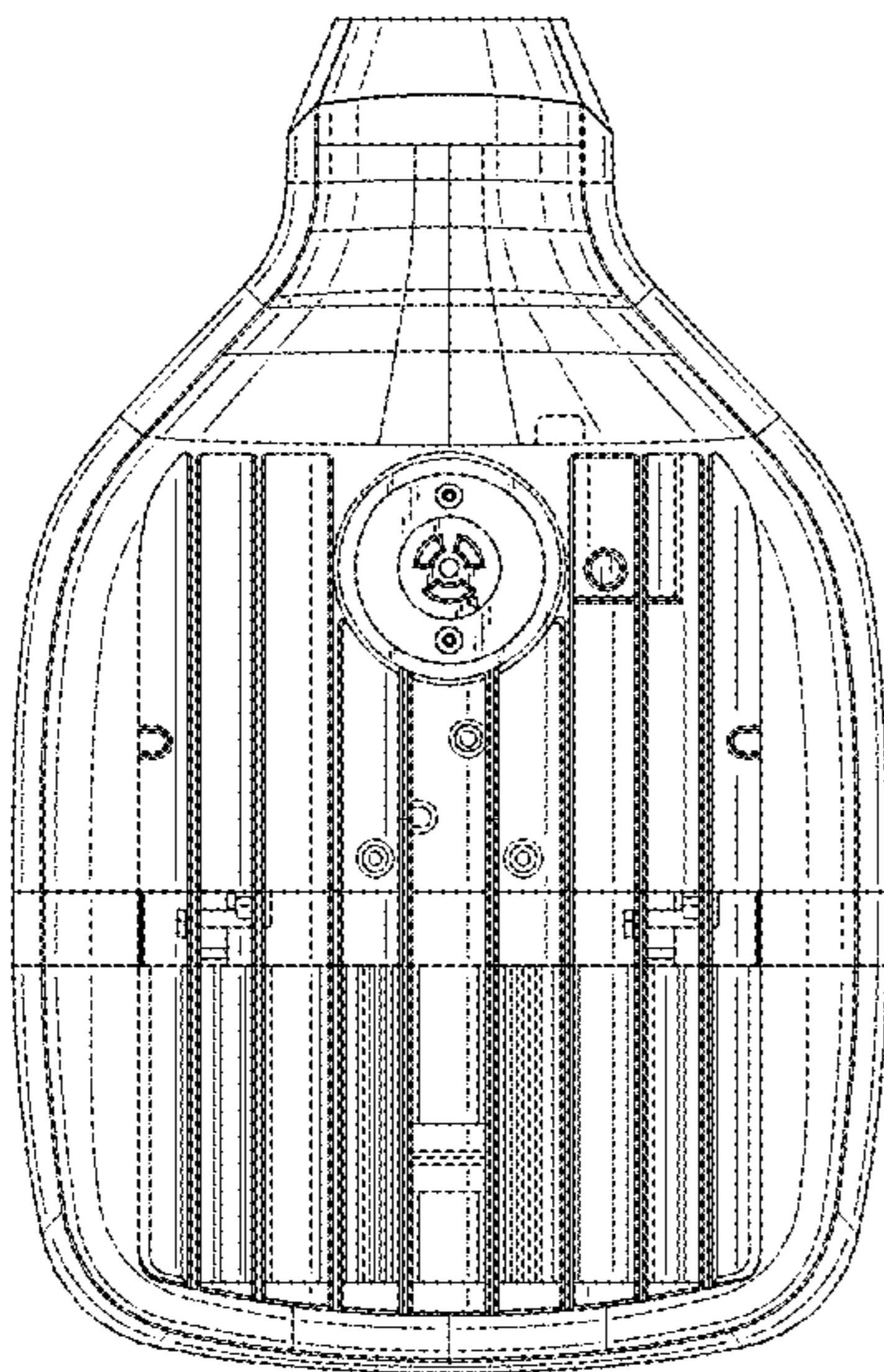


FIG. 22

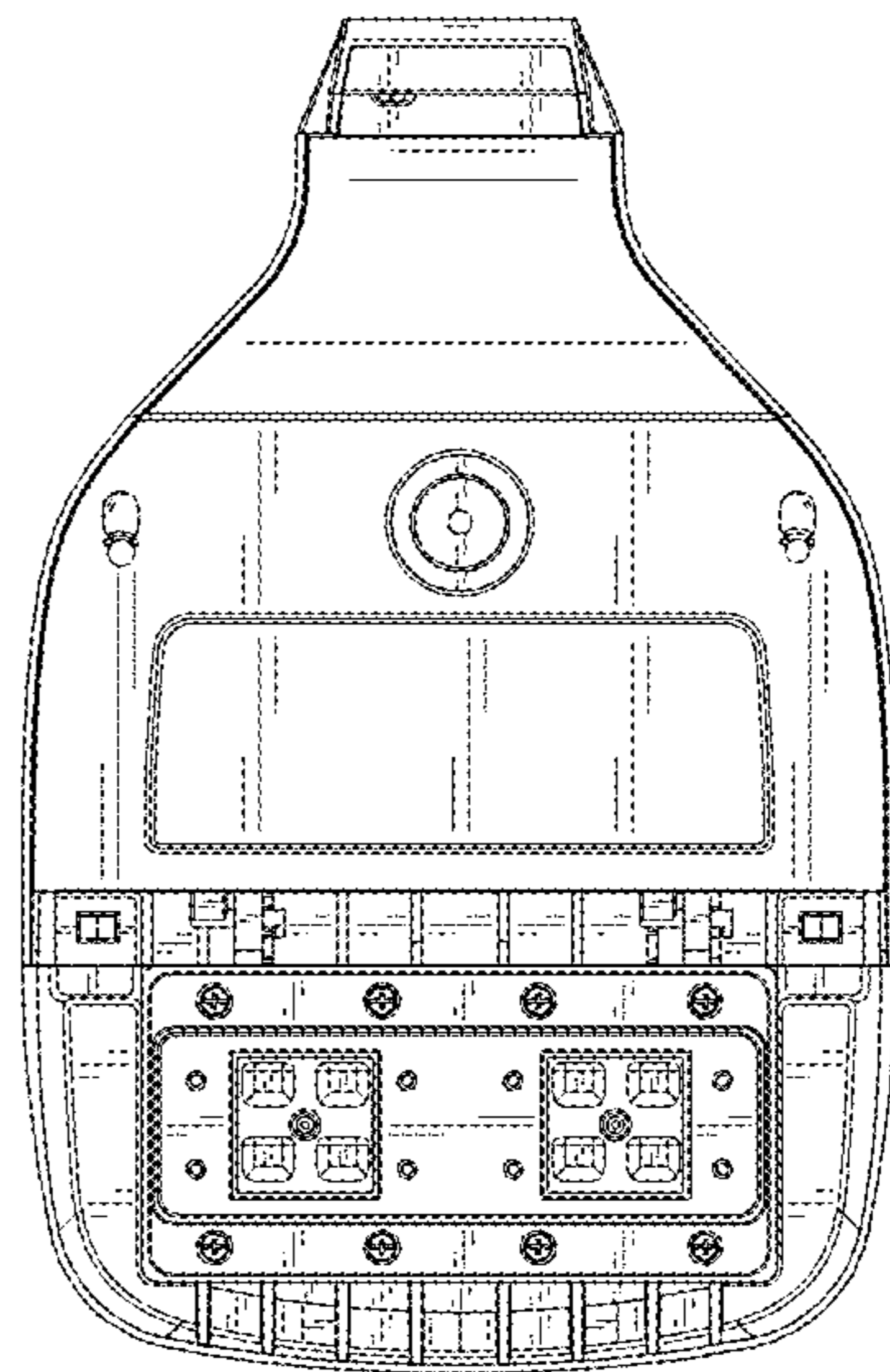


FIG. 23

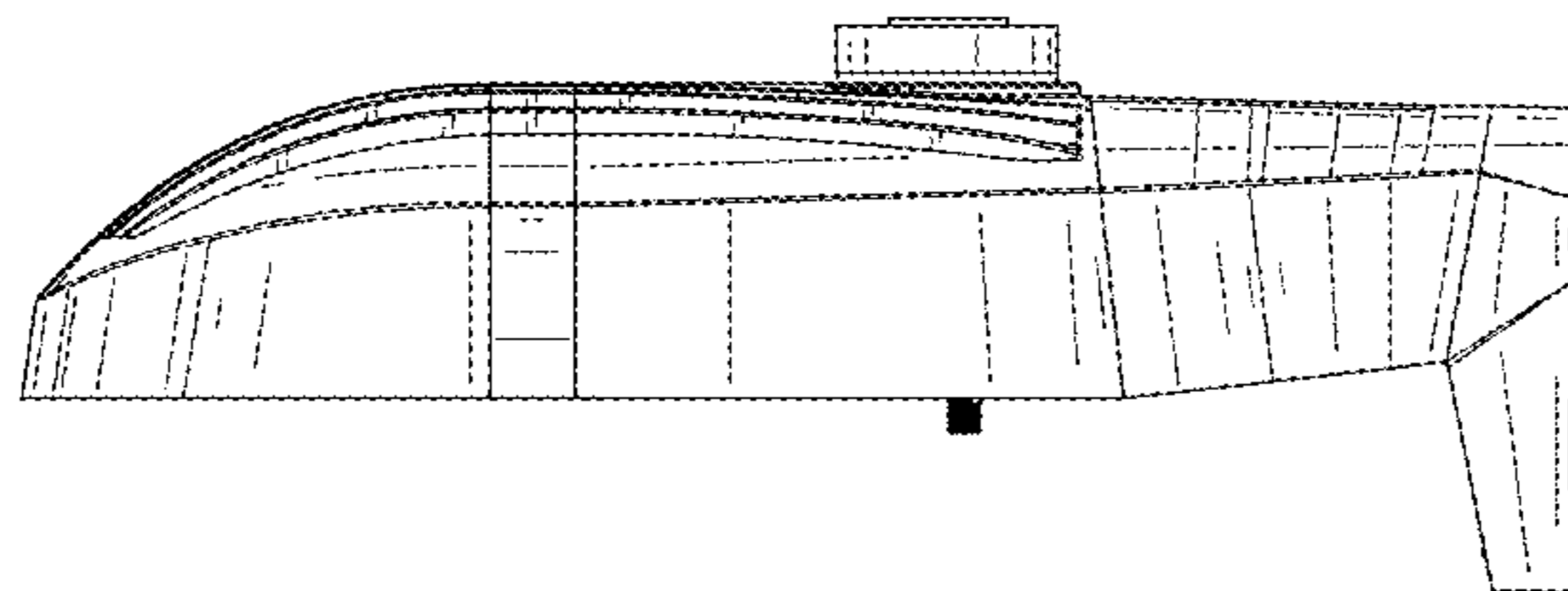


FIG. 24