



US00D776858S

(12) **United States Design Patent**
Ye

(10) **Patent No.:** **US D776,858 S**
(45) **Date of Patent:** **** Jan. 17, 2017**

(54) **LED AREA LIGHTING FIXTURE**

(71) Applicant: **Jishuang Ye**, Shanghai (CN)

(72) Inventor: **Jishuang Ye**, Shanghai (CN)

(**) Term: **14 Years**

(21) Appl. No.: **29/523,141**

(22) Filed: **Apr. 7, 2015**

(51) **LOC (10) Cl.** **26-03**

(52) **U.S. Cl.**
USPC **D26/92**

(58) **Field of Classification Search**
USPC D26/71, 72, 87, 92
CPC F21S 8/03; F21S 8/033; F21S 8/036;
F21S 13/02; F21V 29/76
See application file for complete search history.

(56) **References Cited**

U.S. PATENT DOCUMENTS

D425,647 S	*	5/2000	Leen	D26/71
D557,853 S	*	12/2007	Sandell	D26/71
D666,351 S	*	8/2012	Tsao	D26/71
D690,454 S	*	9/2013	Yu	D26/92
D693,511 S	*	11/2013	Larsen	D26/71
D693,512 S	*	11/2013	Larsen	D26/71
D694,945 S	*	12/2013	Yu	D26/92
D694,946 S	*	12/2013	Yu	D26/92
D703,367 S	*	4/2014	Tsao	D26/92
D712,587 S	*	9/2014	Yu	D26/92

FOREIGN PATENT DOCUMENTS

CN	302437112	5/2013
CN	302490644	7/2013
CN	302553762	8/2013
CN	302571161	9/2013
CN	302580407	9/2013
CN	302696638	12/2013
CN	302737478	2/2014
CN	302821258	5/2014
CN	302968418	10/2014
CN	303021647	12/2014

* cited by examiner

Primary Examiner — Clare E Heflin

(74) *Attorney, Agent, or Firm* — Rabin & Berdo, P.C.

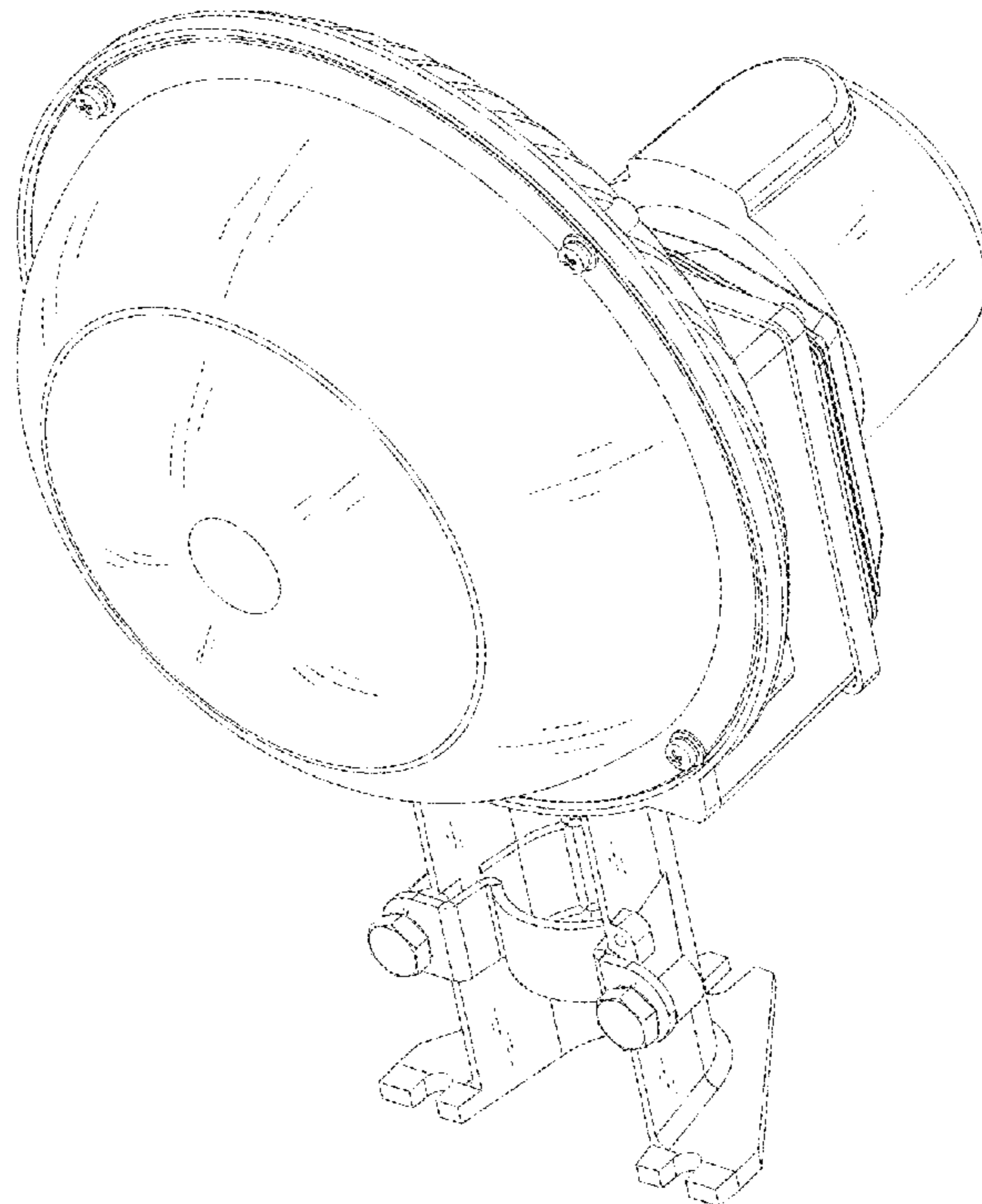
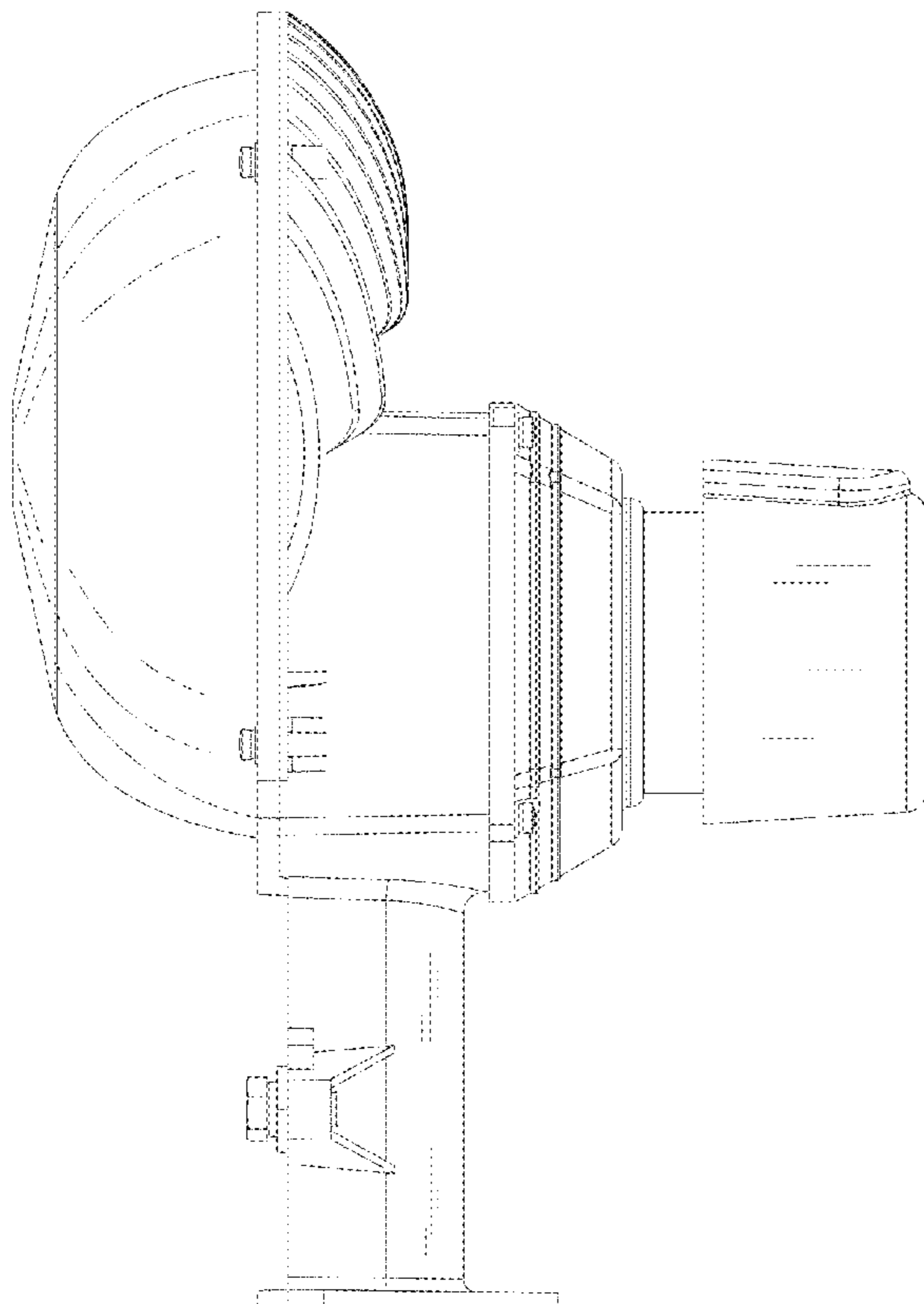
(57) **CLAIM**

The ornamental design for an LED area lighting fixture, as shown and described.

DESCRIPTION

FIG. 1 is a front view of the LED area lighting fixture showing my new design;
FIG. 2 is a rear view thereof;
FIG. 3 is a left side view thereof;
FIG. 4 is a right side view thereof;
FIG. 5 is a top plan view thereof;
FIG. 6 is a bottom plan view thereof; and,
FIG. 7 is a perspective view thereof.

1 Claim, 6 Drawing Sheets



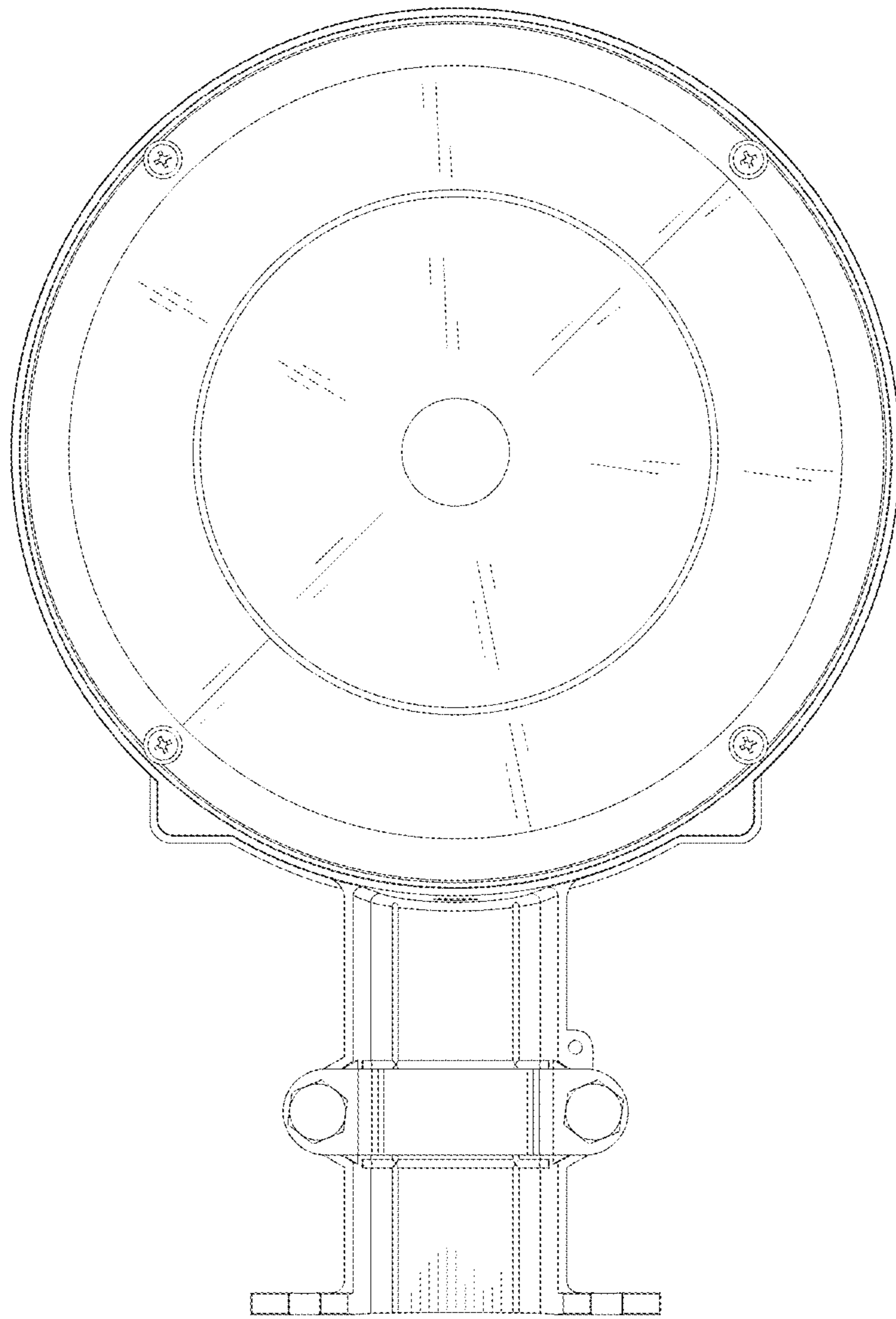


Fig. 1

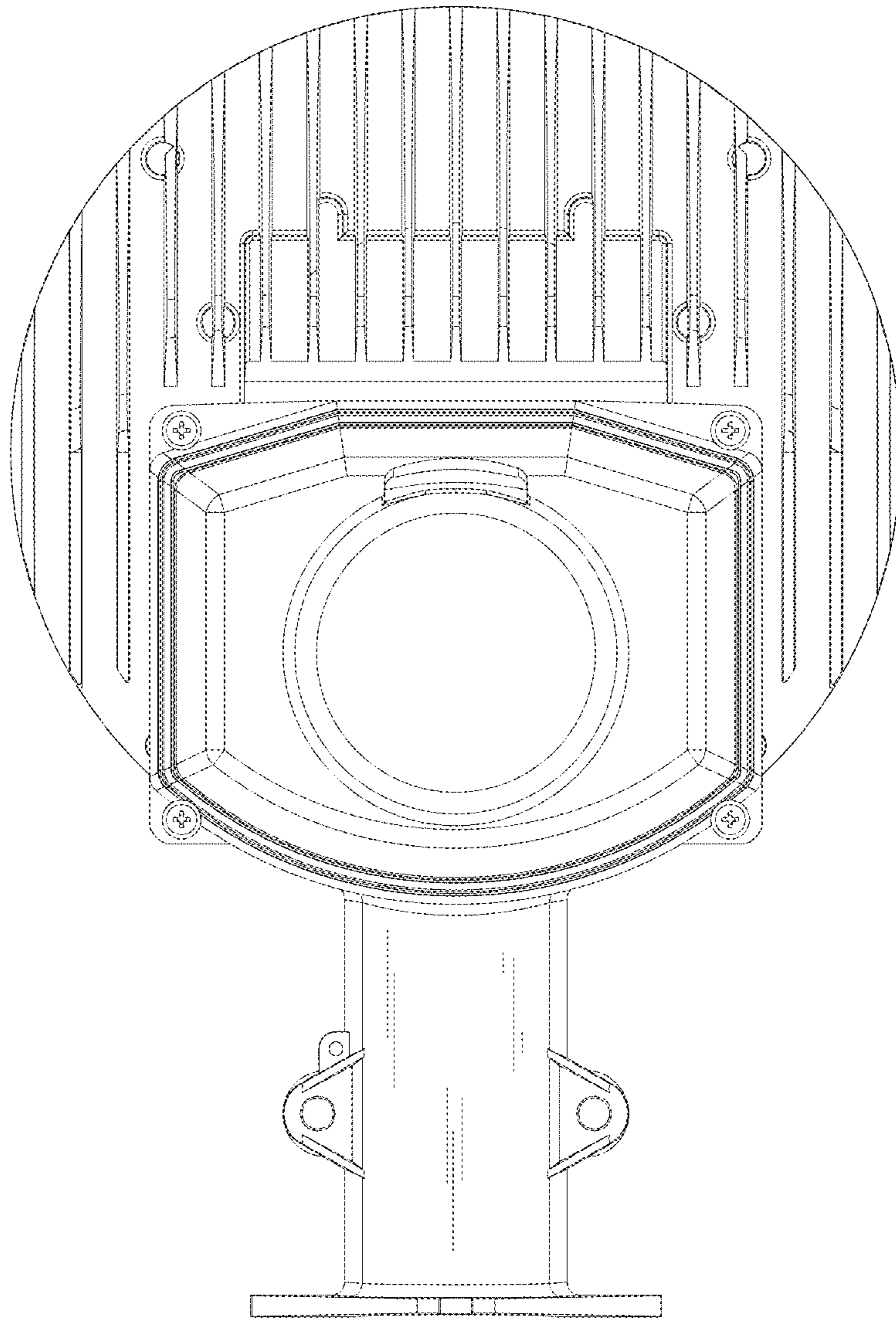


Fig. 2

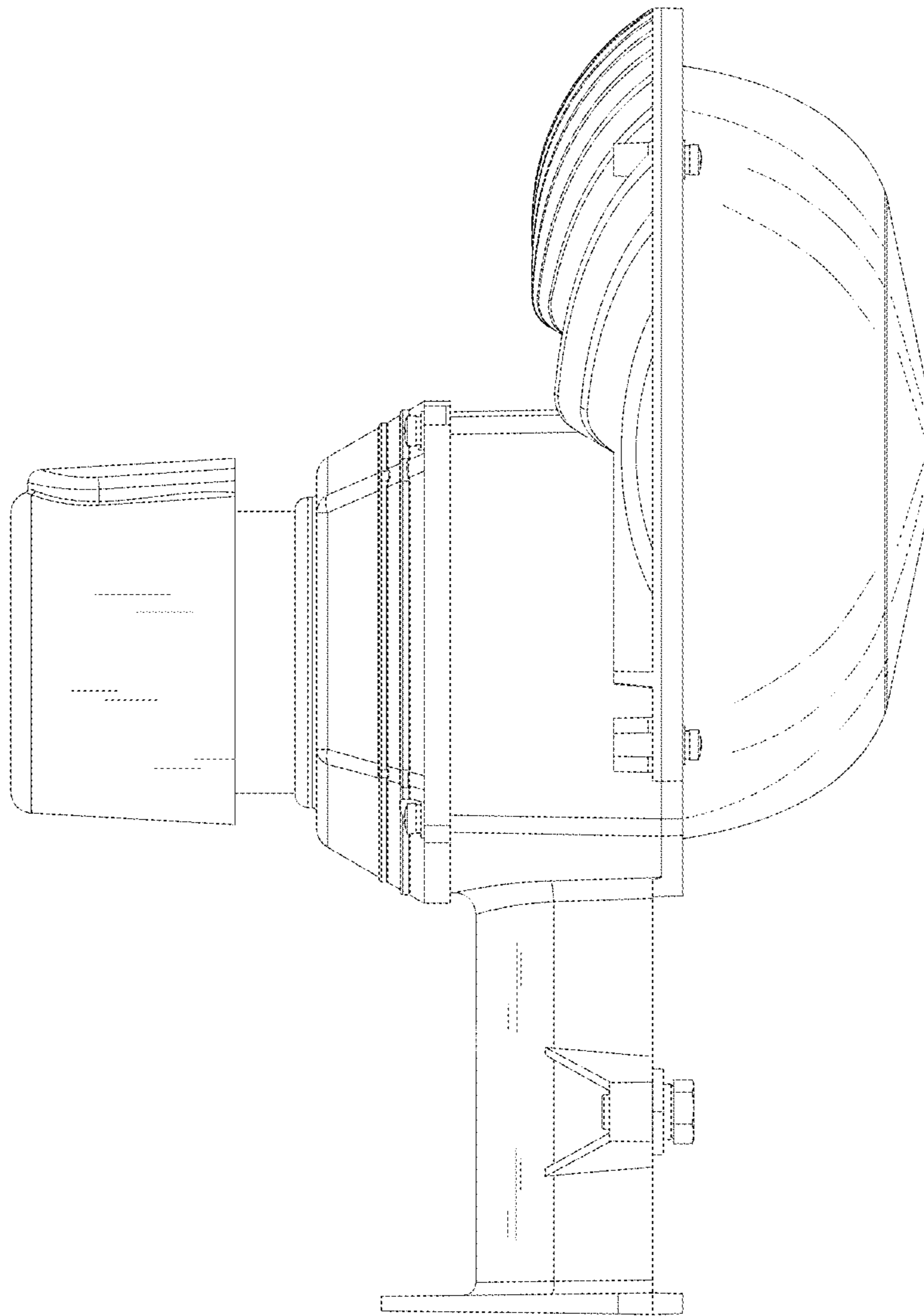


Fig. 3

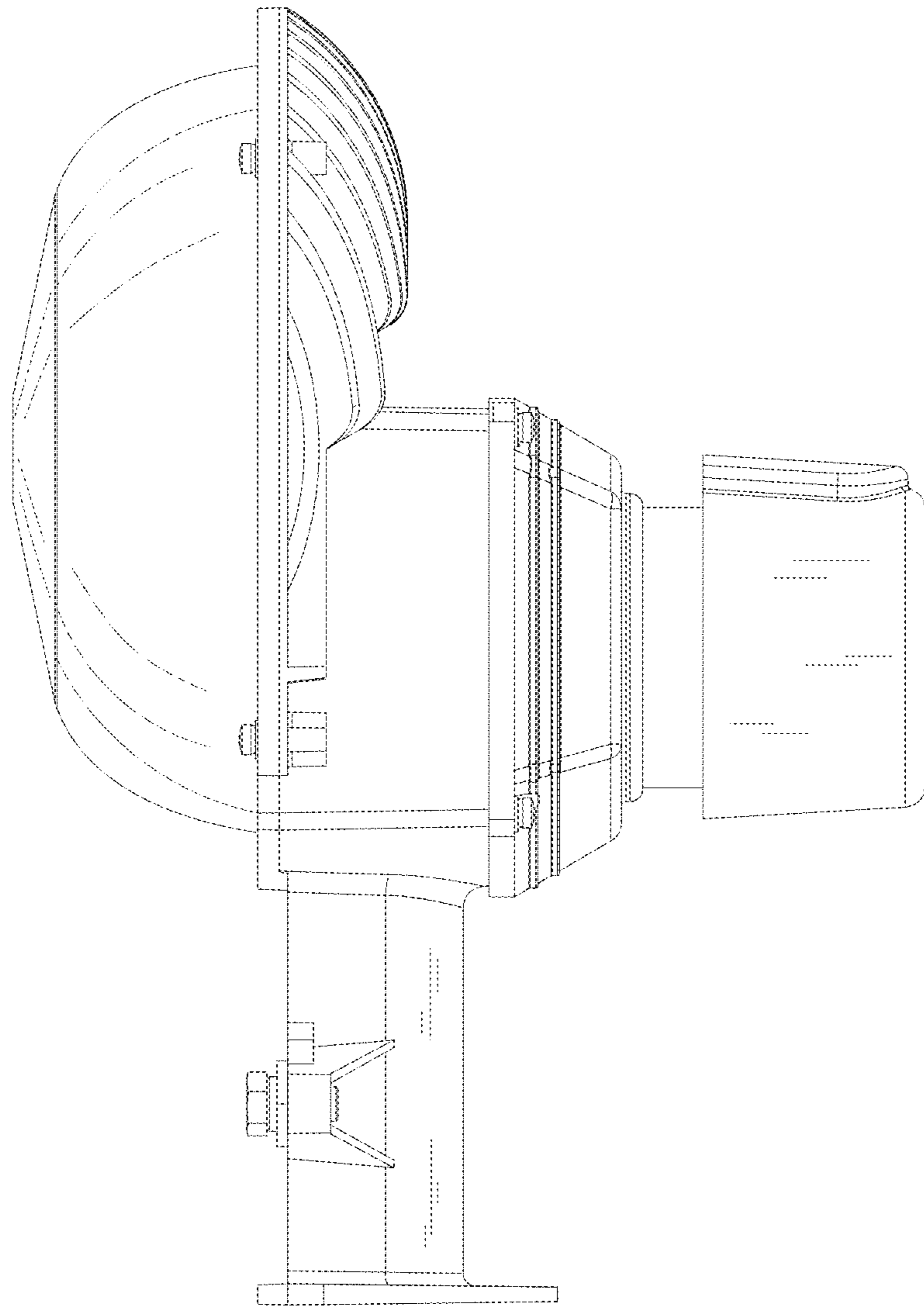


Fig. 4

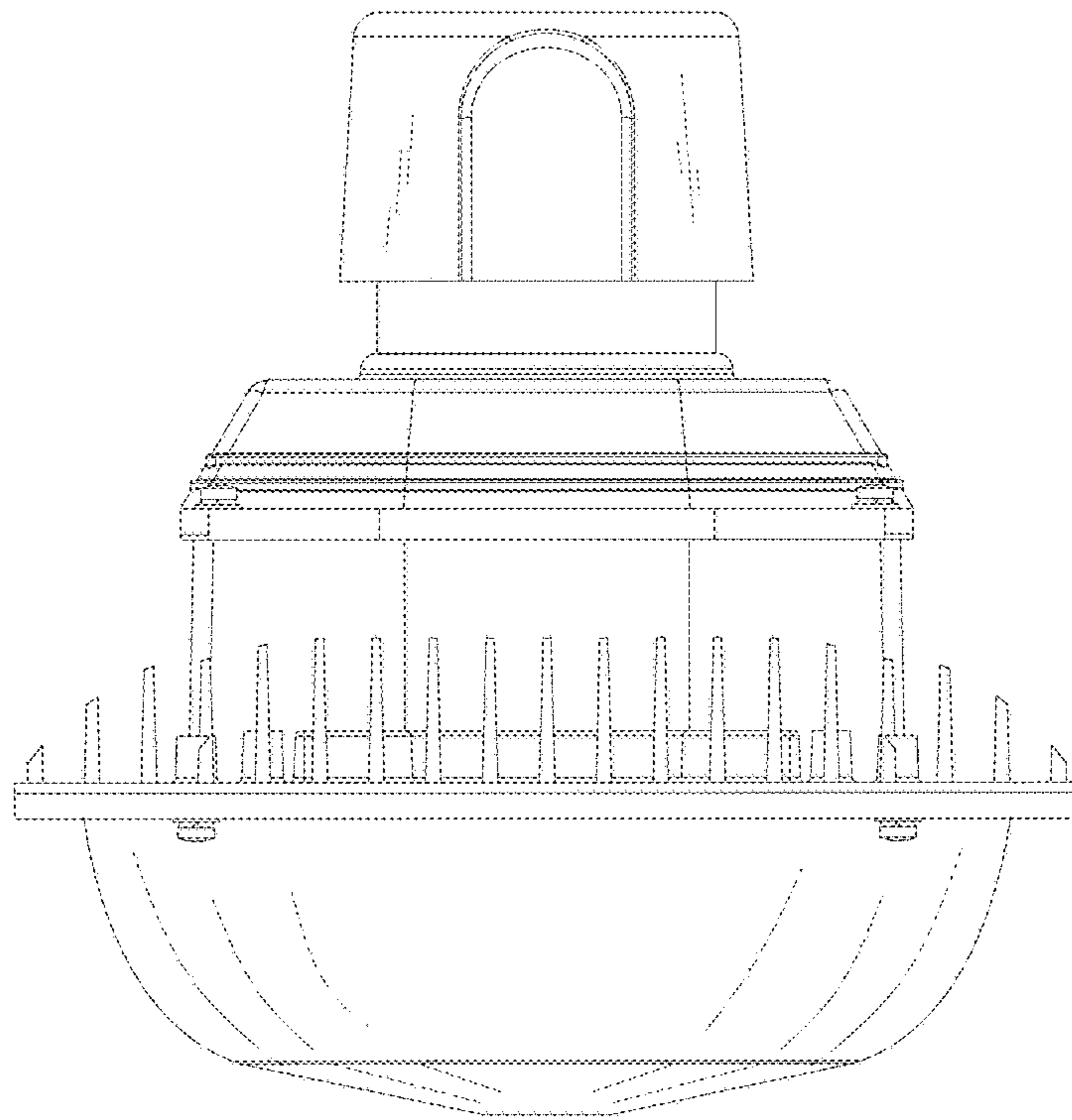


Fig. 5

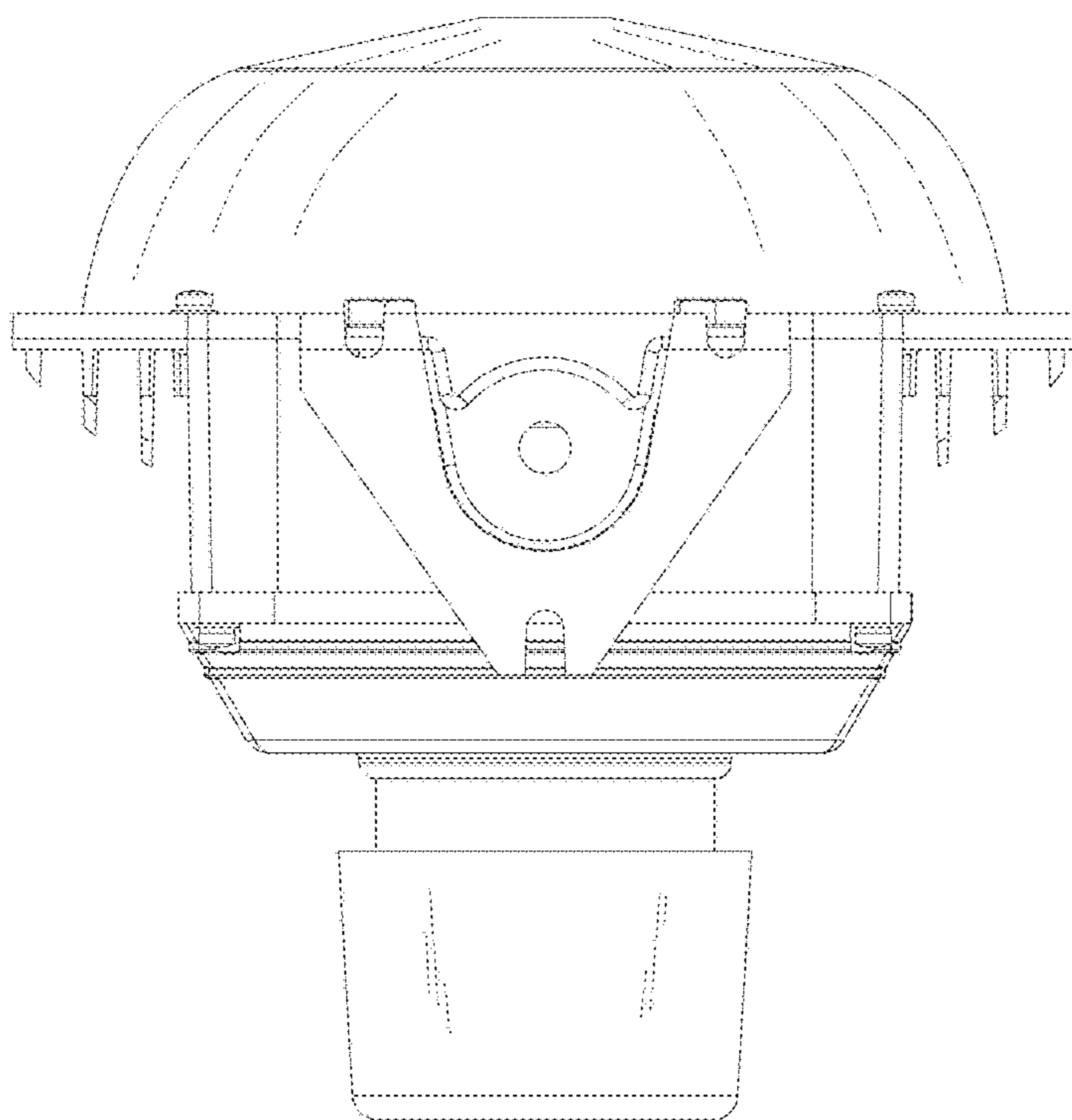


Fig. 6

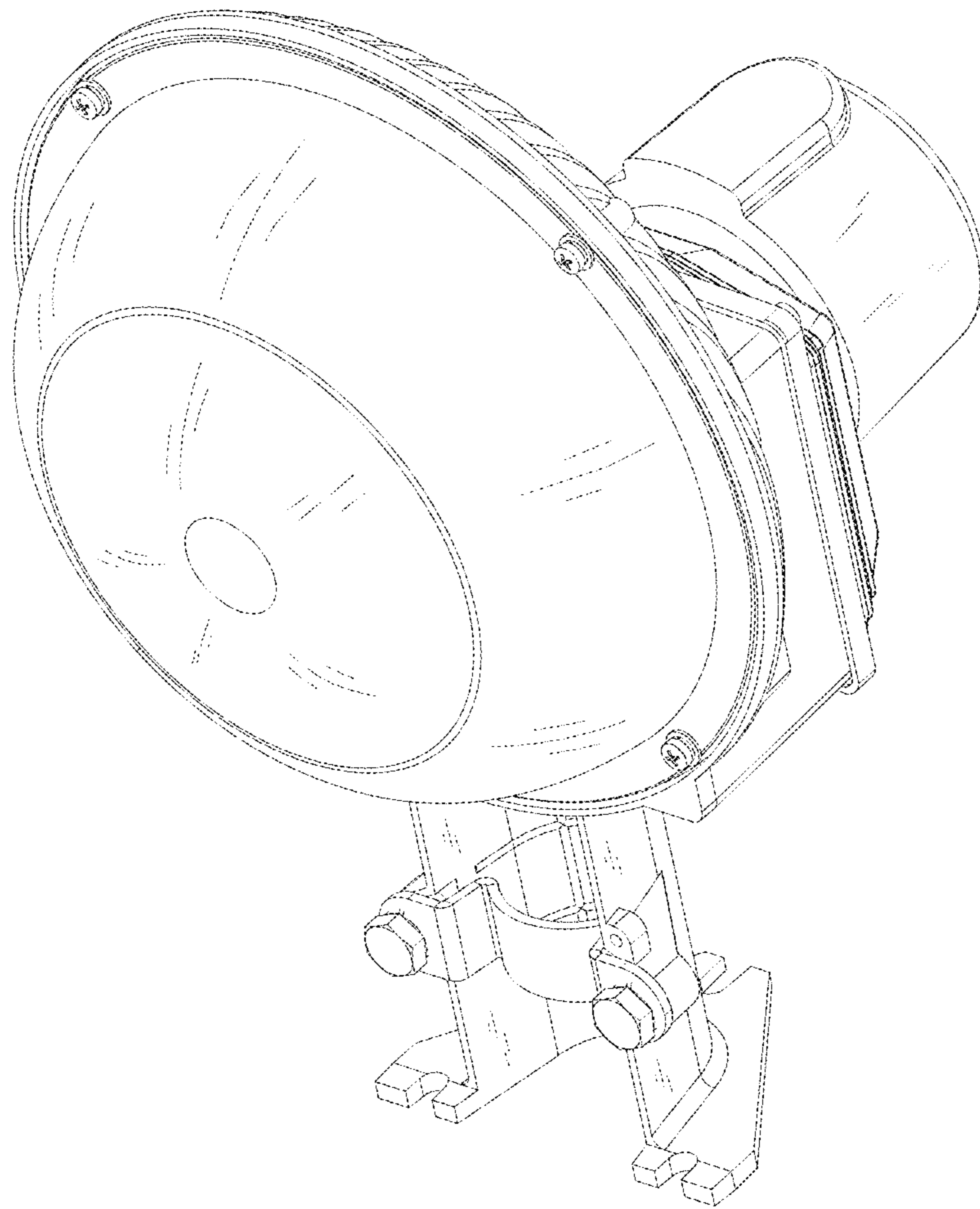


Fig. 7