



US00D776857S

(12) **United States Design Patent**  
**Stolte et al.**

(10) **Patent No.:** **US D776,857 S**  
(45) **Date of Patent:** **\*\* Jan. 17, 2017**

(54) **LIGHTING FIXTURE**  
(71) Applicant: **KENALL MANUFACTURING COMPANY**, Kenosha, WI (US)  
(72) Inventors: **Brandon Stolte**, Lindenhurst, IL (US);  
**Brad Wilson**, Twin Lakes, WI (US)  
(73) Assignee: **KENALL MANUFACTURING COMPANY**, Kenosha, WI (US)  
(\*\*) Term: **14 Years**

D406,377 S 3/1999 Pearce et al.  
D443,713 S 6/2001 Benensohn  
D447,829 S \* 9/2001 Bradford et al. .... D26/85  
6,561,670 B1 \* 5/2003 Jongewaard et al. .... 362/147  
6,623,143 B2 9/2003 Anderson  
7,144,135 B2 12/2006 Martin et al.  
D551,795 S 9/2007 Compton et al.  
D567,773 S 4/2008 Kamada  
D571,034 S 6/2008 Goetz-Schaefer  
7,445,362 B2 \* 11/2008 Compton et al. .... 362/346  
D583,984 S \* 12/2008 Takahashi et al. .... D26/89  
D599,040 S \* 8/2009 Alexander et al. .... D26/1  
D625,038 S 10/2010 Yoo  
D634,053 S 3/2011 Guercio

(Continued)

(21) Appl. No.: **29/522,391**  
(22) Filed: **Mar. 30, 2015**

*Primary Examiner* — Clare E Heflin  
(74) *Attorney, Agent, or Firm* — Marshall, Gerstein & Borun LLP

**Related U.S. Application Data**

(62) Division of application No. 29/462,841, filed on Aug. 8, 2013, now Pat. No. Des. 727,552.  
(51) **LOC (10) Cl.** ..... **26-03**  
(52) **U.S. Cl.**  
USPC ..... **D26/89**  
(58) **Field of Classification Search**  
USPC ..... D26/72, 85, 89, 119, 128; 362/147, 350,  
362/404-408, 453-456  
CPC ..... F21S 8/08; F21S 8/085; F21S 8/086;  
F21S 8/088; F21V 21/13  
See application file for complete search history.

(57) **CLAIM**

The ornamental design for a lighting fixture, as shown and described.

**DESCRIPTION**

FIG. 1 is a perspective view showing the new design;  
FIG. 2 is a front view of the lighting fixture of FIG. 1;  
FIG. 3 is a right side view of the lighting fixture of FIG. 1;  
FIG. 4 is a rear of the lighting fixture of FIG. 1;  
FIG. 5 is a left side view of the lighting fixture of FIG. 1;  
FIG. 6 is a top plan view of the lighting fixture of FIG. 1;  
and,  
FIG. 7 is a bottom plan view of the lighting fixture of FIG. 1.

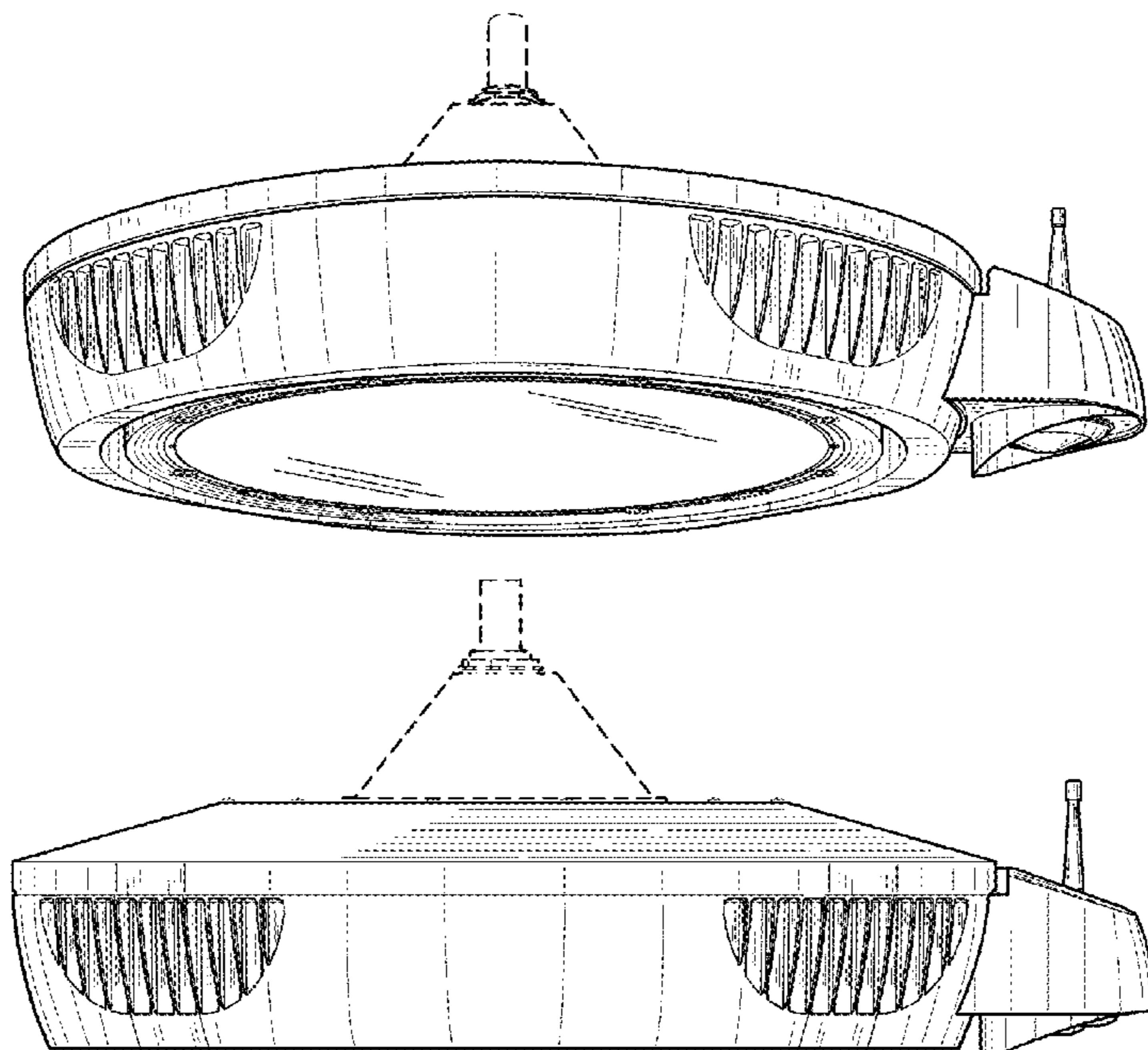
The broken lines showing portions of the lighting fixture are included for the purpose of illustrating environment and form no part of the claimed design.

**1 Claim, 5 Drawing Sheets**

(56) **References Cited**

**U.S. PATENT DOCUMENTS**

D200,118 S 1/1965 Van Steenhoven  
D228,795 S 10/1973 Peasley  
4,914,182 A 4/1990 Pfeifer et al.  
5,486,989 A \* 1/1996 Compton ..... 362/291  
D402,382 S 12/1998 Pearce et al.



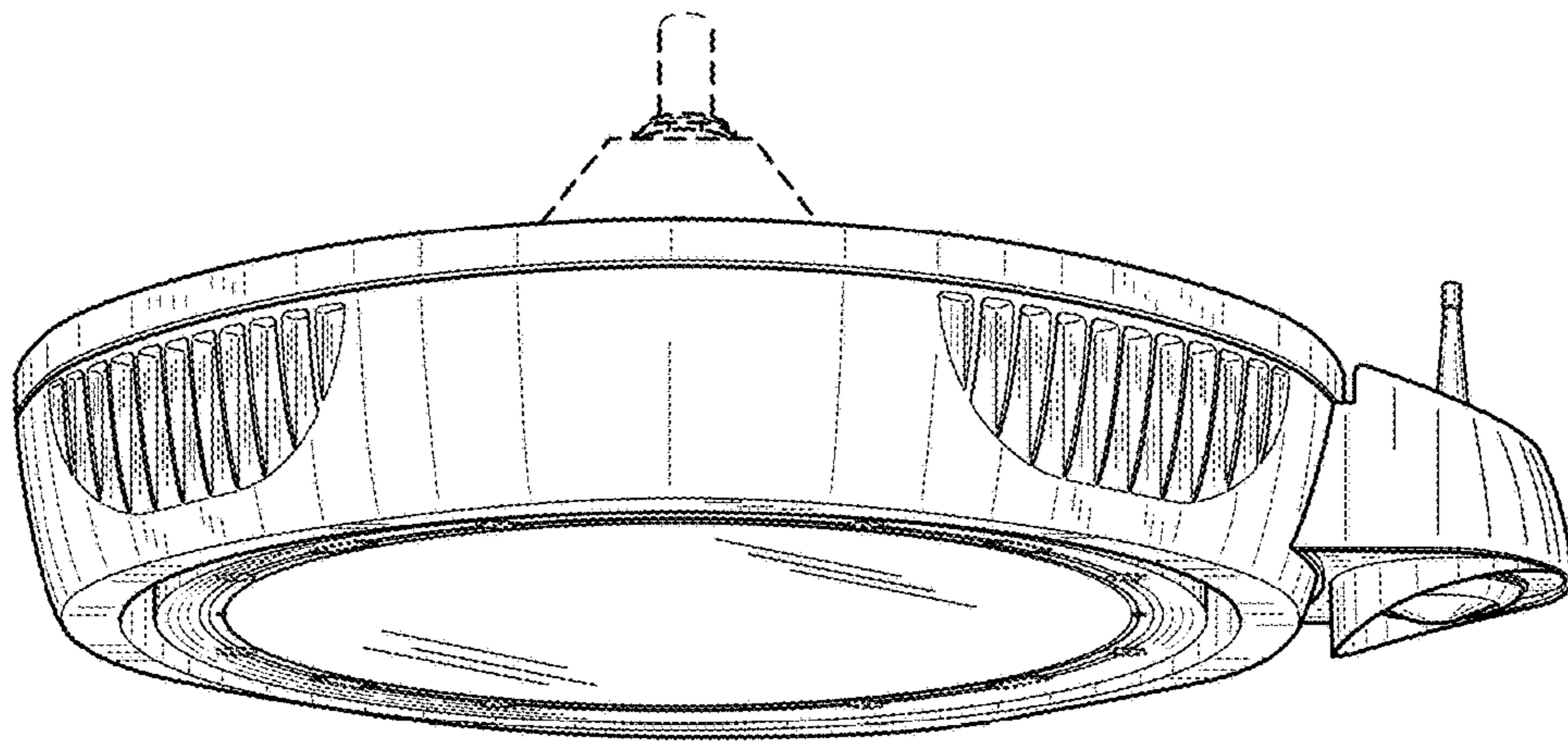
(56)

**References Cited**

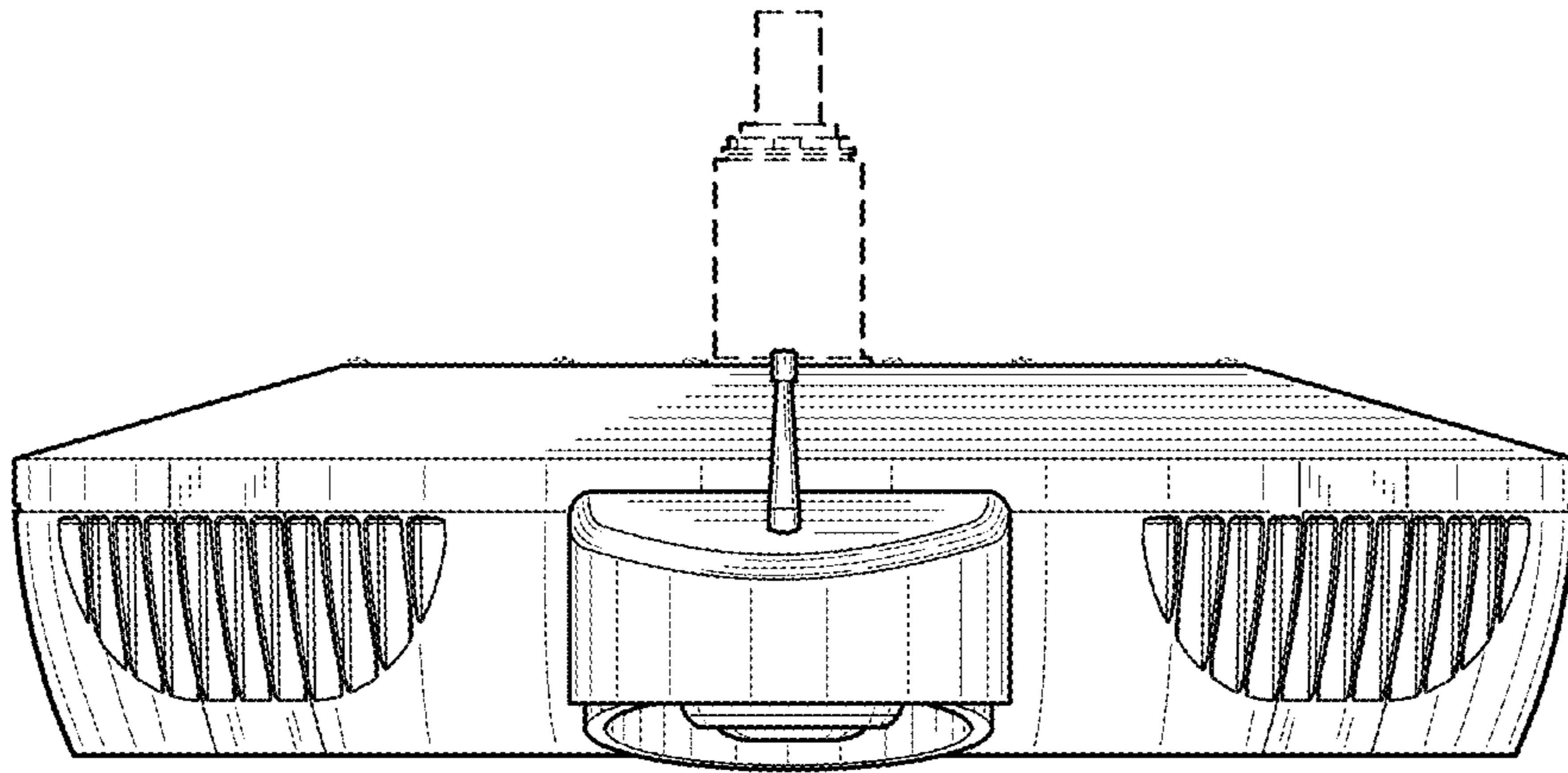
U.S. PATENT DOCUMENTS

D634,057	S	3/2011	Nguyen et al.	
D639,488	S *	6/2011	Yoshida et al. ....	D26/89
D639,996	S	6/2011	Stolte et al.	
D652,980	S	1/2012	Yoshida et al.	
D655,849	S	3/2012	Sabernig	
D657,088	S	4/2012	Miro	
D666,350	S	8/2012	Lee	
8,240,885	B2 *	8/2012	Miller .....	362/294
8,272,765	B2 *	9/2012	Ter-Hovhannisyan .....	362/294
D668,811	S	10/2012	Peter	
D673,322	S *	12/2012	Van De Ven et al. ....	D26/113
D680,261	S *	4/2013	Kong et al. ....	D26/113
D698,989	S *	2/2014	Dungan et al. ....	D26/128
2012/0176792	A1	7/2012	Stolte et al.	
2012/0176797	A1	7/2012	Stolte et al.	

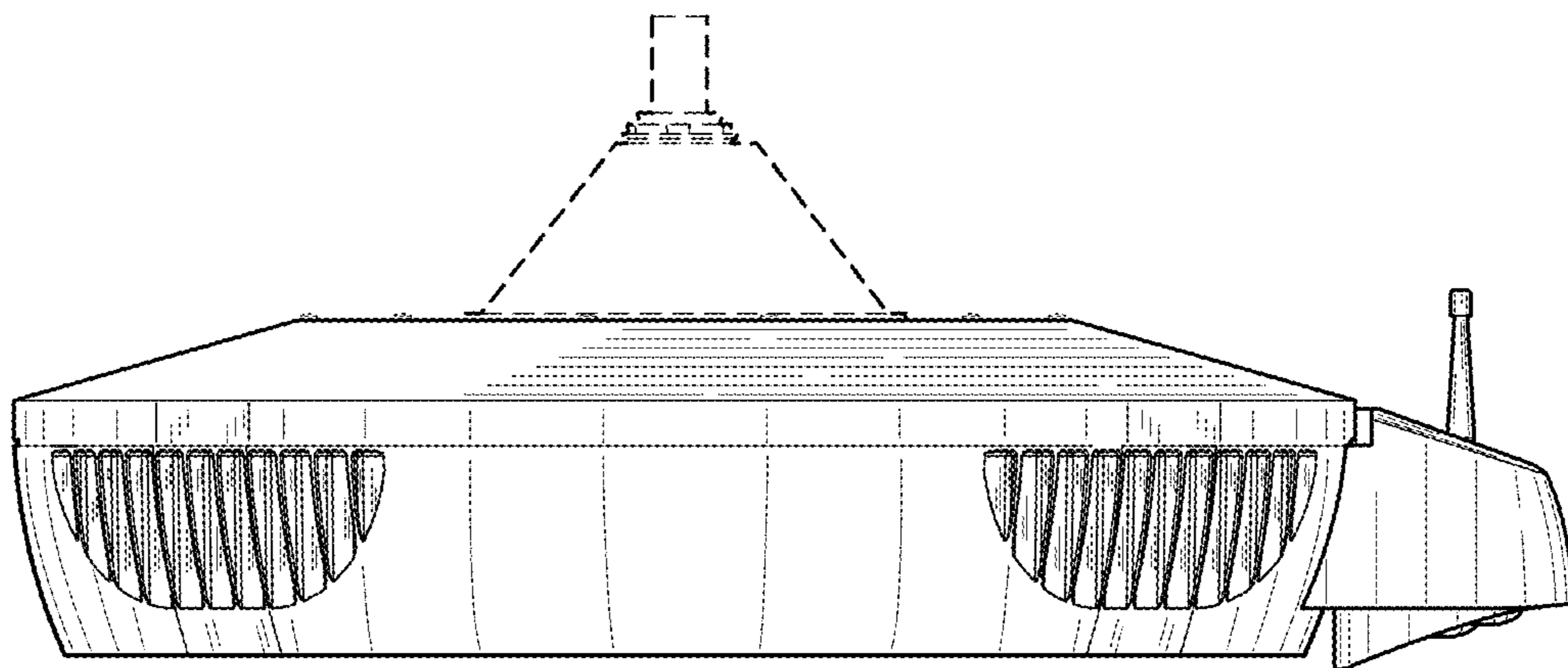
\* cited by examiner



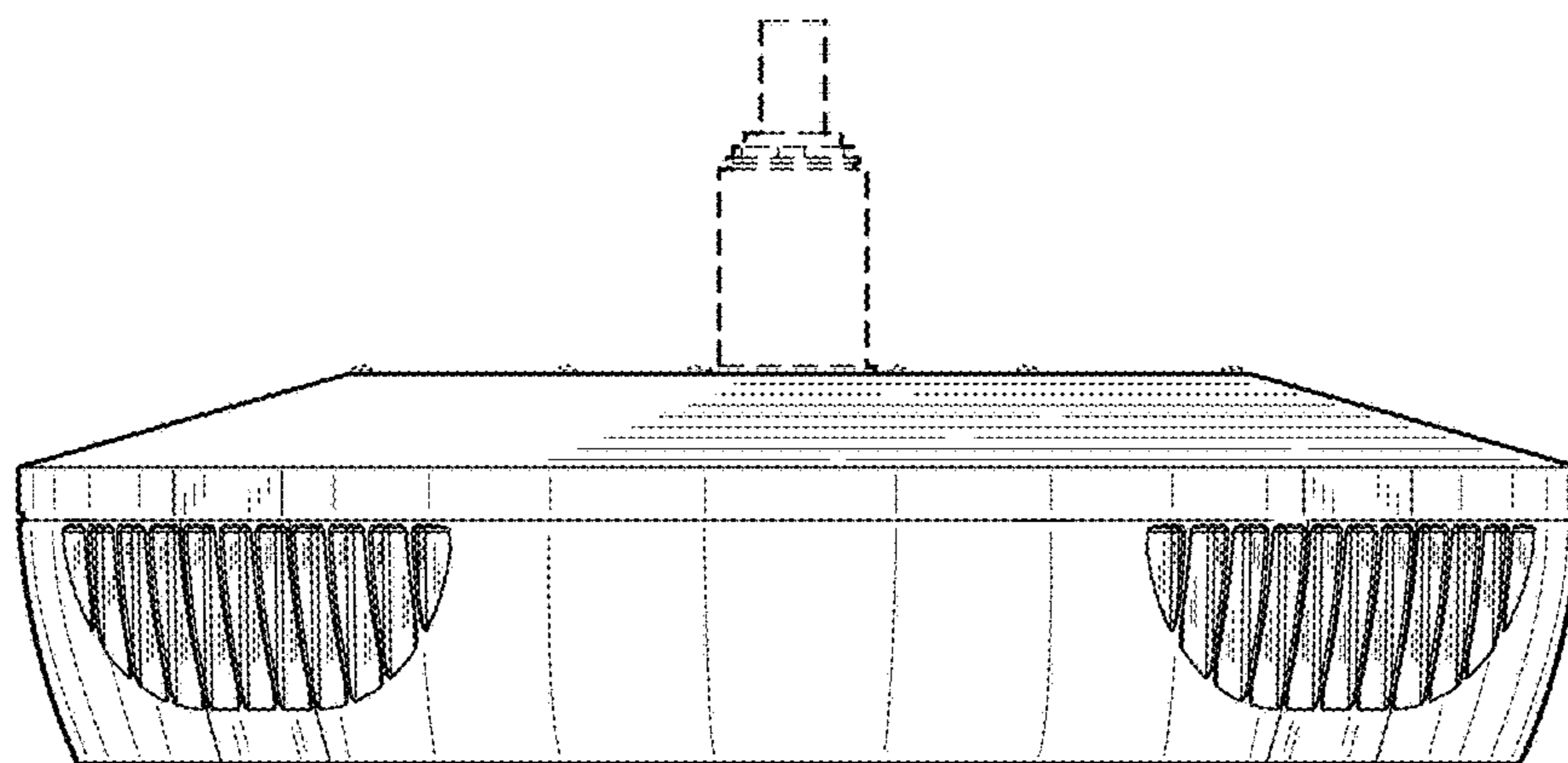
**FIG. 1**



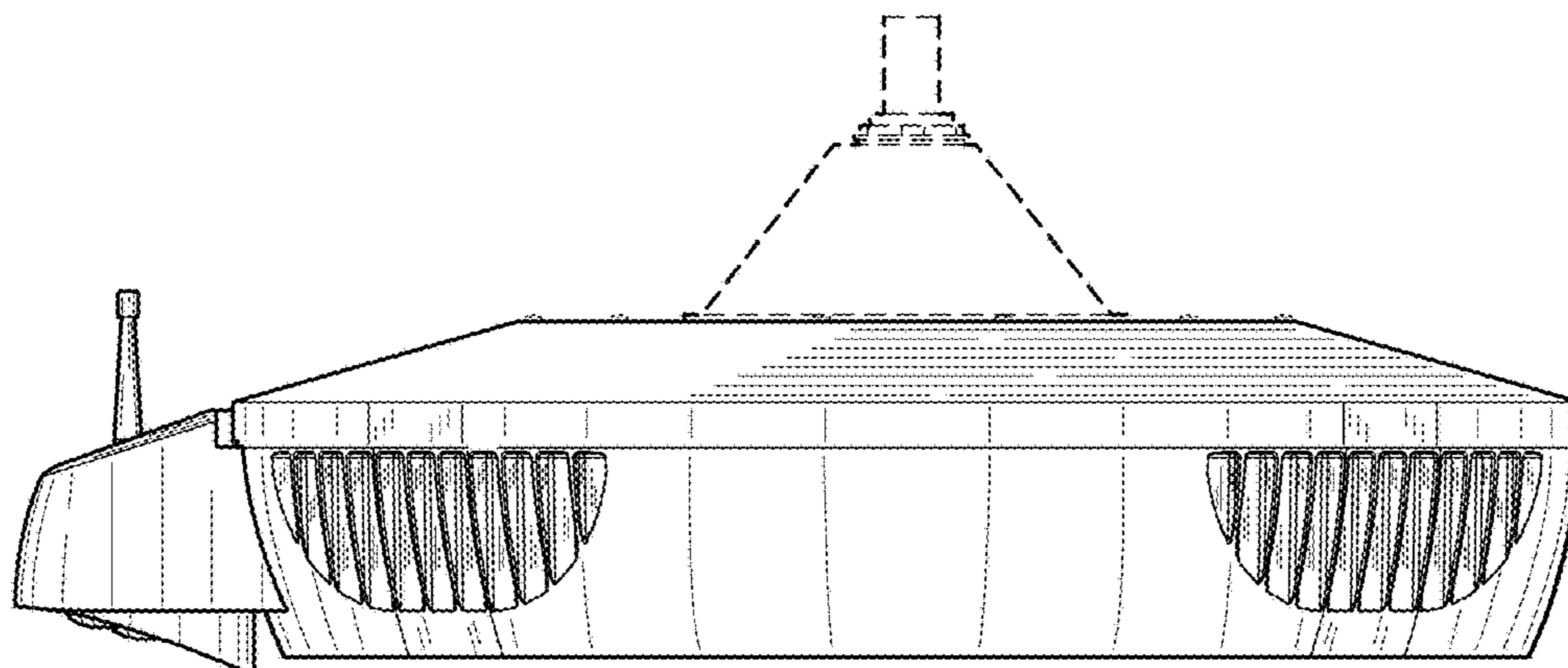
**FIG. 2**



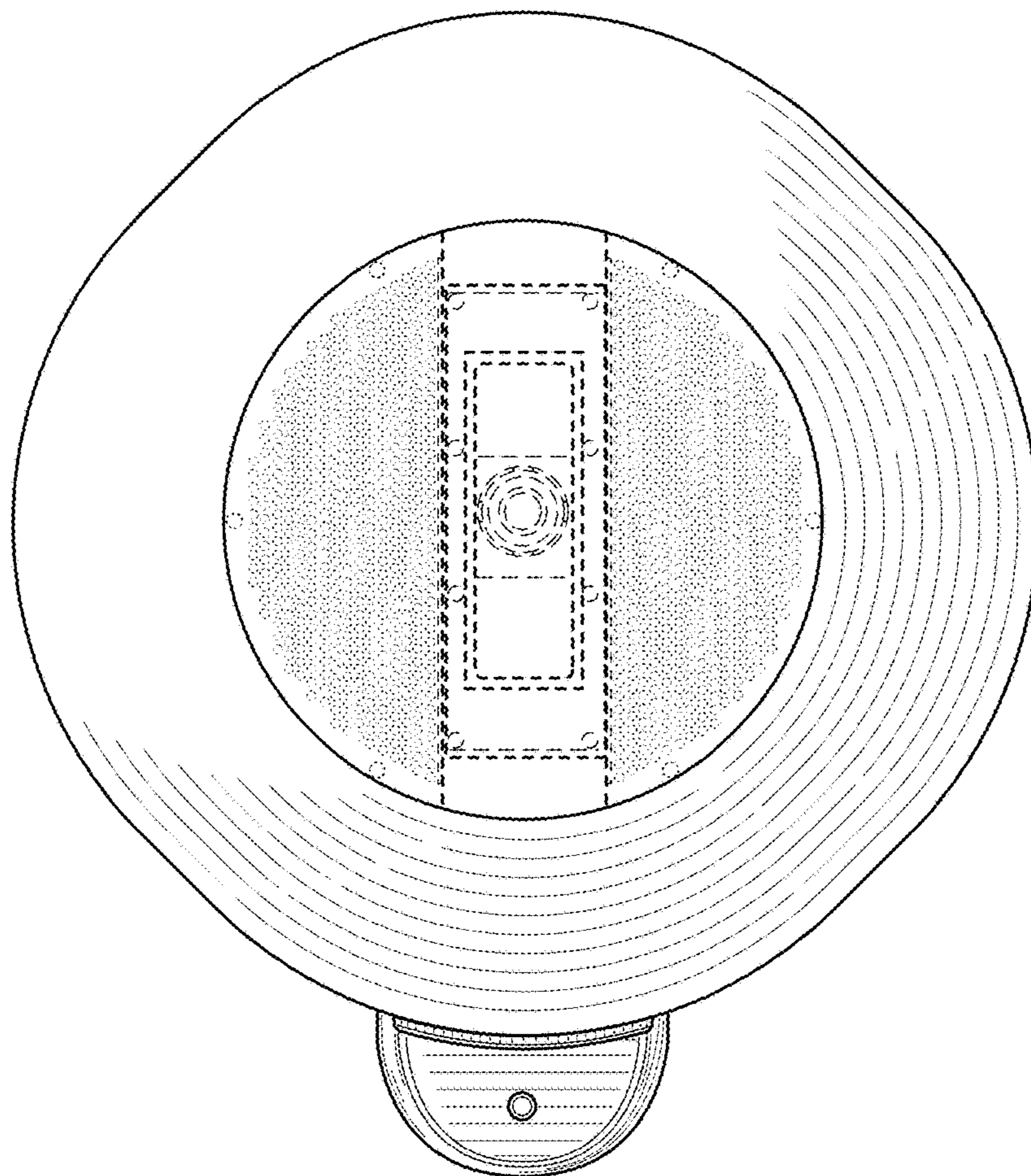
**FIG. 3**



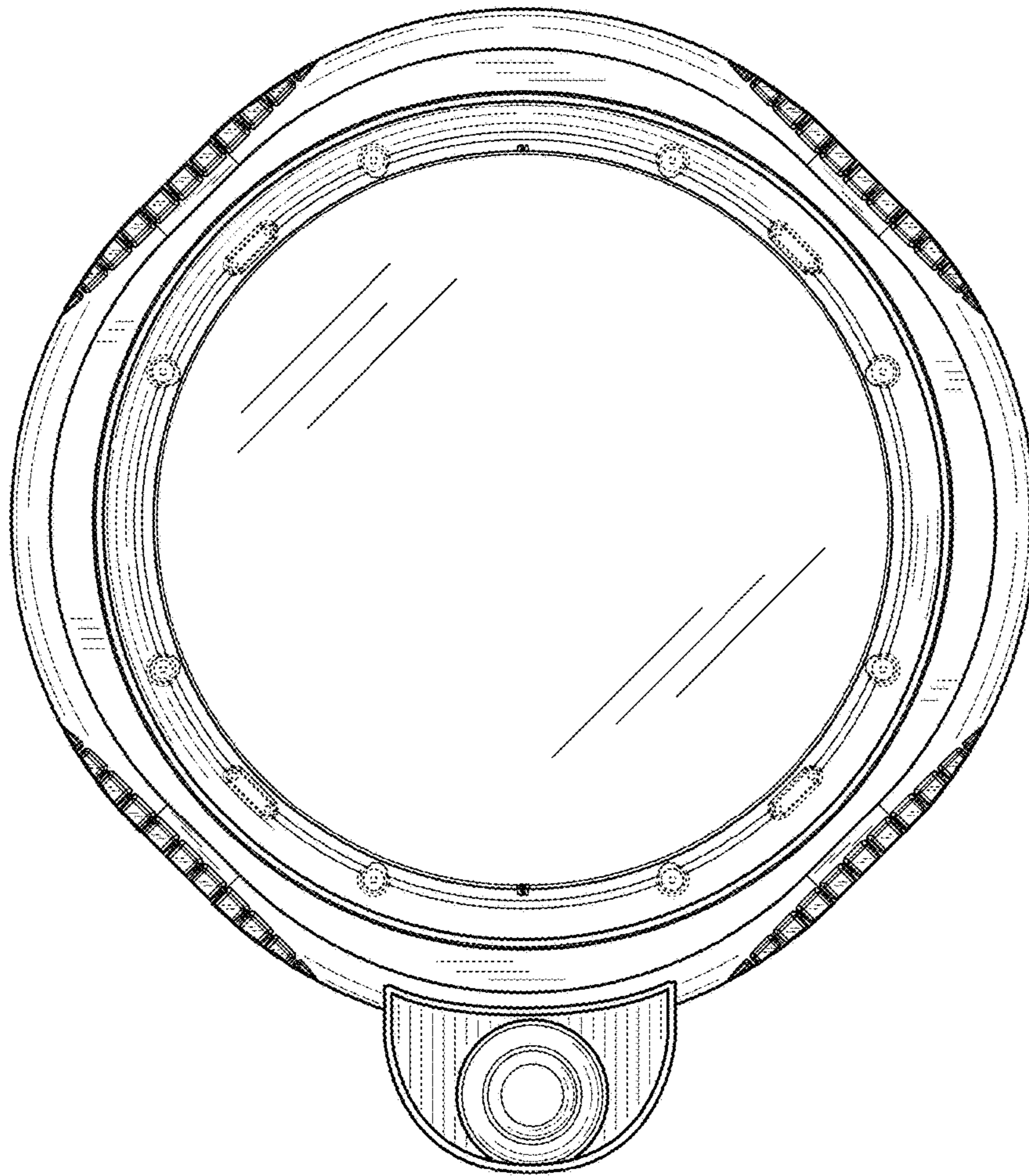
**FIG. 4**



**FIG. 5**



**FIG. 6**



**FIG. 7**