



US00D776854S

(12) **United States Design Patent** (10) **Patent No.:** **US D776,854 S**  
**Baumeister et al.** (45) **Date of Patent:** **\*\* Jan. 17, 2017**

(54) **LINE LAMP**

(71) Applicant: **BJB GmbH & Co. KG**, Arnsberg (DE)

(72) Inventors: **Olaf Baumeister**, Sudern (DE);  
**Markus Schulte**, Moehnesee (DE)

(73) Assignee: **BJB GmbH & Co. KG**, Arnsberg (DE)

(\*\*) Term: **14 Years**

(21) Appl. No.: **29/494,060**

(22) Filed: **Jun. 17, 2014**

(30) **Foreign Application Priority Data**

Jan. 24, 2014 (EM) ..... 002391177-0001  
 Jan. 24, 2014 (EM) ..... 002391177-0002  
 Jan. 24, 2014 (EM) ..... 002391177-0003  
 Jan. 24, 2014 (EM) ..... 002391177-0004

(51) **LOC (10) Cl.** ..... **26-03**

(52) **U.S. Cl.**  
USPC ..... **D26/76**

(58) **Field of Classification Search**  
 USPC ..... D26/24, 39, 59, 67, 68, 69, 70, 71, 72,  
 D26/74, 76, 77, 80, 88, 89, 98, 138, 139,  
 D26/140, 141, 142, 151, 152  
 CPC ..... F24S 4/001; F24S 4/005; F24S 8/00;  
 F24S 8/04; F24S 8/043; F24S  
 8/046; F24S 8/06-8/065; F24S  
 13/02; F24S 13/04; F24S 13/06

See application file for complete search history.

(56) **References Cited**

U.S. PATENT DOCUMENTS

D520,667	S	*	5/2006	Jae-Sung	.....	D26/76
D602,627	S	*	10/2009	Lasthein	.....	D26/76
D603,548	S	*	11/2009	Pei	.....	D26/76
D690,452	S	*	9/2013	Payne	.....	D26/80
D701,343	S	*	3/2014	Ng	.....	D26/76
D704,643	S	*	5/2014	Udagawa	.....	D13/139.4
D729,423	S	*	5/2015	Noh	.....	D26/24
D735,392	S	*	7/2015	Ng	.....	D26/76
2015/0204522	A1	*	7/2015	Baumeister	.....	F21K 9/175 362/217.16

\* cited by examiner

*Primary Examiner* — George D Kirschbaum

*Assistant Examiner* — Natasha Vujcic

(74) *Attorney, Agent, or Firm* — Von Rohrscheidt Patents

(57) **CLAIM**

The ornamental design for a line lamp, as shown and described.

**DESCRIPTION**

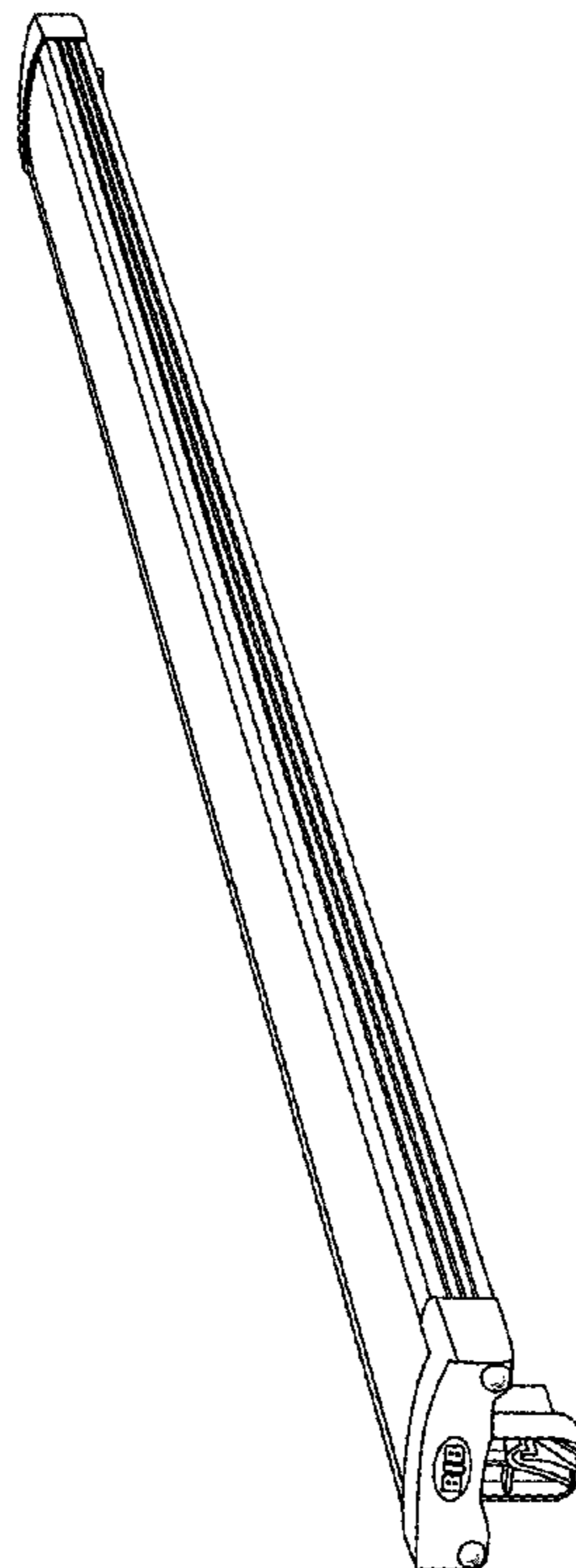
FIG. 1 illustrates a slanted side view of the line lamp showing the new design.

FIG. 2 illustrates an enlarged slanted side view of the line lamp in FIG. 1.

FIG. 3 illustrates a slanted bottom view of the line lamp in FIG. 1; and,

FIG. 4 illustrates a slanted top view of the line lamp in FIG. 1.

**1 Claim, 4 Drawing Sheets**



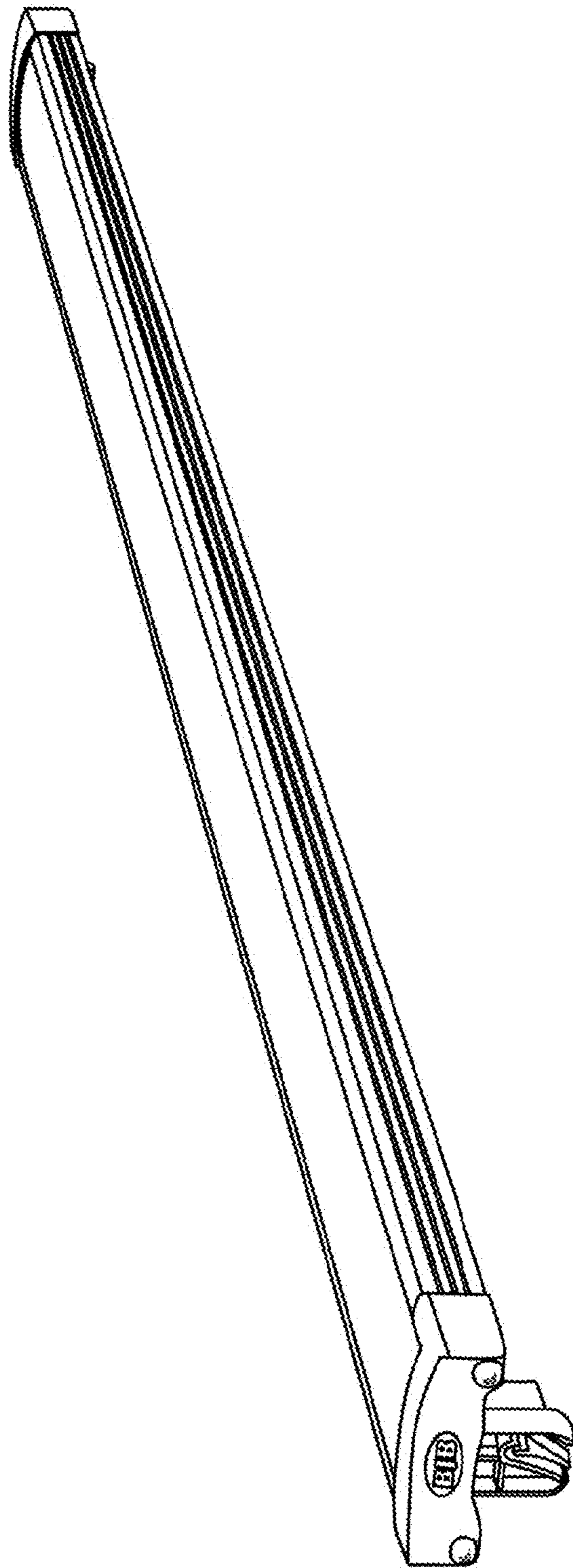


FIG. 1

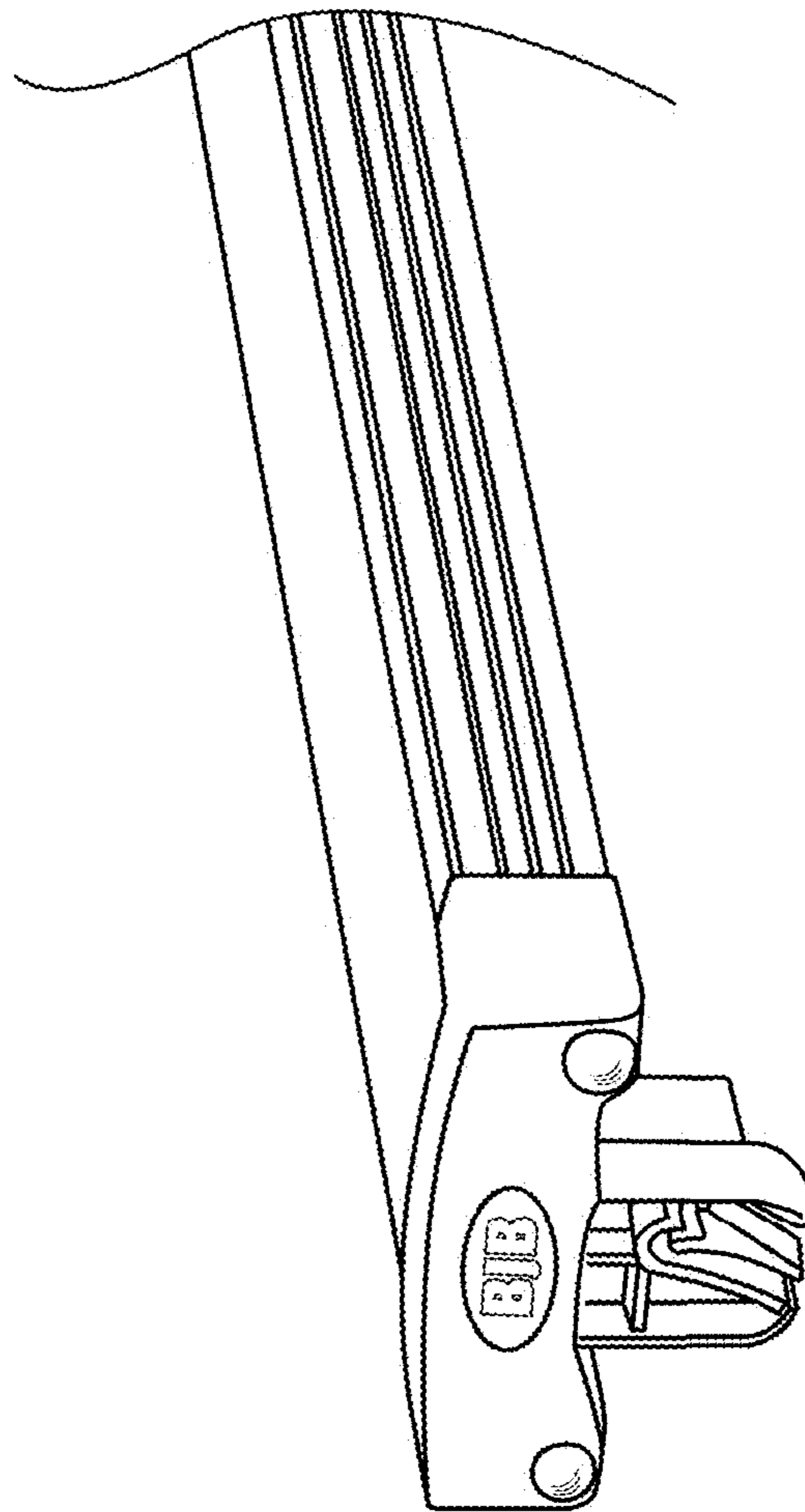


FIG. 2

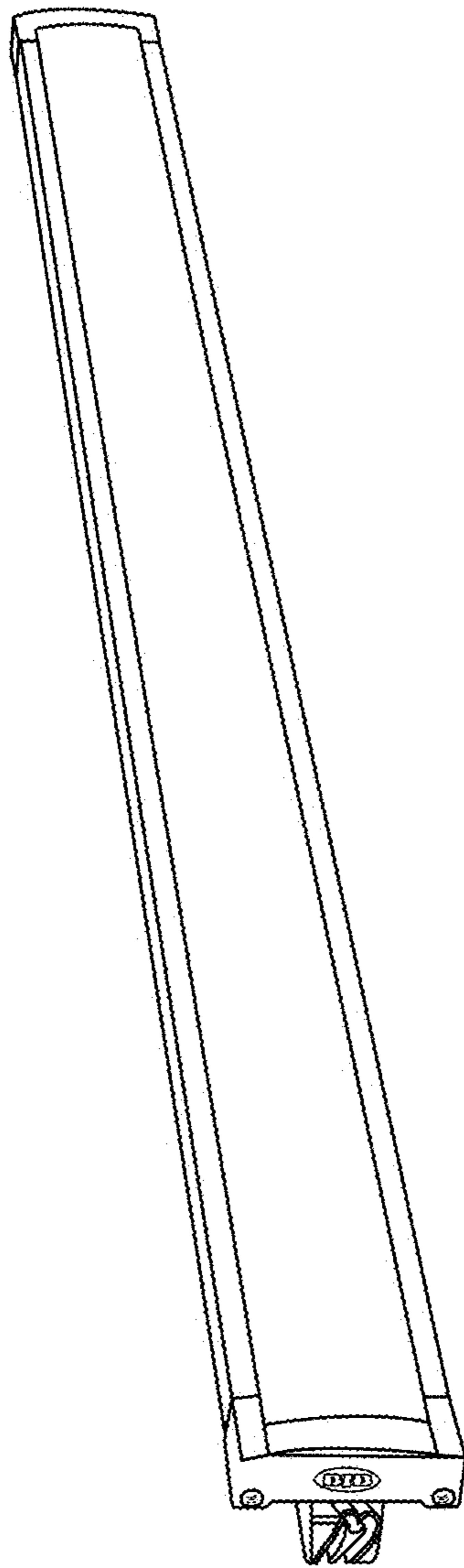


FIG. 3

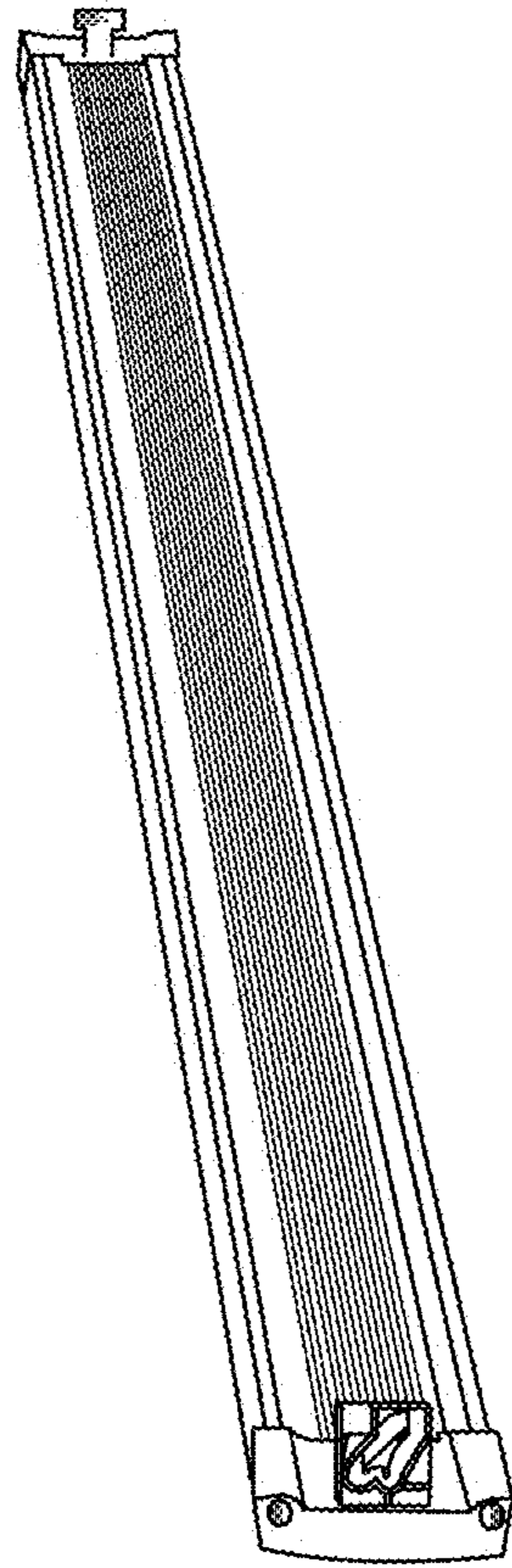


FIG. 4