



US00D776850S

(12) **United States Design Patent**  
**Hodgson**

(10) **Patent No.:** **US D776,850 S**

(45) **Date of Patent:** **\*\* Jan. 17, 2017**

(54) **LAMP**

(71) Applicant: **The Daylight Company (Holdings) Limited**, London (GB)

(72) Inventor: **Fraser Hodgson**, London (GB)

(73) Assignee: **The Daylight Company (Holdings) Limited** (GB)

(\*\*) Term: **14 Years**

(21) Appl. No.: **29/523,667**

(22) Filed: **Apr. 13, 2015**

(30) **Foreign Application Priority Data**

Jan. 16, 2015 (EM) ..... 002615310-0002

(51) **LOC (10) Cl.** ..... **26-03**

(52) **U.S. Cl.**  
USPC ..... **D26/62**

(58) **Field of Classification Search**  
USPC ..... D26/1, 24, 61, 62, 72, 93, 106, 110  
CPC ..... F21S 6/00; F21S 6/002; F21S 6/003;  
F21S 6/004; F21S 6/005; F21S  
6/006; F21S 6/007; F21V 21/02; F21V  
21/088; F21W 2121/00; F21W 2131/30

See application file for complete search history.

(56) **References Cited**

U.S. PATENT DOCUMENTS

4,238,816 A *	12/1980	Merlo .....	F21S 6/003 362/279
D290,519 S *	6/1987	Kuo .....	D26/60
4,692,850 A *	9/1987	LeDoux .....	F21V 21/02 362/285
D390,990 S *	2/1998	Yang .....	D26/62
D392,404 S *	3/1998	Brown .....	D26/62
D472,659 S *	4/2003	Wang .....	D26/63
D498,321 S *	11/2004	Terry .....	D26/60
D563,581 S *	3/2008	Niu .....	D26/62

\* cited by examiner

*Primary Examiner* — Brian N Vinson

(74) *Attorney, Agent, or Firm* — Laubscher, Spendlove & Laubscher, P.C.

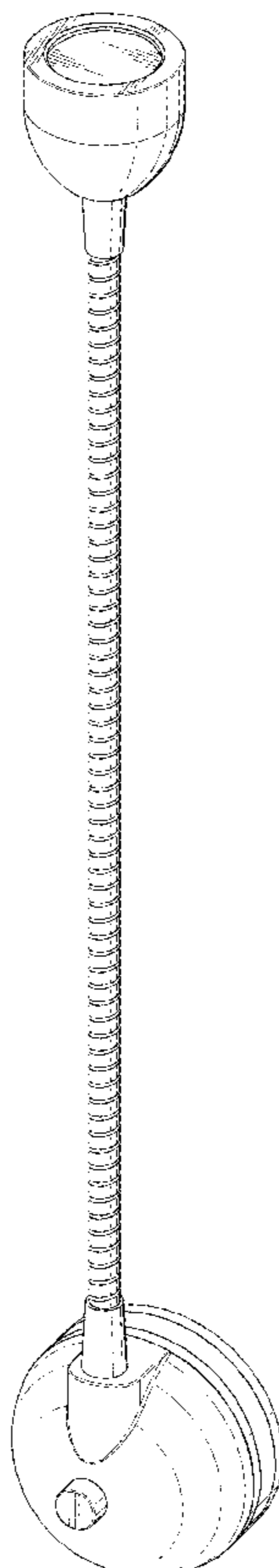
(57) **CLAIM**

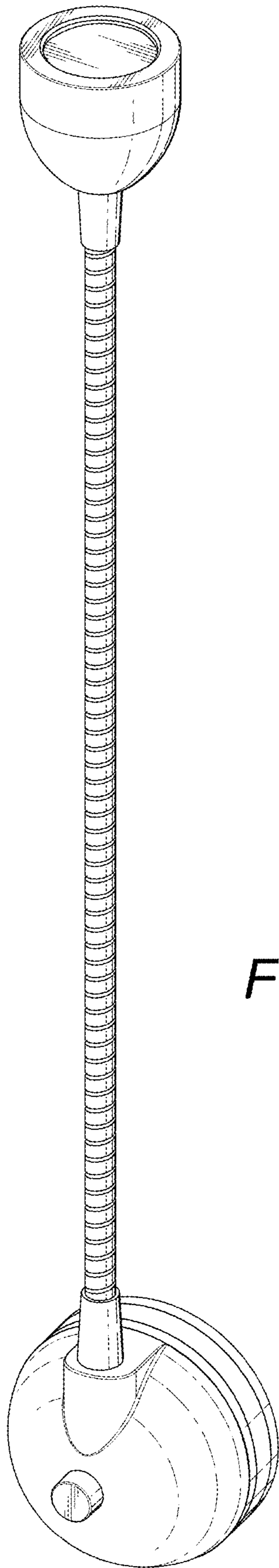
The ornamental design for a lamp, as shown.

**DESCRIPTION**

FIG. 1 is a top perspective view thereof;  
FIG. 2 is a front elevation view thereof;  
FIG. 3 is a rear elevation view thereof;  
FIG. 4 is a right elevation view thereof;  
FIG. 5 is a left elevation view thereof;  
FIG. 6 is a top elevation view thereof; and,  
FIG. 7 is a bottom elevation view thereof.

**1 Claim, 4 Drawing Sheets**





*FIG. 1*

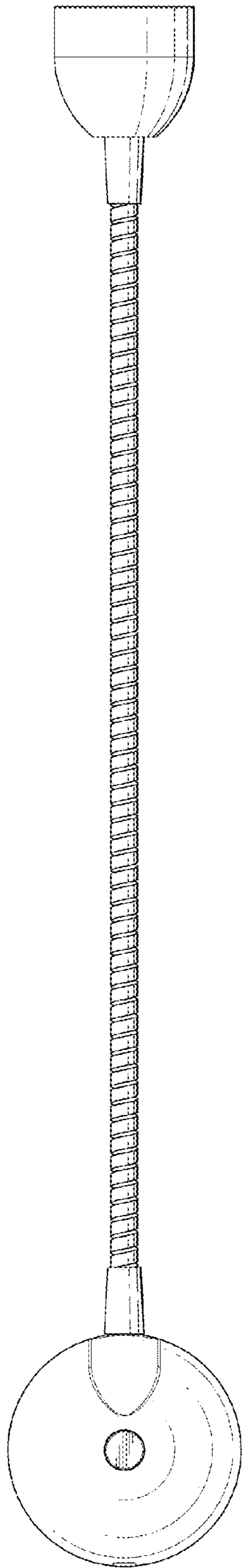


FIG. 2

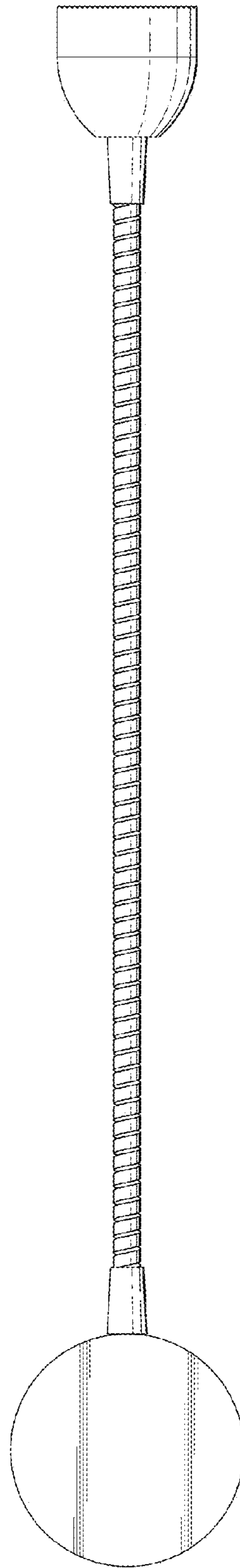


FIG. 3

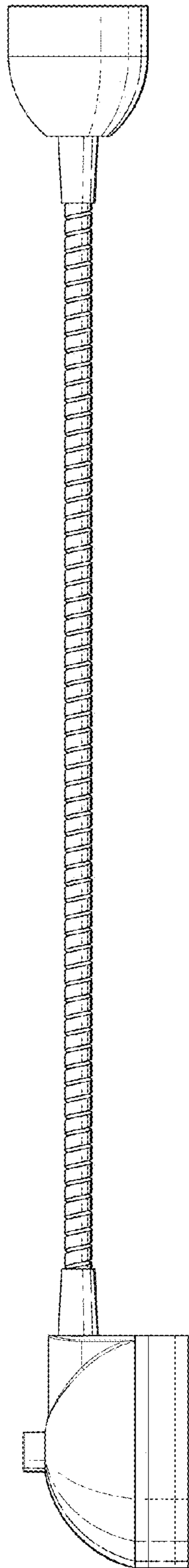


FIG. 4

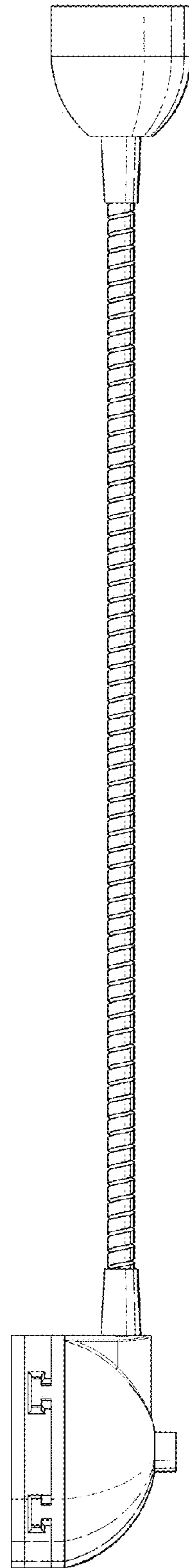
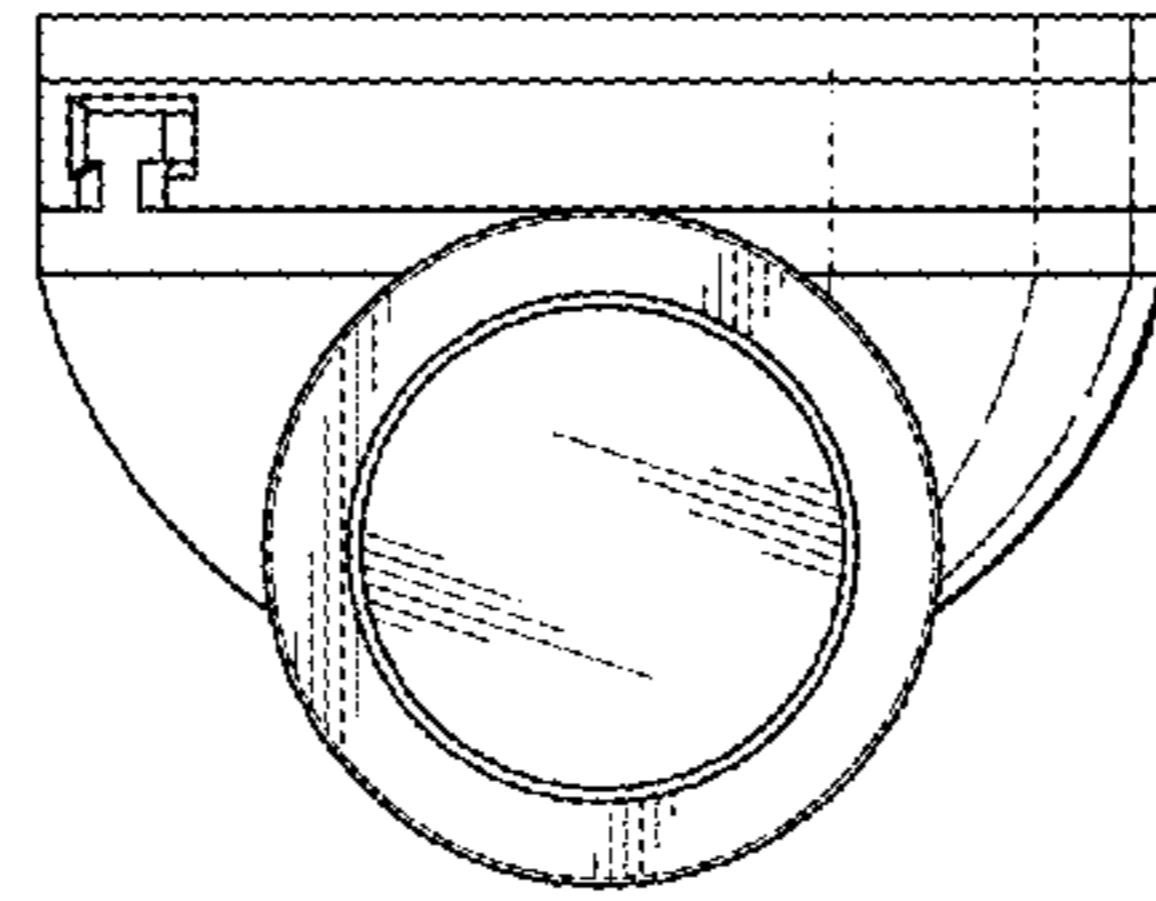
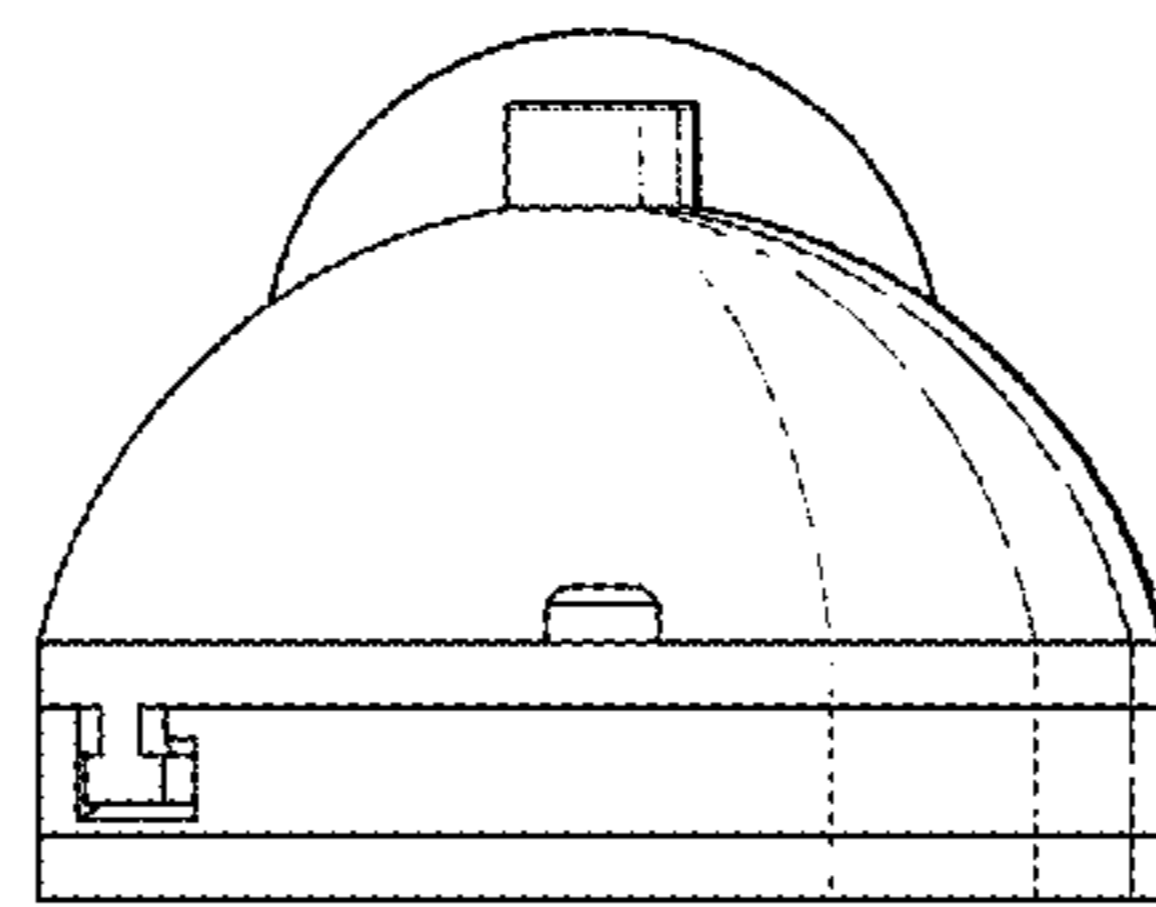


FIG. 5



*FIG. 6*



*FIG. 7*