

US00D776849S

(12) **United States Design Patent**
Fissell

(10) **Patent No.:** **US D776,849 S**
(45) **Date of Patent:** **** Jan. 17, 2017**

(54) **TABLE WITH ILLUMINATING PERIMETER**

(76) Inventor: **Jeremy J. Fissell**, San Luis Obispo, CA (US)

(**) Term: **14 Years**

(21) Appl. No.: **29/429,066**

(22) Filed: **Aug. 7, 2012**

(51) **LOC (10) Cl.** **26-05**

(52) **U.S. Cl.**

USPC **D26/51**

(58) **Field of Classification Search**

USPC D26/51, 52, 56, 58, 1, 3, 24, 25, 75, D26/132, 136; 362/33, 34, 253, 23.09, 362/600, 605, 551, 127, 97; D6/691, D6/691.6, 480, 487; D21/397, 317
CPC .. F21Y 2101/02; F21V 14/025; F21V 21/406; F21L 2003/00; F21L 2005/00; F21L 33/00; A47B 25/00; A47B 25/003; H01J 2329/00

See application file for complete search history.

(56) **References Cited**

U.S. PATENT DOCUMENTS

2,633,395 A 3/1953 Zenner
2,871,076 A 1/1959 Mell
D248,914 S * 8/1978 Ettress D26/55

(Continued)

OTHER PUBLICATIONS

“New 8' Beer Pong Table Aluminum Portable Adjustable Folding Indoor Outdoor Tailgate Party Game #8” by Pongbuddy, <http://www.amazon.com/ALUMINUM-PORTABLE-ADJUSTABLE-FOLDING-TAILGATE/dp/800MQCZG18> depicting Beer Pong Table, 5 pgs. Accessed May 22, 2015.

(Continued)

Primary Examiner — Ian Simmons
Assistant Examiner — Carissa C Fitts

(74) *Attorney, Agent, or Firm* — Morgan, Lewis & Bockius LLP; Brett A. Lovejoy

(57) **CLAIM**

The ornamental design for a table with illuminating perimeter, as shown and described.

DESCRIPTION

FIG. 1 is a perspective view of the table having an illuminating perimeter region showing our new design, wherein the illuminating perimeter region is in an illuminating state; FIG. 2 is a top view of the table with illuminating perimeter thereof;

FIG. 3 is a front view of the table with illuminating perimeter thereof

FIG. 4 is a right side view of the table with illuminating perimeter thereof

FIG. 5 is a left side view of the table with illuminating perimeter thereof

FIG. 6 is a perspective view of the table having an illuminating perimeter region showing our new design, wherein the illuminating perimeter region is in a non illuminating state;

FIG. 7 is a top view of the table with illuminating perimeter thereof;

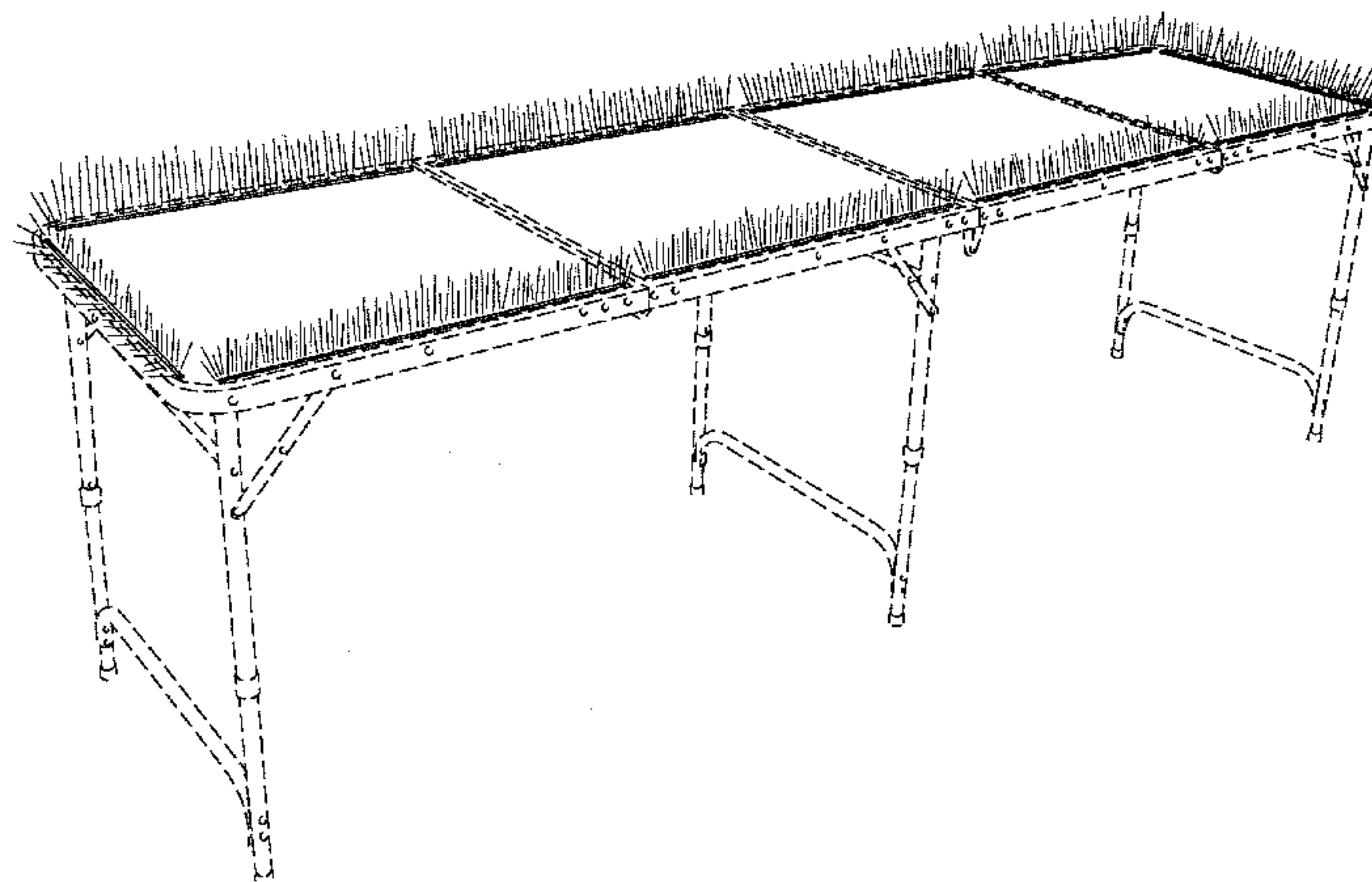
FIG. 8 is a front view of the table with illuminating perimeter thereof

FIG. 9 is a right side view of the table with illuminating perimeter thereof; and,

FIG. 10 is a left side view of the table with illuminating perimeter thereof.

The broken line showing is for environmental purposes only and forms no part of the claimed design. None of the broken lines form a part of the claimed design. The radiating lines in FIGS. 1-5 indicate illumination. The dark shading in FIGS. 6-10 compared to the same region shown unshaded in FIGS. 1-5 indicates a contrast in appearance between unlit and lit regions, and does not depict any particular color, texture, or material.

1 Claim, 10 Drawing Sheets



(56)

References Cited

U.S. PATENT DOCUMENTS

4,491,954 A * 1/1985 Genuit G09F 9/30
340/323 R
D340,301 S * 10/1993 Evans D26/58
5,305,998 A * 4/1994 Nesbit A63B 63/083
362/253
5,542,017 A * 7/1996 Koike G02B 6/00
362/33
5,941,778 A * 8/1999 Vasalech A63D 15/00
273/DIG. 24
D441,479 S * 5/2001 McCormick D26/72
D468,566 S * 1/2003 Morris D6/707.19
D492,427 S * 6/2004 Egawa D26/3
D492,428 S * 6/2004 Egawa D26/3
6,752,091 B2 6/2004 Glover et al.
D509,606 S * 9/2005 Egawa D26/3
7,156,396 B1 1/2007 Voden
D538,355 S * 3/2007 Tyson D21/317
7,325,807 B1 2/2008 Eason
7,451,709 B2 11/2008 Swartfager et al.
D605,787 S * 12/2009 Barton D26/3
7,893,953 B2 * 2/2011 Krestakos H04N 7/142
348/14.01
D654,204 S * 2/2012 Friesen D26/73
8,127,689 B2 3/2012 Christian et al.
8,156,875 B2 4/2012 Neunzert et al.
8,166,894 B1 5/2012 Branch et al.
D662,236 S * 6/2012 Matsushita D26/3
8,205,887 B2 6/2012 Wyland
D663,364 S * 7/2012 Allmandinger D21/341
8,235,389 B1 8/2012 Herro et al.
D679,439 S * 4/2013 Lai D26/75
D715,869 S * 10/2014 Dapo D21/397
8,905,406 B2 12/2014 Brown
D743,491 S 11/2015 Fissell
D754,797 S 4/2016 Fissell
2003/0161151 A1 * 8/2003 Liu H01J 61/30
362/565
2004/0070149 A1 * 4/2004 Lipscomb A47B 25/00
273/309
2005/0241551 A1 11/2005 Neunzert et al.
2006/0226606 A1 10/2006 Finley et al.
2006/0236905 A1 10/2006 Neunzert et al.

2008/0117648 A1 * 5/2008 Weiser F21S 9/035
362/555
2009/0194941 A1 8/2009 Boyd et al.
2014/0252718 A1 9/2014 Rieman

OTHER PUBLICATIONS

BPong® Beer Pong Table -Black—8-FT, Aluminum—by BPong®, <http://www.bpong.com/store/aluminum-beer-pong-tables/bpong-beer-pong-table-black-8-ft-aluminum/> depicting Beer Pong Table, 6 pgs. Accessed May 22, 2015.
Portable Super Mario Bros. Beer Pong Table—by that’snerdacious!, <http://www.thatsnerdacious.com/beer/bring-this-portable-super-mario-bros-beer-pong-table-to-your-next-party> depicting Beer Pong Table, 3 pgs. Posted Feb. 26, 2013.
Beer Pong Folding and Portable Beer Pong Table—by PartyPongTables.com, <http://www.wayfair.com/Party-Pong-Tables-Beer-Pong-Folding-and-Portable-Beer-Pong-Table-PP.BPT.BP.A-ERW1017.html> depicting Beer Pong Table, 3 pgs. Accessed May 22, 2015.
Best Choice Products® 8' Portable Beer Pong Table Foldable Outdoor Game Set—by Best Choice Products®, <http://www.amazon.com/Best-Choice-Products%C2%AE-Portable-Foldable/dp/B0055DRZ0U> depicting Beer Pong Table, 3 pgs. Accessed May 22, 2015.
Portable beer pong table—by corrie213 on instructables.com, <http://www.instructables.com/id/Portable-beer-pong-table> depicting Beer Pong Table, 4 pgs. Accessed May 22, 2015.
GoPong 8-Foot Portable Beer Pong / Tailgate Tables (Black, Football or American Flag)—by GoPong, <http://www.amazon.com/GoPong-Portable-Tailgate-Football-American/dp/B00DDPDNCQ> depicting Beer Pong Table, 2 pgs. Accessed May 22, 2015.
Design U.S. Appl. No. 29/429,066, ‘Table With Illuminating Perimeter’ (filed Aug. 7, 2012).
Notice of Allowance issued for Design U.S. Appl. No. 29/528,833, ‘Gaming Table’ (allowed Jul. 1, 2015).
Email with attachment from Nathan Fissell to Spencer Gifts (subject: ‘GlowPong 6.5’ Table sneak peek’) dated Mar. 18, 2014.
Email with attachment from Nathan Fissell to Spencer Gifts (subject: ‘GlowPong 6.5 Glowing Game Table NIS’) dated Mar. 18, 2014.

* cited by examiner

FIG. 1

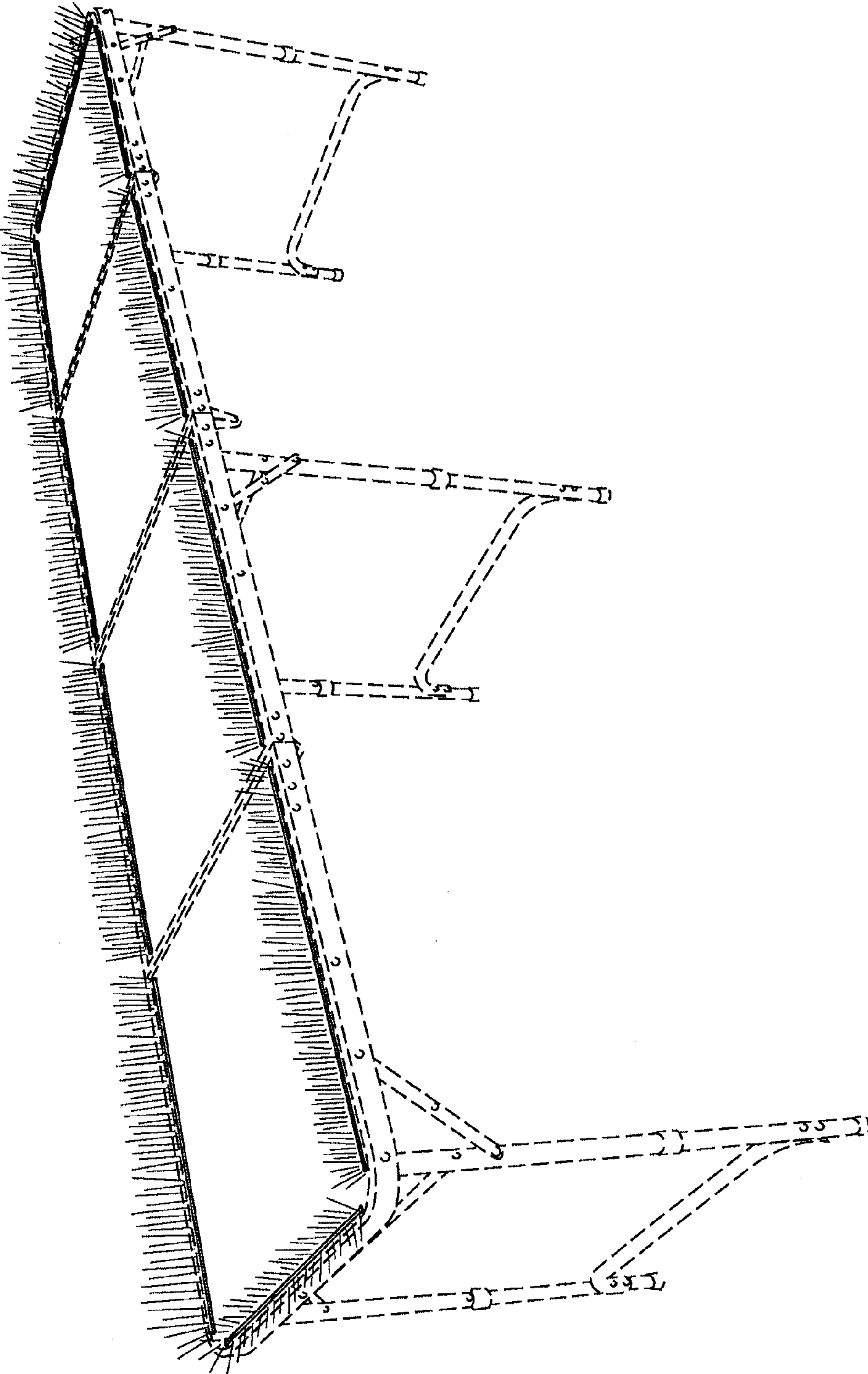


FIG. 2

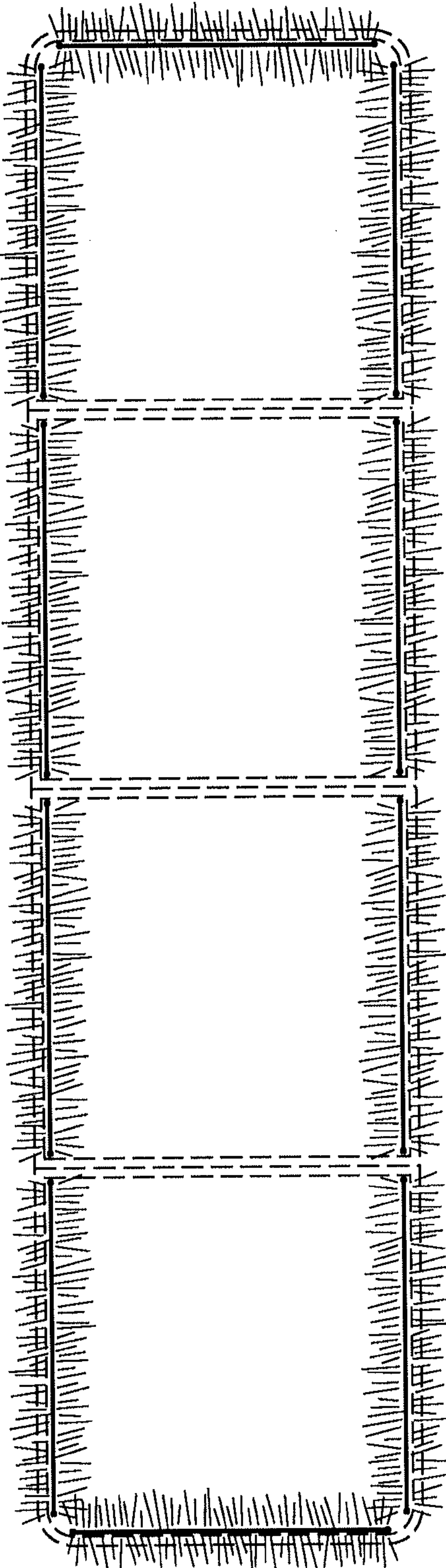


FIG. 3

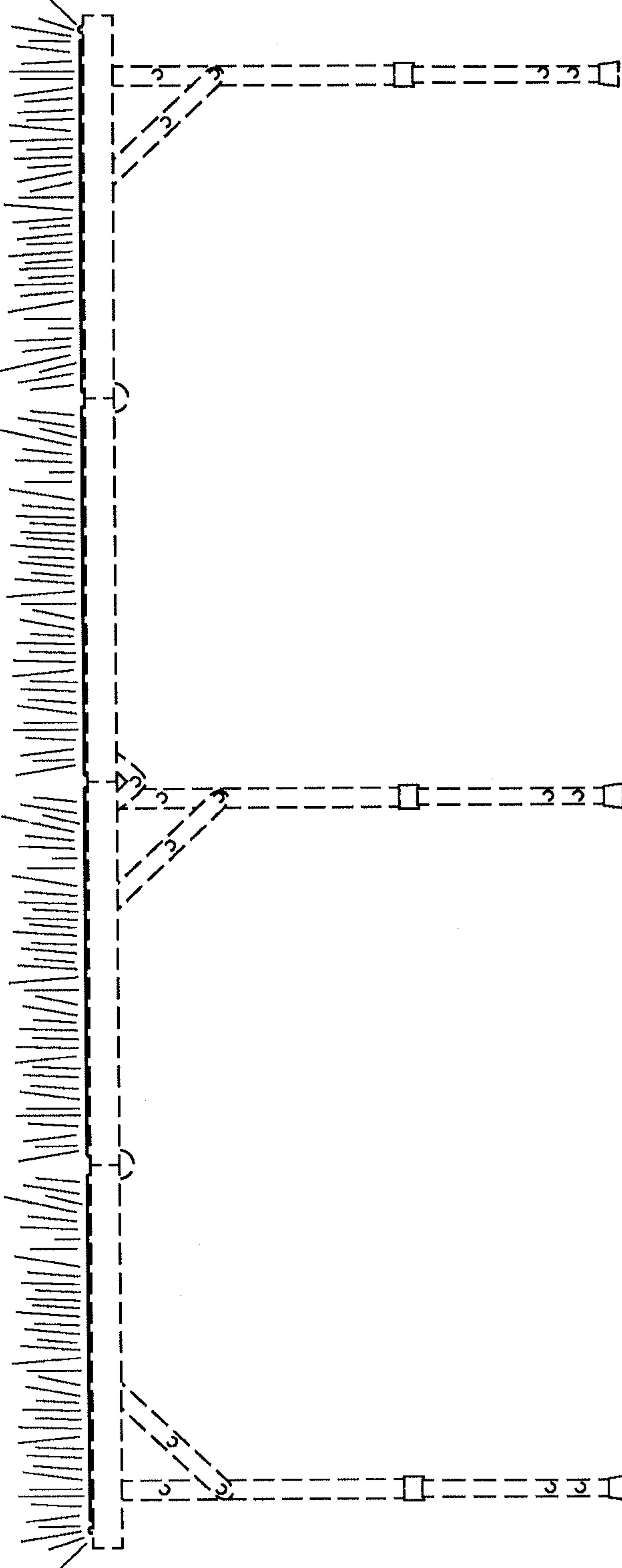


FIG. 4

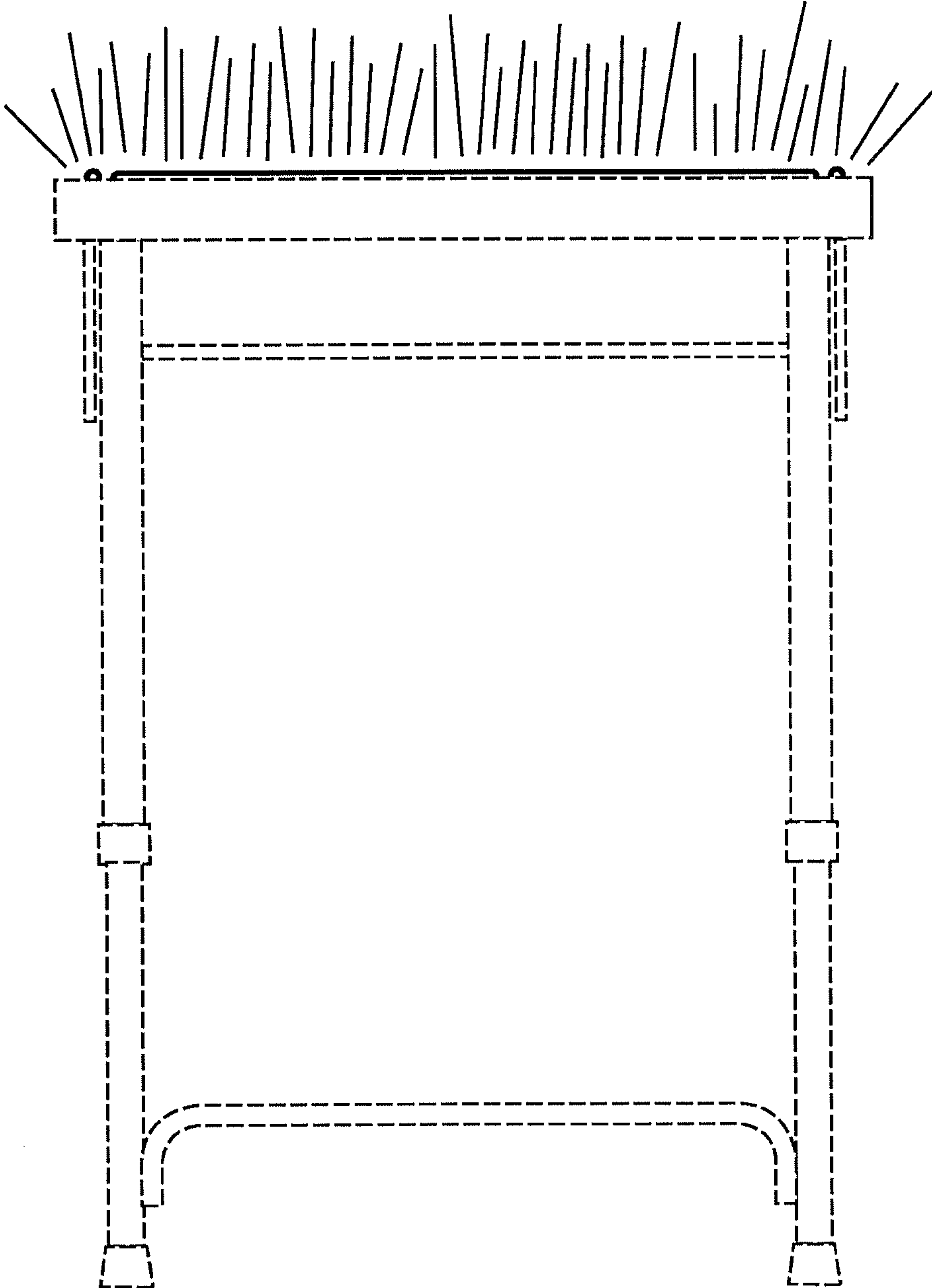


FIG. 5

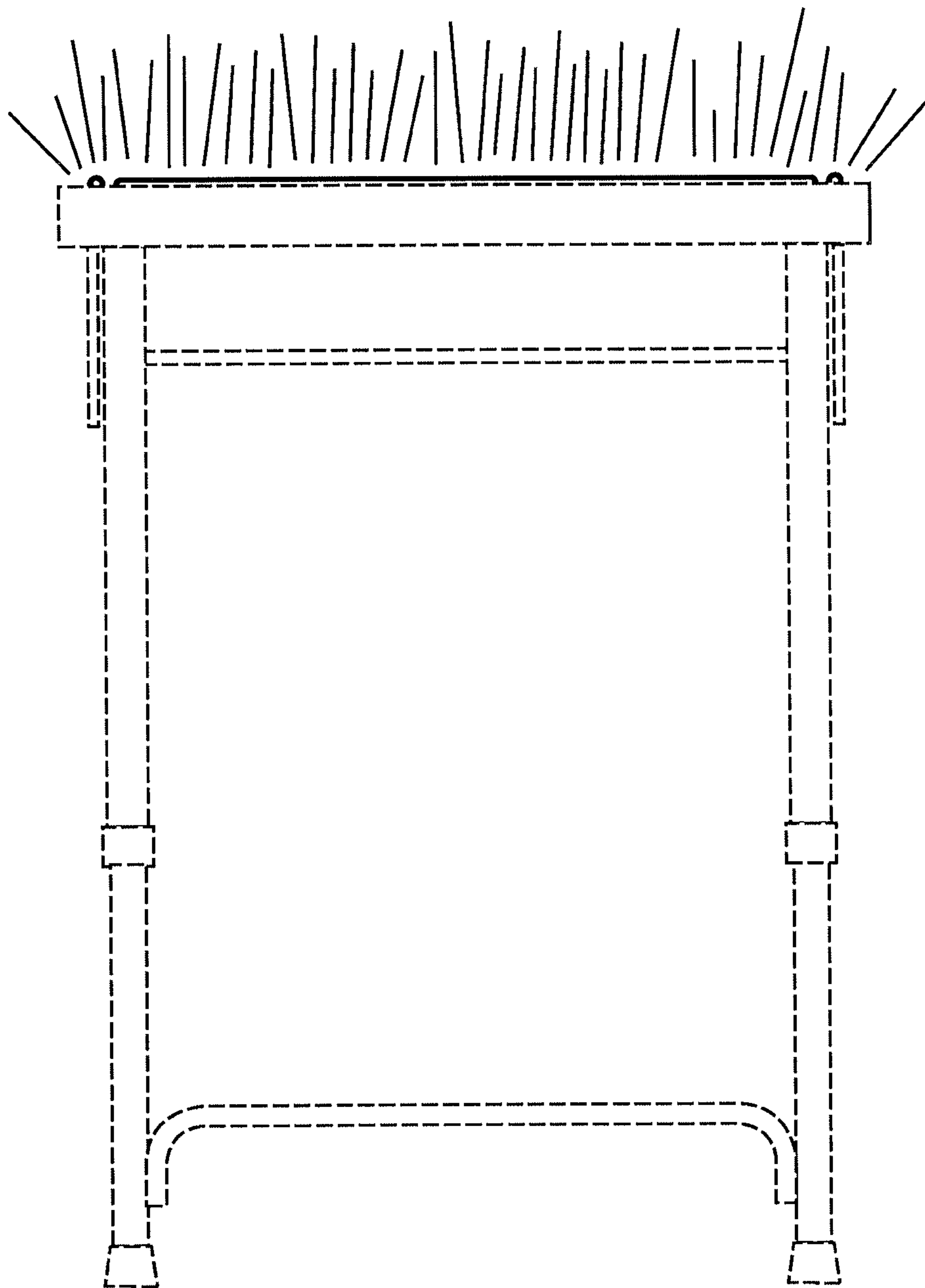


FIG. 6

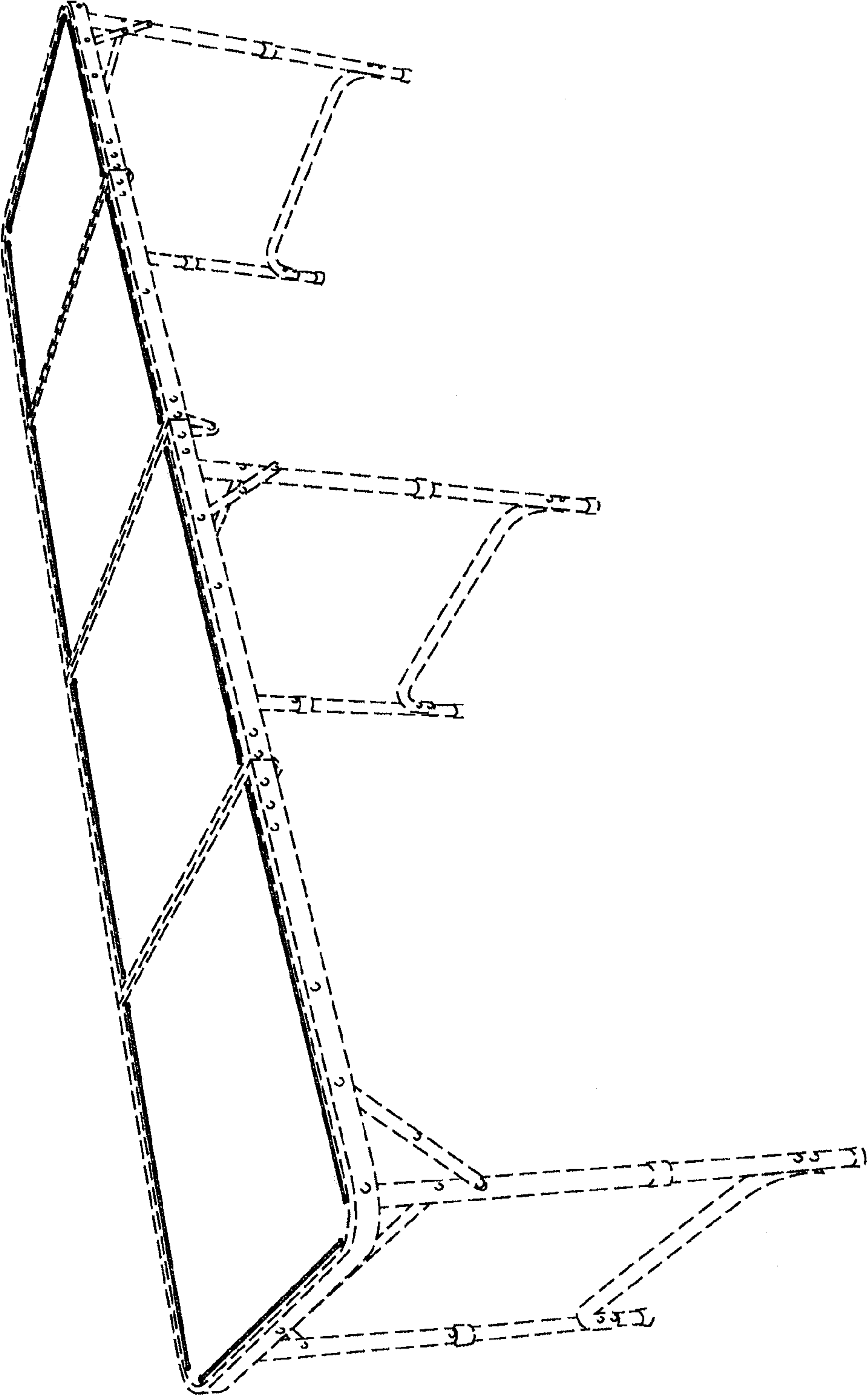


FIG. 7

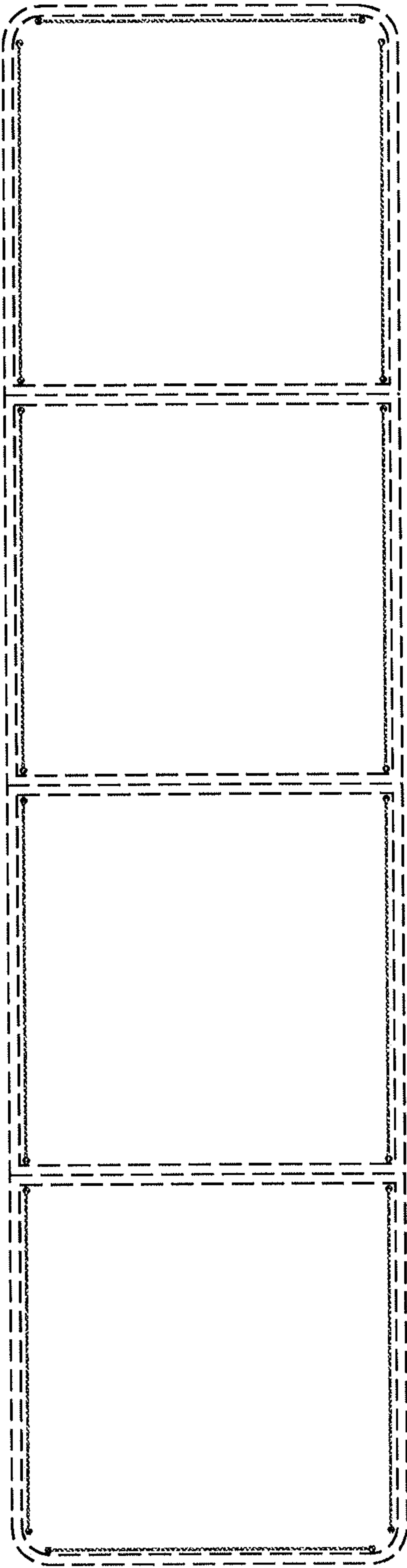


FIG. 8

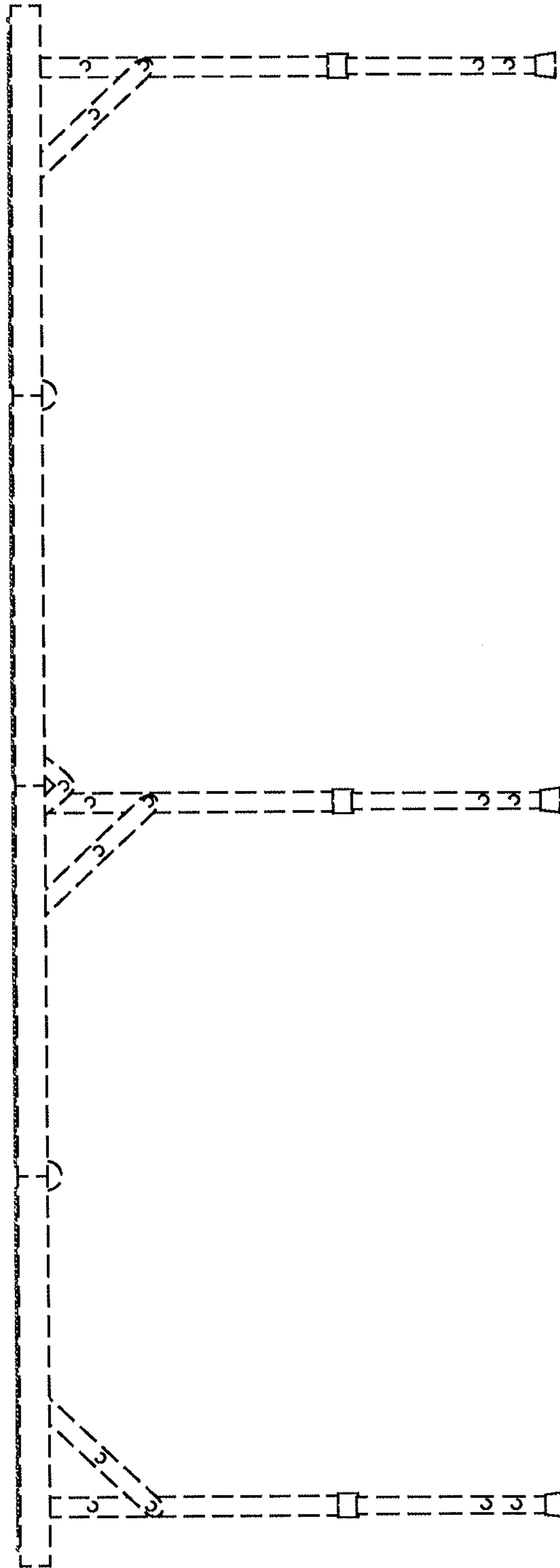


FIG. 9

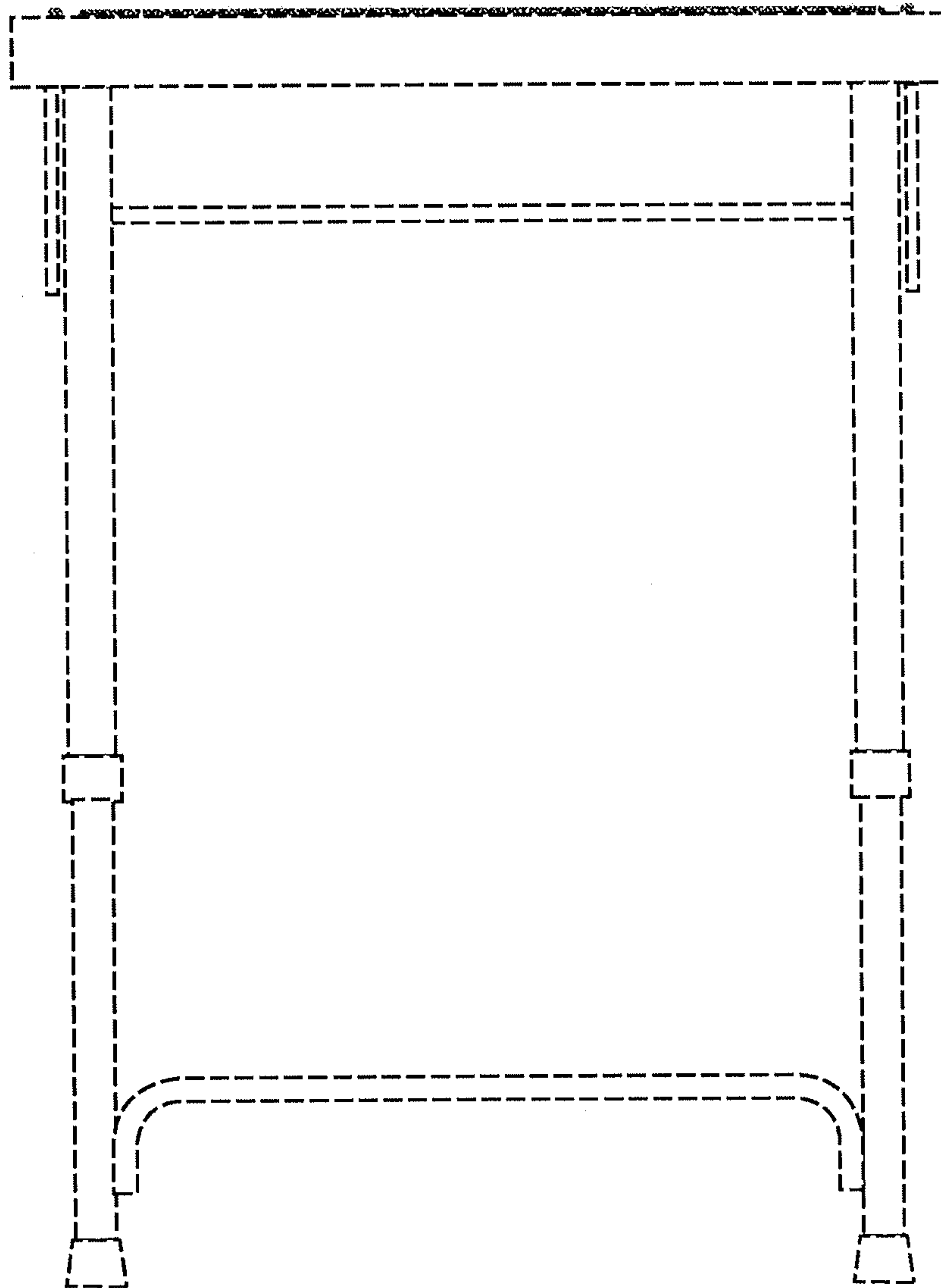


FIG. 10

