



US00D776848S

(12) **United States Design Patent** (10) **Patent No.:** **US D776,848 S**  
**Eastman, II** (45) **Date of Patent:** **\*\* Jan. 17, 2017**

(54) **POWER SUPPLY FOR A FLASHLIGHT**

(71) Applicant: **Robert Eastman, II**, Grand Blanc, MI (US)

(72) Inventor: **Robert Eastman, II**, Grand Blanc, MI (US)

(\*\*) Term: **14 Years**

(21) Appl. No.: **29/441,160**

(22) Filed: **Jan. 2, 2013**

(51) **LOC (10) Cl.** ..... **26-02**

(52) **U.S. Cl.**  
USPC ..... **D26/38; D26/113**

(58) **Field of Classification Search**  
USPC ..... D26/37, 38, 40, 45, 46, 49, 51; 362/157, 362/158, 184, 183, 194-196, 200-208, 362/253; D13/108, 113  
CPC ..... F21V 33/00; F21V 14/025; F21V 21/406; F21Y 2101/02; F21L 17/00; F21L 13/08; H02J 2007/0062  
See application file for complete search history.

7,375,494	B2 *	5/2008	Daniel et al.	.....	320/112
D583,972	S *	12/2008	Shiu	.....	D26/49
D598,374	S *	8/2009	Sasada	.....	D13/108
D631,837	S *	2/2011	Smith et al.	.....	D13/108
D636,512	S *	4/2011	Heath et al.	.....	D26/49
D645,816	S *	9/2011	Sasada et al.	.....	D13/108
D645,817	S *	9/2011	Sasada et al.	.....	D13/108
D647,232	S *	10/2011	Liu	.....	D26/49
D665,346	S *	8/2012	Kumagai et al.	.....	D13/108
D688,402	S *	8/2013	Roshak et al.	.....	D26/49
D703,134	S *	4/2014	Wong	.....	D13/108
D704,368	S *	5/2014	Opolka	.....	D26/49
D706,969	S *	6/2014	Casciotti et al.	.....	D26/49
D719,694	S *	12/2014	Nawaz	.....	D26/38
D730,823	S *	6/2015	Leung	.....	D13/108

\* cited by examiner

*Primary Examiner* — Ian Simmons  
*Assistant Examiner* — Carissa C Fitts  
(74) *Attorney, Agent, or Firm* — The Weintraub Group, P.L.C.

(57) **CLAIM**

The ornamental design for a power supply for a flashlight, as shown and described.

(56) **References Cited**

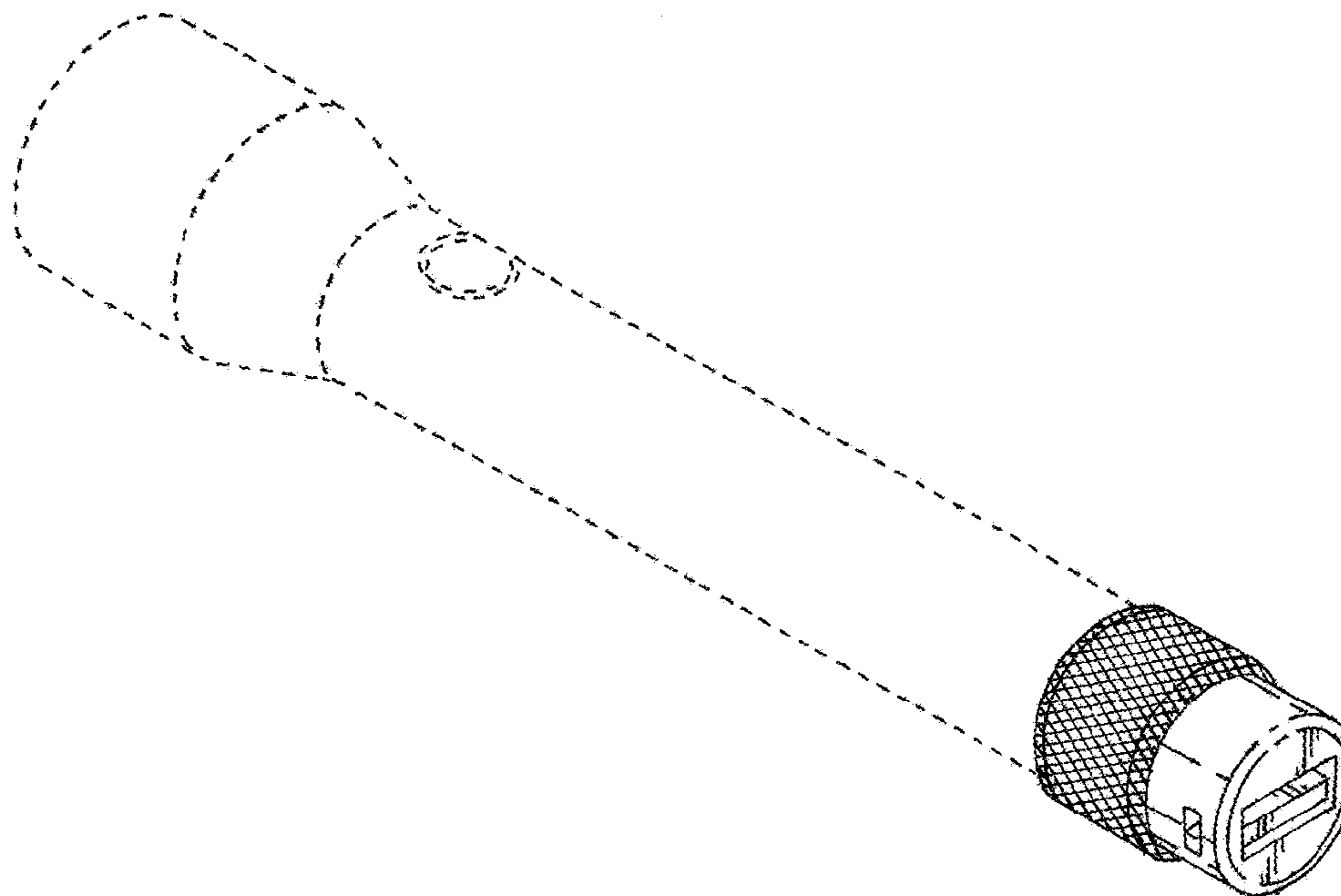
U.S. PATENT DOCUMENTS

D495,442	S *	8/2004	Packard	.....	D26/37
D497,020	S *	10/2004	Lee	.....	D26/49
D501,942	S *	2/2005	Saunders	.....	D26/37
D504,529	S *	4/2005	Vickers et al.	.....	D26/37
D509,008	S *	8/2005	Shiu	.....	D26/37
D515,719	S *	2/2006	Shiu	.....	D26/37
D518,583	S *	4/2006	Vickers et al.	.....	D26/37
D521,166	S *	5/2006	Yamamoto et al.	.....	D26/37
D565,770	S *	4/2008	Shiu	.....	D26/49
D567,416	S *	4/2008	Shiu	.....	D26/37

**DESCRIPTION**

FIG. 1 is a perspective view of a power supply for a flashlight showing my new design; FIG. 2 is a side elevational view thereof; FIG. 3 is a first end view thereof; and, FIG. 4 is a second side elevational view as seen from the side opposite that of FIG. 2. The broken line showing is for environmental purposes only and forms no part of the claimed design.

**1 Claim, 2 Drawing Sheets**



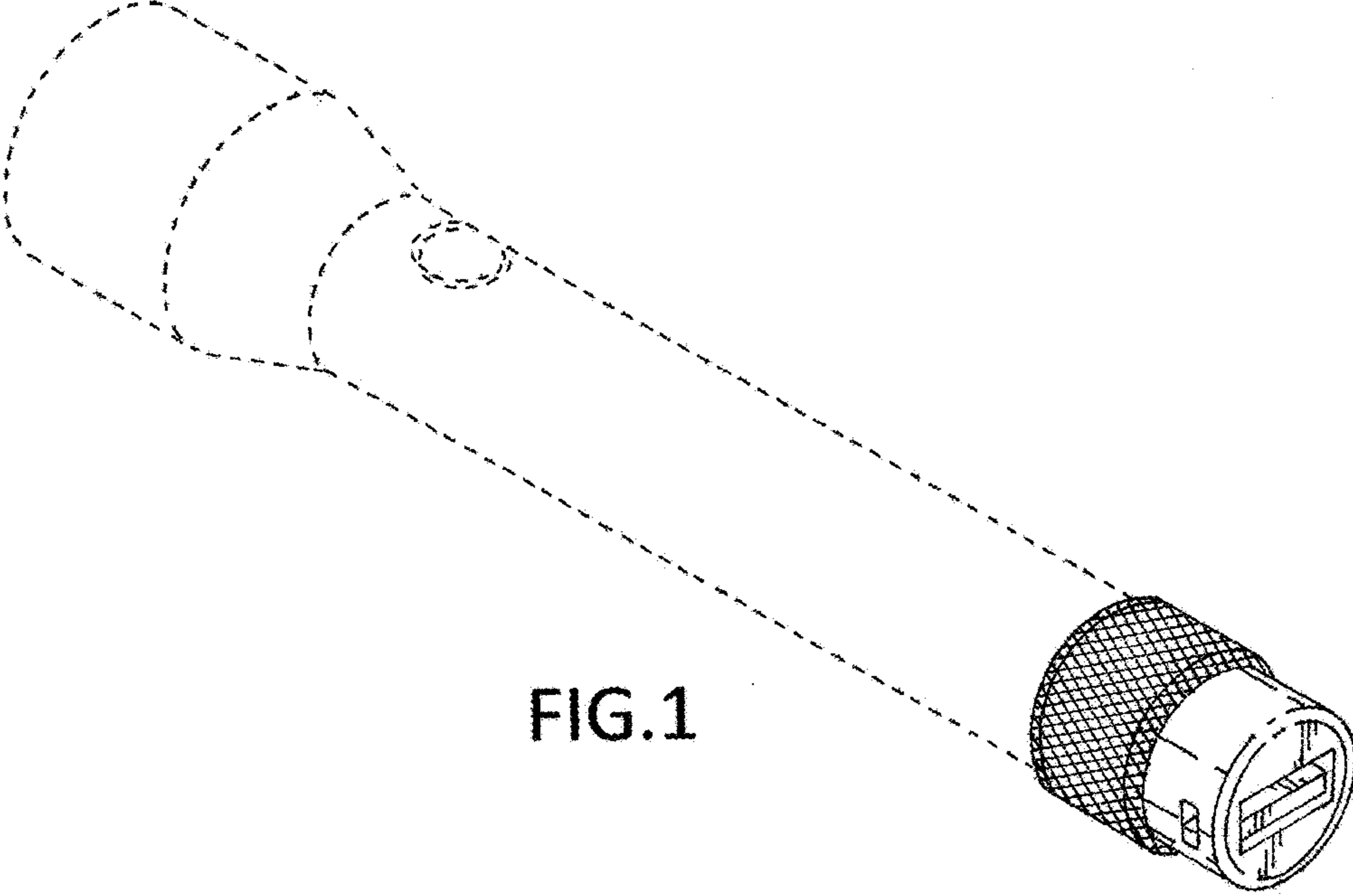


FIG.1

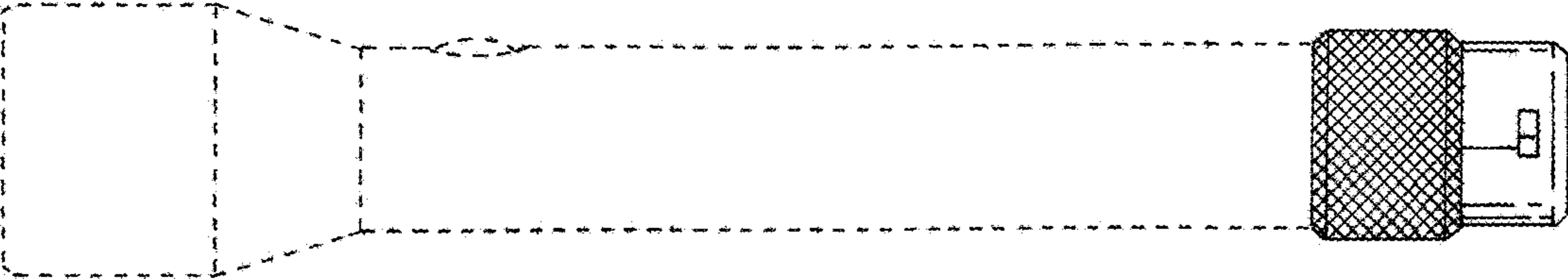


FIG.2

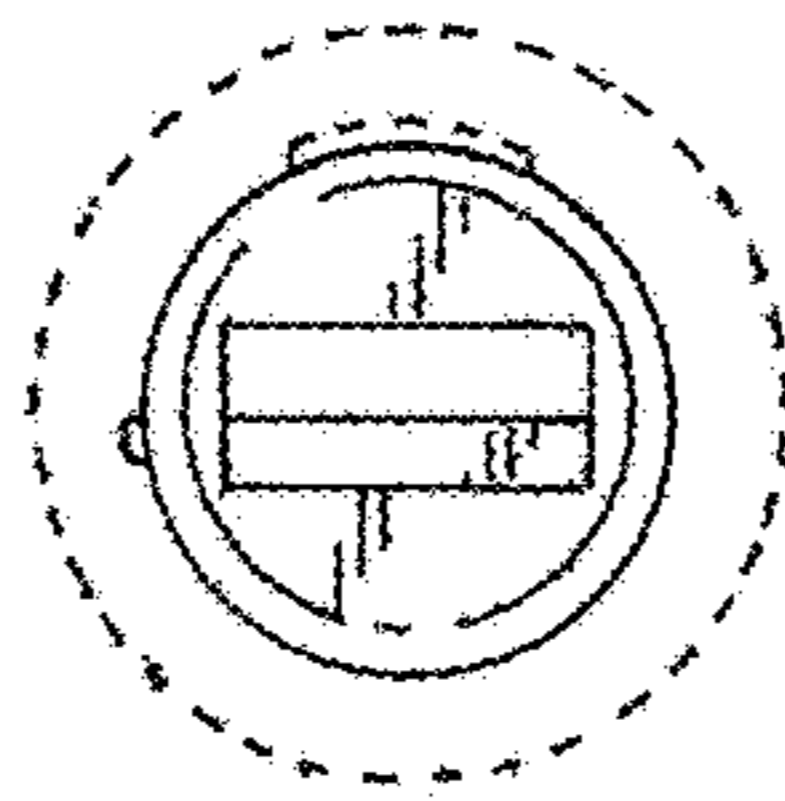


FIG. 3

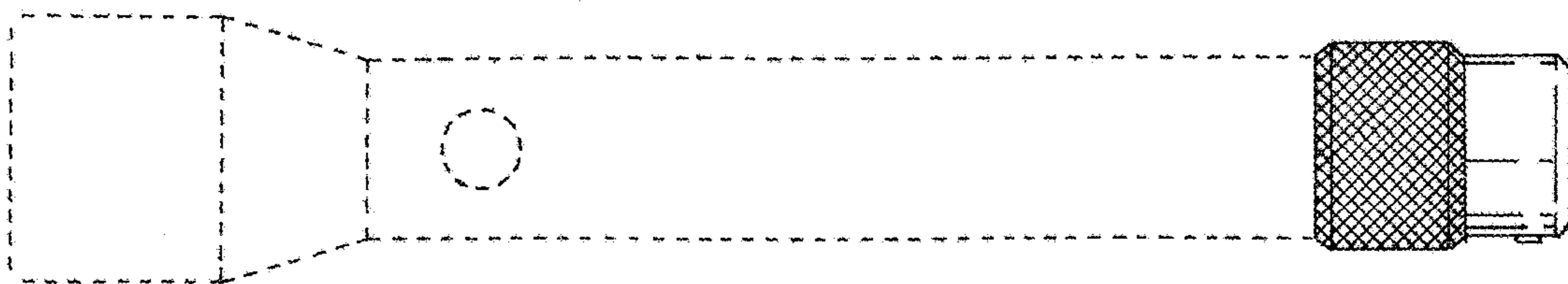


FIG. 4