



US00D776846S

(12) **United States Design Patent** (10) **Patent No.:** **US D776,846 S**  
**Willett et al.** (45) **Date of Patent:** **\*\* Jan. 17, 2017**

(54) **VEHICLE REAR TAILLAMP**  
(71) Applicant: **GM Global Technology Operations LLC, Detroit, MI (US)**  
(72) Inventors: **Candice M. Willett, Commerce Township, MI (US); Frank Wu, Sterling Heights, MI (US)**  
(73) Assignee: **GM Global Technology Operations LLC, Detroit, MI (US)**  
(\*\*) Term: **15 Years**  
(21) Appl. No.: **29/541,933**  
(22) Filed: **Oct. 9, 2015**  
(51) **LOC (10) Cl.** ..... **26-06**  
(52) **U.S. Cl.**  
USPC ..... **D26/28**  
(58) **Field of Classification Search**  
USPC ..... D26/28-36; 362/61, 80-83, 267-269, 362/459-468, 475-478, 485-487  
CPC ..... F21S 48/00; F21S 48/10; F21S 48/115; F21S 48/225; F21S 48/1233; F21S 48/1266; F21S 48/1388; F21S 48/2268; F21V 21/04  
See application file for complete search history.

(56) **References Cited**

**U.S. PATENT DOCUMENTS**

D570,742 S	6/2008	Takagi et al.	
D586,020 S *	2/2009	Hsu .....	D26/28
D586,023 S *	2/2009	Hsu .....	D26/28
D592,105 S	5/2009	Dean et al.	
D597,447 S	8/2009	Folden	
D600,595 S	9/2009	Nakamura et al.	
D601,925 S	10/2009	O'Donnell	
D603,755 S	11/2009	Peters	
D604,203 S	11/2009	O'Donnell	

D605,082 S	12/2009	Munson	
D605,083 S	12/2009	Manoogian, II et al.	
D605,977 S	12/2009	Zipfel et al.	
D605,978 S	12/2009	Wolff et al.	
D608,249 S	1/2010	Peters	
D608,690 S	1/2010	Folden et al.	
D608,691 S	1/2010	Zak, Jr. et al.	
D609,608 S	2/2010	Boniface et al.	
D611,387 S	3/2010	Thompson et al.	
D611,879 S	3/2010	Kim et al.	
D612,297 S	3/2010	Peters et al.	
D613,645 S	4/2010	Song et al.	
D615,458 S	5/2010	Thompson et al.	
D618,595 S	6/2010	Ware et al.	
D623,090 S	9/2010	Cox et al.	
D627,262 S	11/2010	Ikeda et al.	
D635,488 S	4/2011	Phipps	
D644,147 S	8/2011	Suh et al.	
D644,567 S	9/2011	Kozub	
D657,718 S	4/2012	Zipfel et al.	
D659,052 S	5/2012	Ware et al.	
D659,053 S	5/2012	Ware et al.	
D668,182 S	10/2012	Franco	
D668,183 S	10/2012	Smart	
D674,939 S *	1/2013	Lai .....	D26/28

(Continued)

*Primary Examiner* — Marcus Jackson  
(74) *Attorney, Agent, or Firm* — Reising Ethington P.C.

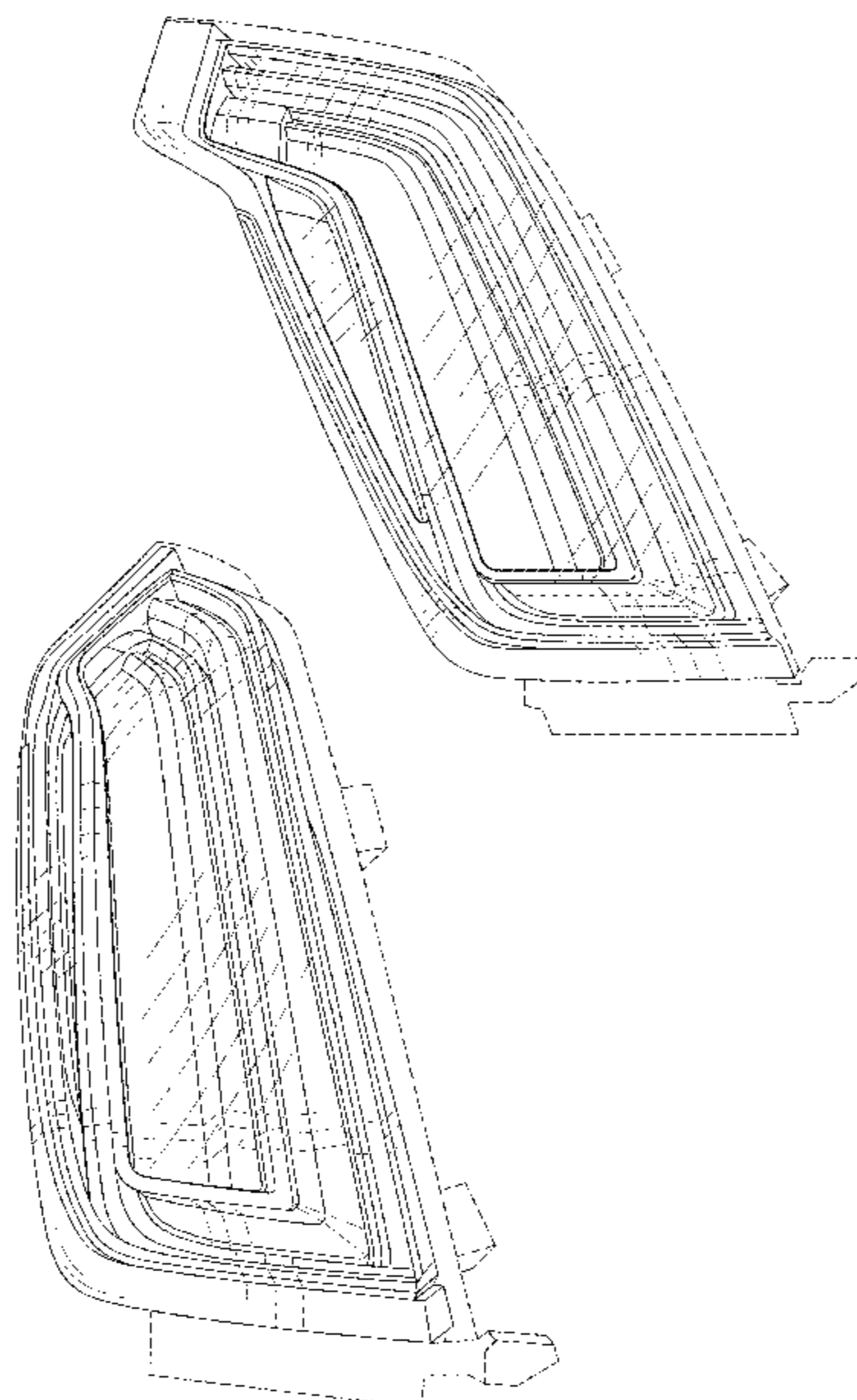
(57) **CLAIM**

The ornamental design for a vehicle rear taillamp, as shown and described.

**DESCRIPTION**

FIG. 1 is a perspective view of the vehicle rear taillamp; FIG. 2 is a front view thereof; FIG. 3 is a side view thereof; and, FIG. 4 is a top view thereof. In the drawings, the portions shown by broken lines form no part of the claimed design.

**1 Claim, 2 Drawing Sheets**



(56)

**References Cited**

U.S. PATENT DOCUMENTS

D678,820 S	3/2013	Son et al.		D717,696 S	11/2014	Thole et al.
D678,821 S	3/2013	Ikeda et al.		D718,189 S	11/2014	Krieg et al.
D680,909 S	4/2013	Munson et al.		D718,683 S	12/2014	Thole et al.
D680,910 S	4/2013	David		D722,282 S	2/2015	Loeb
D684,899 S	6/2013	Baker		D722,533 S	2/2015	Thole et al.
D686,536 S	7/2013	McCabe et al.		D722,534 S	2/2015	Munson et al.
D692,798 S	11/2013	Thurber		D724,510 S	3/2015	McMahan et al.
D692,799 S	11/2013	Smith et al.		D725,001 S	3/2015	McMahan et al.
D696,157 S	12/2013	Loeb		D726,591 S	4/2015	Jacob
D699,629 S	2/2014	Ikeda et al.		D730,776 S	6/2015	Smart
D700,871 S	3/2014	O'Donnell et al.		D730,783 S	6/2015	Henriques et al.
D703,103 S	4/2014	Lee		D732,427 S	6/2015	Loeb
D704,103 S	5/2014	Mack et al.		D732,429 S	6/2015	Loeb
D705,132 S	5/2014	Ware et al.		D732,430 S	6/2015	Loeb
D705,699 S	5/2014	Ware et al.		D732,431 S	6/2015	Loeb
D705,962 S *	5/2014	Hildebrand .....	D26/28	D732,432 S	6/2015	Aengenheyster
D713,298 S	9/2014	Dyson		D732,433 S	6/2015	Aengenheyster
D713,764 S	9/2014	Ferlazzo		D732,435 S	6/2015	Mackay
D714,982 S *	10/2014	Lai .....	D26/28	D733,002 S	6/2015	Loeb
D716,696 S	11/2014	Thole et al.		D735,611 S	8/2015	Aengenheyster
D716,706 S	11/2014	Thole et al.		D735,627 S	8/2015	Smith
D716,709 S	11/2014	Thole et al.		D736,451 S	8/2015	Smith
				D739,306 S	9/2015	McMahan et al.
				D739,317 S	9/2015	McMahan et al.

\* cited by examiner

Fig. 1

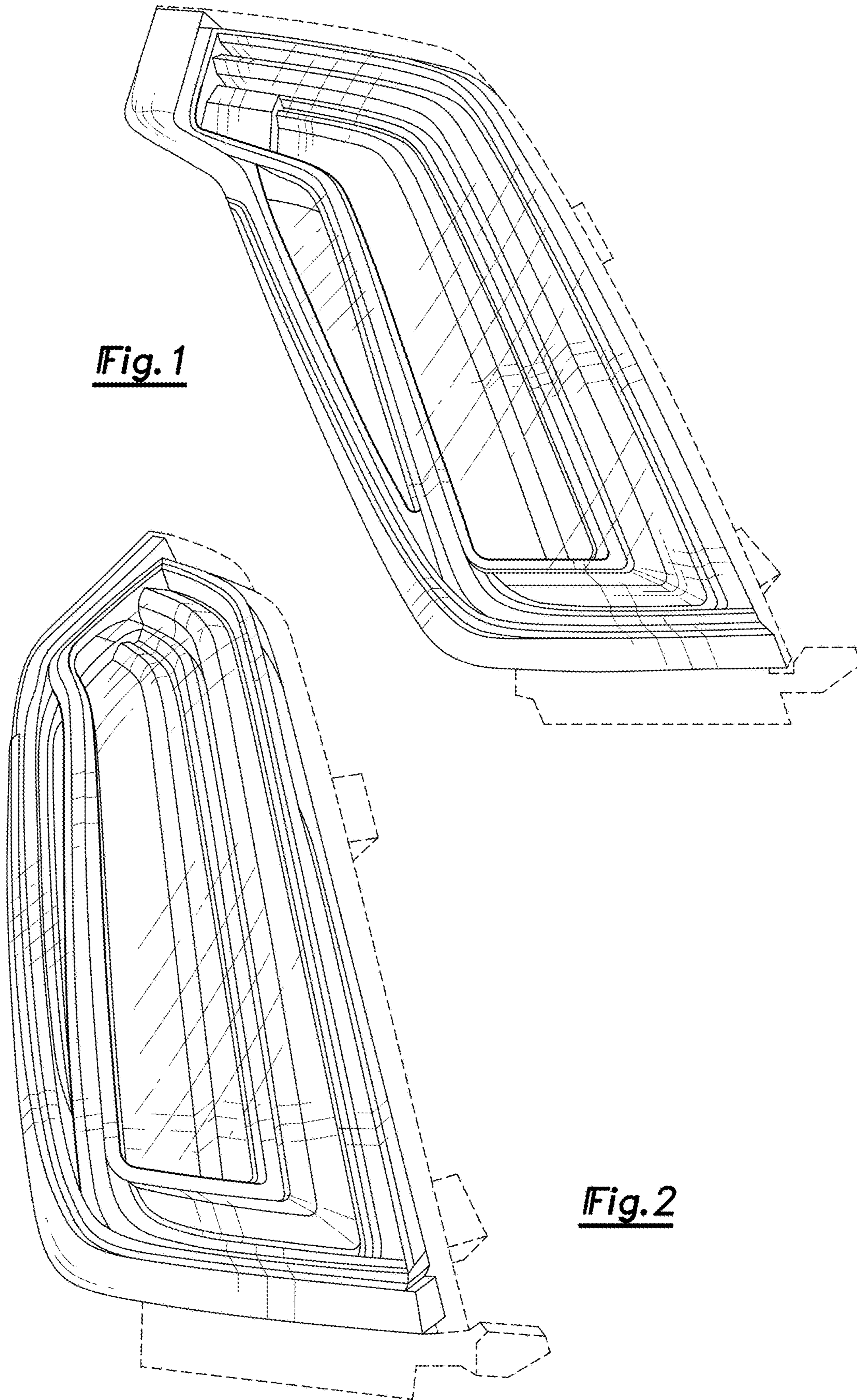


Fig. 2

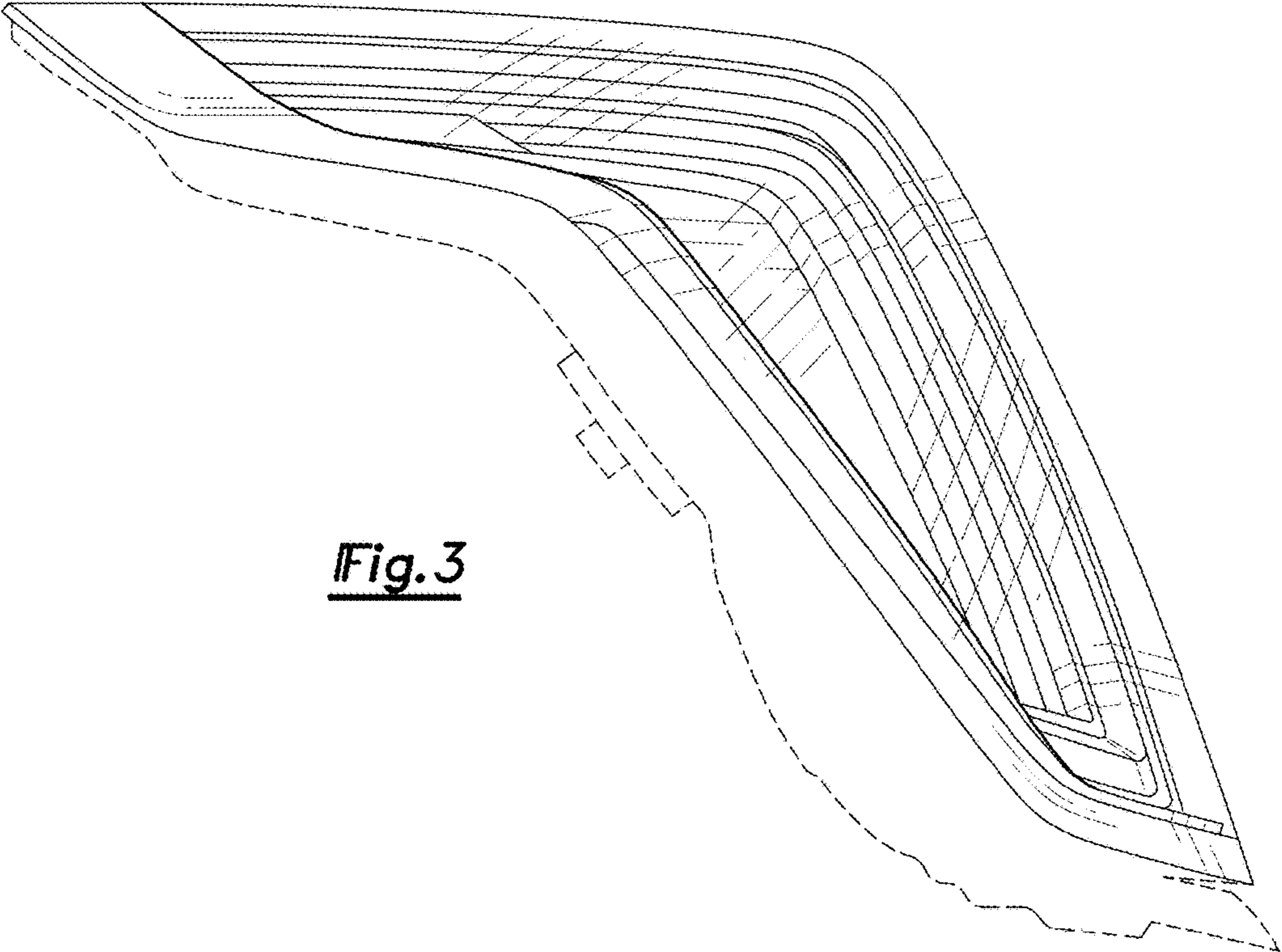


Fig. 3

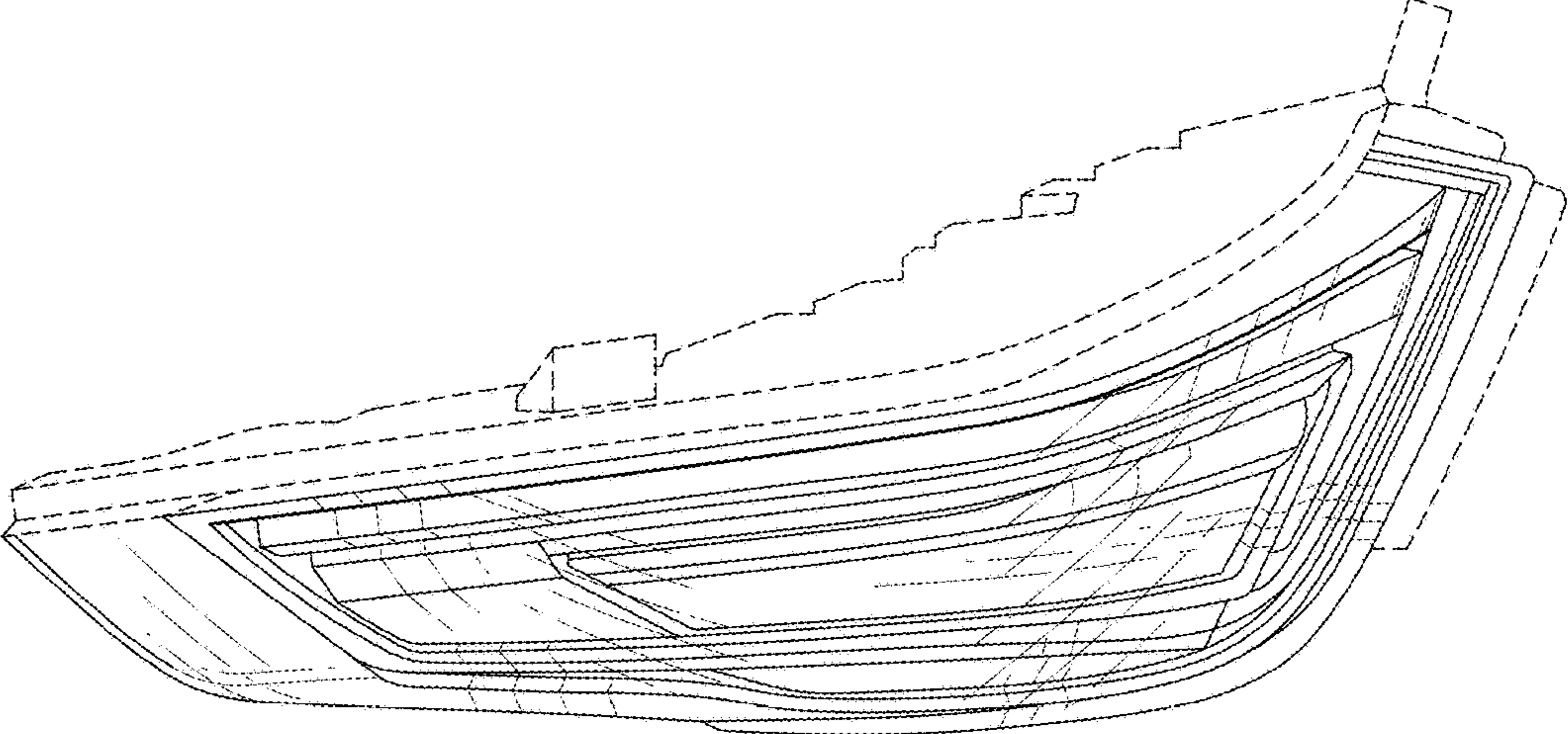


Fig. 4