



US00D776841S

(12) **United States Design Patent** (10) **Patent No.:** **US D776,841 S**
Kozub et al. (45) **Date of Patent:** **** Jan. 17, 2017**

(54) **VEHICLE FRONT HEADLAMP**
(71) Applicant: **GM GLOBAL TECHNOLOGY OPERATIONS LLC**, Detroit, MI (US)
(72) Inventors: **Timothy P. Kozub**, Troy, MI (US); **Evan Mai**, Ypsilanti, MI (US); **Gary W. Ruiz**, Royal Oak, MI (US)
(73) Assignee: **GM Global Technology Operations LLC**, Detroit, MI (US)
(**) Term: **15 Years**
(21) Appl. No.: **29/535,398**
(22) Filed: **Aug. 6, 2015**
(51) **LOC (10) Cl.** **26-05**
(52) **U.S. Cl.**
USPC **D26/28**
(58) **Field of Classification Search**
USPC D26/28-36; 362/459-468, 475-478, 362/485-487
CPC F21S 48/00; F21S 48/10; F21S 48/115; F21S 48/225; F21S 48/1233; F21S 48/1266; F21S 48/1388; F21S 48/2268; F21V 21/04
See application file for complete search history.

D605,082 S 12/2009 Munson
D605,083 S 12/2009 Manoogian, II et al.
D605,977 S 12/2009 Zipfel et al.
D605,978 S 12/2009 Wolff et al.
D608,249 S 1/2010 Peters
D608,690 S 1/2010 Folden et al.
D608,691 S 1/2010 Zak, Jr. et al.
D609,608 S 2/2010 Boniface et al.
D611,387 S 3/2010 Thompson et al.
D611,879 S 3/2010 Kim et al.
D612,297 S 3/2010 Peters et al.
D613,645 S 4/2010 Song et al.
D615,458 S 5/2010 Thompson et al.
D618,595 S 6/2010 Ware et al.
D623,090 S 9/2010 Cox et al.
D627,262 S 11/2010 Ikeda et al.
D635,488 S 4/2011 Phipps
D644,147 S 8/2011 Suh et al.
D644,567 S 9/2011 Kozub
D657,718 S 4/2012 Zipfel et al.
D659,052 S 5/2012 Ware et al.
D659,053 S 5/2012 Ware et al.
D668,182 S 10/2012 Franco
D668,183 S 10/2012 Smart
D678,820 S 3/2013 Son et al.

(Continued)

Primary Examiner — Angela J Lee
(74) *Attorney, Agent, or Firm* — Reising Ethington P.C.

(57) **CLAIM**

The ornamental design for a vehicle front headlamp, as shown and described.

DESCRIPTION

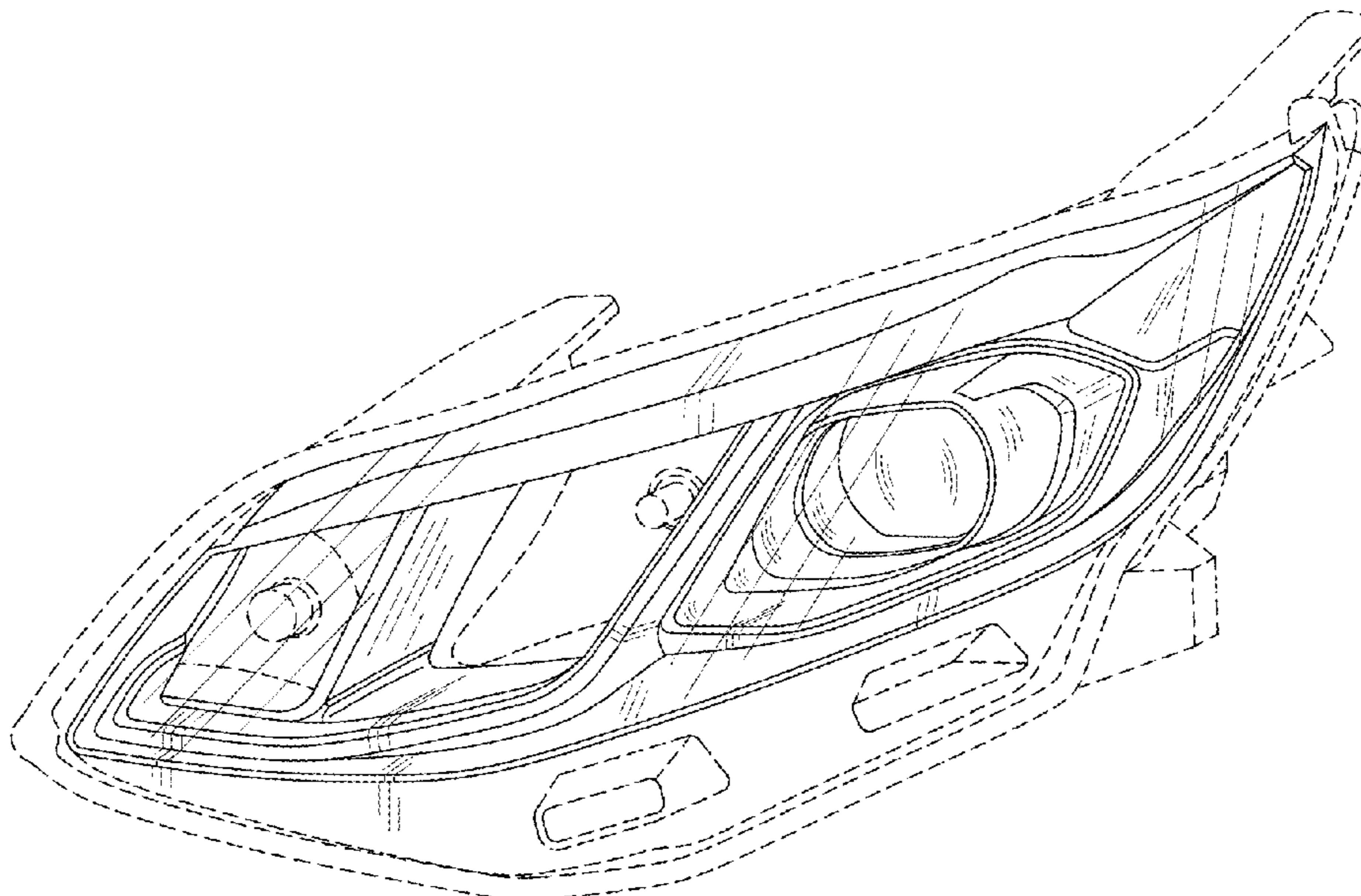
FIG. 1 is a perspective view of the vehicle front headlamp; FIG. 2 is a front view thereof; FIG. 3 is a side elevation view thereof; and, FIG. 4 is a top plan view thereof. In the drawings, the portions shown by broken lines form no part of the claimed design.

1 Claim, 2 Drawing Sheets

(56) **References Cited**

U.S. PATENT DOCUMENTS

D495,813 S * 9/2004 Lin D26/28
D549,857 S * 8/2007 Lin D26/28
D570,742 S 6/2008 Takagi et al.
D592,105 S 5/2009 Dean et al.
D597,447 S 8/2009 Folden
D600,595 S 9/2009 Nakamura et al.
D601,925 S 10/2009 O'Donnell
D603,755 S 11/2009 Peters
D604,203 S 11/2009 O'Donnell



(56)

References Cited

U.S. PATENT DOCUMENTS

D678,821 S 3/2013 Ikeda et al.
 D680,909 S 4/2013 Munson et al.
 D680,910 S 4/2013 David
 D684,899 S 6/2013 Baker
 D686,536 S 7/2013 McCabe et al.
 D692,798 S 11/2013 Thurber
 D692,799 S 11/2013 Smith et al.
 D696,157 S 12/2013 Loeb
 D699,629 S 2/2014 Ikeda et al.
 D700,871 S 3/2014 O'Donnell et al.
 D703,103 S 4/2014 Lee
 D704,103 S 5/2014 Mack et al.
 D705,132 S 5/2014 Ware et al.
 D705,699 S 5/2014 Ware et al.
 D710,044 S * 7/2014 Lai D26/28
 D713,298 S 9/2014 Dyson
 D713,764 S 9/2014 Ferlazzo
 D716,696 S 11/2014 Thole et al.
 D716,706 S 11/2014 Thole et al.
 D716,709 S 11/2014 Thole et al.

D717,696 S 11/2014 Thole et al.
 D718,189 S 11/2014 Krieg et al.
 D718,683 S 12/2014 Thole et al.
 D722,282 S 2/2015 Loeb
 D722,533 S 2/2015 Thole et al.
 D722,534 S 2/2015 Munson et al.
 D724,510 S 3/2015 McMahan et al.
 D725,001 S 3/2015 McMahan et al.
 D728,135 S * 4/2015 Ha D26/28
 D730,776 S 6/2015 Smart
 D730,783 S 6/2015 Henriques et al.
 D732,435 S 6/2015 Mackay
 D735,627 S 8/2015 Smith
 D736,451 S 8/2015 Smith
 D740,981 S * 10/2015 Hanaoka D26/28
 D756,005 S * 5/2016 Handt D26/28
 D756,551 S * 5/2016 Handt D26/28
 D758,626 S * 6/2016 Sperling D26/28
 D760,413 S * 6/2016 Shim D26/28
 D760,932 S * 7/2016 Huang D26/28
 D761,454 S * 7/2016 Futschik D26/28
 D761,463 S * 7/2016 Lai D26/28
 D761,981 S * 7/2016 Tsutamori D26/28

* cited by examiner

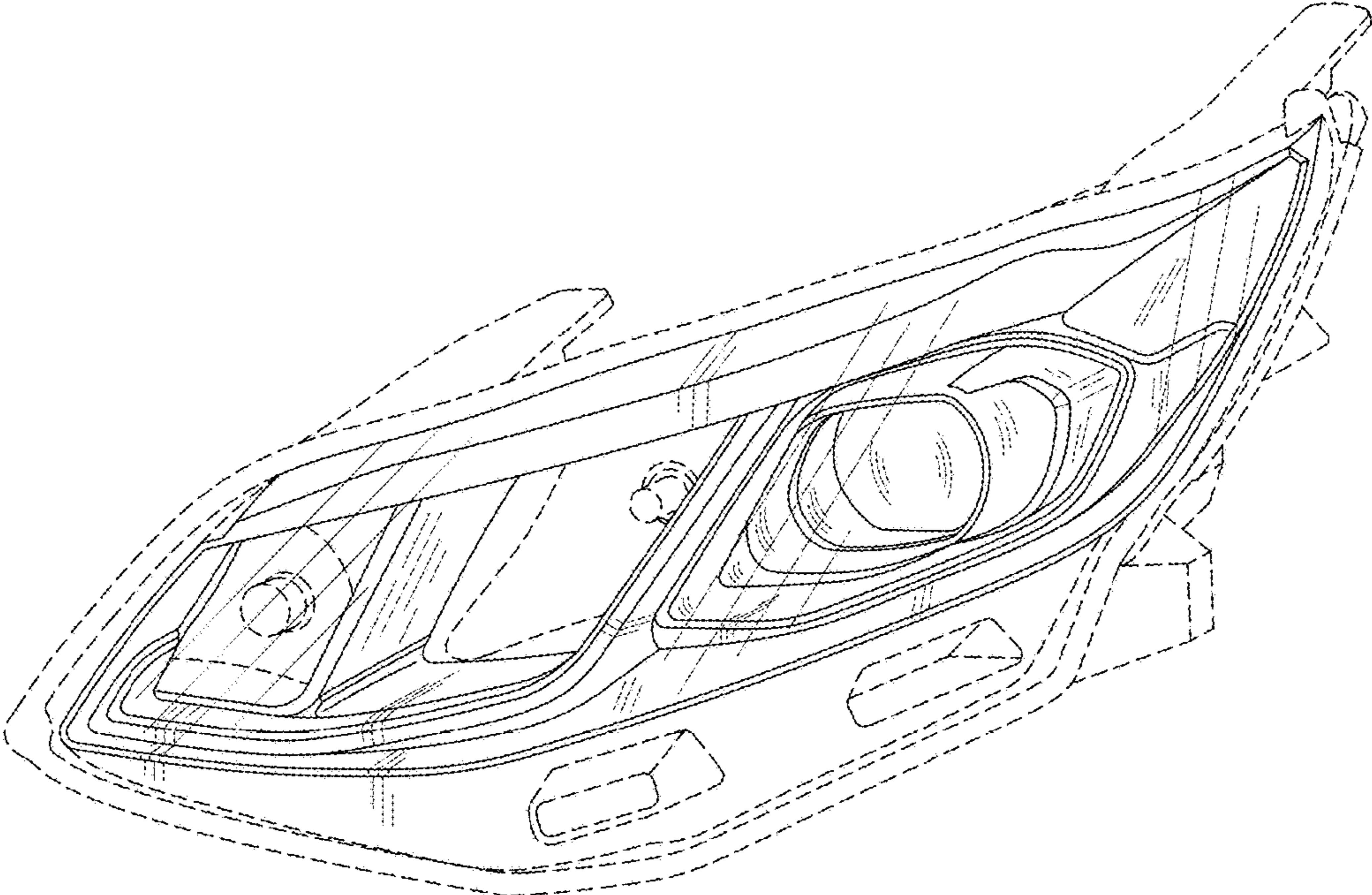


Fig. 1

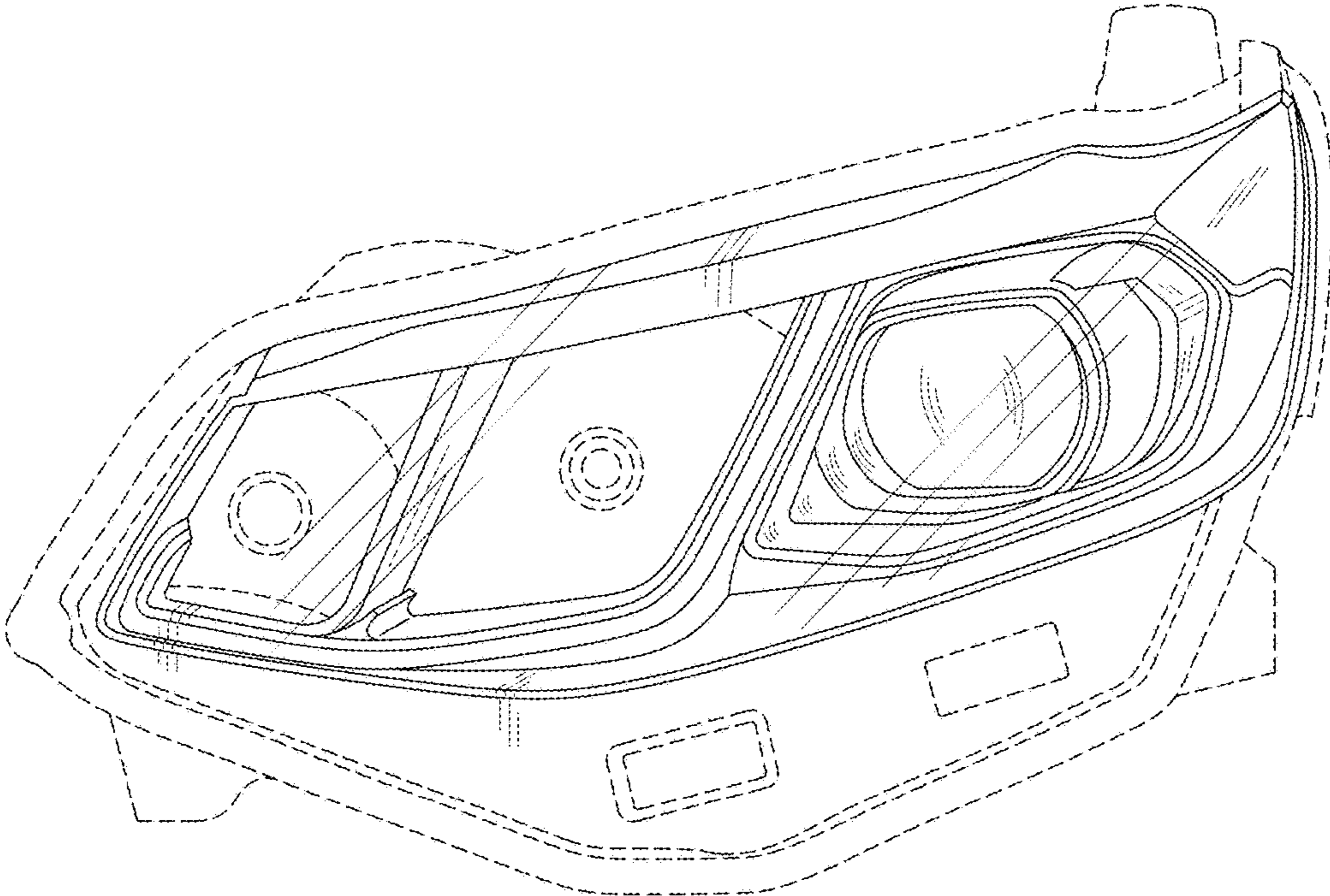


Fig. 2

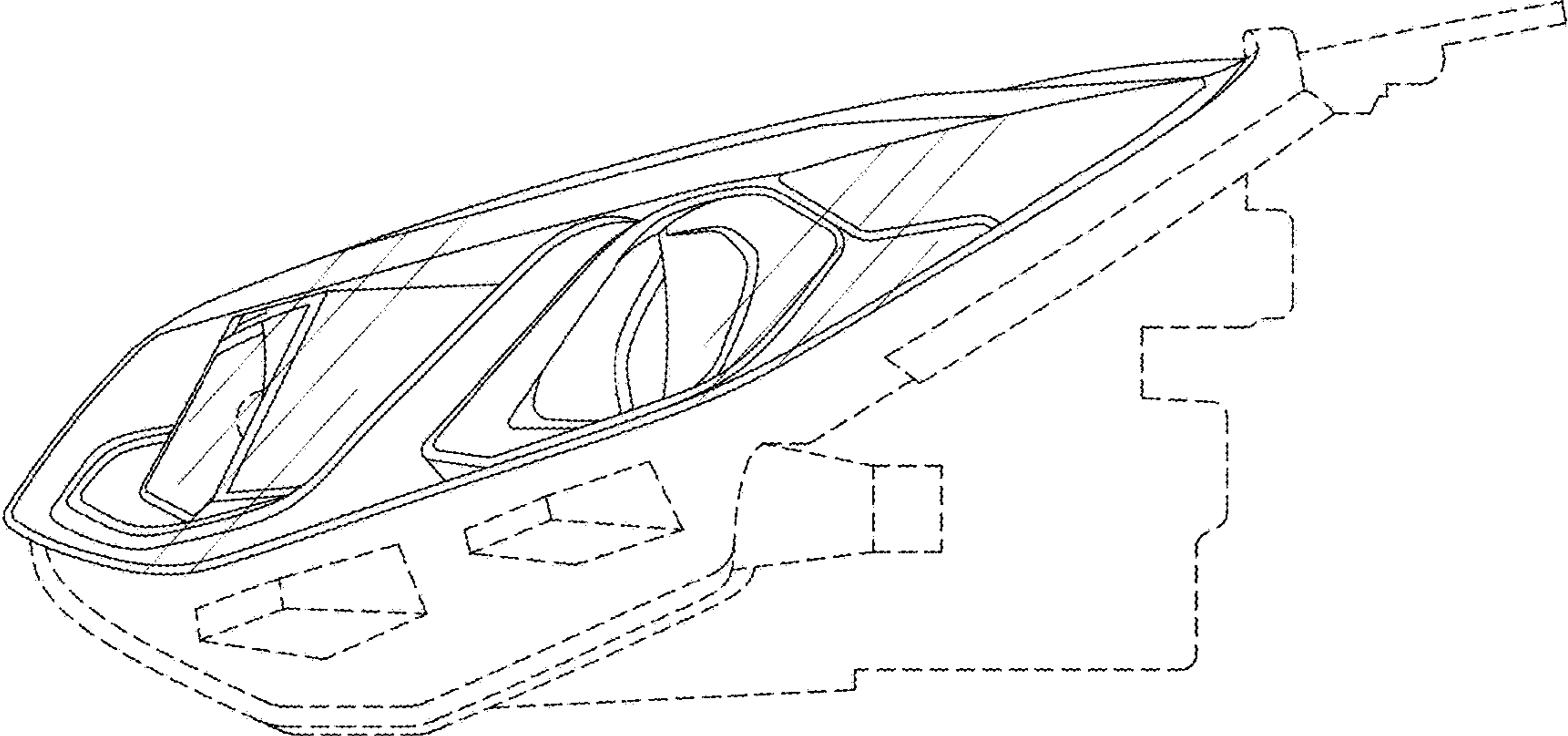


Fig. 3

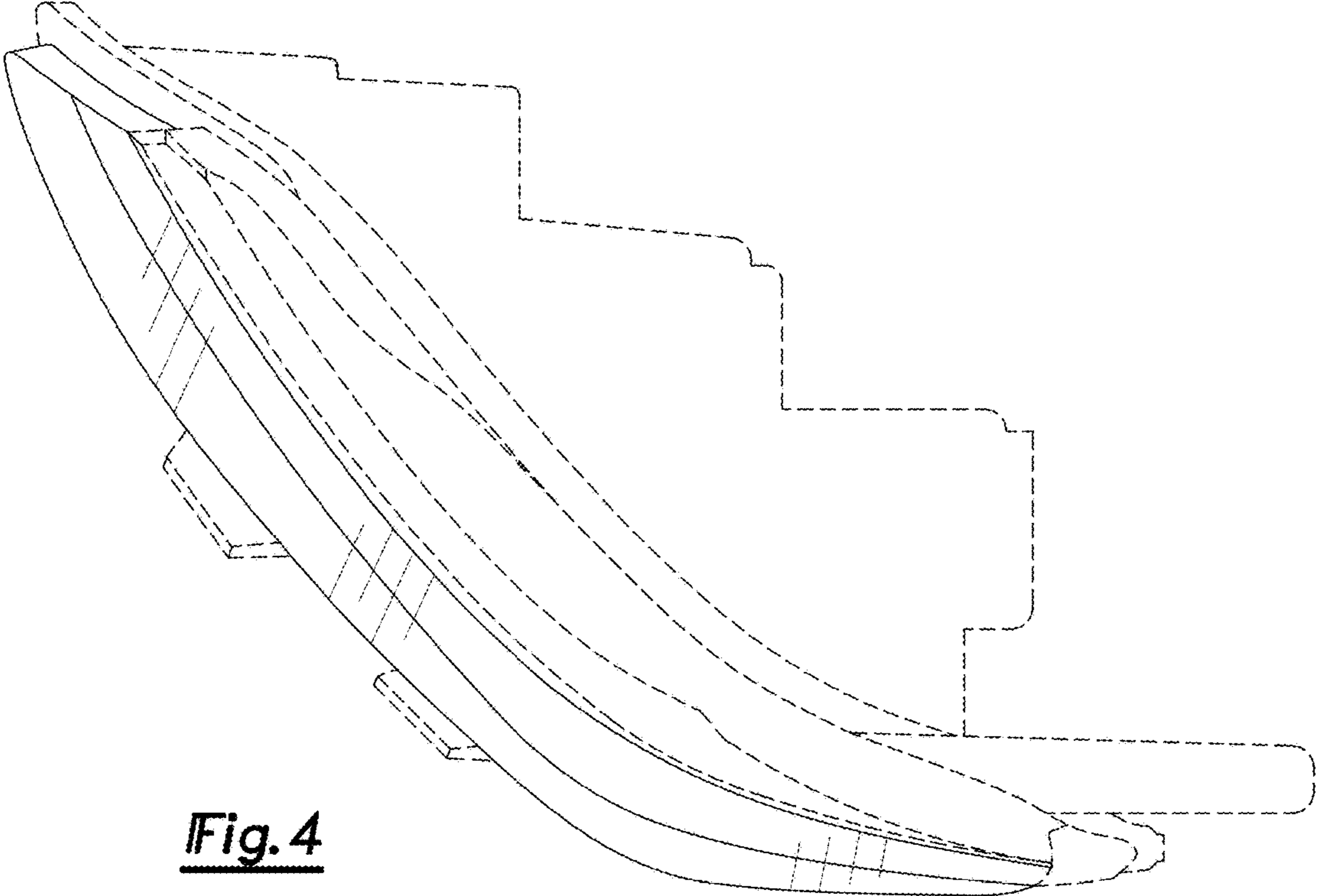


Fig. 4