



US00D776840S

(12) **United States Design Patent**
Youn

(10) **Patent No.:** **US D776,840 S**
(45) **Date of Patent:** **** Jan. 17, 2017**

(54) **HEAD LAMP OF CAR**

(71) Applicant: **GM GLOBAL TECHNOLOGY OPERATIONS LLC**, Detroit, MI (US)

(72) Inventor: **Dae-Young Youn**, Incheon (KR)

(73) Assignee: **GM GLOBAL TECHNOLOGY OPERATIONS LLC**, Detroit, MI (US)

(**) Term: **15 Years**

(21) Appl. No.: **29/532,687**

(22) Filed: **Jul. 9, 2015**

(30) **Foreign Application Priority Data**

Jan. 9, 2015 (KR) 30-2015-0001196

(51) **LOC (10) Cl.** **26-05**

(52) **U.S. Cl.**
USPC **D26/28**

(58) **Field of Classification Search**
USPC D26/28-36; 362/459-468, 475-478,
362/485-487
CPC F21S 48/00; F21S 48/10; F21S 48/115;
F21S 48/225; F21S 48/1233; F21S
48/1266; F21S 48/1388; F21S 48/2268;
F21V 21/04
See application file for complete search history.

(56) **References Cited**

U.S. PATENT DOCUMENTS

D593,233 S * 5/2009 Bai D26/28
D686,356 S * 7/2013 Morgenstern D26/28

D707,861 S * 6/2014 Lai D26/28
D721,196 S * 1/2015 Lai D26/28
D728,135 S * 4/2015 Ha D26/28
D740,978 S * 10/2015 Lee D26/28
D749,763 S * 2/2016 Sa D26/28
D752,254 S * 3/2016 Futschik D26/28
D756,005 S * 5/2016 Handt D26/28
D757,970 S * 5/2016 Binder D26/28
D760,413 S * 6/2016 Shim D26/28
D761,981 S * 7/2016 Tsutamori D26/28

* cited by examiner

Primary Examiner — Angela J Lee

(74) *Attorney, Agent, or Firm* — Ohlandt, Greeley,
Ruggiero & Perle, L.L.P.

(57) **CLAIM**

The ornamental design for a head lamp of car, as shown and described.

DESCRIPTION

The patent or application file contains at least one photograph. Copies of this patent or patent application publication with the drawings and/or photographs will be provided by the Office upon request and payment of the necessary fee. FIG. 1 is a perspective view of a new design for a head lamp of car as shown in the drawings; FIG. 2 is a front elevation view; FIG. 3 is a rear elevation view; FIG. 4 is a first side elevation view; FIG. 5 is a second side elevation view, opposite of the first side elevation view; FIG. 6 is a top plan view; and, FIG. 7 is a bottom plan view.

1 Claim, 7 Drawing Sheets

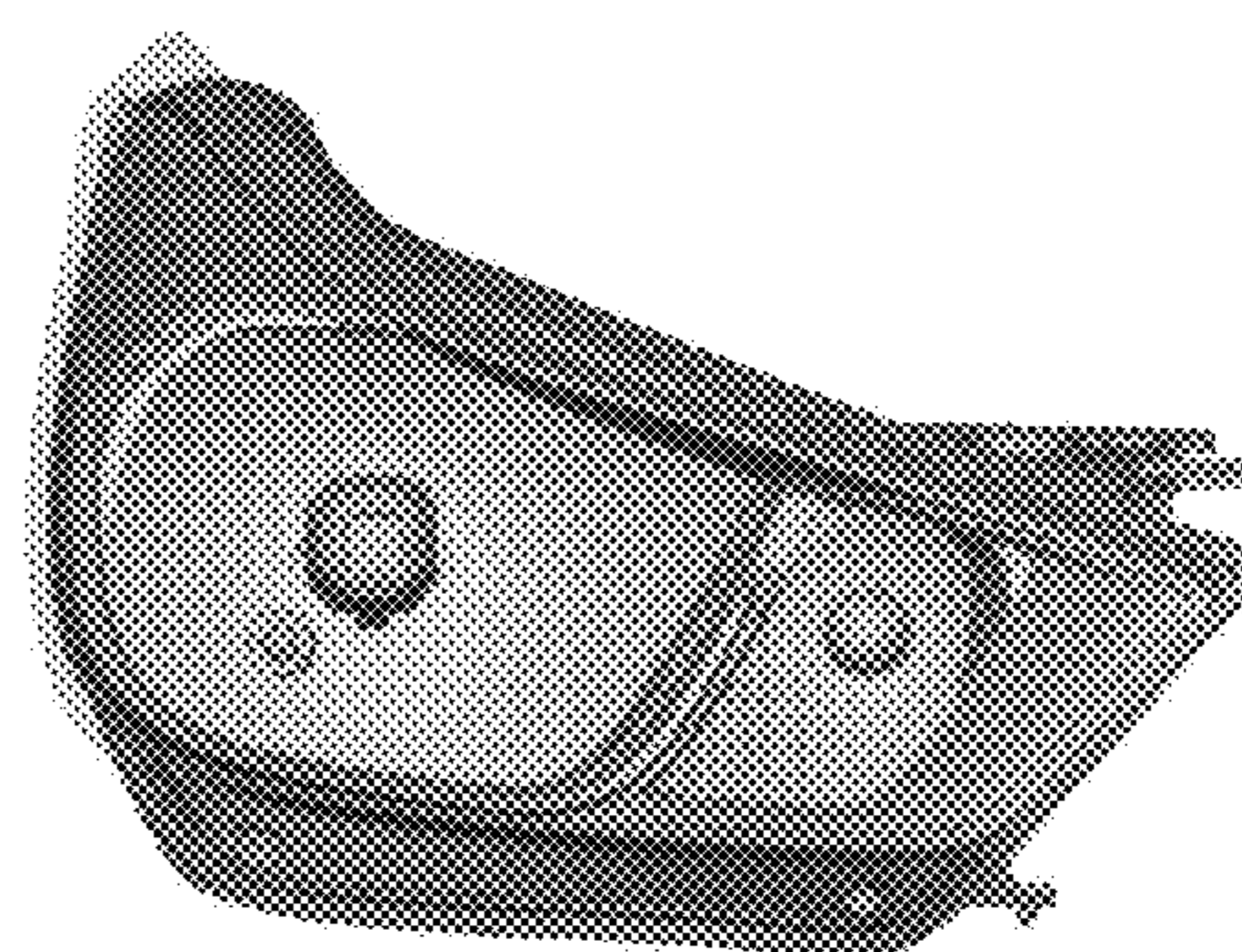
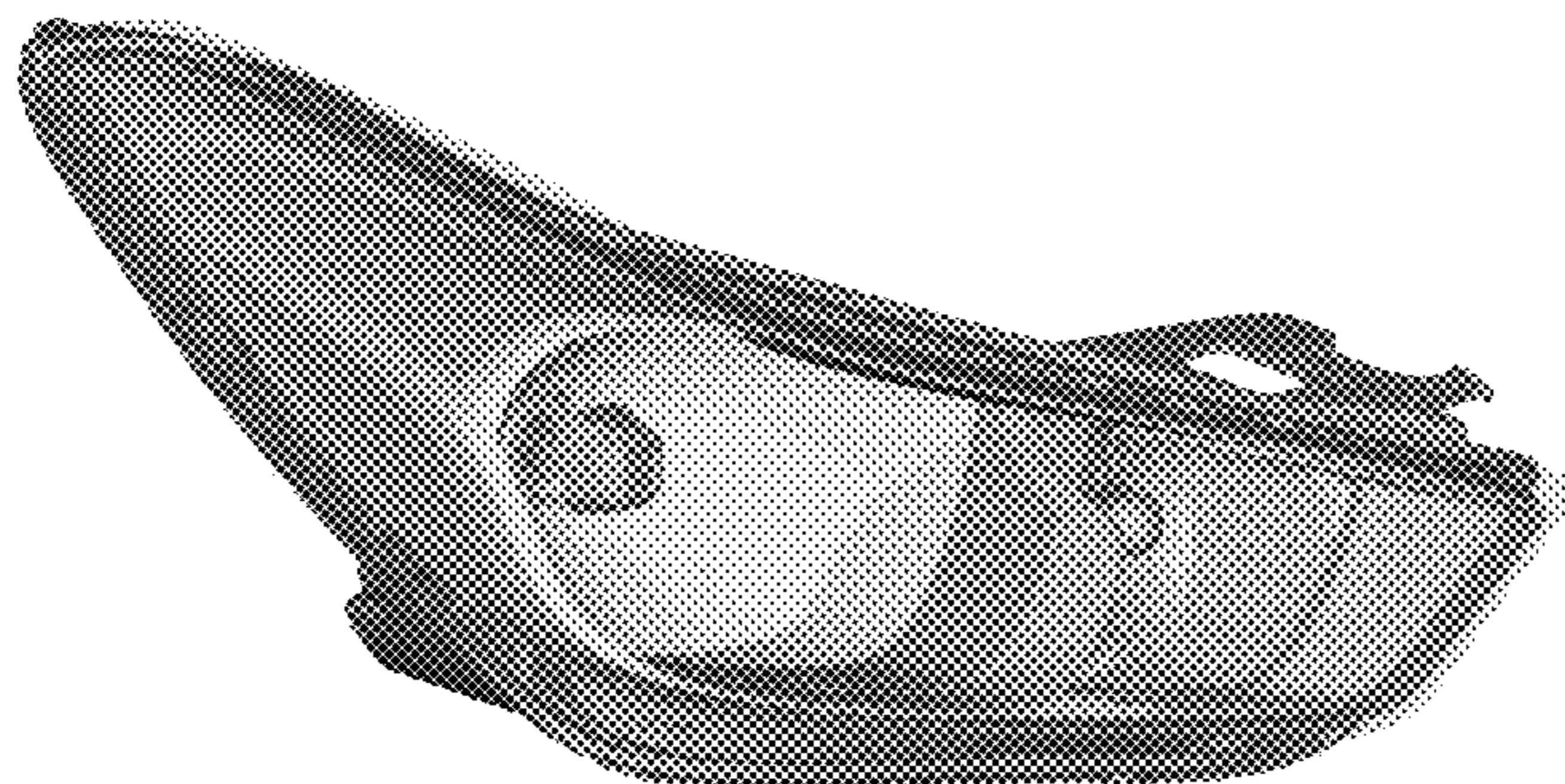


Fig. 1

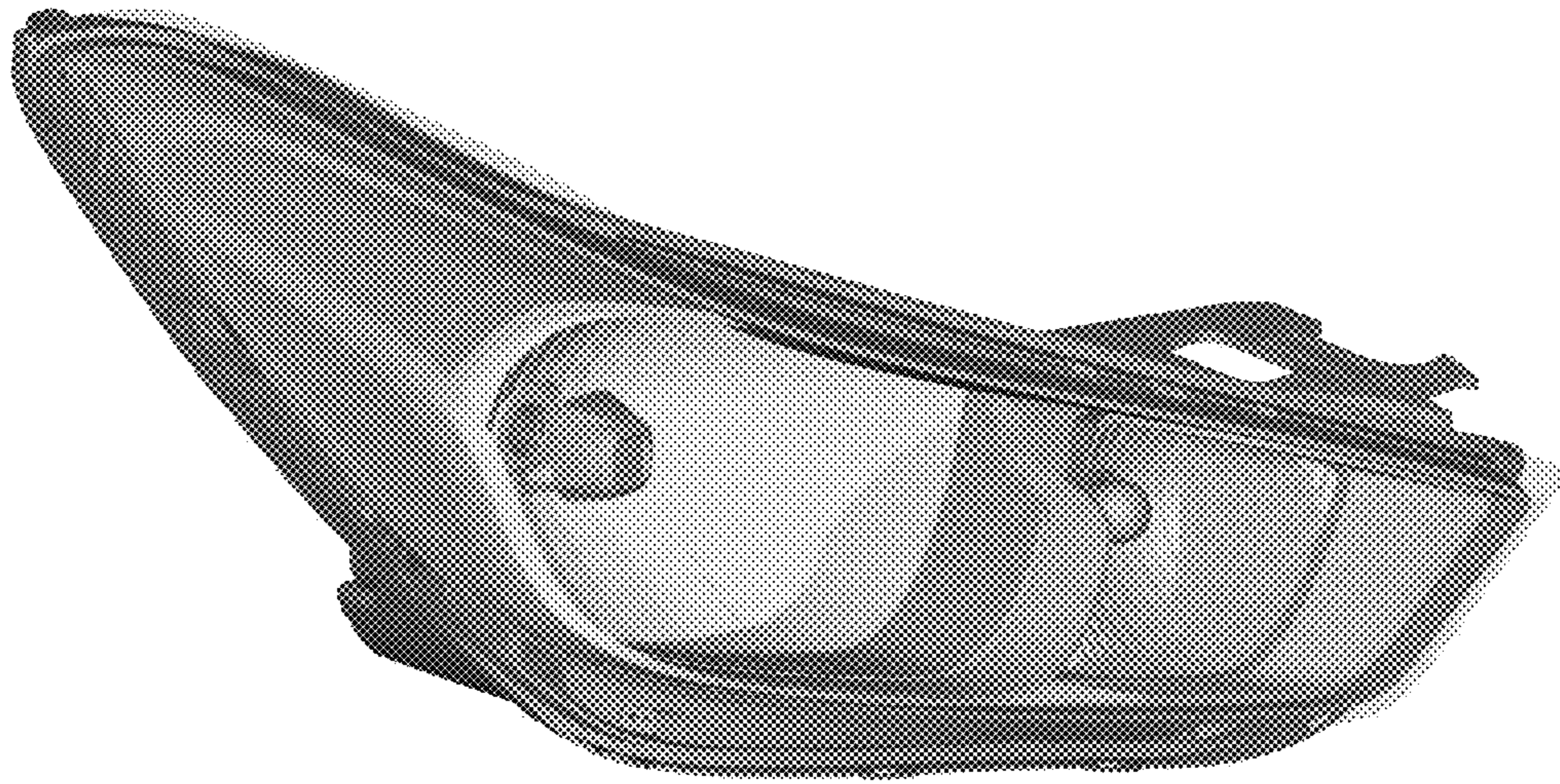


Fig. 2

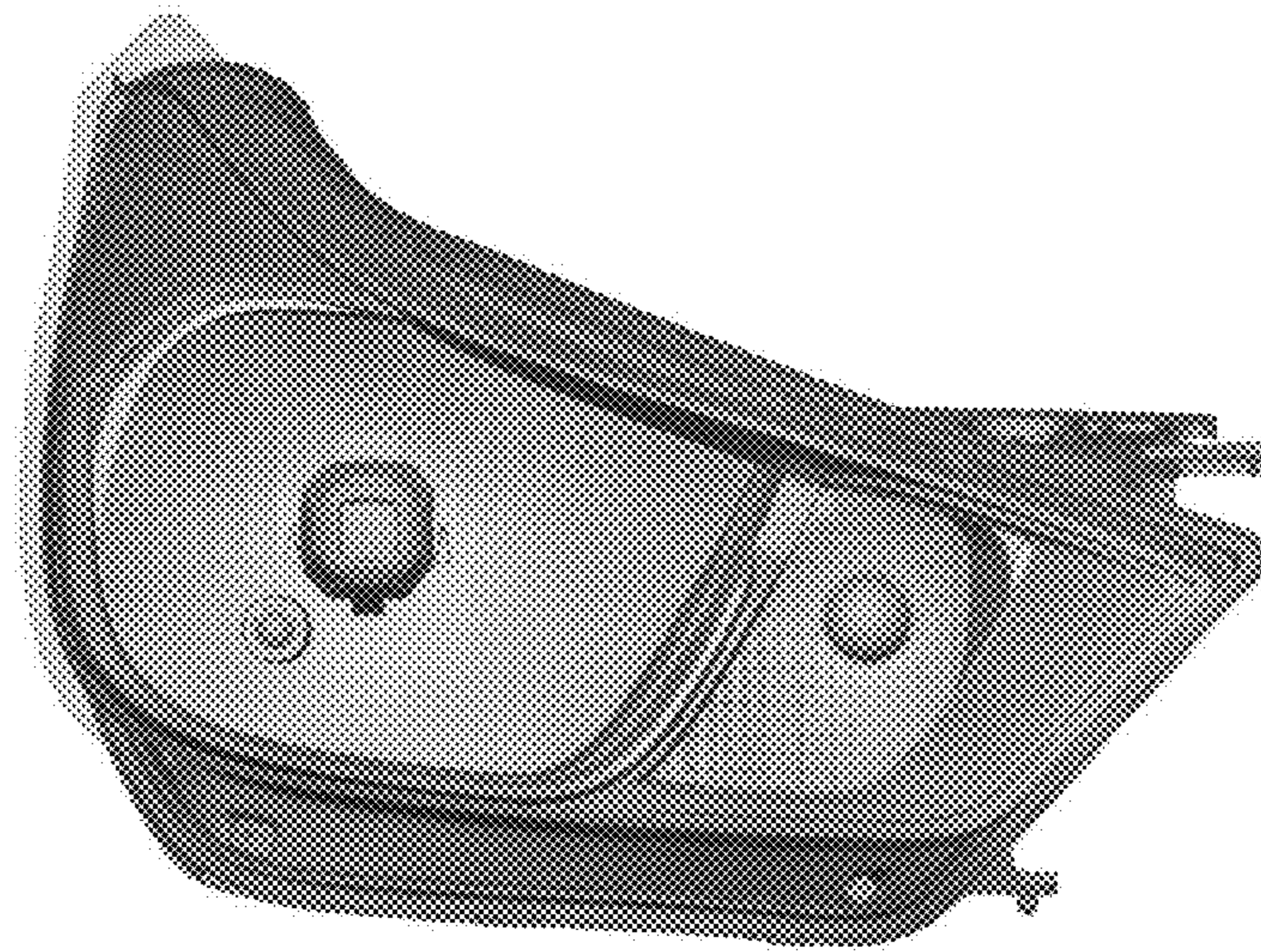


Fig. 3

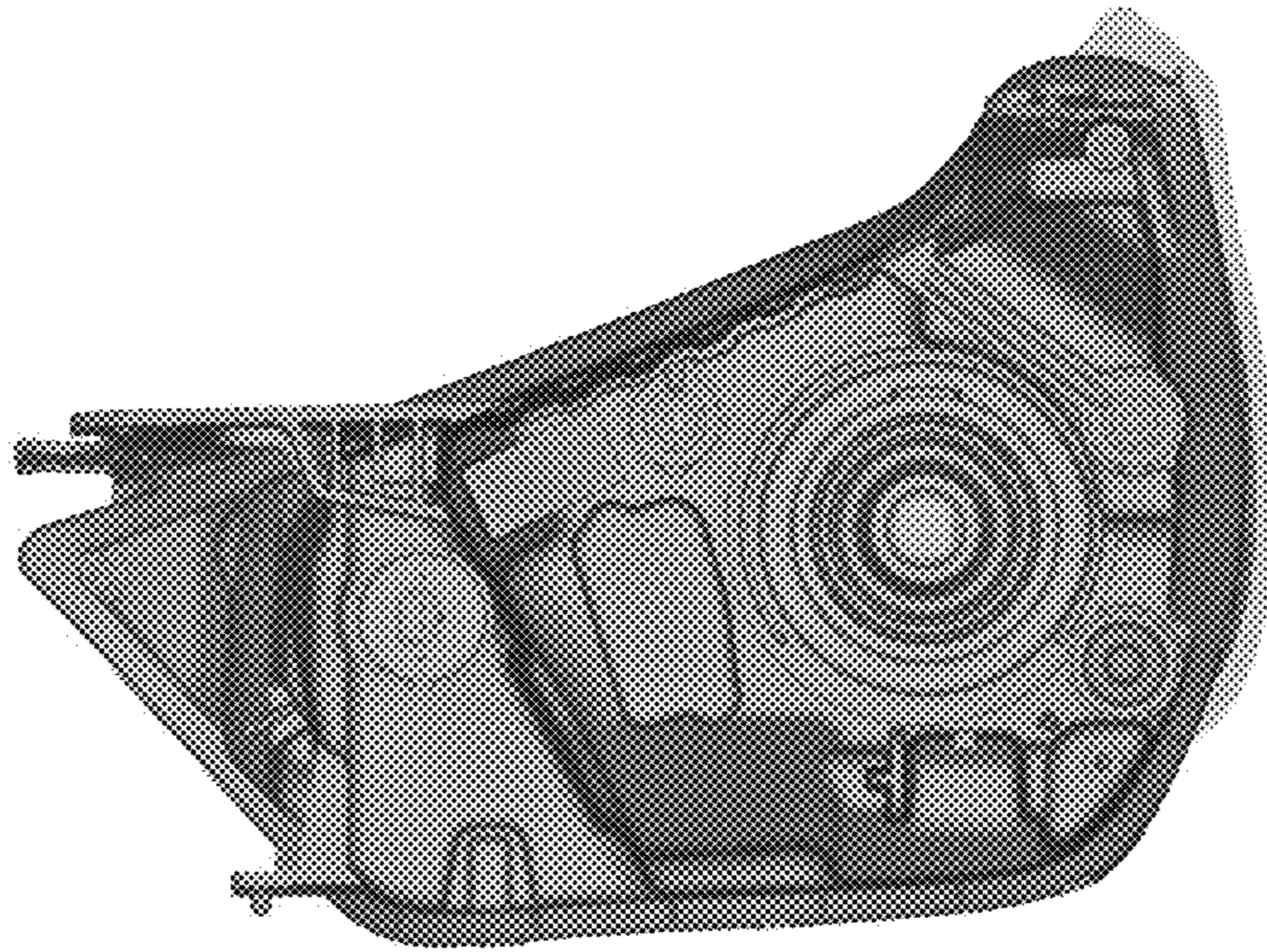


Fig. 4

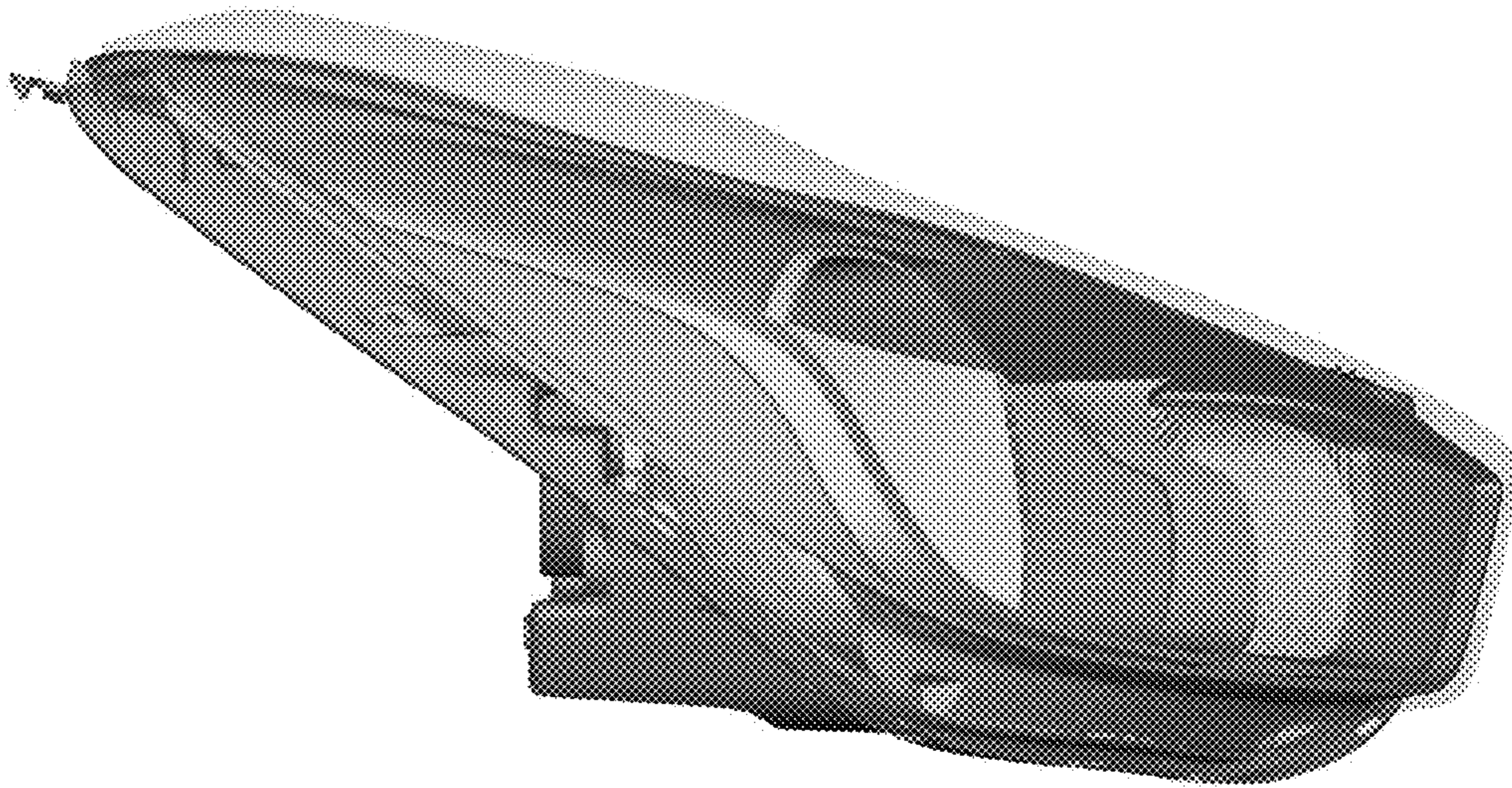


Fig. 5

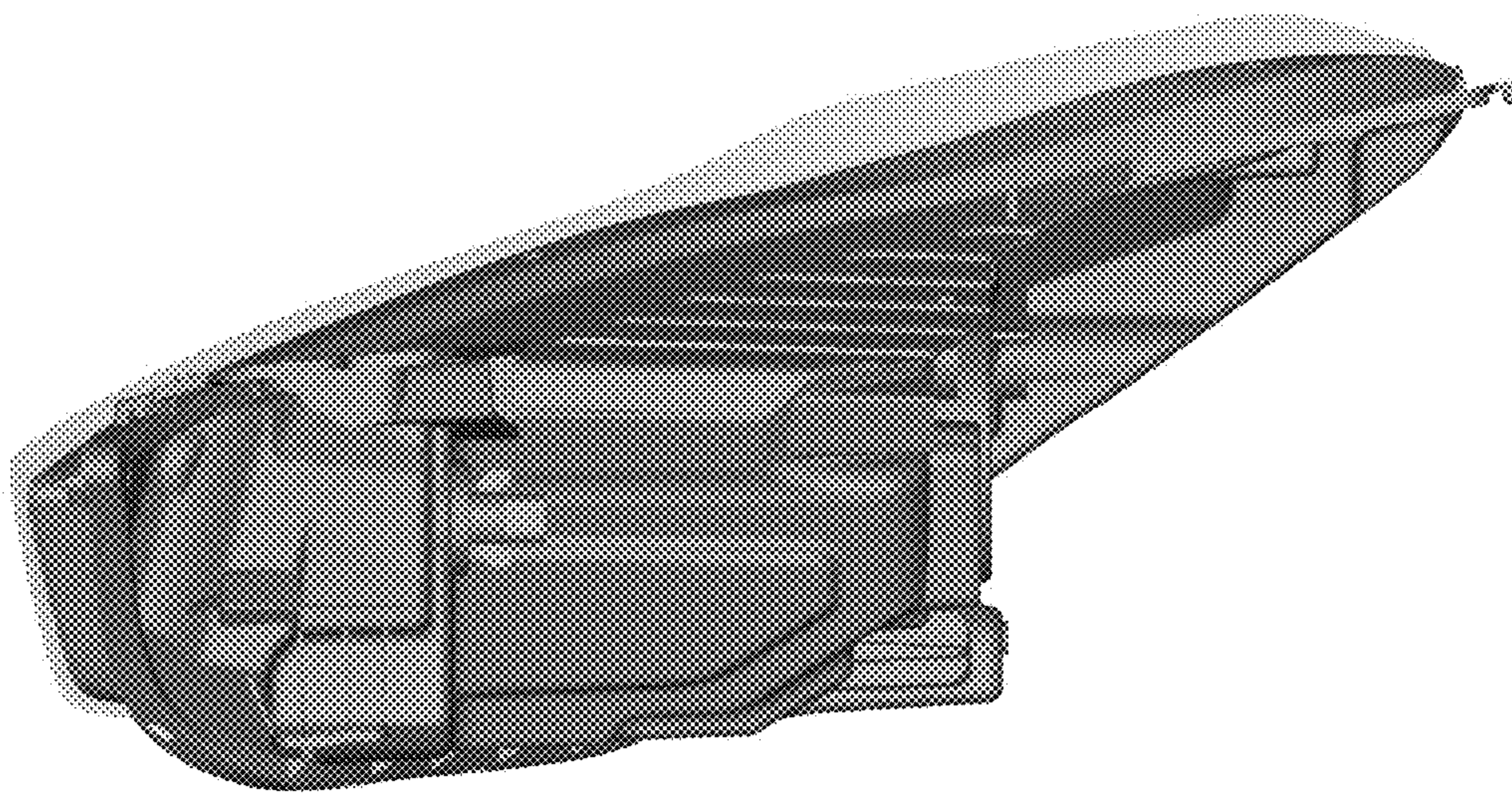


Fig. 6

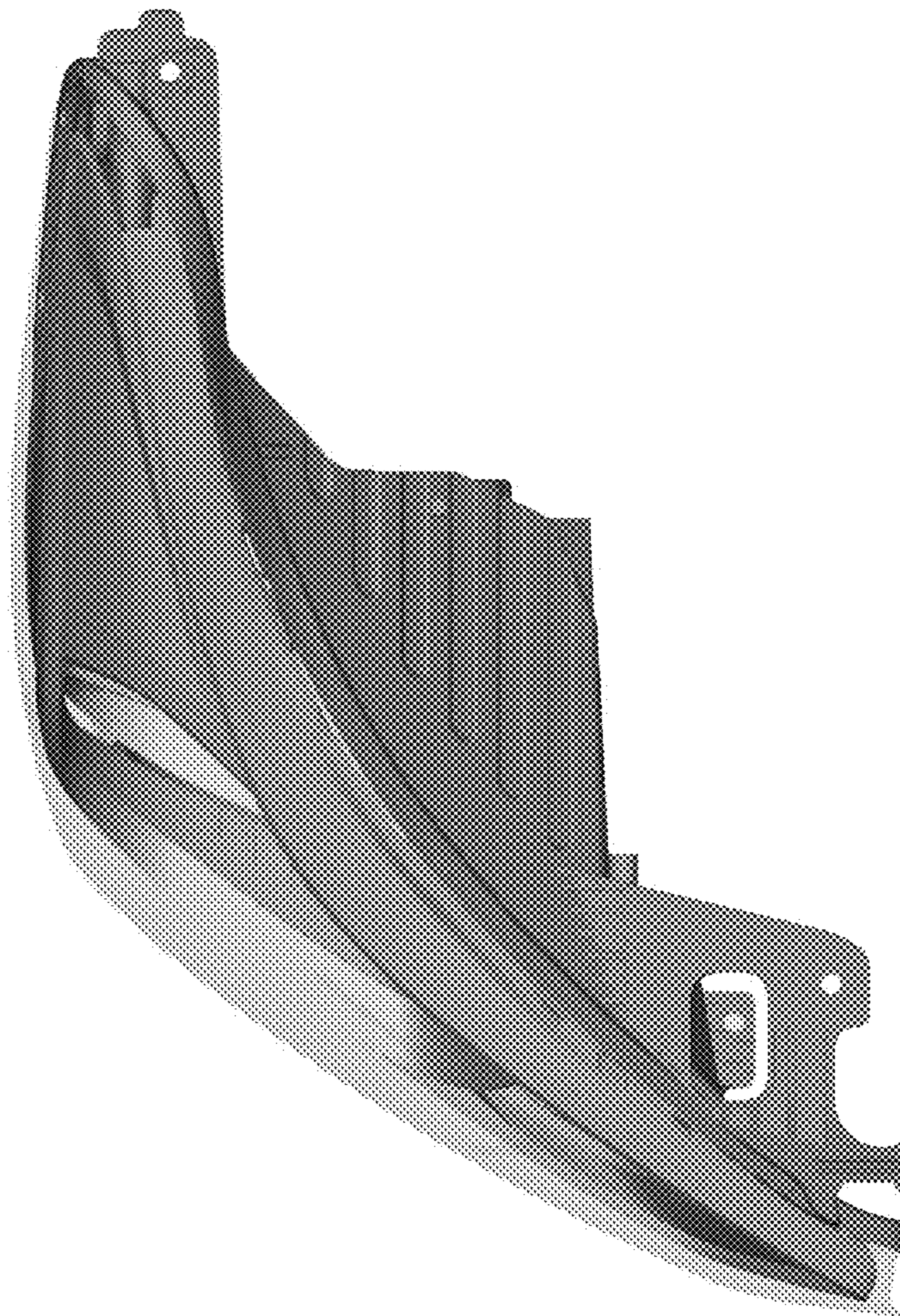


Fig. 7

