



US00D776837S

(12) **United States Design Patent**
Squicciarini

(10) **Patent No.:** **US D776,837 S**
(45) **Date of Patent:** **** Jan. 17, 2017**

- (54) **HEADLIGHT FOR A MOTOR VEHICLE GRILLE**
- (71) Applicant: **Robert Squicciarini**, Hauppauge, NY (US)
- (72) Inventor: **Robert Squicciarini**, Hauppauge, NY (US)
- (**) Term: **14 Years**
- (21) Appl. No.: **29/513,816**
- (22) Filed: **Jan. 6, 2015**
- (51) **LOC (10) Cl.** **26-06**
- (52) **U.S. Cl.**
USPC **D26/28**
- (58) **Field of Classification Search**
USPC D26/28-36; 362/61, 80-83, 459-468, 362/475-478, 485-487
CPC F21S 48/00; F21S 48/10; F21S 48/115; F21S 48/225; F21S 48/1233; F21S 48/1266; F21S 48/1388; F21S 48/2268; F21V 21/04
See application file for complete search history.

- D288,085 S 2/1987 Nagano
 - D289,515 S 4/1987 Wood
 - D290,693 S 7/1987 Fukuichi
 - D292,387 S 10/1987 Oda
 - D293,095 S 12/1987 Ienaga
 - D298,426 S 11/1988 Kikuchi
 - D299,634 S 1/1989 Ghezzi
 - D307,125 S 4/1990 Guelfi
 - 4,920,460 A 4/1990 Mori
 - D307,565 S 5/1990 Sasaoka
 - D312,433 S 11/1990 Yamamoto
 - 5,188,445 A 2/1993 Haun
 - D341,118 S 11/1993 Haun
 - D355,156 S 2/1995 Davis
 - D366,859 S 2/1996 Davis, Jr.
 - D372,695 S 8/1996 Nagashima
 - D401,543 S 11/1998 Mobley
 - D411,493 S 6/1999 Davis, Jr.
 - D415,081 S 10/1999 Wittine
 - D475,330 S 6/2003 Homan
- (Continued)

Primary Examiner — Marcus Jackson
(74) *Attorney, Agent, or Firm* — Thomas A. O'Rourke; Bodner & O'Rourke, LLP

(57) **CLAIM**

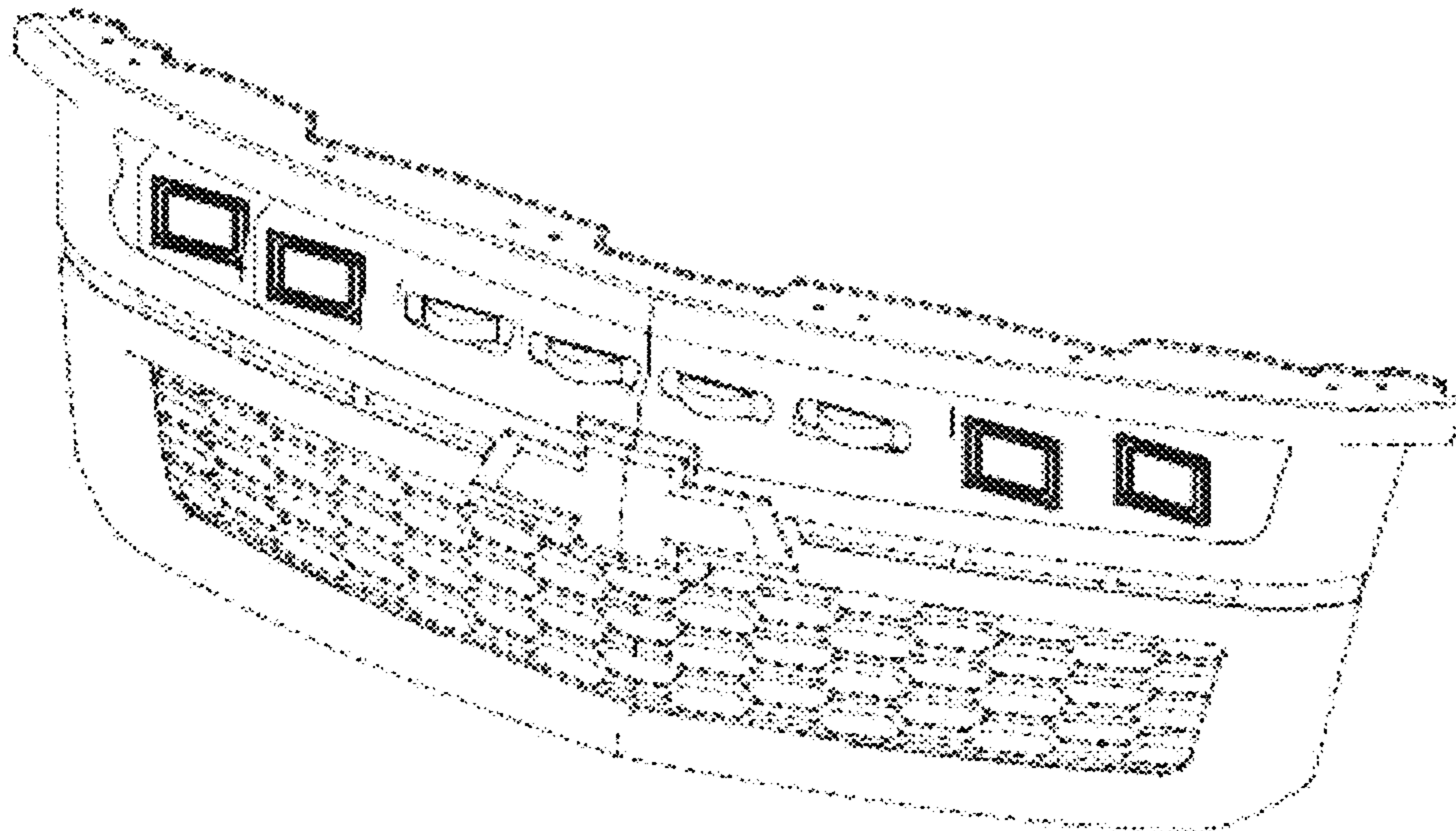
The ornamental design for headlight for a motor vehicle grille, as shown and described.

DESCRIPTION

FIG. 1 shows a front view of the lights; FIG. 2 shows a rear view of the lights; FIG. 3 is a top view of the lights; FIG. 4 is a bottom view of the lights; FIG. 5 is a first end view of the lights; FIG. 6 is a second end view of the lights; and, FIG. 7 shows the lights of FIG. 1 embedded in a vehicle grille, which is shown with broken lines, it being understood that the broken lines are for illustrative purposes only and form no part of the claimed design.

1 Claim, 7 Drawing Sheets

- (56) **References Cited**
U.S. PATENT DOCUMENTS
- 1,998,680 A 7/1933 Lint
- 2,329,874 A 9/1943 Cadwallader
- D153,266 S 7/1946 Darrin
- D248,156 S 6/1978 Tixier
- D274,508 S 7/1984 Yamashita
- D282,653 S 2/1986 Takano
- D283,019 S 3/1986 Teague
- D285,299 S 8/1986 Wardle
- D286,275 S 10/1986 Katoh
- D286,276 S 10/1986 Vahlenbreder
- D286,998 S 12/1986 Okumura
- D287,843 S 1/1987 Katoh



(56)

References Cited

U.S. PATENT DOCUMENTS

D501,808 S	2/2005	Otto	
D524,198 S	7/2006	Fukuda	
D535,590 S	1/2007	Hogios	
D551,134 S	9/2007	Miyata	
D552,274 S *	10/2007	Tanaka	D26/28
D567,723 S	4/2008	Saito	
D568,217 S	5/2008	Tomatsu	
D568,501 S *	5/2008	Nakazawa	D26/28
D569,015 S *	5/2008	Tsukui	D26/28
D571,693 S	6/2008	Ishii	
D573,510 S	7/2008	Pininfarina	
D573,734 S *	7/2008	Watanabe	D26/28
D588,052 S	3/2009	Banjoko	
D598,336 S	8/2009	George	
D603,076 S *	10/2009	Hung	D26/28
2014/0078762 A1	3/2014	Adams	

* cited by examiner

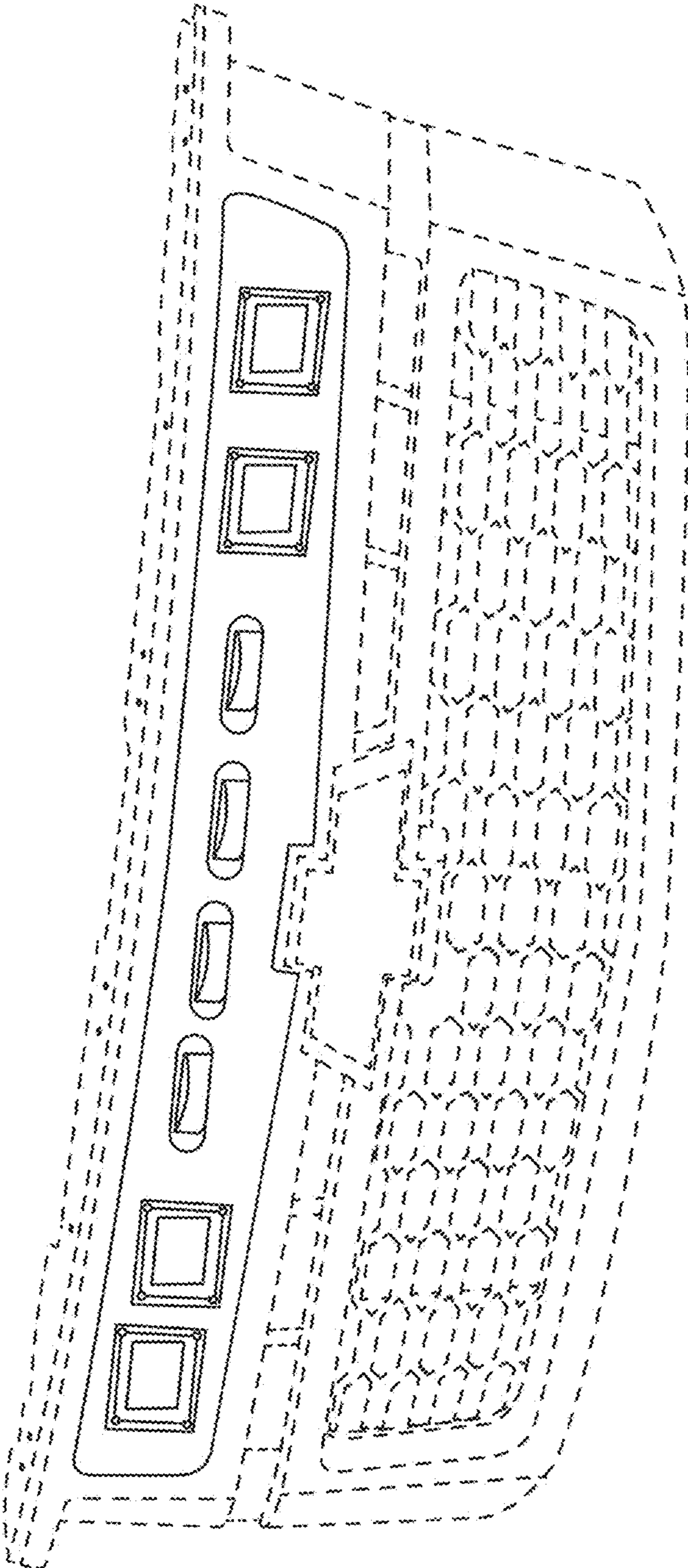


FIG. 1

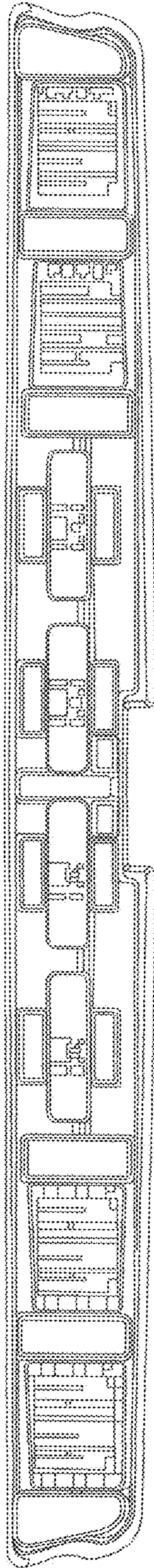


FIG. 2

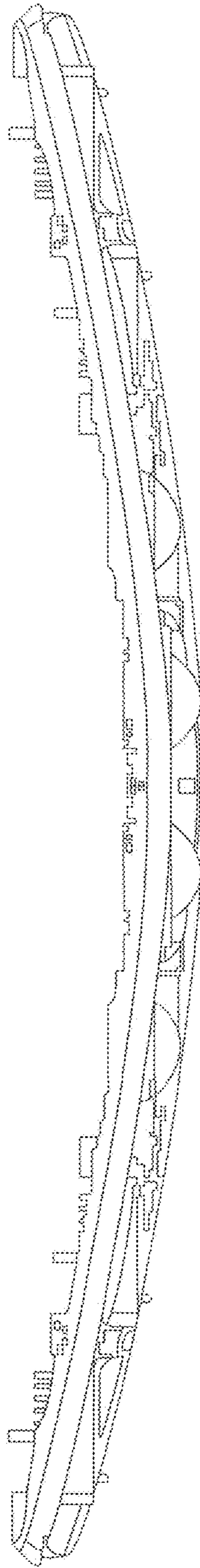


FIG. 3

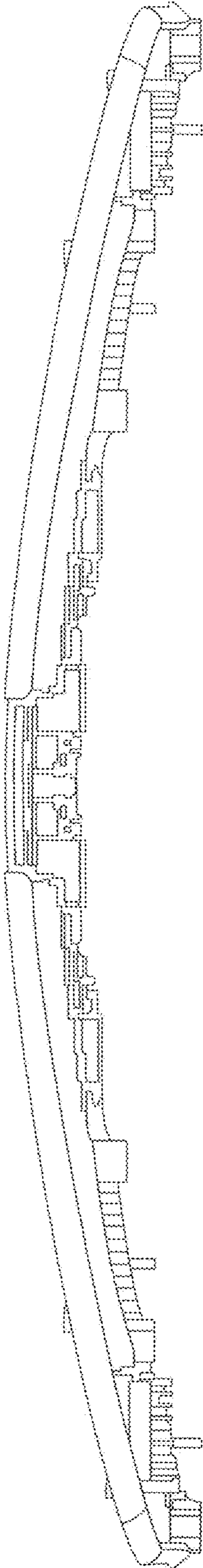


FIG. 4

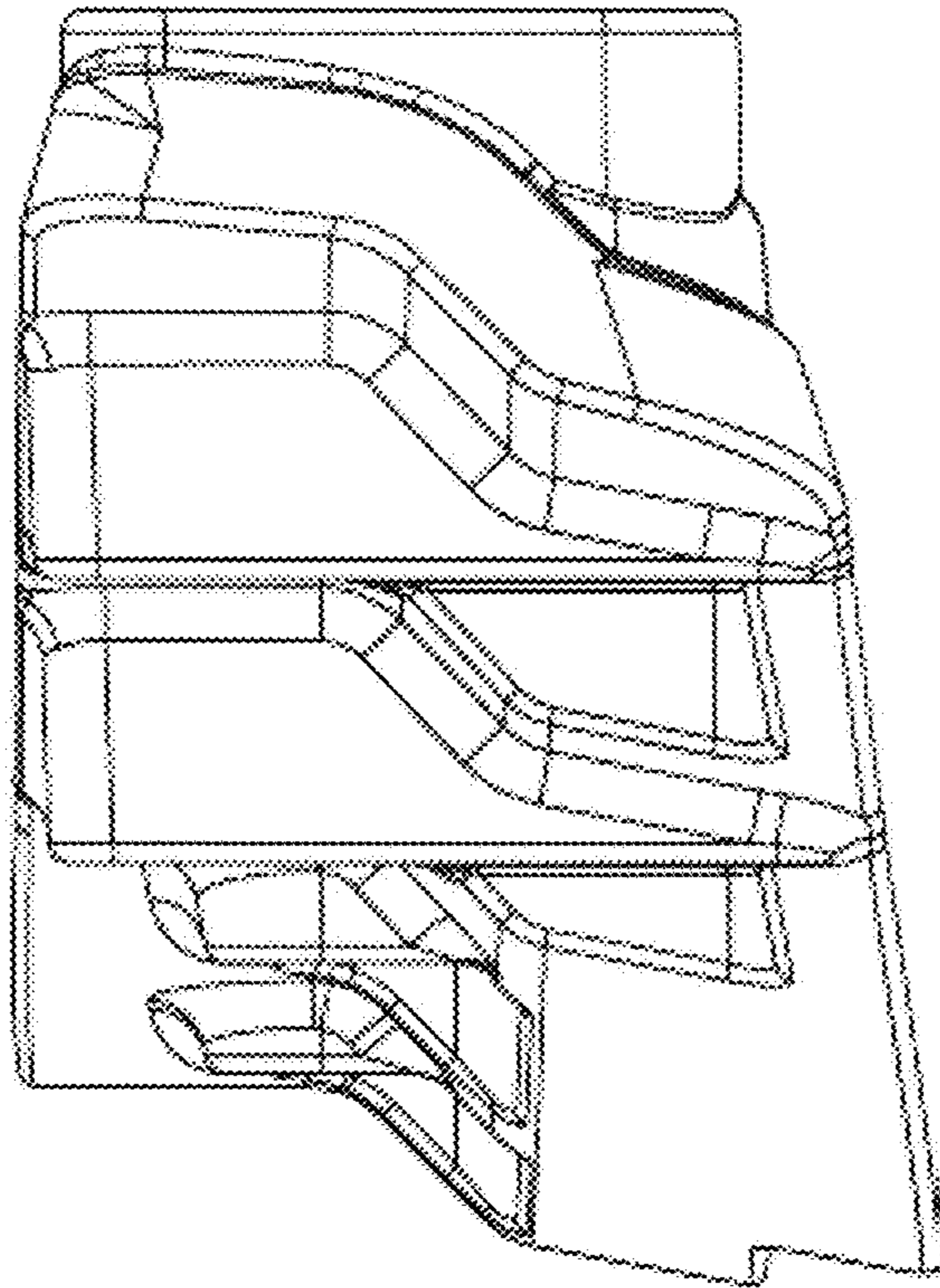


FIG. 5

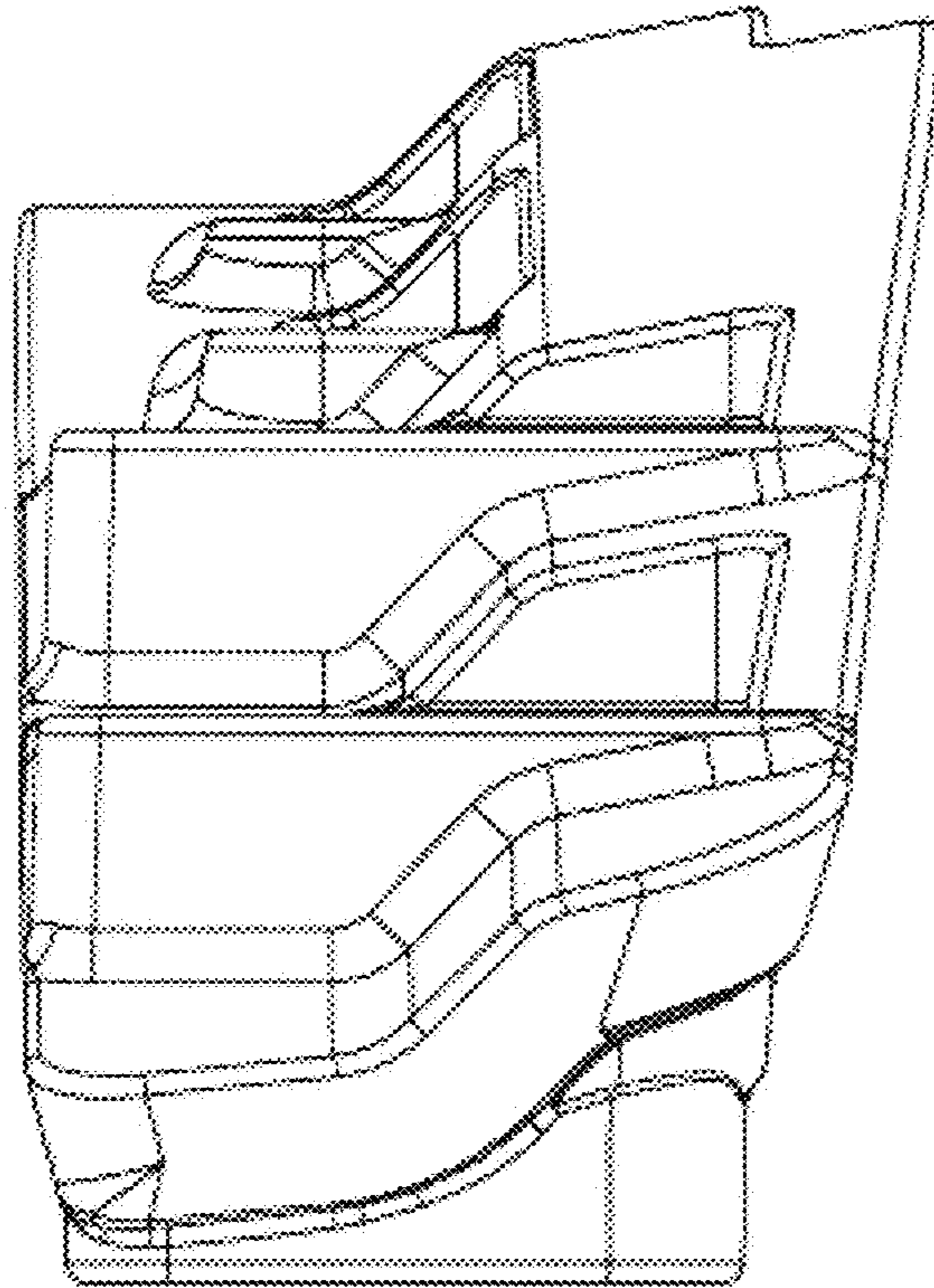


FIG. 6

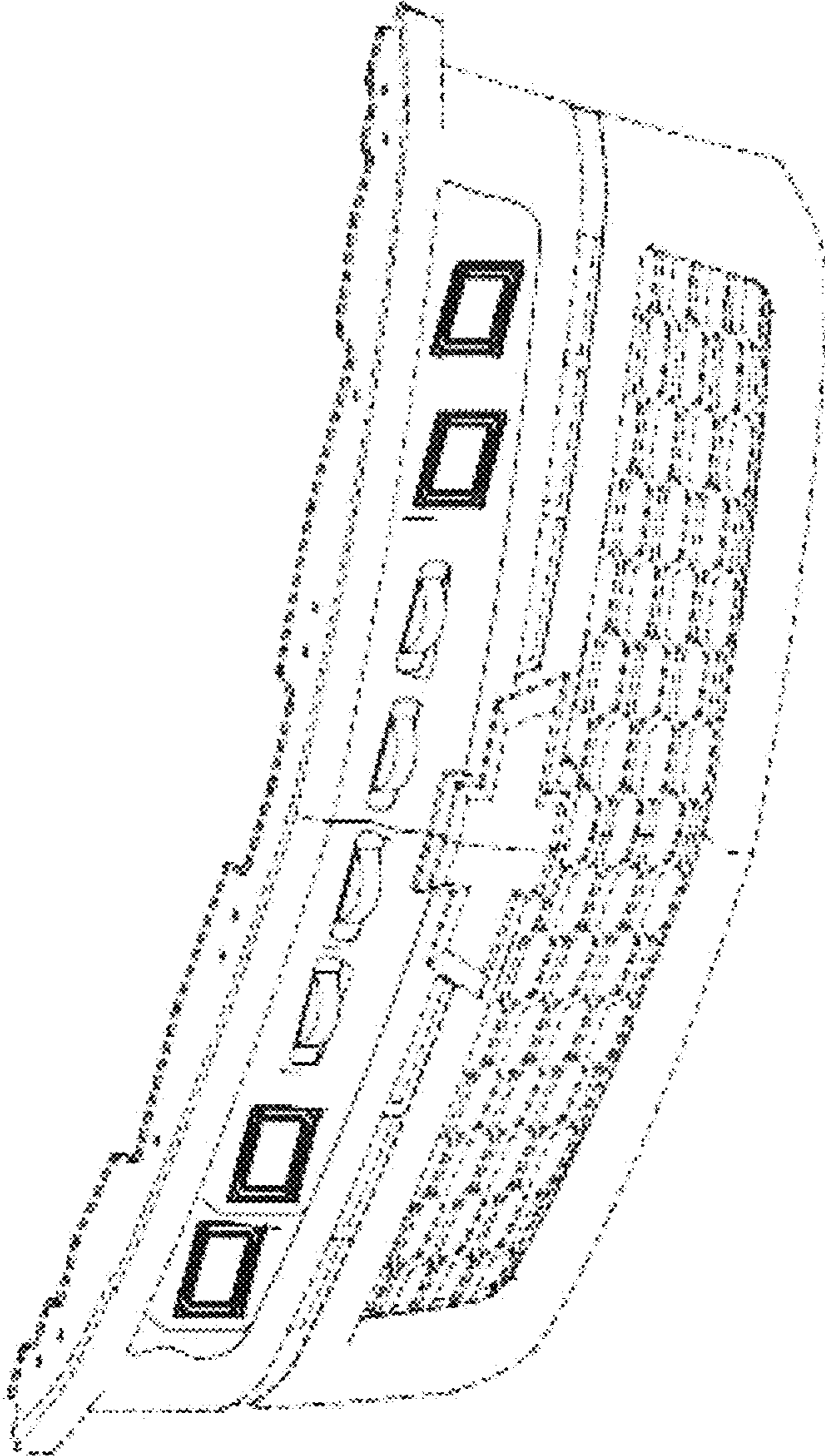


FIG. 7