

US00D776836S

(12) **United States Design Patent**
Tang

(10) **Patent No.:** **US D776,836 S**

(45) **Date of Patent:** **** Jan. 17, 2017**

(54) **LAMP**

(71) Applicant: **Yi-Wen Tang**, Taichung (TW)

(72) Inventor: **Yi-Wen Tang**, Taichung (TW)

(**) Term: **15 Years**

(21) Appl. No.: **29/549,200**

(22) Filed: **Dec. 19, 2015**

(51) **LOC (10) Cl.** **26-04**

(52) **U.S. Cl.**
USPC **D26/2**

(58) **Field of Classification Search**
USPC D26/1-4; 313/313, 315, 316, 317, 318,
313/493; 315/52, 53, 56, 57, 58
CPC F21K 9/13; F21K 9/135; F21K 9/1375;
H01J 5/00; H01J 5/48; H01J 5/50; H01J
19/54; F21V 5/00
See application file for complete search history.

(56) **References Cited**

U.S. PATENT DOCUMENTS

D573,288 S * 7/2008 Xu D26/67
D623,337 S * 9/2010 Zheng D26/67

D660,468 S * 5/2012 Mase D26/2
D660,469 S * 5/2012 Mase D26/2
D667,150 S * 9/2012 Chun D26/2
D719,684 S * 12/2014 Grajcar D26/2
D728,834 S * 5/2015 Taylor D26/2
D732,211 S * 6/2015 Cho D26/2

* cited by examiner

Primary Examiner — Marcus Jackson

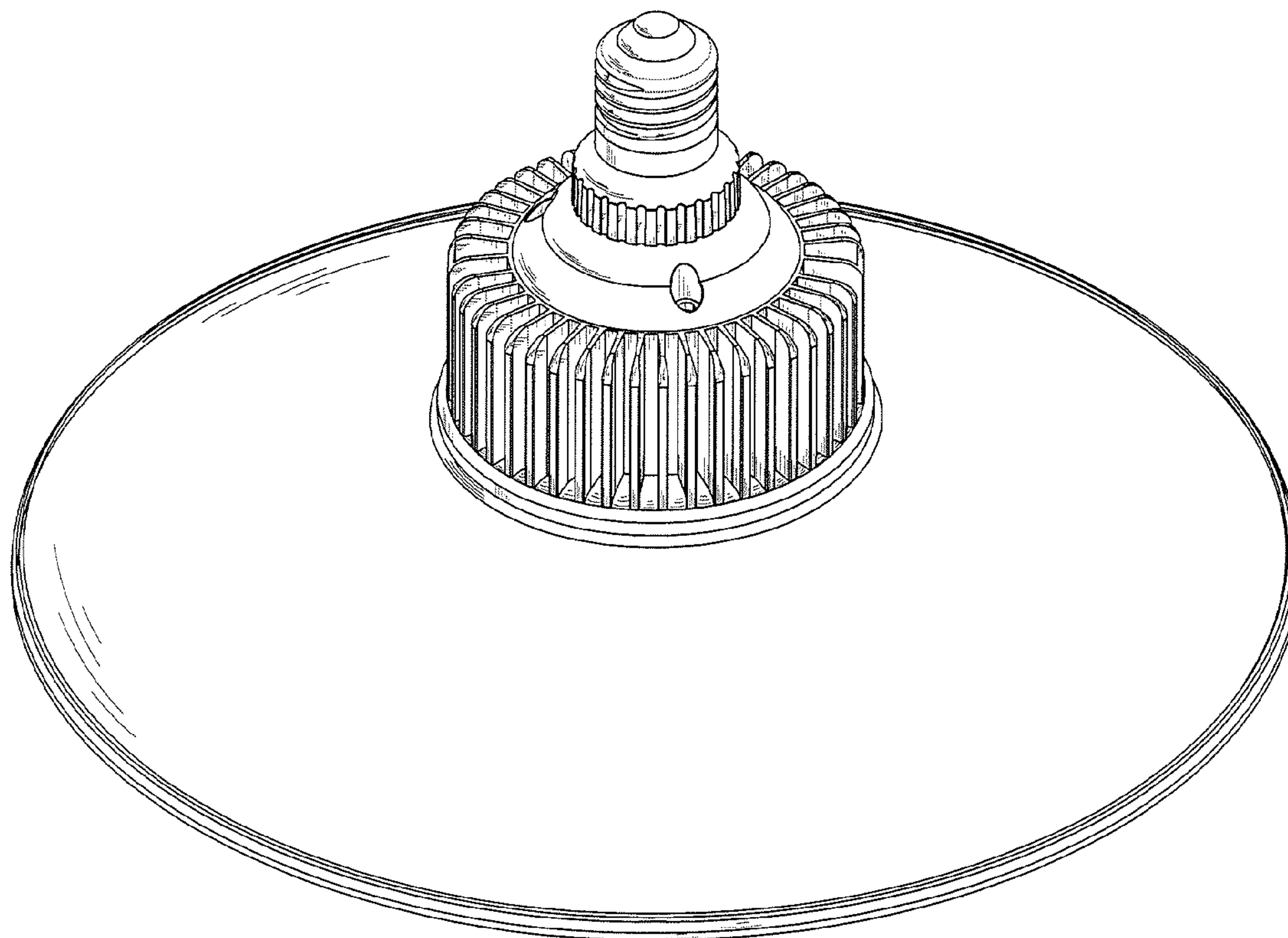
(57) **CLAIM**

The ornamental design for a lamp, as shown and described.

DESCRIPTION

FIG. 1 is an upper perspective view of the lamp showing my design;
FIG. 2 is a front elevation view thereof;
FIG. 3 is a rear elevation view thereof;
FIG. 4 is a side elevation view thereof;
FIG. 5 is an opposite side view thereof;
FIG. 6 is a top plan view thereof; and,
FIG. 7 is a bottom plan view thereof.

1 Claim, 7 Drawing Sheets



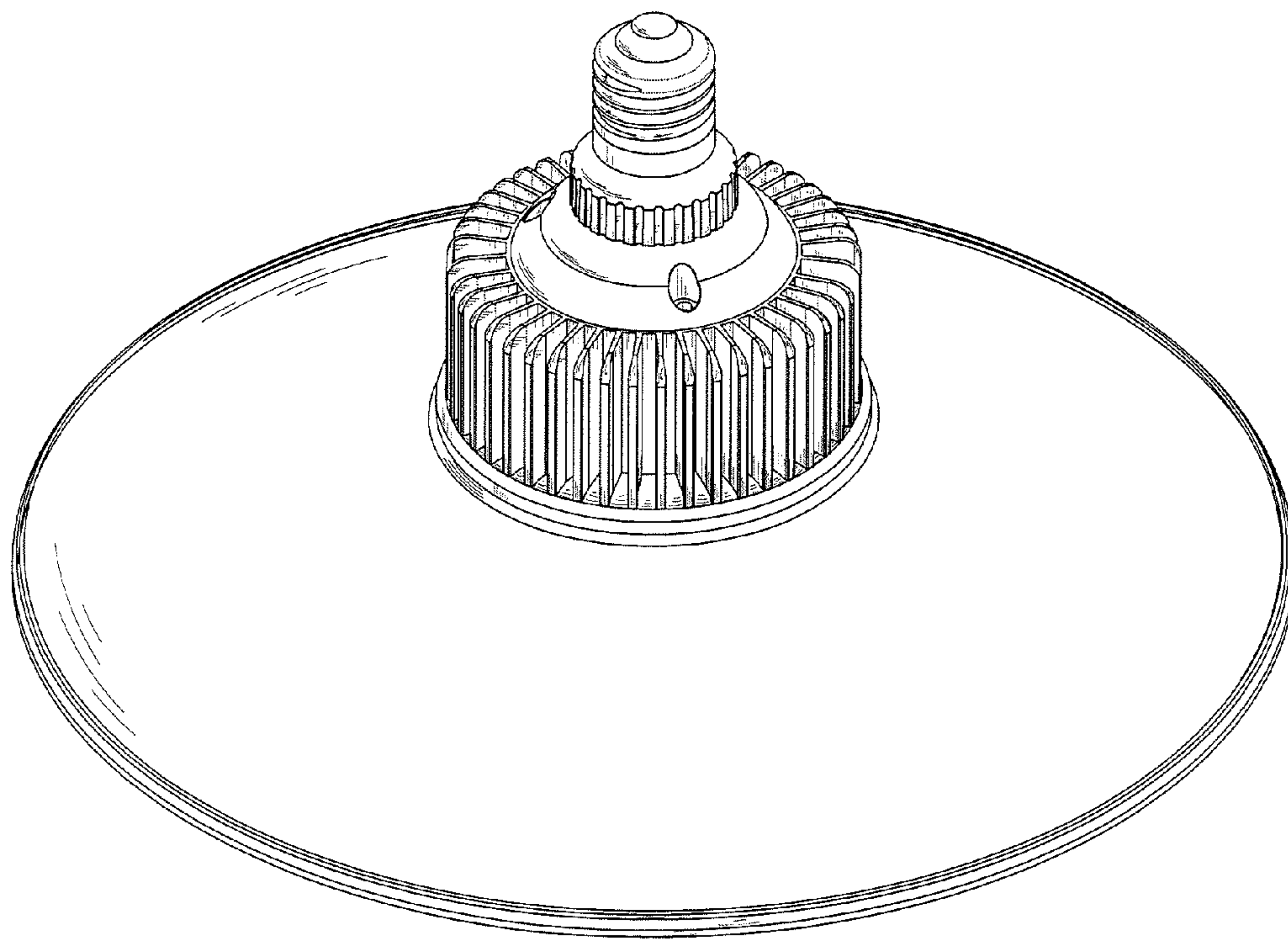


FIG.1

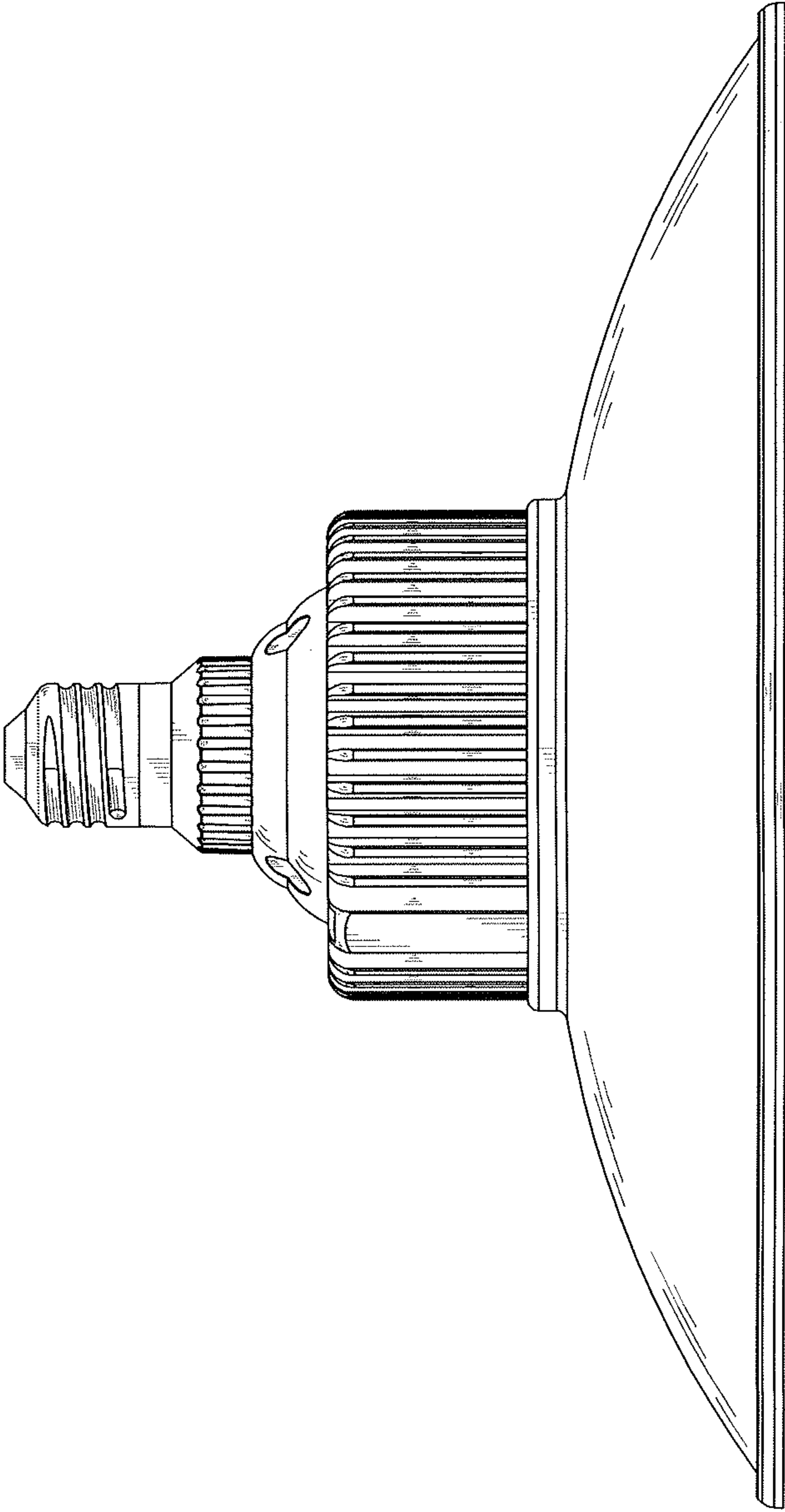


FIG.2

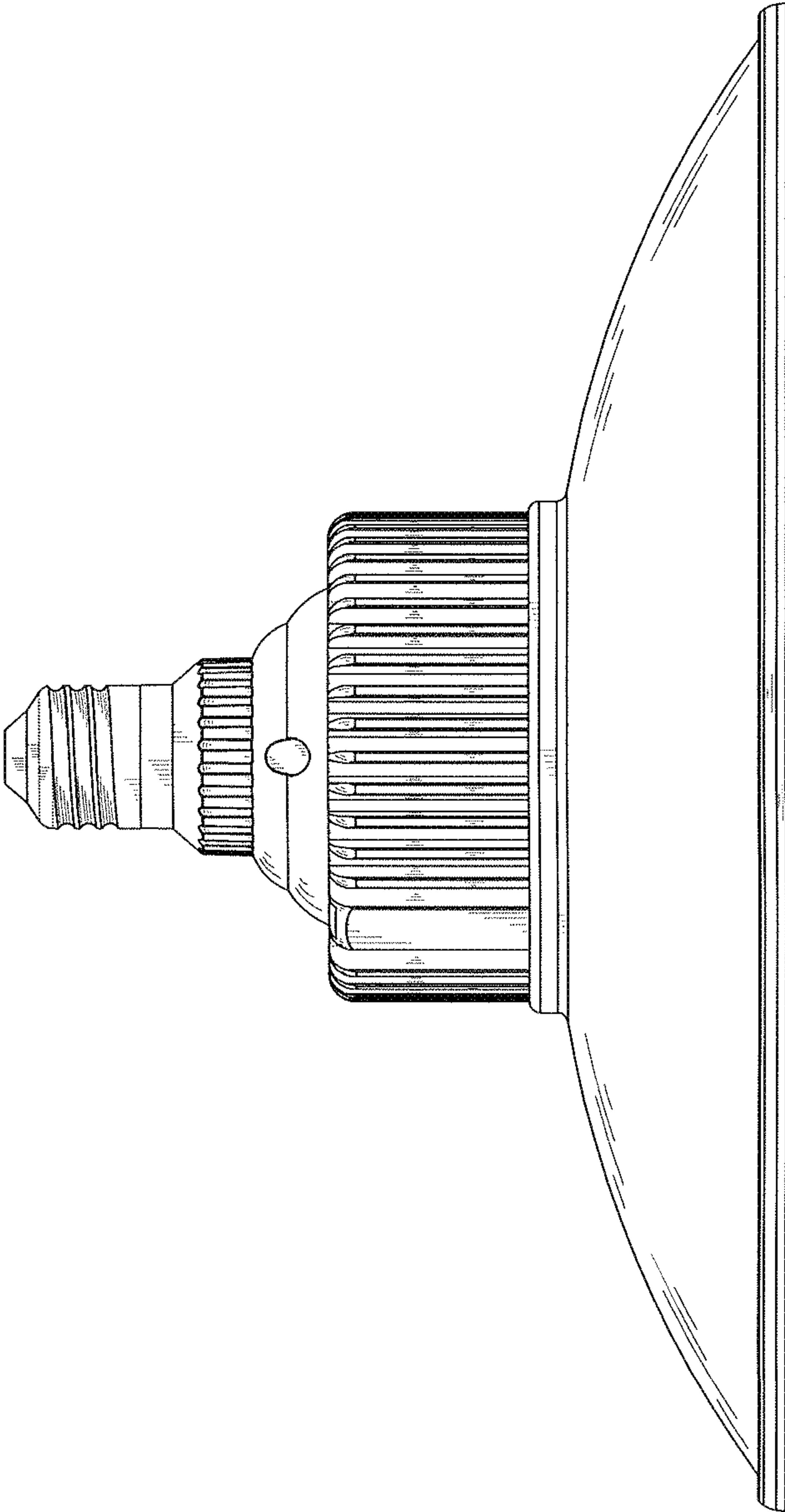


FIG.3

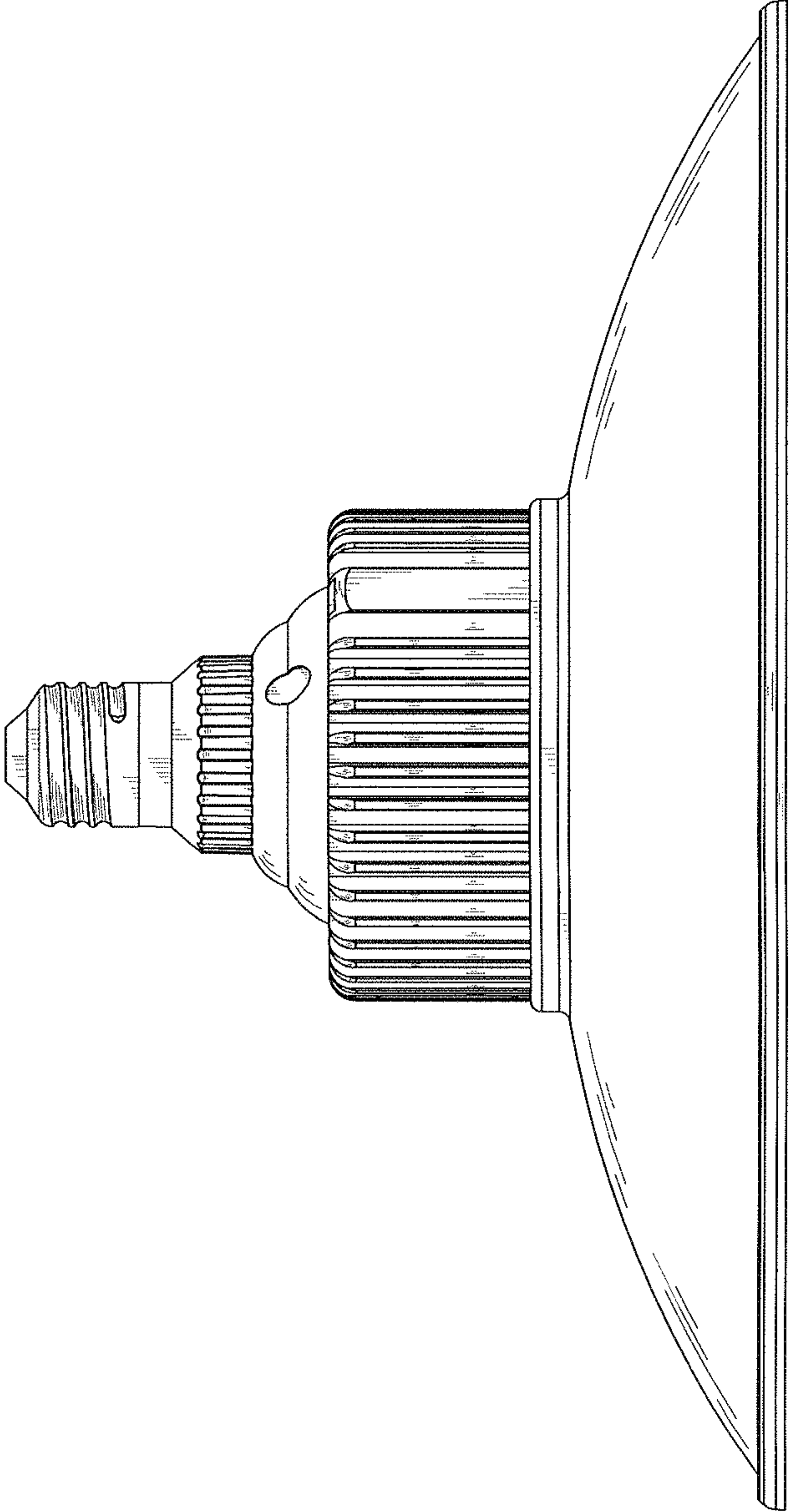


FIG.4

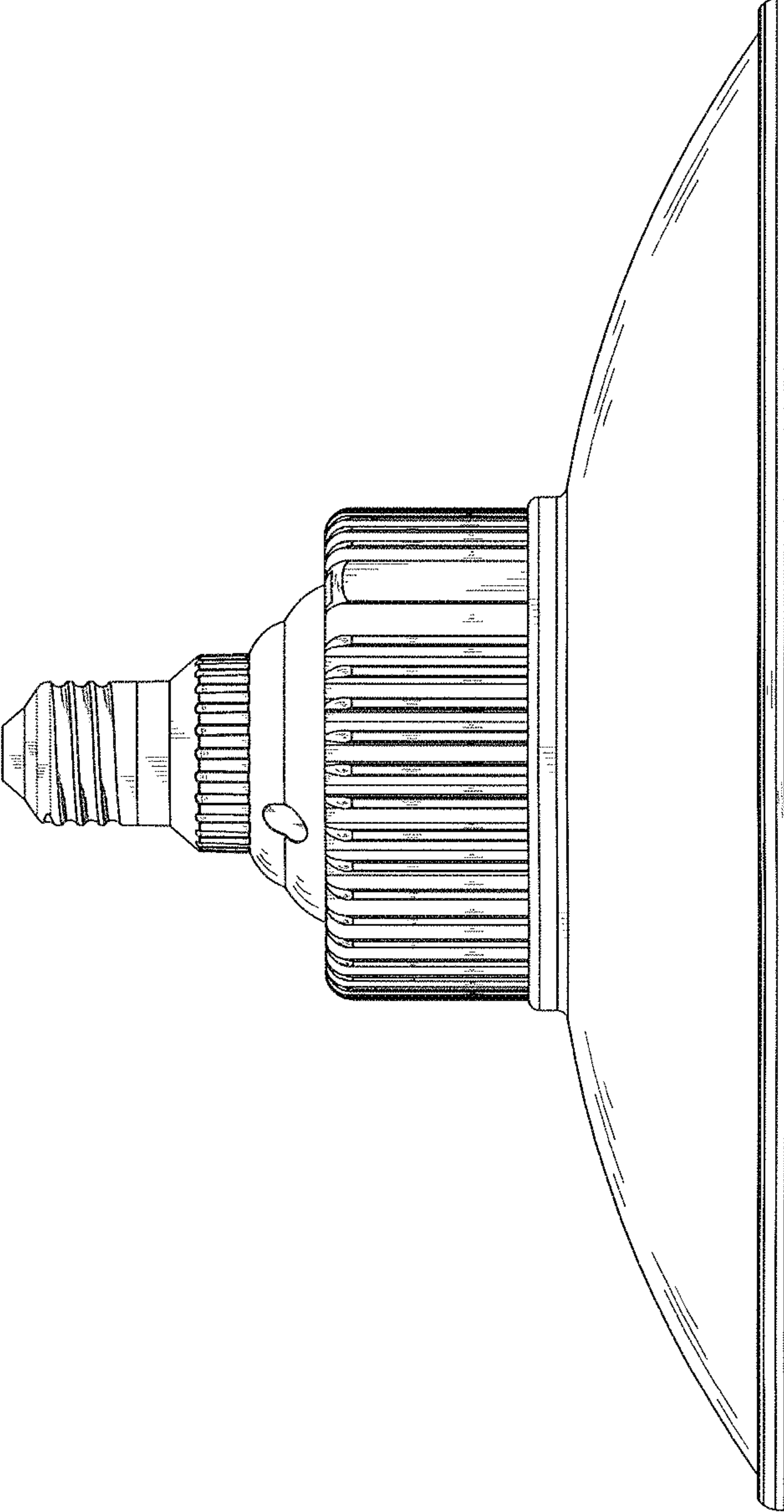


FIG.5

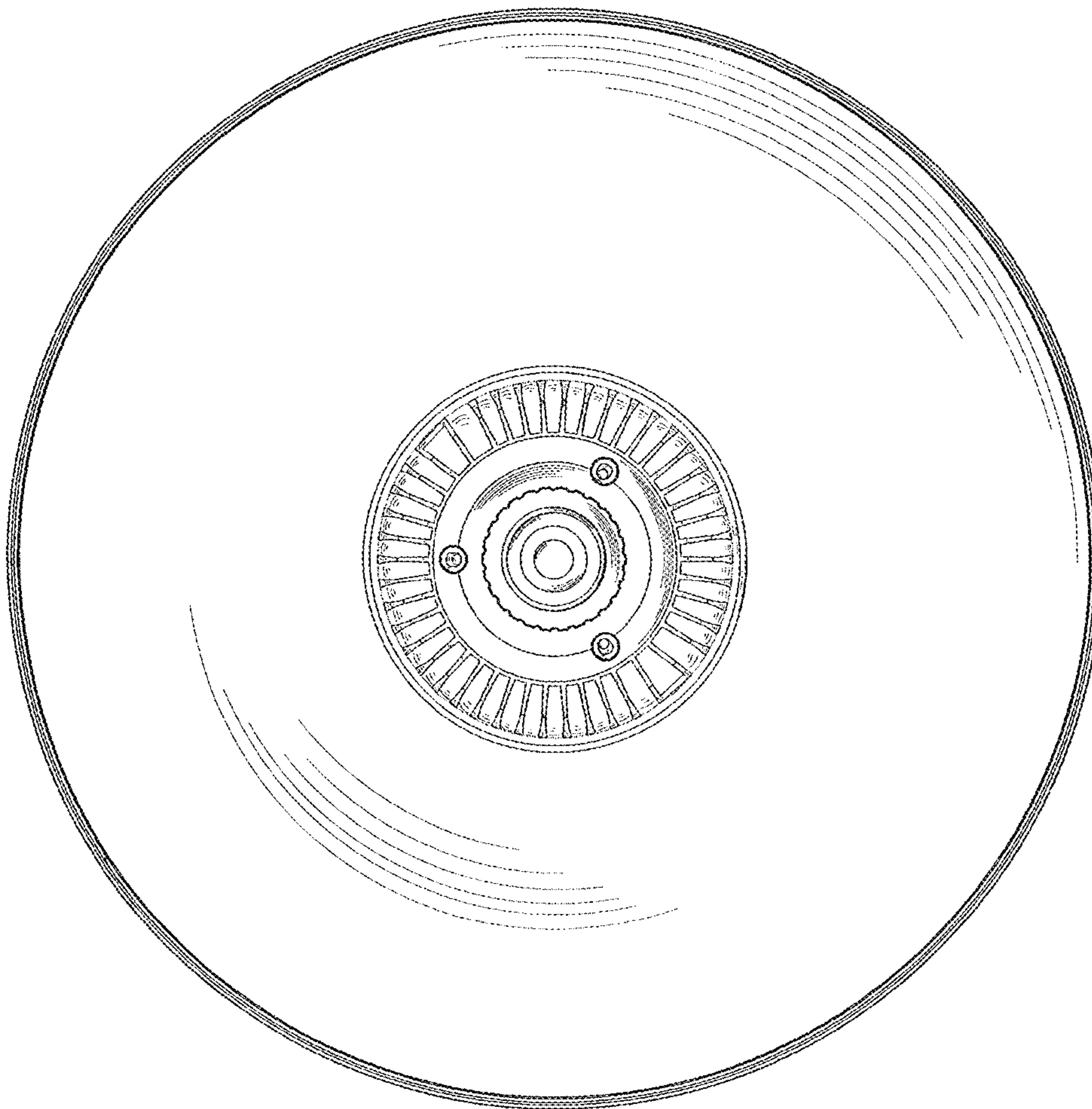


FIG.6



FIG.7