



US00D776835S

(12) **United States Design Patent** (10) **Patent No.:** **US D776,835 S**
Zhang et al. (45) **Date of Patent:** **** Jan. 17, 2017**

(54) **LED LIGHTING MODULE**
(71) Applicant: **OSRAM GmbH**, Munich (DE)
(72) Inventors: **HongWei Zhang**, Shenzhen Guangdong (CN); **Xinjian Zhang**, Shenzhen Guangdong (CN)

(73) Assignee: **Osram GmbH**, Munich (DE)

(**) Term: **14 Years**

(21) Appl. No.: **29/506,569**

(22) Filed: **Oct. 17, 2014**

(30) **Foreign Application Priority Data**

May 22, 2014 (EM) 002469023

(51) **LOC (10) Cl.** **26-04**

(52) **U.S. Cl.**
USPC **D26/1**

(58) **Field of Classification Search**
USPC D26/24, 1, 2, 3, 74, 76, 113, 120; D13/180, D13/182; 362/612, 555, 257, 800, 362/249.02, 237; 313/500; 257/82, 83, 98, 257/99, 433
CPC F21K 9/30; F21K 9/10; F21K 9/05; F21K 9/08
See application file for complete search history.

(56) **References Cited**

U.S. PATENT DOCUMENTS

D663,048 S * 7/2012 Chen D26/1
D665,518 S * 8/2012 Takahashi D26/1
D673,307 S * 12/2012 Moghal D26/1
D696,801 S 12/2013 He et al.
D703,841 S * 4/2014 Feng D26/1
D715,461 S * 10/2014 Chen D26/1
D722,717 S * 2/2015 Wang D26/51
D739,566 S * 9/2015 Chen D26/1
D743,353 S * 11/2015 Freeman D13/180

2014/0247595 A1* 9/2014 Lind F21K 9/30 362/249.04
2015/0109804 A1* 4/2015 Parekh F21S 4/008 362/398
2015/0330584 A1* 11/2015 Bobbo F21S 4/005 362/220

FOREIGN PATENT DOCUMENTS

CN 301787935 S 5/2011
EM 001791773-0001 12/2010
JP 1441276 4/2012
KR 300683434 2/2013

* cited by examiner

Primary Examiner — Lakiya Rogers
Assistant Examiner — Harold Blackwell, II
(74) *Attorney, Agent, or Firm* — Viering, Jentschura & Partner mbB

(57) **CLAIM**

The ornamental design for a LED lighting module, as shown and described.

DESCRIPTION

FIG. 1 is a perspective view of a first embodiment of a LED lighting module;
FIG. 2 is a front view of the first embodiment of the LED lighting module;
FIG. 3 is a left side view of the first embodiment of the LED lighting module;
FIG. 4 is a right side view of the first embodiment of the LED lighting module;
FIG. 5 is a top view of the first embodiment of the LED lighting module;
FIG. 6 is a back view of the first embodiment of the LED lighting module; and,
FIG. 7 is a bottom view of the first embodiment of the LED lighting module.
The broken lines illustrate portions of the LED lighting module that form no part of the claim.

1 Claim, 7 Drawing Sheets

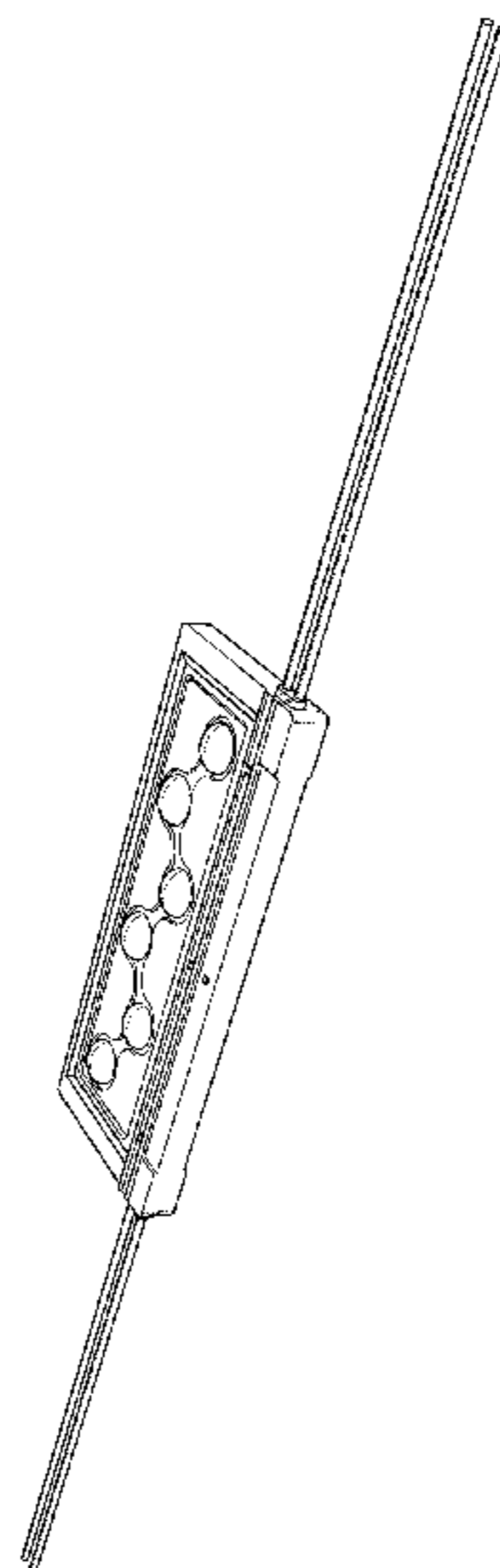


FIG 1

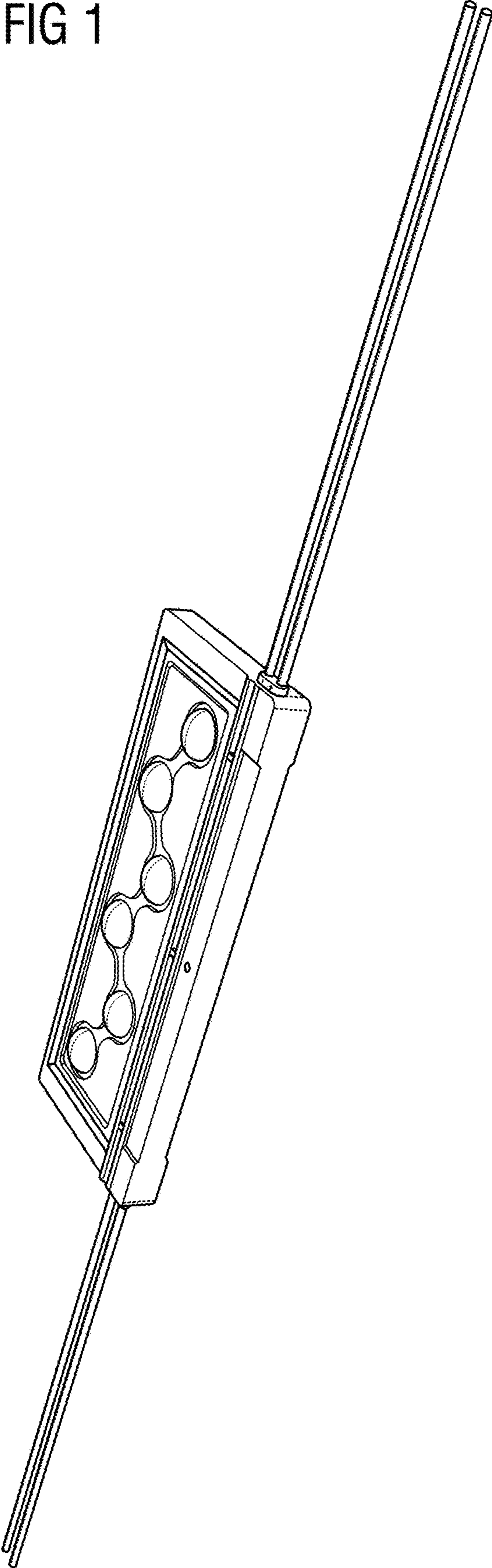


FIG 2

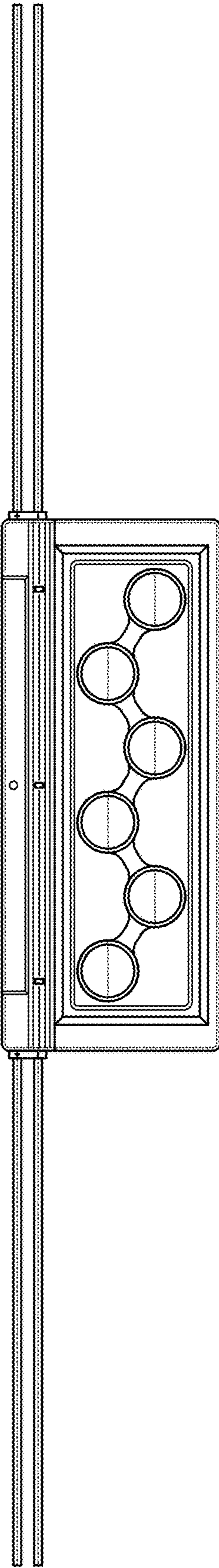


FIG 3

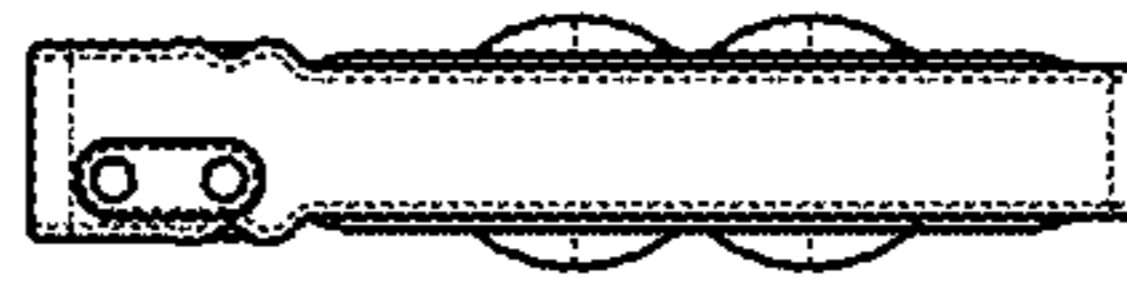


FIG 4

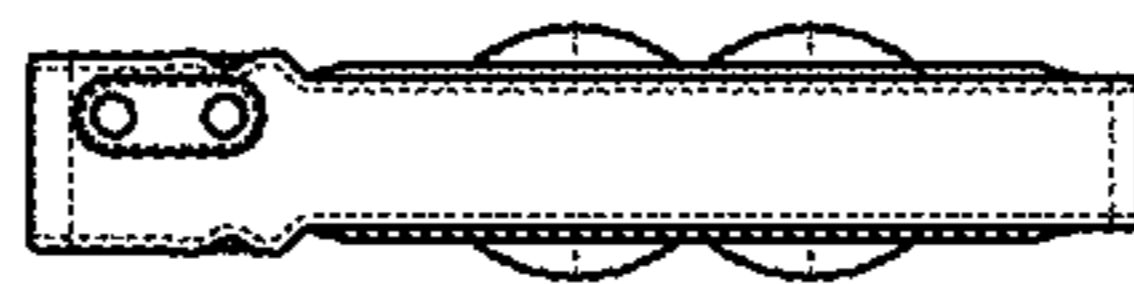


FIG 5



FIG 6

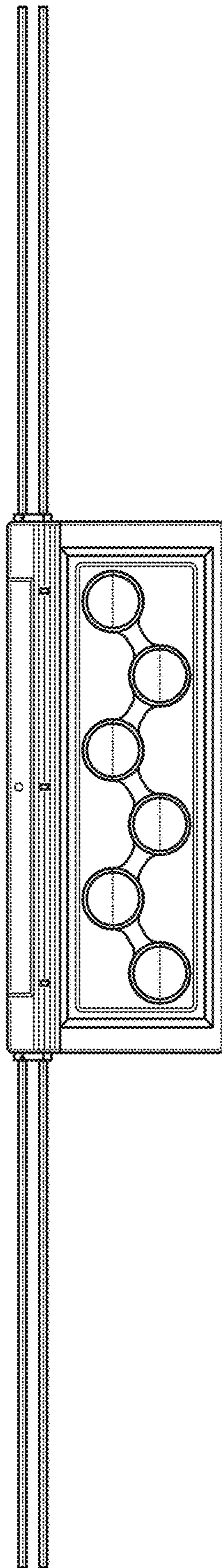


FIG 7

