

US00D776831S

(12) **United States Design Patent**
Malpesa Guerrero et al.

(10) **Patent No.:** **US D776,831 S**
(45) **Date of Patent:** **** Jan. 17, 2017**

(54) **SLAB FOR BUILDING**
(71) Applicant: **CERÁMICA MALPESA, S.A.**, Bailén,
Jaén (ES)
(72) Inventors: **José Malpesa Guerrero**, Jaén (ES);
Antonio José Escribano Baeyens, Jaén
(ES)
(73) Assignee: **CERAMICA MALPESA, S.A.** (ES)
(**) Term: **15 Years**

2,132,647 A * 10/1938 Robins A63H 33/108
446/94
2,141,397 A 12/1938 Locke
3,148,477 A * 9/1964 Bjorn et al. A63H 33/082
446/106
3,228,159 A * 1/1966 Miller E04B 9/26
52/222
4,977,730 A * 12/1990 Pardo E04F 15/08
52/602
5,007,218 A 4/1991 Bengtson et al.
D483,906 S * 12/2003 Chandler D25/131
D621,075 S * 8/2010 Haeussler D25/140
D765,797 S * 9/2016 Banik D21/484

(21) Appl. No.: **29/543,109**
(22) Filed: **Oct. 21, 2015**
(30) **Foreign Application Priority Data**
Apr. 22, 2015 (EM) 002686428-0005
(51) **LOC (10) Cl.** **25-01**
(52) **U.S. Cl.**
USPC **D25/115**
(58) **Field of Classification Search**
USPC D8/349; D21/484, 500; D25/102, 112,
D25/113, 115, 119, 125, 136; 52/302.1,
52/386, 387, 592.1, 602, 605, 608
CPC E04B 2/04; E04F 15/08; E04D 11/00
See application file for complete search history.

FOREIGN PATENT DOCUMENTS

WO WO 01/18317 A1 3/2001
* cited by examiner

Primary Examiner — Susan Bennett Hattan
Assistant Examiner — Leanne Was
(74) *Attorney, Agent, or Firm* — Craig A. Fieschko, Esq.;
DeWitt Ross & Stevens S.C.

(57) **CLAIM**

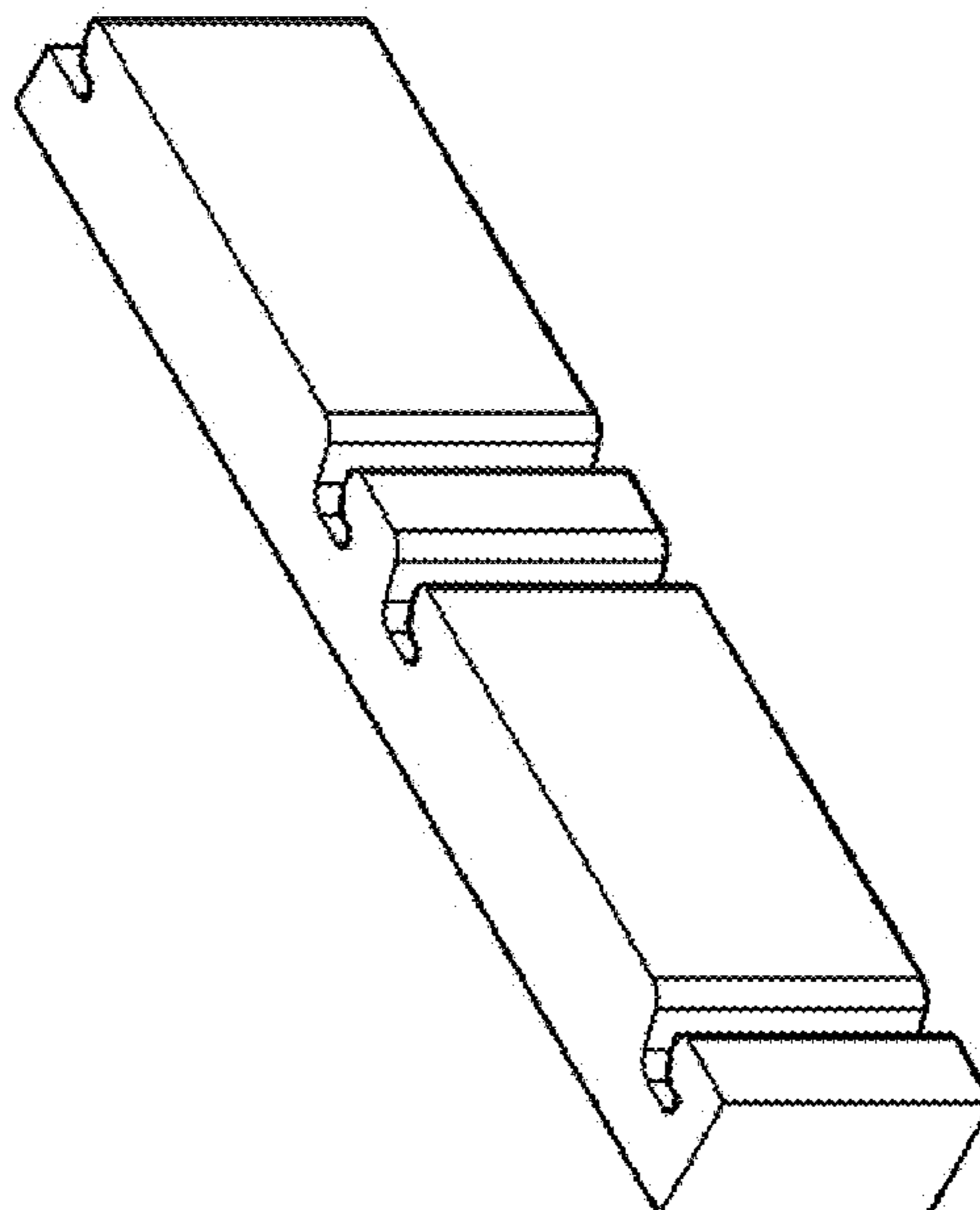
We claim the ornamental design for a slab for building, as shown.

DESCRIPTION

FIG. 1 is a perspective view of a slab for building showing the top, front, and right sides of the design; FIG. 2 is a top rear perspective view showing the bottom, front, and left sides of the design of FIG. 1; and, FIG. 3 is a bottom frontal perspective view showing the top, front, and right sides of the design of FIG. 1.

1 Claim, 3 Drawing Sheets

(56) **References Cited**
U.S. PATENT DOCUMENTS
D4,058 S * 5/1870 Ellis D21/500
1,182,980 A * 5/1916 Converse A63H 33/062
446/121



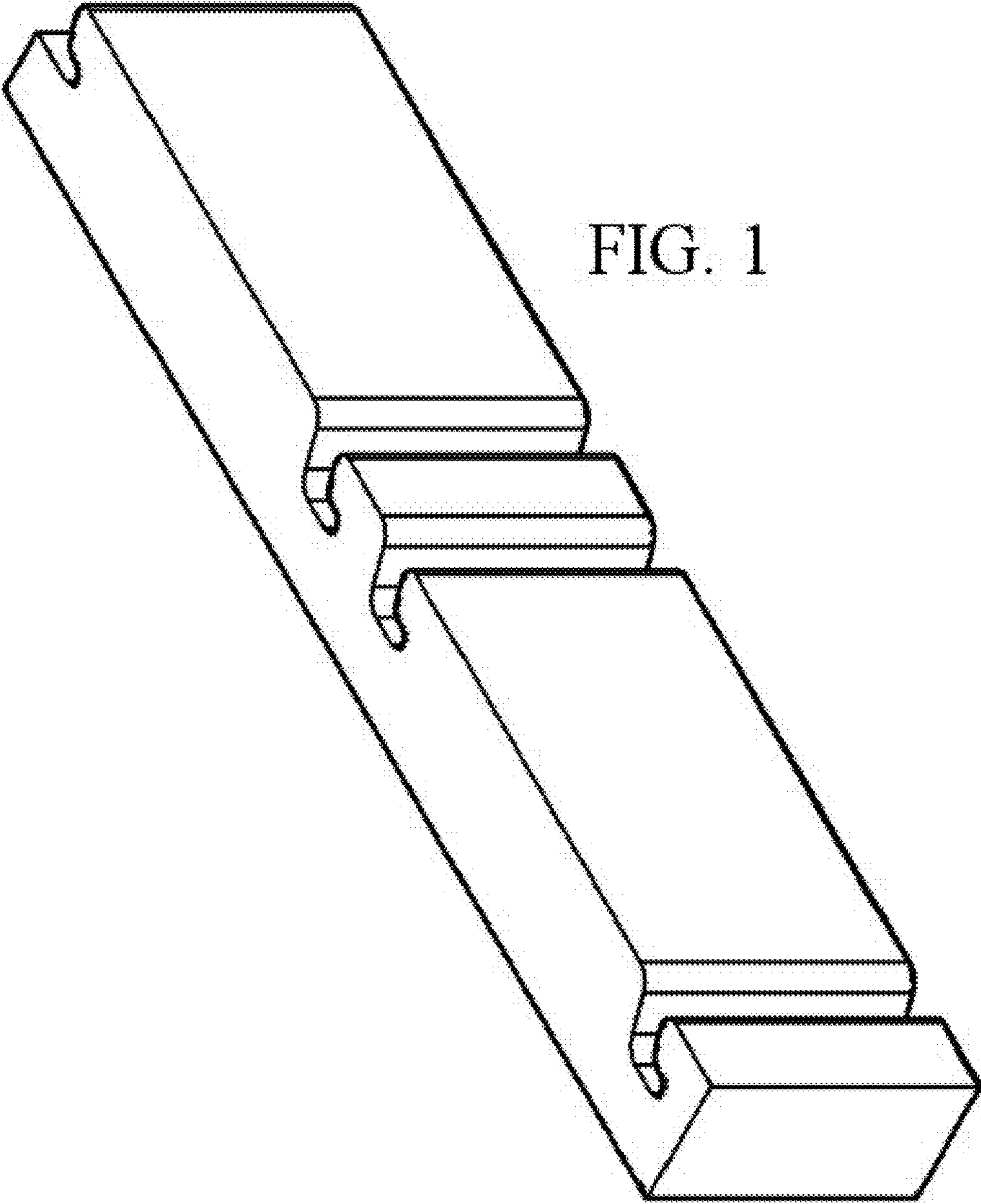


FIG. 1

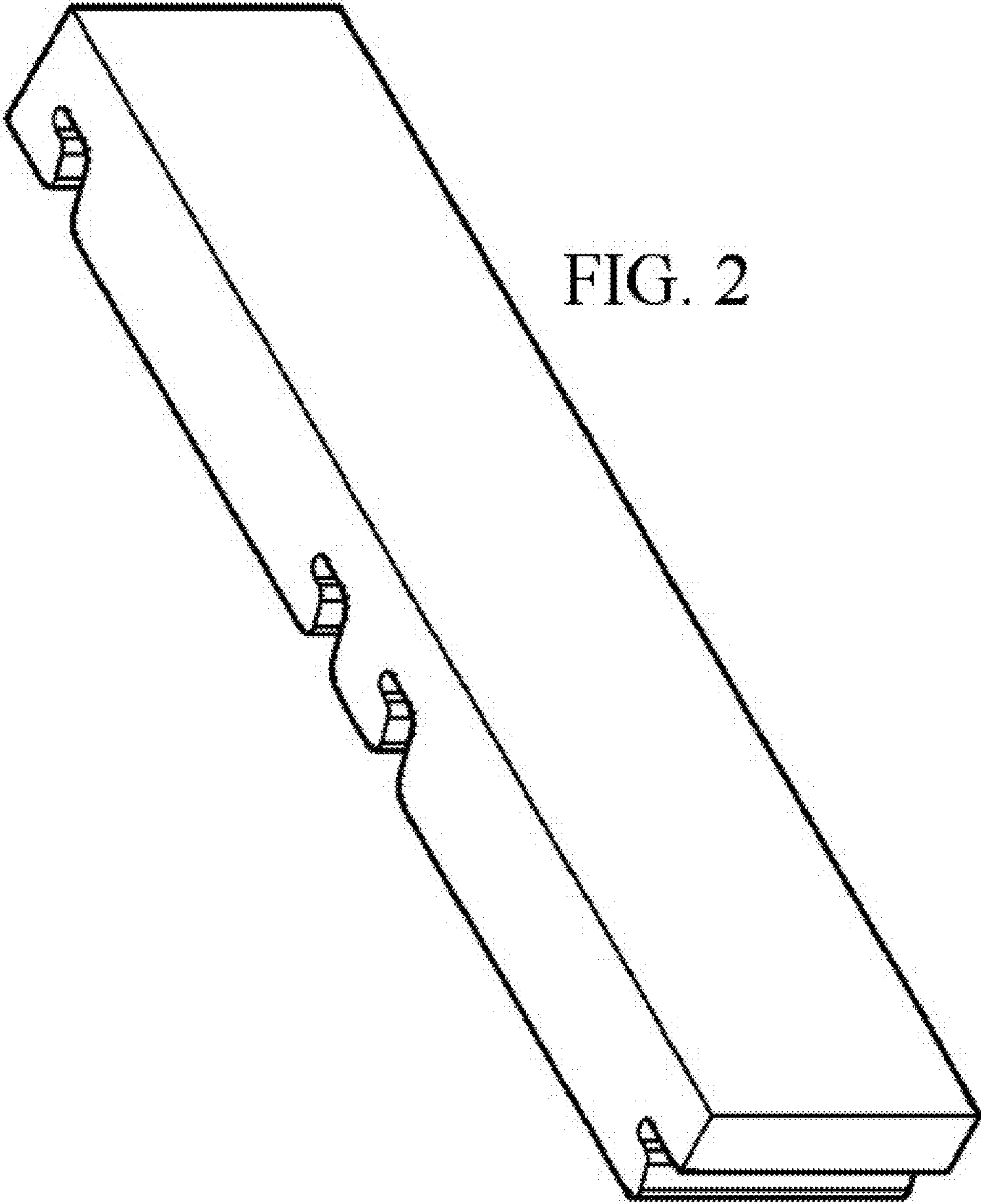


FIG. 2

