



US00D776830S

(12) **United States Design Patent**
Malpesa Guerrero et al.

(10) **Patent No.:** **US D776,830 S**
(45) **Date of Patent:** **** Jan. 17, 2017**

(54) **SLAB FOR BUILDING**
(71) Applicant: **CERÁMICA MALPESA, S.A.**, Bailén, Jaén (ES)
(72) Inventors: **José Malpesa Guerrero**, Jaén (ES); **Antonio José Escribano Baeyens**, Jaén (ES)
(73) Assignee: **CERAMICA MALPESA, S.A.** (ES)
(**) Term: **15 Years**

2,132,647 A * 10/1938 Robins A63H 33/108
446/94
2,141,397 A 12/1938 Locke
3,148,477 A * 9/1964 Bjphirn A63H 33/082
446/106
3,228,159 A * 1/1966 Miller E04B 9/26
52/222
4,977,730 A * 12/1990 Pardo E04F 15/08
52/602
5,007,218 A 4/1991 Bengtson et al.
D483,906 S * 12/2003 Chandler D25/131
D765,797 S * 9/2016 Banik D21/484
2016/0168849 A1 * 6/2016 Ryan E04B 2/8641
52/404.2

(21) Appl. No.: **29/543,106**

FOREIGN PATENT DOCUMENTS

(22) Filed: **Oct. 21, 2015**

WO WO 01/18317 A1 3/2001

(30) **Foreign Application Priority Data**

* cited by examiner

Apr. 22, 2015 (EM) 002686428-0004

Primary Examiner — Susan Bennett Hattan

(51) **LOC (10) Cl.** **25-01**

Assistant Examiner — Leanne Was

(52) **U.S. Cl.**

(74) *Attorney, Agent, or Firm* — Craig A. Fieschko, Esq.; DeWitt Ross & Stevens S.C.

USPC **D25/115**

(58) **Field of Classification Search**

(57) **CLAIM**

USPC D8/349; D21/484, 500; D25/102, 112, D25/113, 115, 119, 125, 136; 52/302.1, 52/386, 387, 592.1, 602, 605, 608

We claim the ornamental design for a slab for building, as shown.

CPC E04B 2/04; E04F 15/08; E04D 11/00

DESCRIPTION

See application file for complete search history.

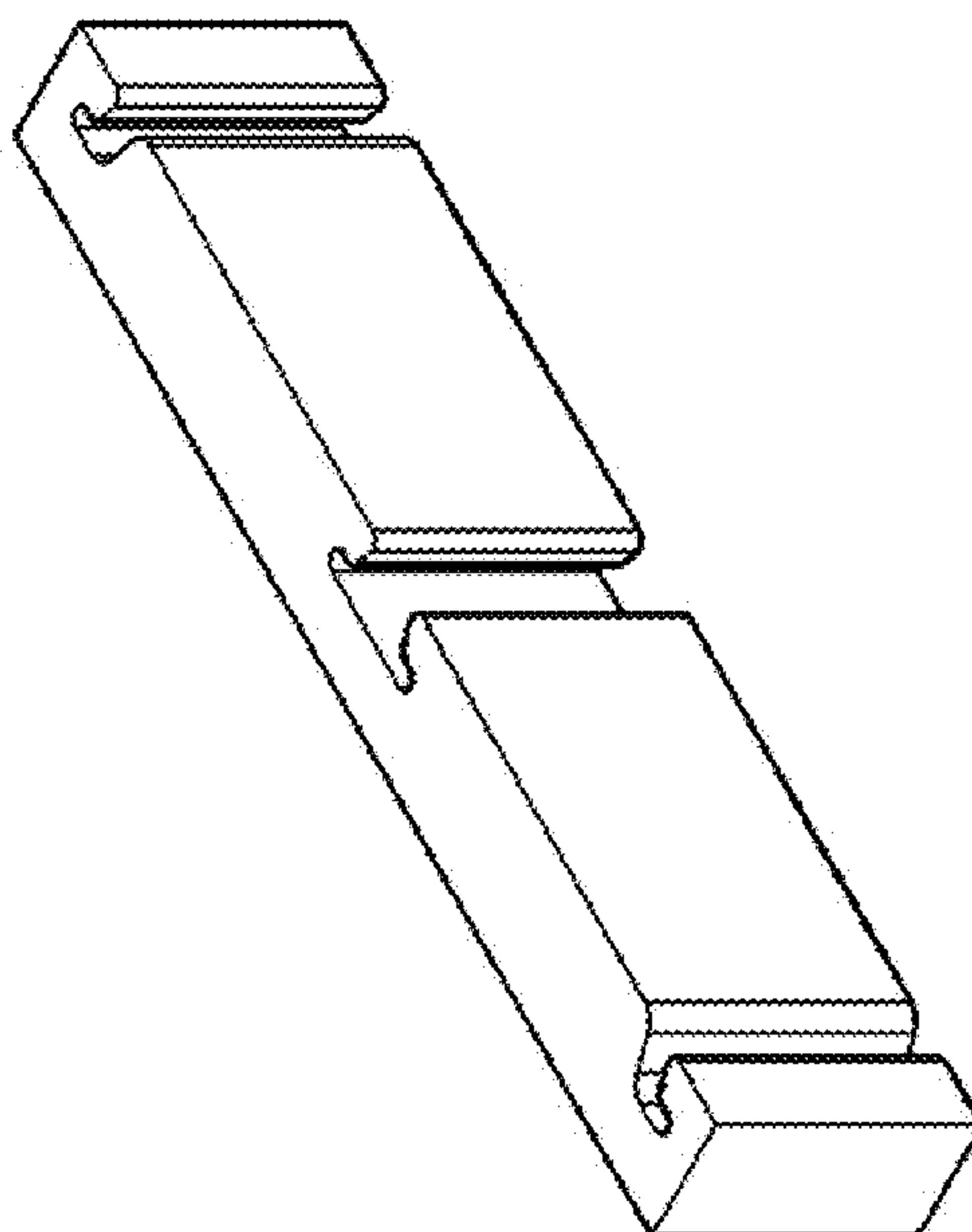
FIG. 1 is a perspective view of a slab for building showing the top, front, and right sides of the design; FIG. 2 is a top rear perspective view showing the bottom, rear, and right sides of the design of FIG. 1; and, FIG. 3 is a bottom frontal perspective view showing the top, rear, and left sides of the design of FIG. 1.

(56) **References Cited**

U.S. PATENT DOCUMENTS

1 Claim, 3 Drawing Sheets

D4,058 S * 5/1870 Ellis D21/500
1,182,980 A * 5/1916 Converse A63H 33/062
446/121



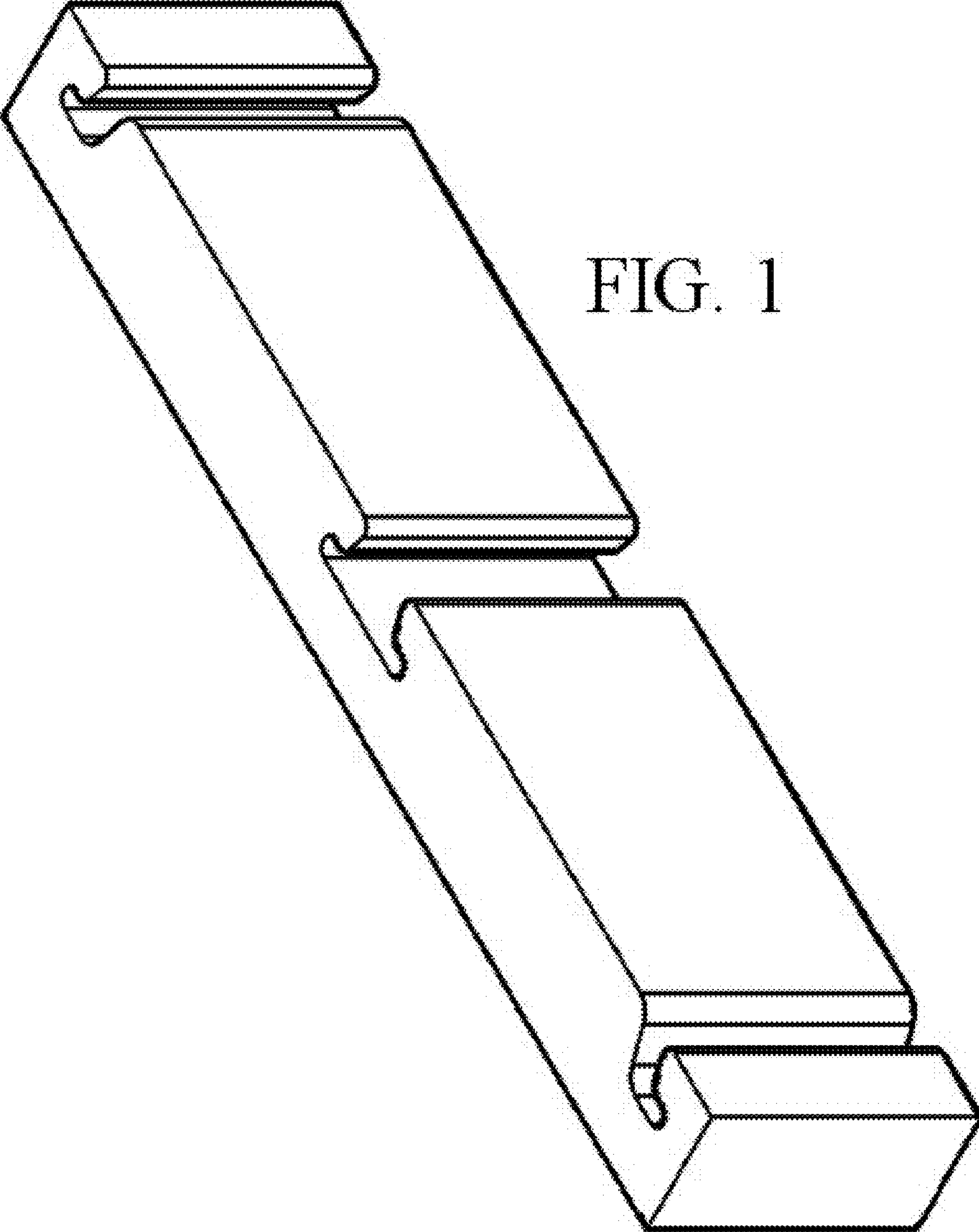


FIG. 1

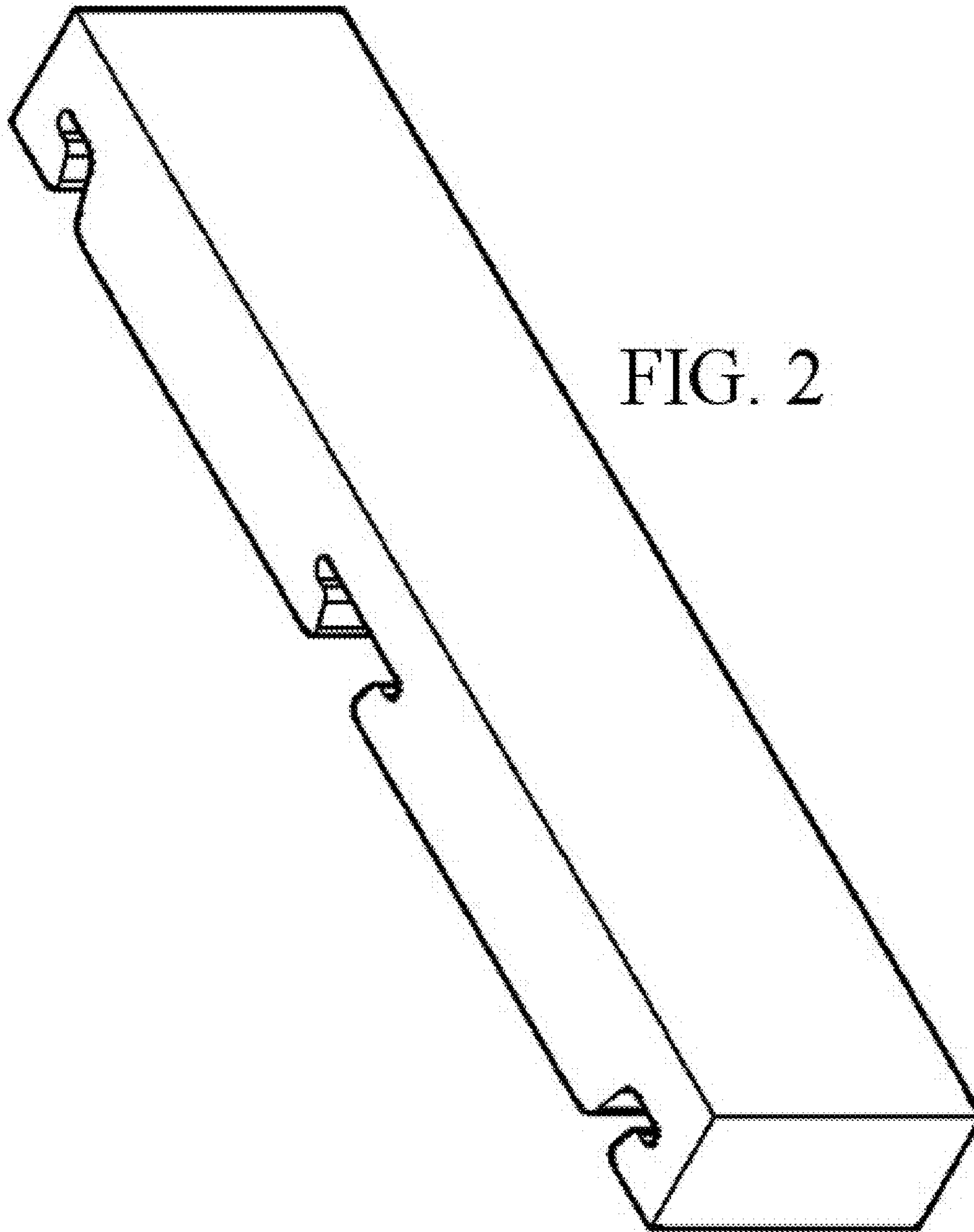


FIG. 2

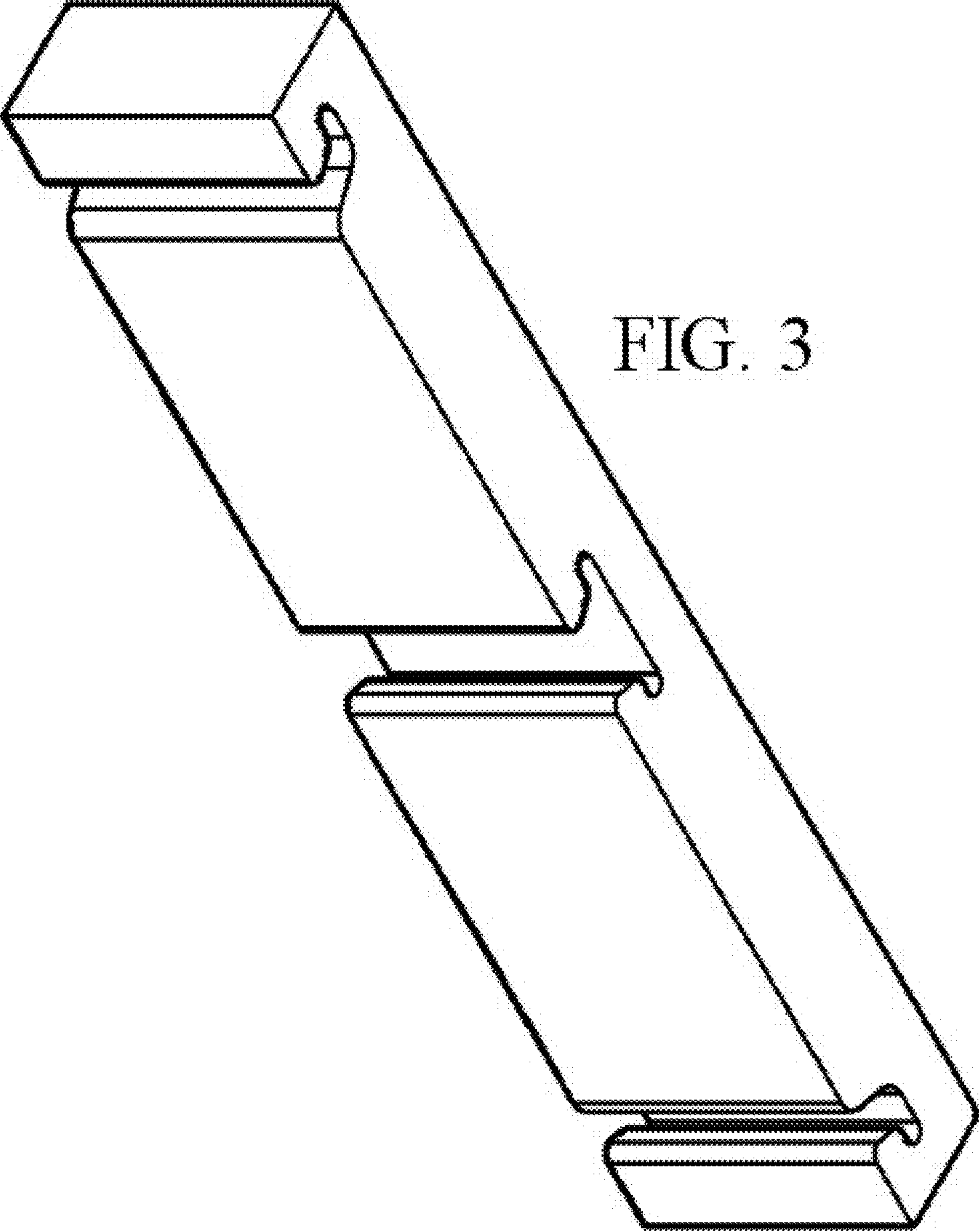


FIG. 3