



US00D776827S

(12) **United States Design Patent** (10) **Patent No.:** **US D776,827 S**  
**Bokros** (45) **Date of Patent:** **\*\* Jan. 17, 2017**

(54) **EXTENDABLE SCAFFOLD LEG** 2005/0072628 A1\* 4/2005 Riley ..... E04G 3/22  
182/82  
(71) Applicant: **LOBO Systems Limited**, Derby (GB) 2006/0175130 A1\* 8/2006 Riley ..... E04G 3/20  
182/82  
(72) Inventor: **Robert Bokros**, Derby (GB) 2007/0145215 A1\* 6/2007 Riblet ..... E04G 1/20  
248/226.11

(73) Assignee: **LOBO Systems Limited**, Derby (GB) \* cited by examiner

(\*\*) Term: **15 Years**

*Primary Examiner* — Cynthia Ramirez

*Assistant Examiner* — Gino Colan

(21) Appl. No.: **29/544,209**

(74) *Attorney, Agent, or Firm* — Renner, Otto, Boisselle and Sklar LLP

(22) Filed: **Oct. 30, 2015**

(30) **Foreign Application Priority Data**

(57) **CLAIM**

Aug. 11, 2015 (EM) ..... 2752774-0001

The ornamental design for an extendable scaffold leg, as shown and described.

(51) **LOC (10) Cl.** ..... **25-04**

**DESCRIPTION**

(52) **U.S. Cl.**

USPC ..... **D25/68**

(58) **Field of Classification Search**

USPC ..... D25/62–68, 119, 131; 182/82, 113, 148,  
182/136; 248/226.11, 246, 407, 161

CPC ..... E04G 7/32; E04G 5/00; E04G 1/34;  
E04G 5/046

See application file for complete search history.

FIG. 1 is a perspective view of the extendable scaffold leg showing my new design;

FIG. 2 is a front view of the extendable scaffold leg shown in FIG. 1;

FIG. 3 is a left side view of the extendable scaffold leg shown in FIG. 1;

FIG. 4 is a back side view of the extendable scaffold leg shown in FIG. 1;

FIG. 5 is a right side view of the extendable scaffold leg shown in FIG. 1;

FIG. 6 is a top plan view of the extendable scaffold leg of FIG. 1 shown in a larger scale; and,

FIG. 7 is a bottom plan view of the extendable scaffold leg of FIG. 1 shown in a larger scale.

(56) **References Cited**

U.S. PATENT DOCUMENTS

4,942,940 A \* 7/1990 Boeshart ..... E04G 1/20  
182/146  
D371,608 S \* 7/1996 Mintz ..... D25/68  
D380,277 S \* 6/1997 Bonn ..... D25/68  
D420,752 S \* 2/2000 Hiscock ..... D25/68  
D484,617 S \* 12/2003 Micheals ..... D25/131

**1 Claim, 7 Drawing Sheets**



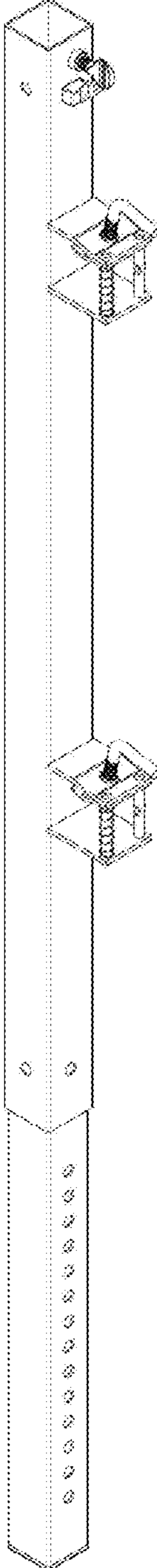


FIG. 1

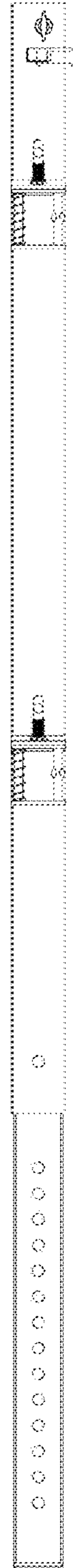


FIG. 2

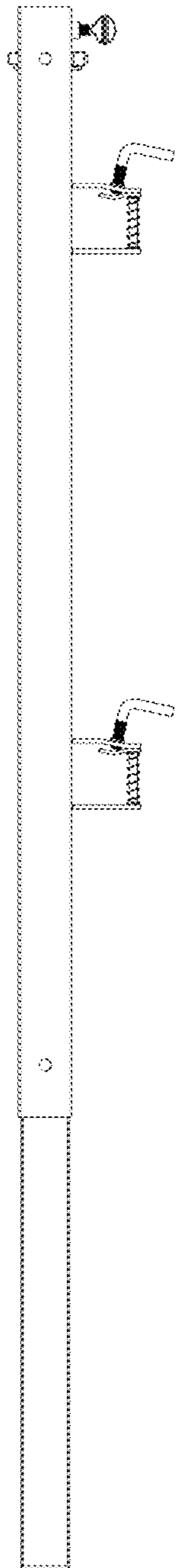


FIG. 3



FIG. 4

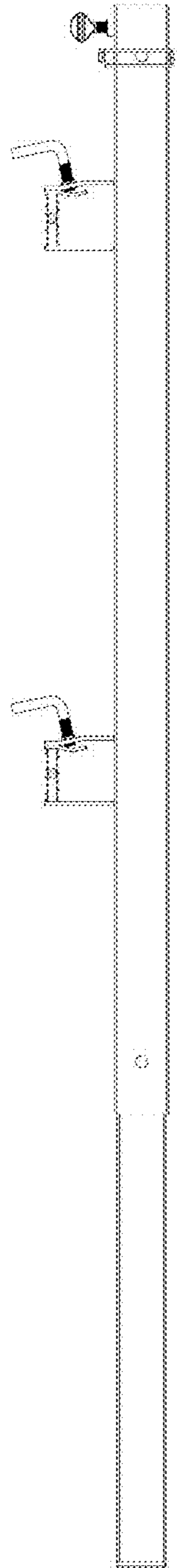


FIG. 5

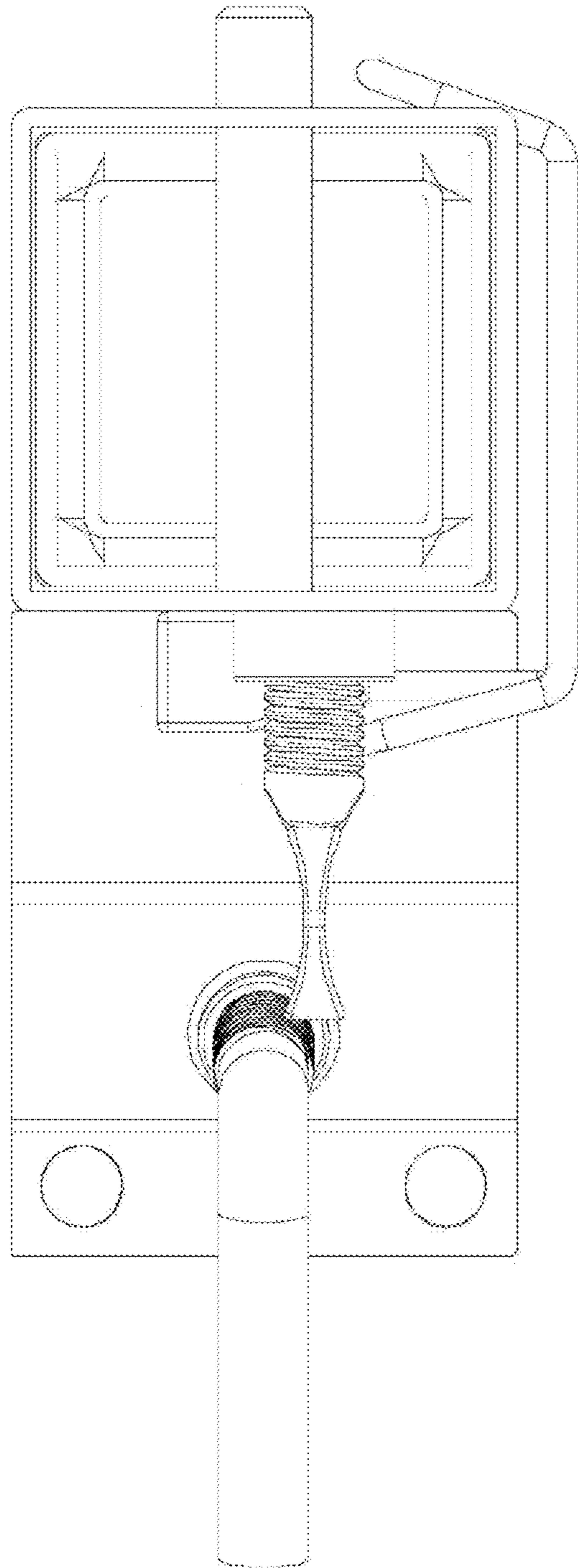


FIG. 6

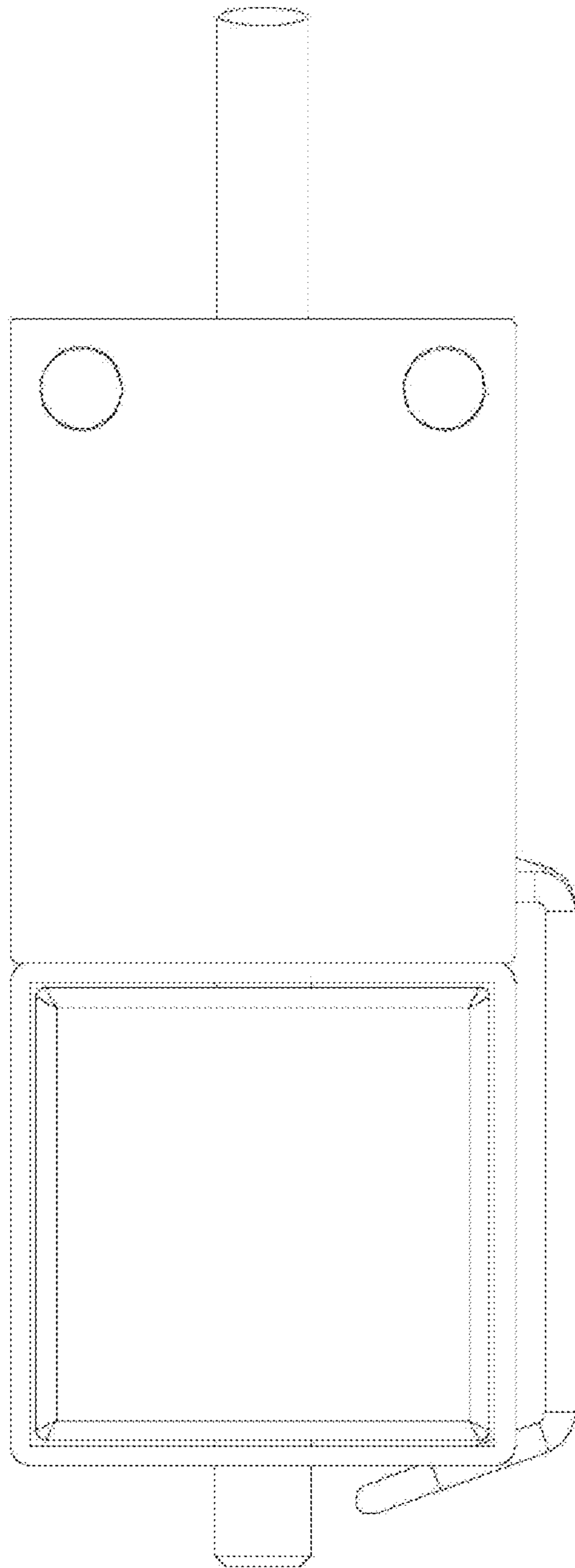


FIG. 7