



US00D776826S

(12) **United States Design Patent** (10) **Patent No.:** **US D776,826 S**
Foley et al. (45) **Date of Patent:** **** Jan. 17, 2017**

(54) **WORK PLATFORM**

- (71) Applicant: **Tricam Industries, Inc.**, Eden Prairie, MN (US)
- (72) Inventors: **Joseph Foley**, Saint Paul, MN (US);
Benjamin Williams, Chaska, MN (US);
Dennis Simpson, Plymouth, MN (US)
- (73) Assignee: **Tricam Industries, Inc.**, Eden Prairie, MN (US)
- (**) Term: **15 Years**

- (21) Appl. No.: **29/536,154**
- (22) Filed: **Aug. 13, 2015**
- (51) **LOC (10) Cl.** **25-04**
- (52) **U.S. Cl.**
USPC **D25/66**
- (58) **Field of Classification Search**
USPC ... D25/62-69; 248/303, 304, 551, 302, 339;
D8/370, 373; 182/90, 151, 92, 187, 141,
182/222, 148, 69.6, 116, 84
CPC B66F 9/127; E04G 1/152; E04G 1/22
See application file for complete search history.

(56) **References Cited**

U.S. PATENT DOCUMENTS

2,587,177	A	2/1952	Larson	
5,678,653	A *	10/1997	Clinch E04G 1/14 182/118
D486,243	S *	2/2004	Yamaoka D25/62
6,892,860	B2 *	5/2005	Gibson E04G 1/28 108/119
8,042,653	B2	10/2011	Grebinoski et al.	
2006/0169539	A1 *	8/2006	Grebinoski E04G 1/15 182/223

OTHER PUBLICATIONS

Harbor Freight, "Step Stool/Working Platform". <http://www.harborfreight.com/step-stool-working-platform-66911.html>, accessed Sep. 17, 2015, 1 pg.
California Car Cover Co., "Folding Platform Ladder". http://www.calcarcover.com/product/1562/107/Folding_Platform_Ladder, accessed Sep. 17, 2015, 2 pgs.

(Continued)

Primary Examiner — Cynthia Ramirez
Assistant Examiner — Gino Colan
(74) *Attorney, Agent, or Firm* — Patterson Thuent Pedersen, P.A.

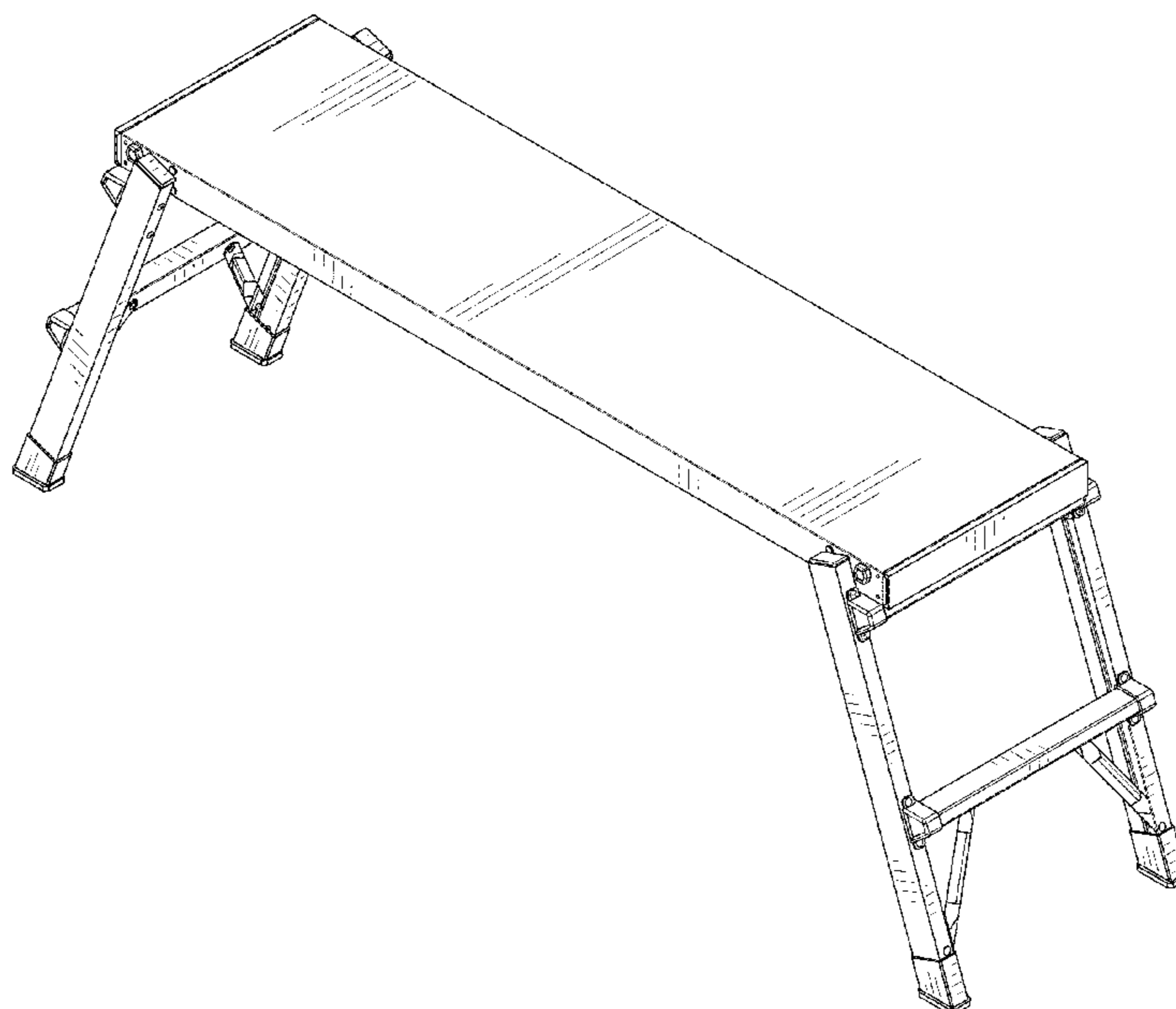
(57) **CLAIM**

We claim the ornamental design for work platform, as shown and described.

DESCRIPTION

FIG. 1 is an isometric view of a work platform in an open position.
FIG. 2 is a top plan view thereof.
FIG. 3 is a side elevation view thereof, the view from the other side being a mirror image of FIG. 3.
FIG. 4 is an end view thereof, the view from the other end being a mirror image of FIG. 4.
FIG. 5 is a bottom plan view thereof.
FIG. 6 is an isometric view thereof in a closed position.
FIG. 7 is a top plan view thereof in a closed position.
FIG. 8 is a side elevation view thereof in a closed position, the view from the other side being a mirror image of FIG. 8.
FIG. 9 is a bottom view thereof in a closed position; and, FIG. 10 is an end elevation view thereof in a closed position, the view from the other end being a mirror image of FIG. 10.

1 Claim, 8 Drawing Sheets



(56)

References Cited

OTHER PUBLICATIONS

Bauer Corporation, "20900 Fold-N-Go Platform 500 lb. Capacity".
<http://www.bauerladder.com/safety-ladder/20900-fold-n-go-work-platform.html>, accessed Sep. 17, 2015, 1 pg.
http://www.canbuilt.com/images_thumb/WP-1238.jpg, accessed Sep. 17, 2015, 1 pg.
http://sell.lulusoso.com/upload/20120309/Aluminium_work_platform.jpg, accessed Sep. 17, 2015, 1 pg.

* cited by examiner

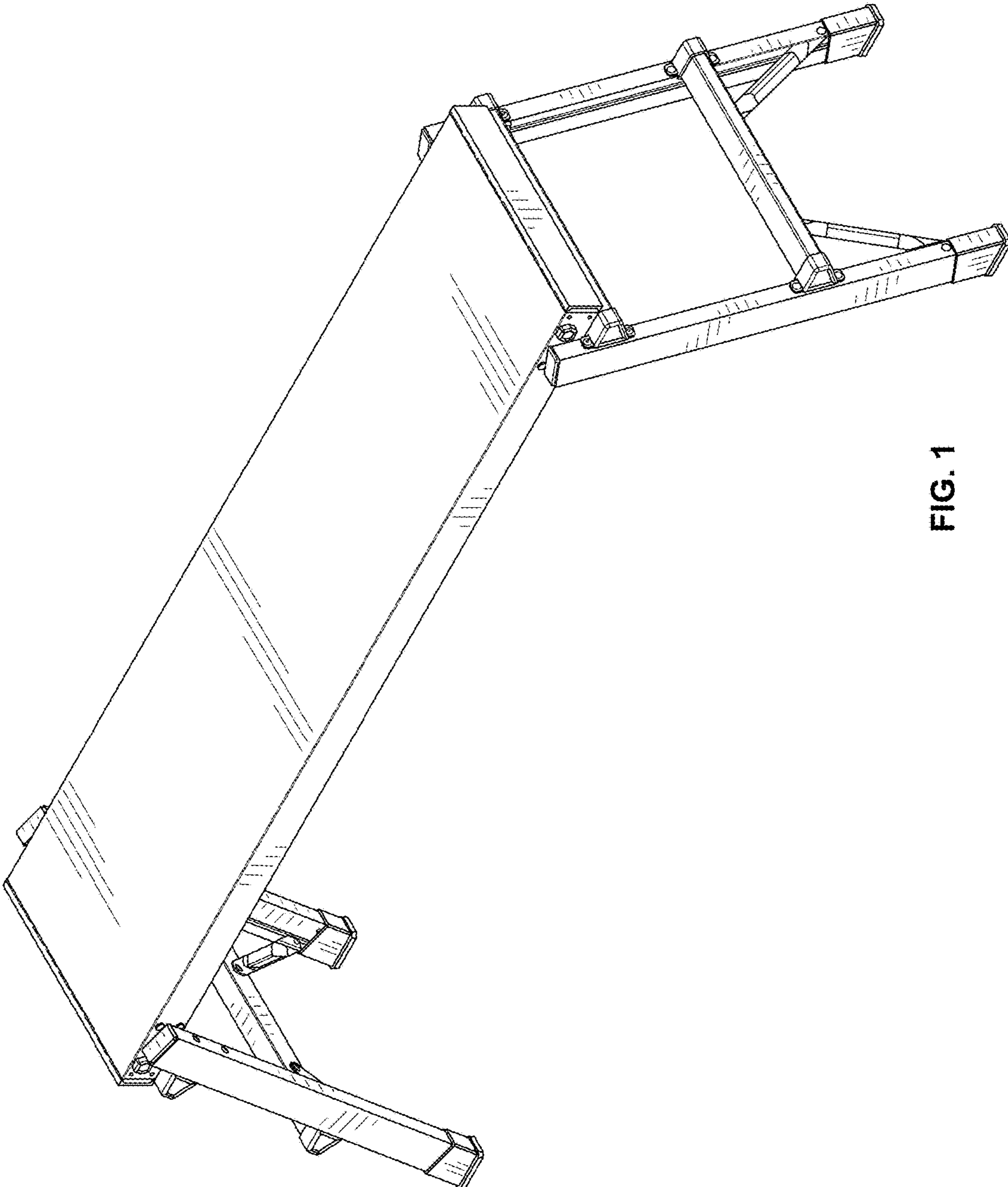


FIG. 1

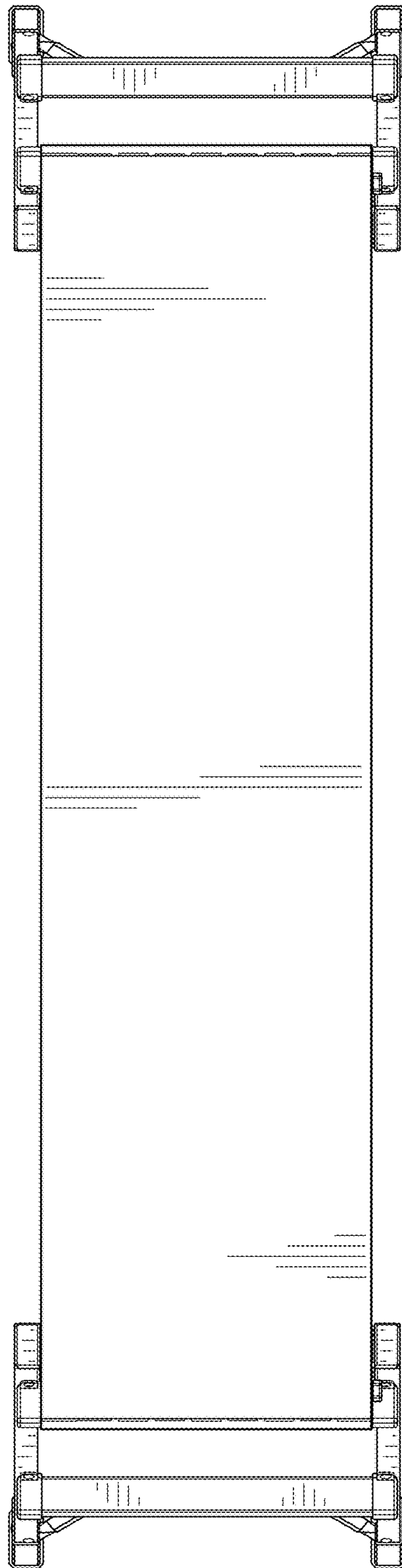


FIG. 2

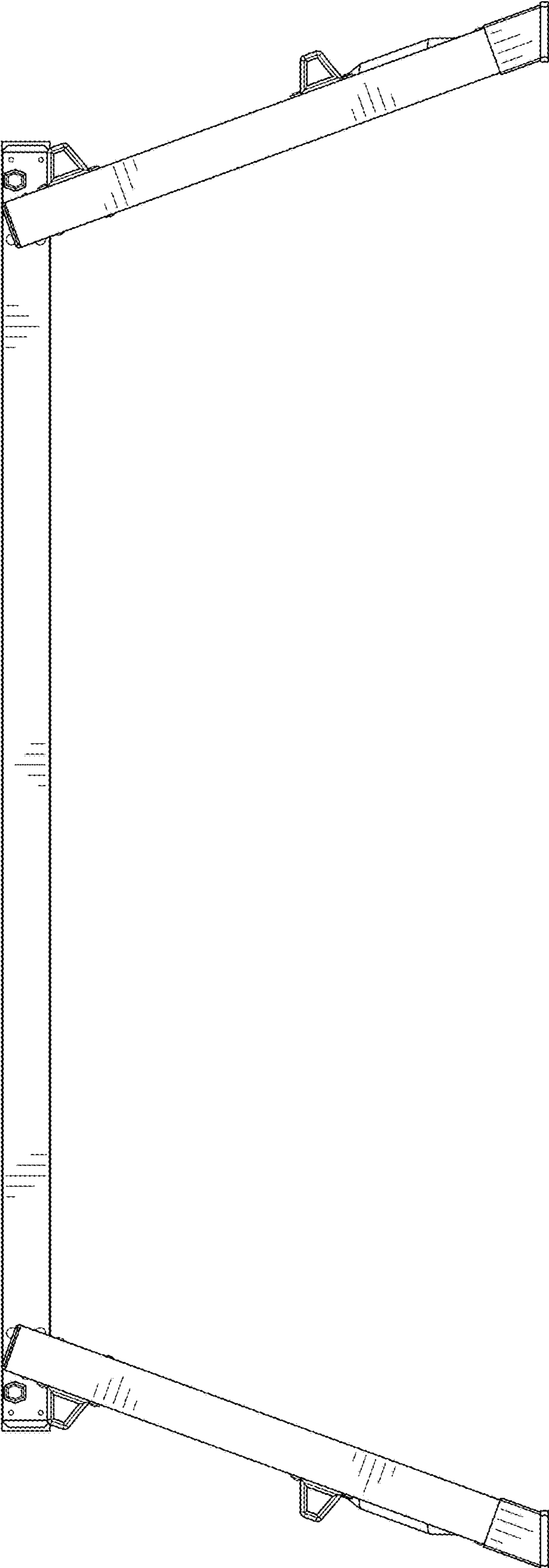


FIG. 3

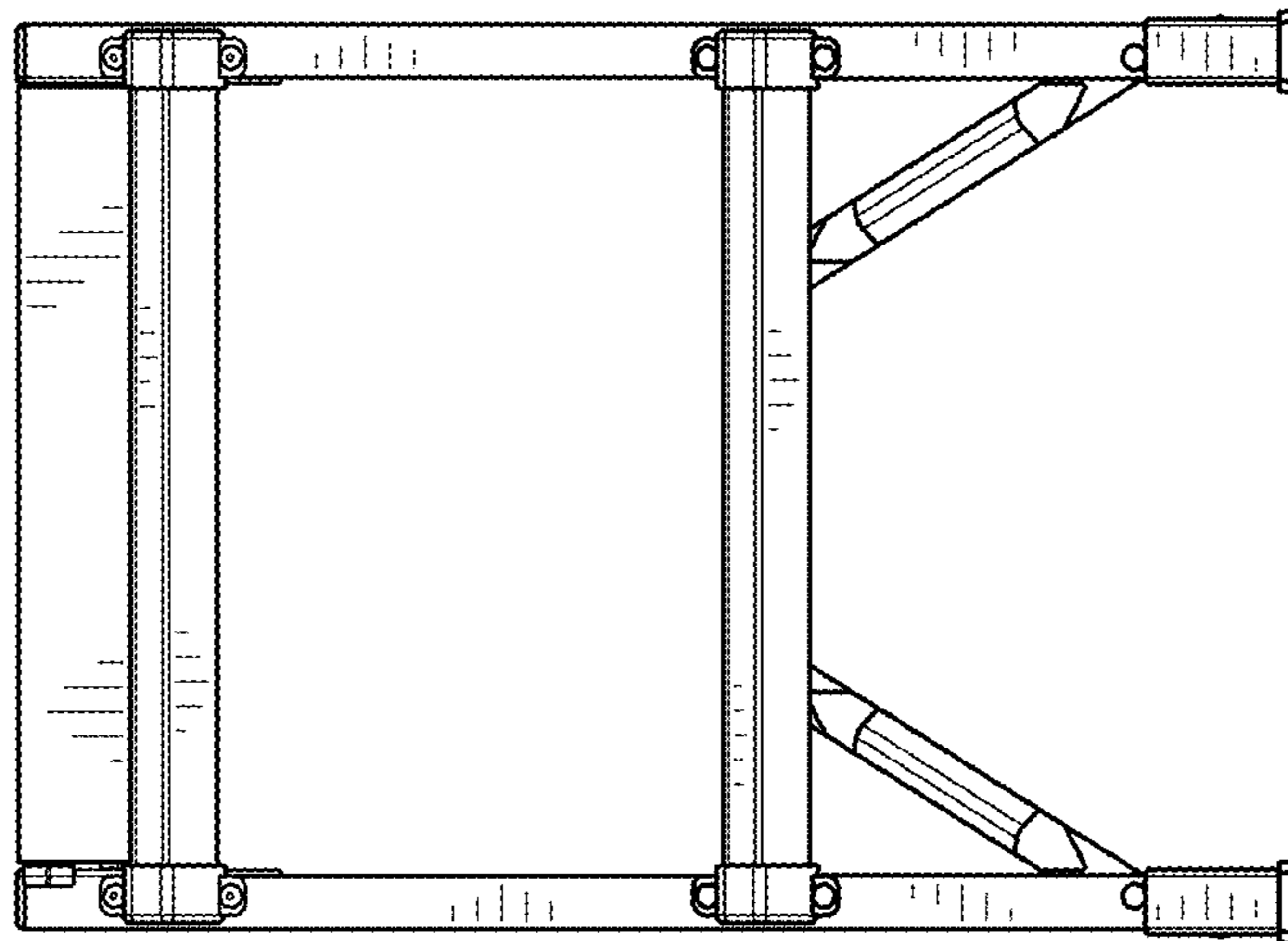


FIG. 4

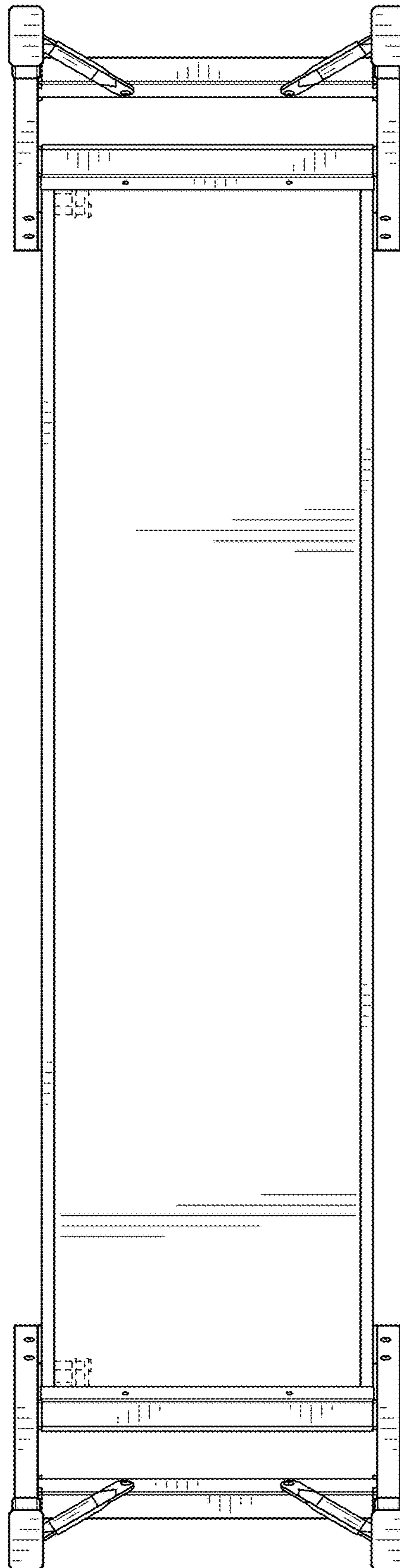


FIG. 5

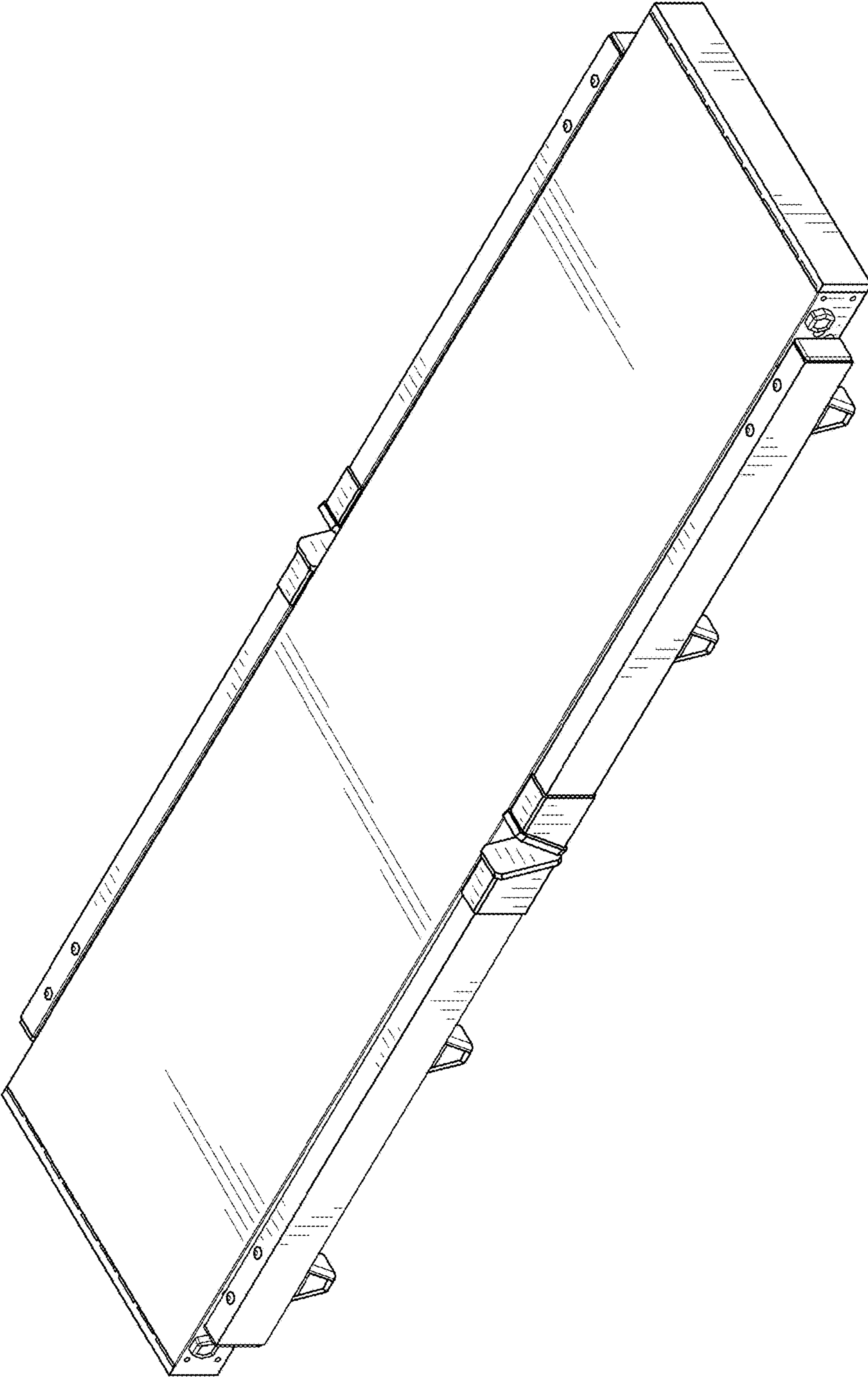


FIG. 6

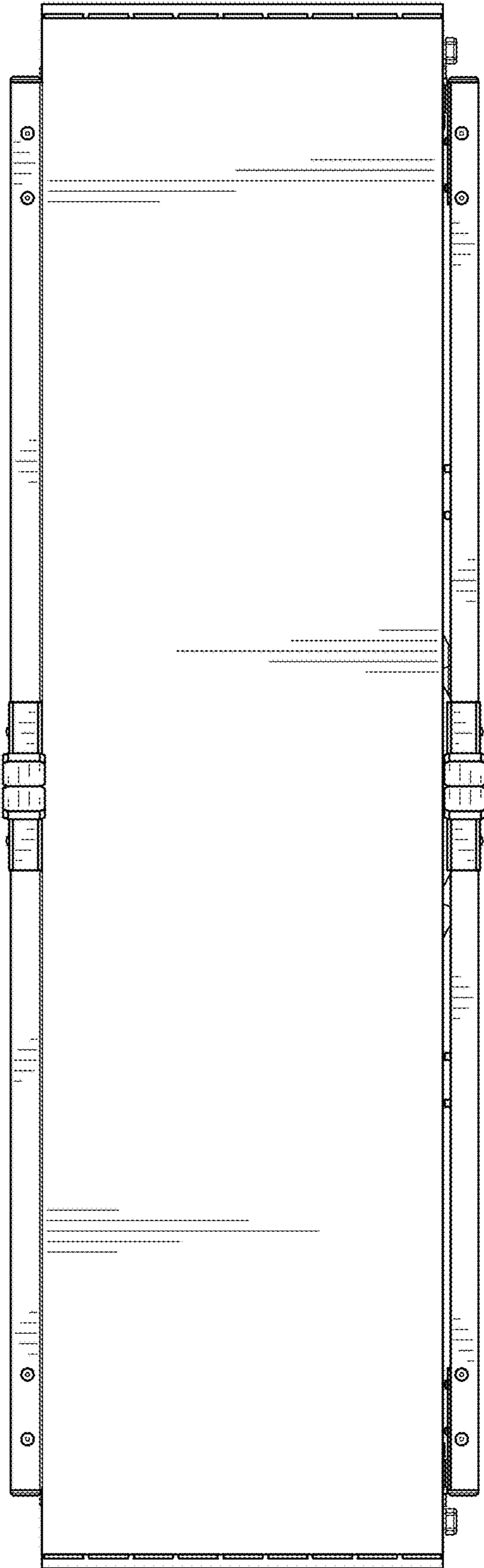


FIG. 7

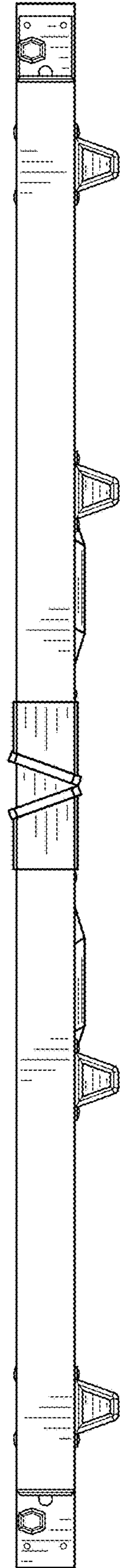


FIG. 8

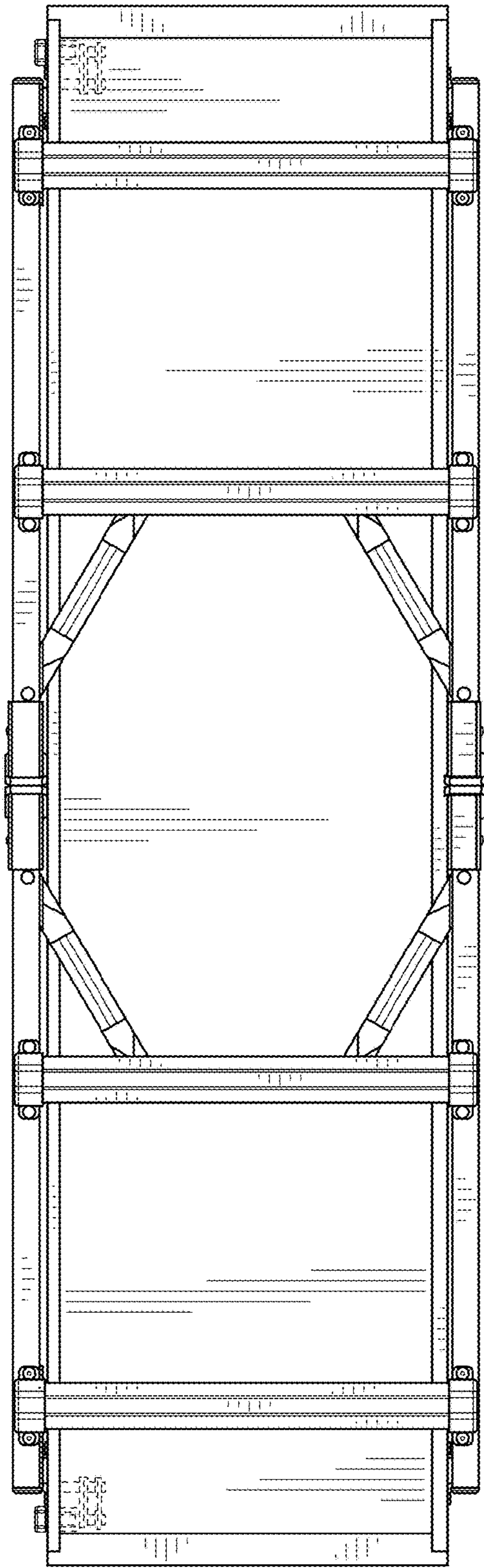


FIG. 9

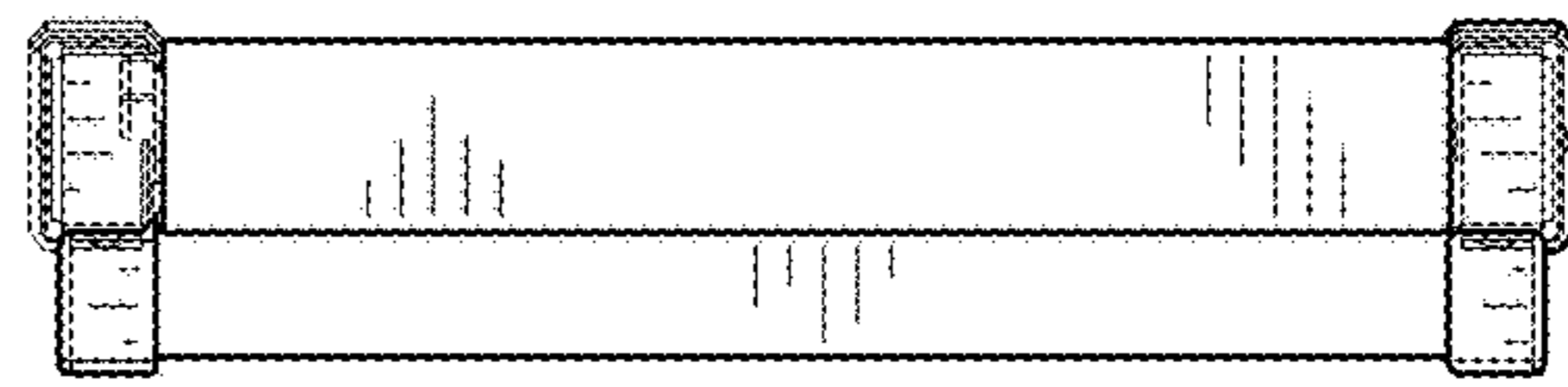


FIG. 10