



US00D776825S

(12) **United States Design Patent** (10) **Patent No.:** **US D776,825 S**
Patil et al. (45) **Date of Patent:** **** Jan. 17, 2017**

(54) **BIOREACTOR HOUSING**

(56) **References Cited**

(71) Applicant: **General Electric Company**,
Schenectady, NY (US)

(72) Inventors: **Haresh Digambar Patil**, Bangalore
(IN); **Praveen Paul**, Bangalore (IN);
Manish Uddhaorao Choudhary,
Bangalore (IN)

U.S. PATENT DOCUMENTS

5,688,687	A *	11/1997	Palsson	C12M 23/42 435/293.2
D685,499	S *	7/2013	Kimura	D24/232
D686,335	S *	7/2013	Feuerabend	D24/216
D699,609	S *	2/2014	Noda	D24/232
D729,083	S *	5/2015	Kobayashi	D24/216
D737,459	S *	8/2015	Kurihara	D24/232
D745,185	S *	12/2015	Kimura	D24/232
2009/0269841	A1 *	10/2009	Wojciechowski	C12M 23/28 435/325
2011/0003323	A1 *	1/2011	Bargh	C12M 23/42 435/29

(73) Assignee: **General Electric Company**,
Schenectady, NY (US)

(**) Term: **15 Years**

* cited by examiner

(21) Appl. No.: **29/554,308**

Primary Examiner — Anhdao Doan

(22) Filed: **Feb. 10, 2016**

(57) **CLAIM**

(30) **Foreign Application Priority Data**

The ornamental design for a bioreactor housing, as shown and described.

Aug. 25, 2015 (IN) 274871

(51) **LOC (10) Cl.** **24-01**

(52) **U.S. Cl.**
USPC **D24/232**

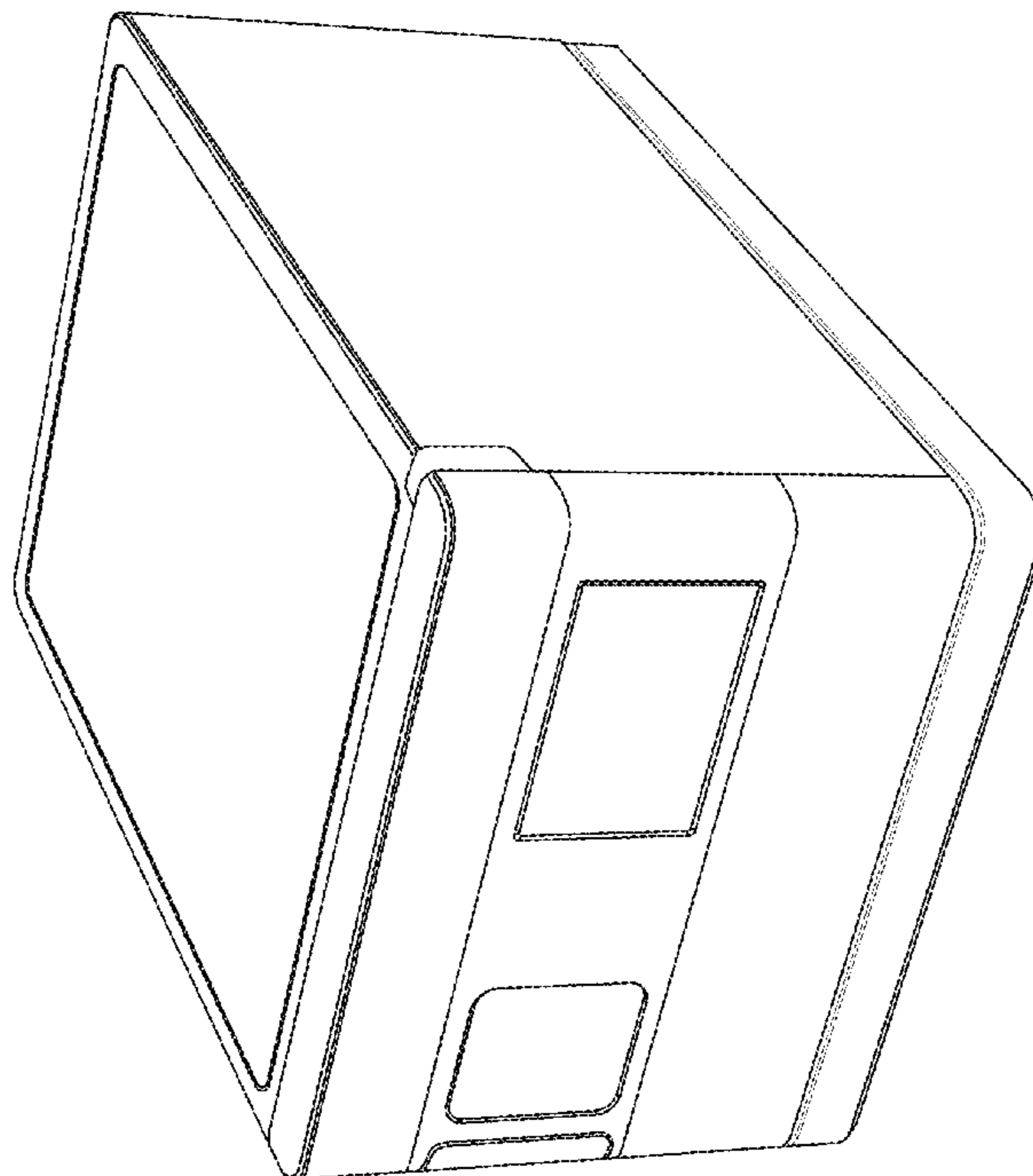
(58) **Field of Classification Search**
USPC D24/216-219, 231, 232, 233, 107, 169,
D24/186; D10/81
CPC G01N 2035/00306; G01N 2035/00326;
G01N 2035/00336; G01N 30/027; C12M
21/06; C12M 21/10; C12M 29/26; C12M
29/10; C12M 41/12; C12M 41/48; C12Q
1/6844; B01L 7/52

DESCRIPTION

FIG. 1 is a perspective view of the bioreactor housing showing the top front and right of new design;
FIG. 2 is a further perspective view of the bioreactor housing showing the top, front and left of the new design;
FIG. 3 is a view of the right of the new design;
FIG. 4 is a view of the left of the new design;
FIG. 5 is a view of the front of the new design;
FIG. 6 is a view of the rear of the new design;
FIG. 7 is a view the underside of the new design; and,
FIG. 8 is a view the top of the new design.

See application file for complete search history.

1 Claim, 8 Drawing Sheets



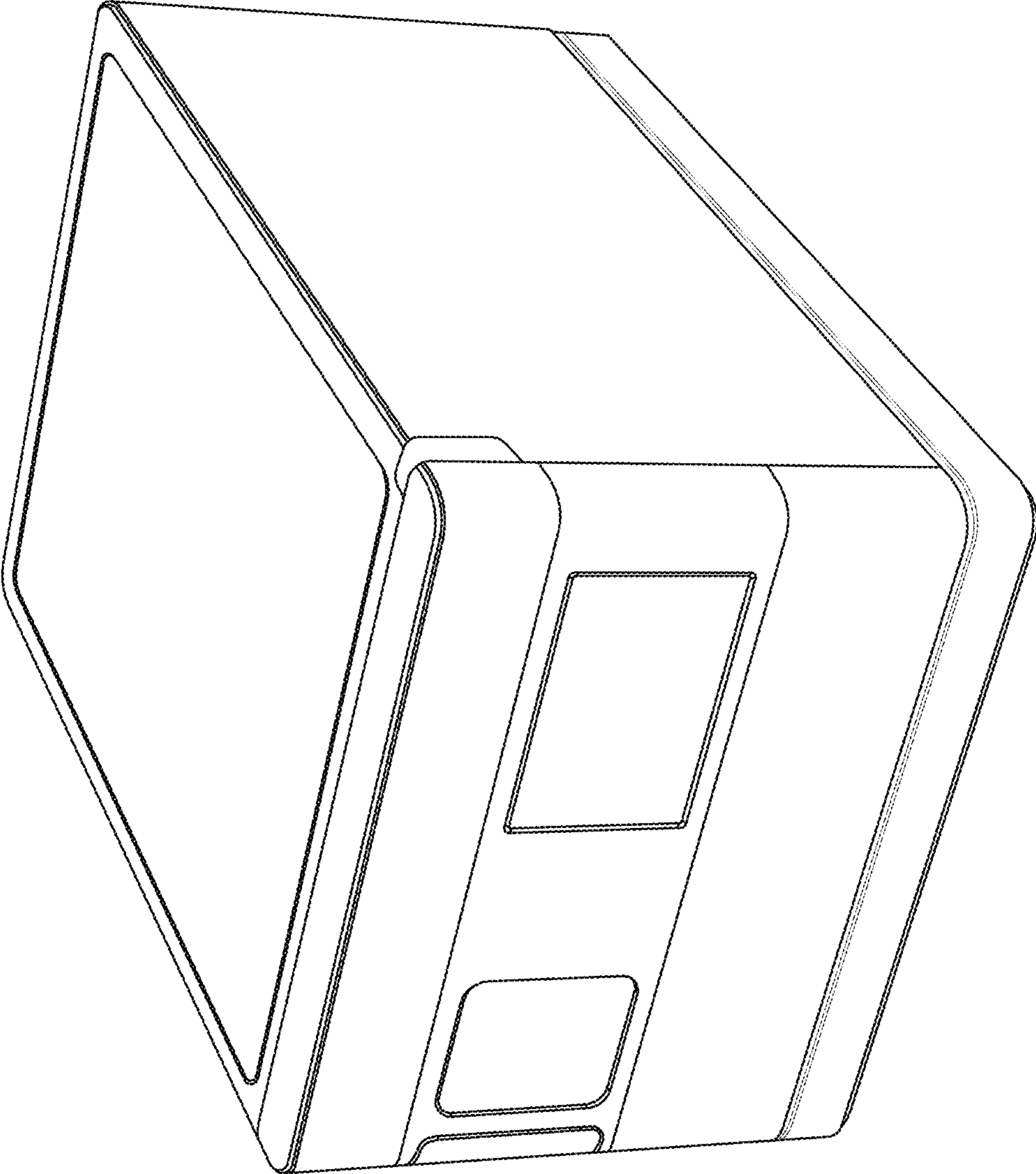


FIG. 1

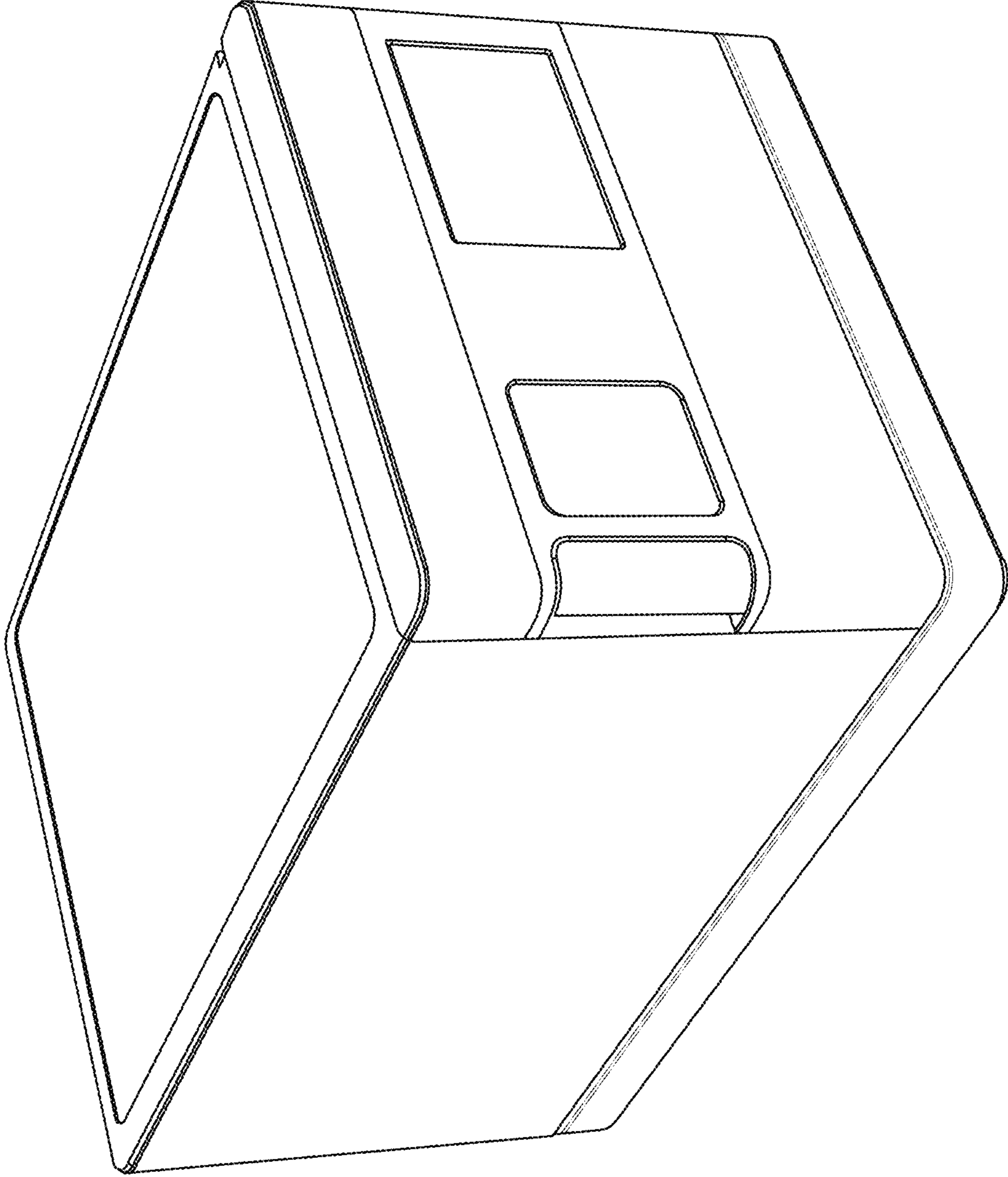


FIG. 2

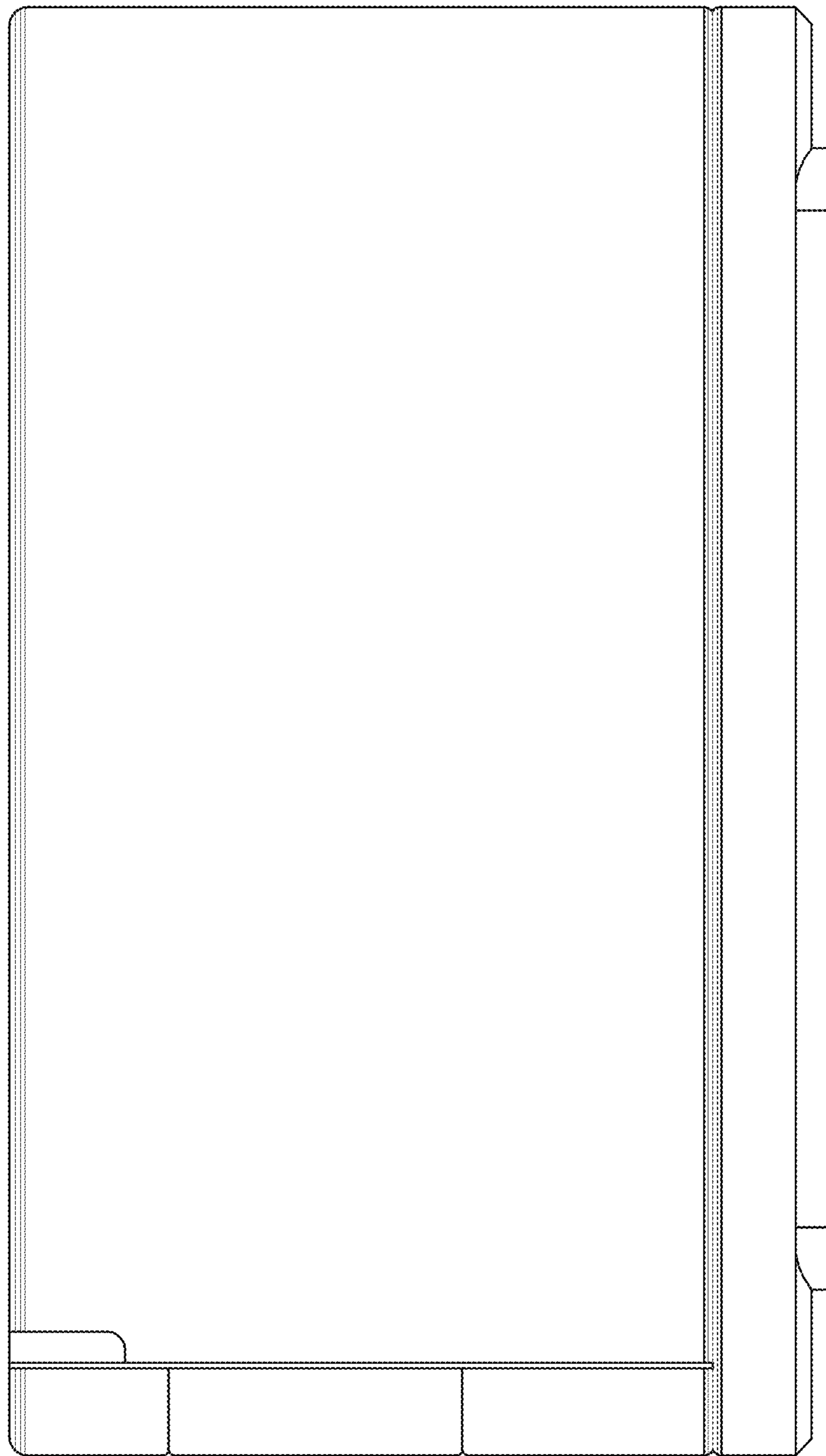


FIG. 3

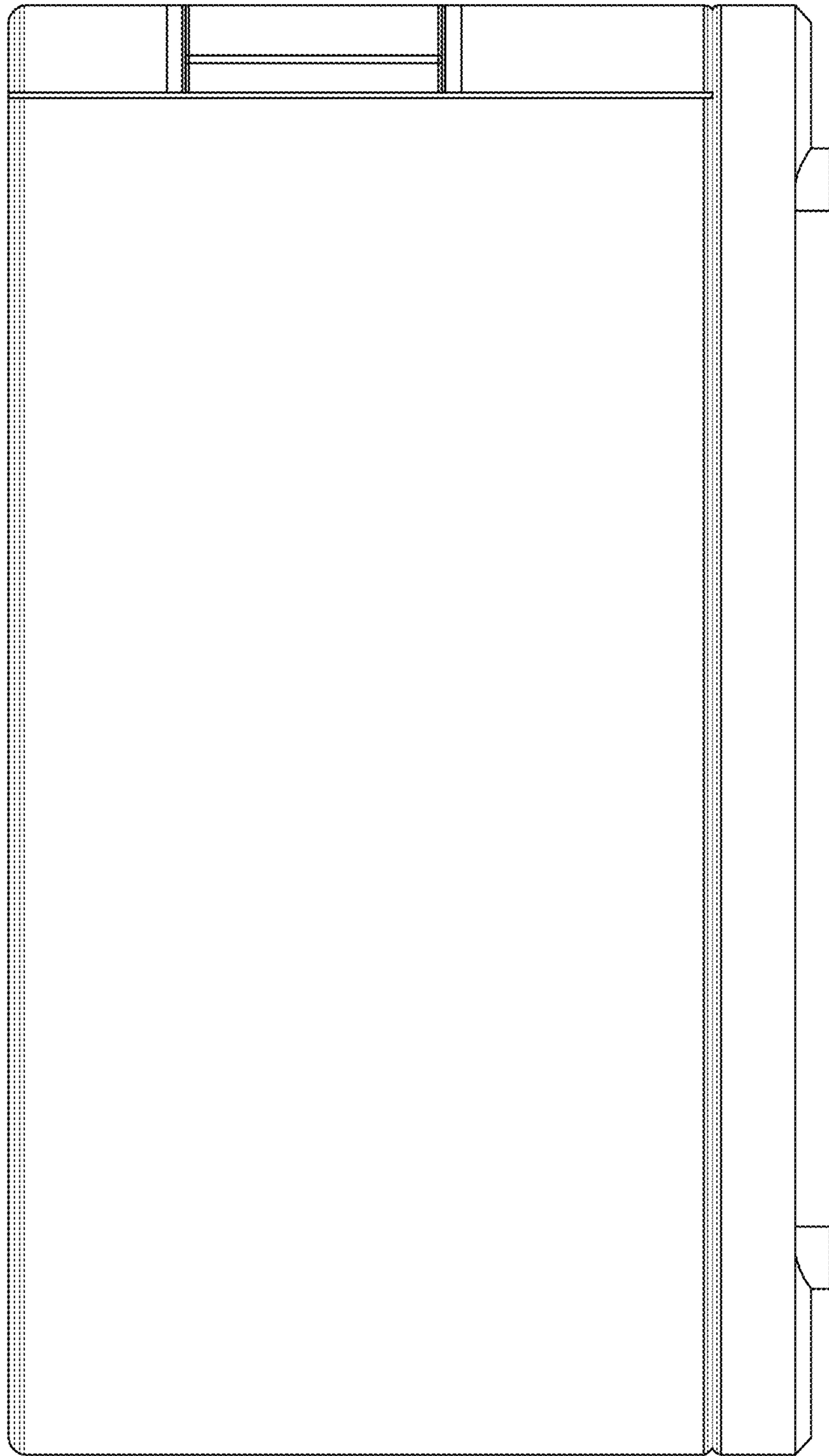


FIG. 4

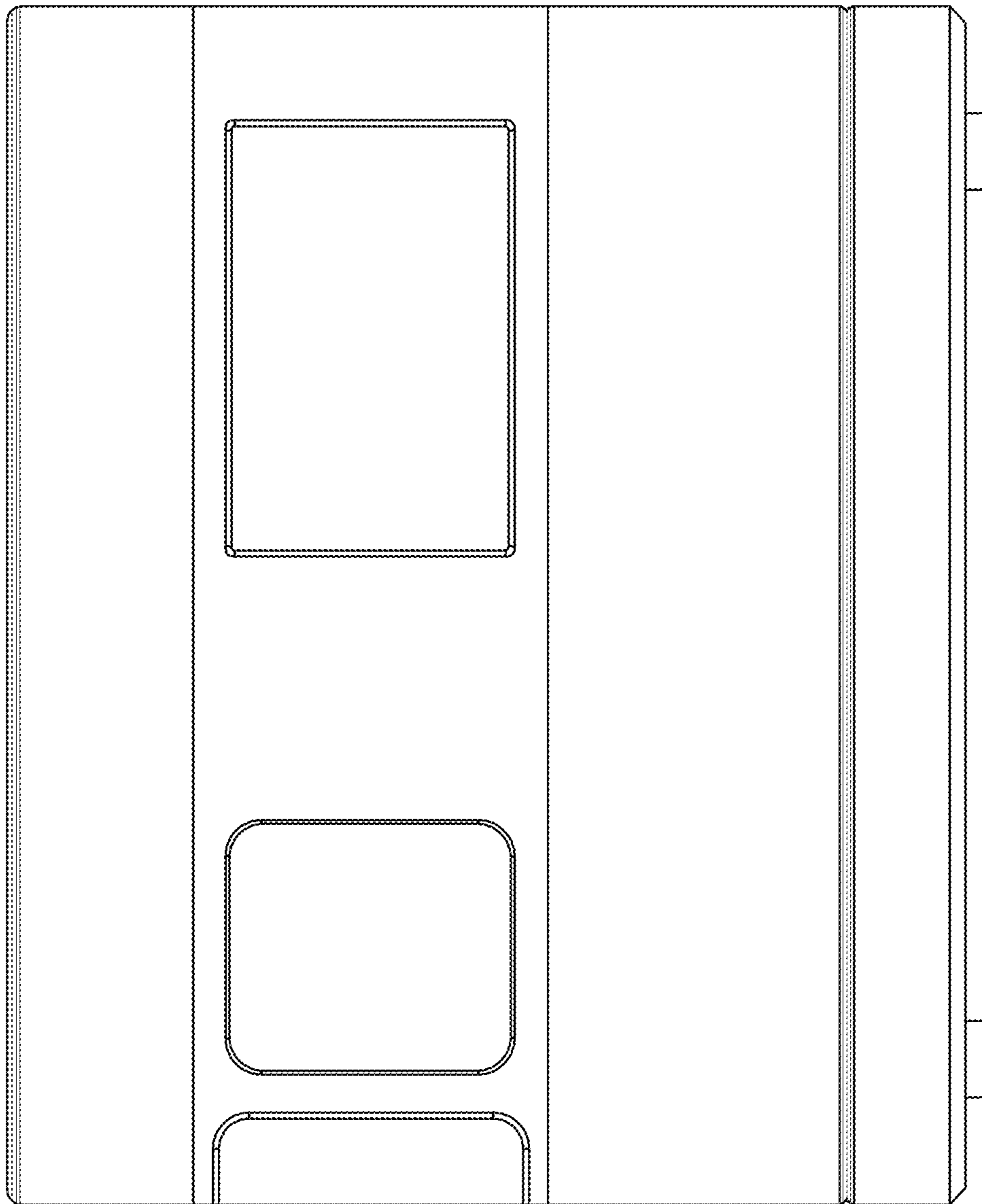


FIG. 5

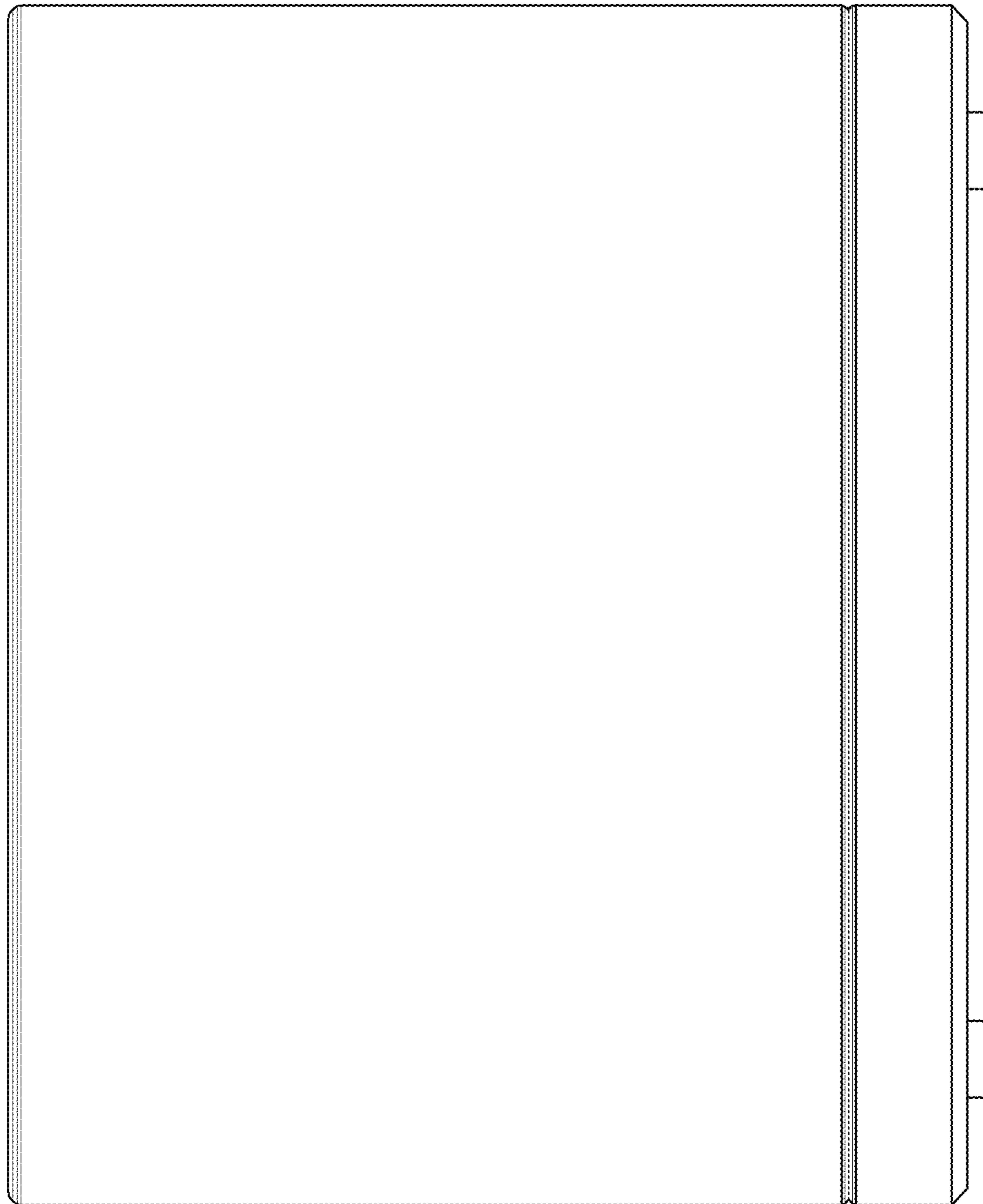


FIG. 6



FIG. 7

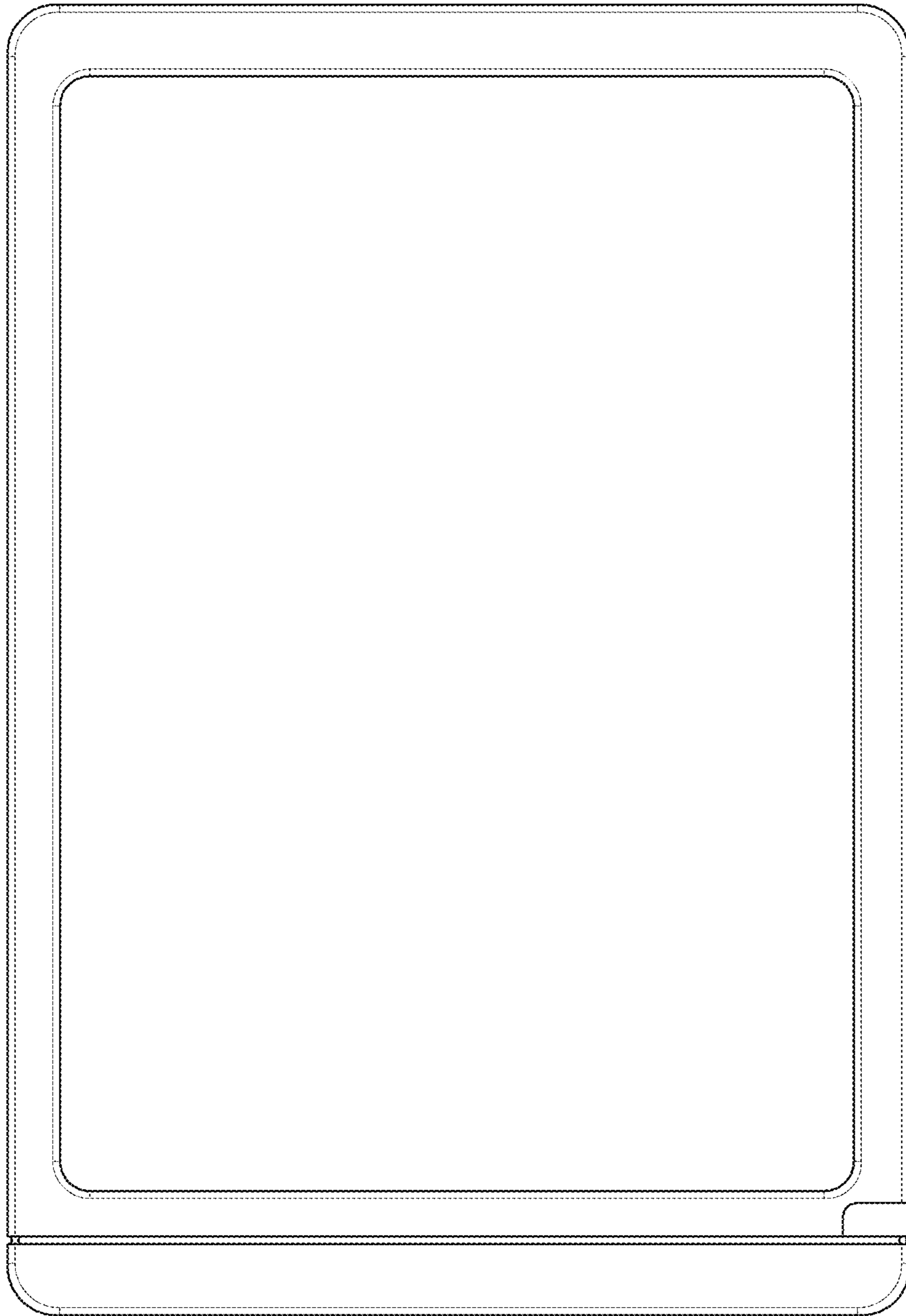


FIG. 8