



US00D776824S

(12) **United States Design Patent** (10) **Patent No.:** **US D776,824 S**  
**Black** (45) **Date of Patent:** **\*\* Jan. 17, 2017**

(54) **FASCIA TISSUE FITNESS DEVICE**

(71) Applicant: **Ashley Diana Black International Holdings, LLC**, Pearland, TX (US)

(72) Inventor: **Ashley D. Black**, Pearland, TX (US)

(73) Assignee: **Ashley Diana Black International Holdings, LLC**, Pearland, TX (US)

(\*\*) Term: **15 Years**

(21) Appl. No.: **29/568,018**

(22) Filed: **Jun. 14, 2016**

(51) **LOC (10) Cl.** ..... **28-03**

(52) **U.S. Cl.**  
USPC ..... **D24/214; D21/662**

(58) **Field of Classification Search**  
USPC . D24/200, 211, 212, 213, 214, 215; 601/19, 601/27-32, 46, 48, 52, DIG. 12, DIG. 14, 601/DIG. 15, DIG. 16, DIG. 17, 38, 112, 601/118-121, 125; D30/160; D21/662  
CPC ..... A61H 19/30; A61H 19/32; A61H 19/34; A61H 19/40; A61H 19/44; A61H 19/50; A61H 19/00; A61H 2201/0153; A61H 2201/1253; A61H 2205/082; A61H 2205/085; A61H 2205/022-2205/025; A61H 15/0085; A61H 15/0092; A61H 15/00; A61H 13/00  
See application file for complete search history.

(56) **References Cited**

**U.S. PATENT DOCUMENTS**

- D21,551 S \* 5/1892 Young ..... D24/135
- 912,016 A 2/1909 Miller
- 965,564 A 7/1910 Coates
- D234,724 S \* 4/1975 Tavel ..... D24/214
- 5,044,356 A \* 9/1991 Fishman ..... A61C 19/063  
433/80
- D346,866 S \* 5/1994 Lotuaco ..... D24/200
- D350,608 S 9/1994 Yu
- D351,658 S \* 10/1994 Beckman ..... D24/133

- D359,358 S 6/1995 Pecora et al.
- D373,197 S 8/1996 Schepper
- D374,084 S \* 9/1996 Chen ..... D24/211
- 5,588,953 A \* 12/1996 Chang ..... A61H 15/0092  
601/120
- D390,966 S \* 2/1998 Huang ..... D24/211
- 5,728,050 A 3/1998 Lin
- D398,401 S 9/1998 Antoskow
- D403,429 S \* 12/1998 Blanchard ..... D24/211
- D404,495 S 1/1999 Chien

(Continued)

**OTHER PUBLICATIONS**

International Search Report of PCT/US2014/018043, mailed Jun. 5, 2014, 4 pps.

*Primary Examiner* — Sandra Snapp

(74) *Attorney, Agent, or Firm* — Dentons US LLP

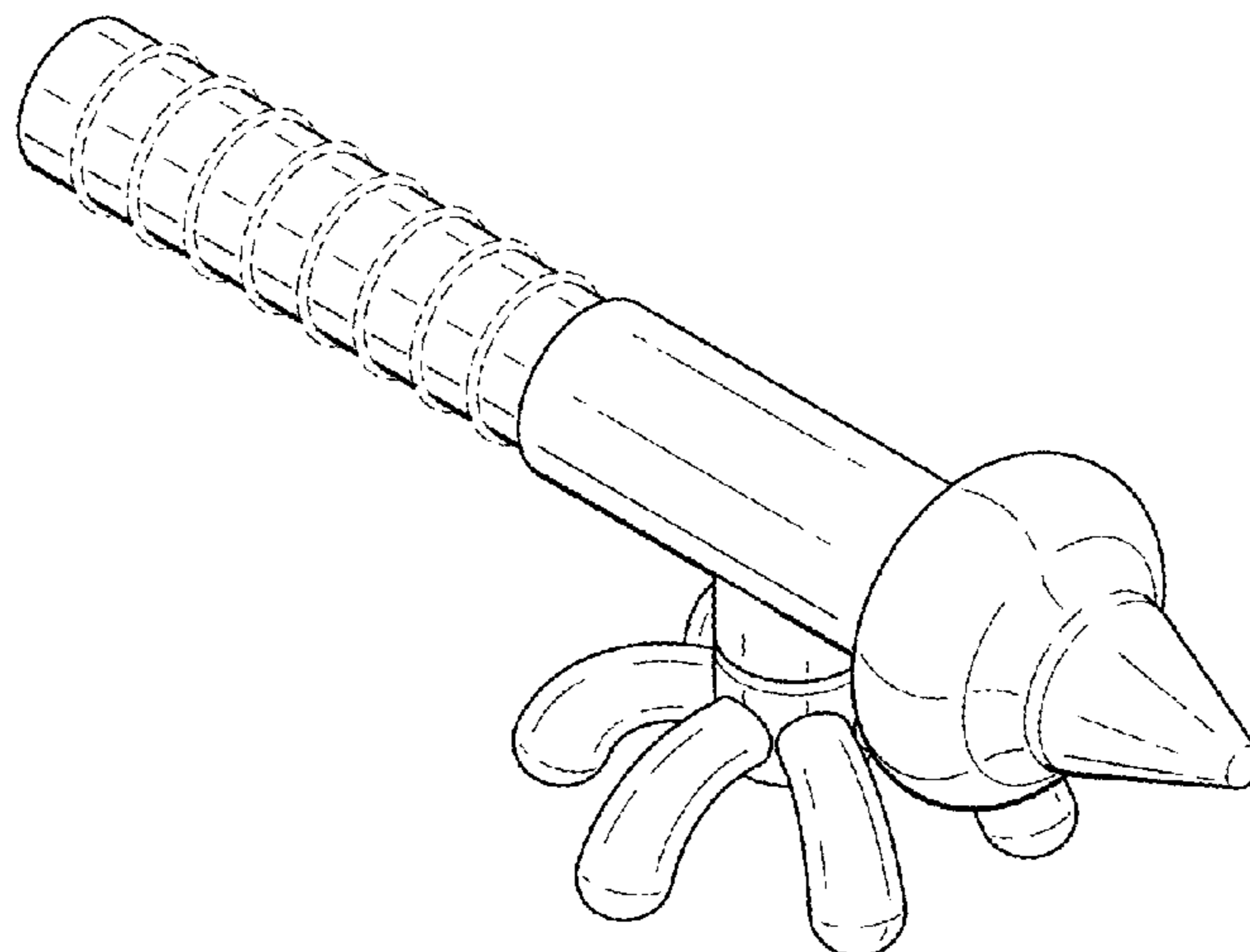
(57) **CLAIM**

The ornamental design for a fascia tissue fitness device, as shown and described.

**DESCRIPTION**

FIG. 1 is an illustration of a top perspective view of the fascia tissue fitness device;  
 FIG. 2 is an illustration of a right-end view of the fascia tissue fitness device;  
 FIG. 3 is an illustration of a left-end view of the fascia tissue fitness device;  
 FIG. 4 is an illustration of a right-side view of the fascia tissue fitness device;  
 FIG. 5 is an illustration of a left-side view of the fascia tissue fitness device;  
 FIG. 6 is an illustration of a top view of the fascia tissue fitness device;  
 FIG. 7 is an illustration of a bottom view of the fascia tissue fitness device; and,  
 FIG. 8 is an illustration of a bottom perspective view of the fascia tissue fitness device.

**1 Claim, 4 Drawing Sheets**



(56)

References Cited

U.S. PATENT DOCUMENTS

D408,925 S 4/1999 Berry et al.  
 D422,084 S \* 3/2000 Mickelson ..... D24/211  
 D427,318 S 6/2000 Chen  
 D443,067 S \* 5/2001 Chen ..... D24/211  
 6,241,693 B1 6/2001 Lambden  
 6,267,738 B1 7/2001 Louis  
 D454,959 S \* 3/2002 Harris ..... D24/214  
 D466,612 S \* 12/2002 Harris ..... D24/215  
 D468,084 S 1/2003 Lin  
 D473,657 S \* 4/2003 Lewis-Jonsson ..... D24/211  
 D477,414 S \* 7/2003 Chen ..... D24/211  
 D479,607 S \* 9/2003 Chen ..... D24/211  
 D486,236 S \* 2/2004 Nan ..... D21/601  
 6,758,826 B2 7/2004 Luetgen et al.  
 6,974,427 B1 12/2005 Lapham  
 D515,219 S \* 2/2006 Nan ..... D24/105  
 D515,702 S \* 2/2006 Nan ..... D24/105  
 D556,913 S \* 12/2007 Laituri ..... D24/214

D600,357 S \* 9/2009 Chaput ..... D24/214  
 D627,897 S \* 11/2010 Yde ..... D24/214  
 D630,761 S \* 1/2011 Marshall ..... D24/215  
 D633,217 S \* 2/2011 Robertson ..... D24/215  
 8,337,438 B2 12/2012 Schupman  
 D673,687 S \* 1/2013 Zeng ..... D24/215  
 8,419,663 B2 4/2013 Eitzen  
 D703,825 S \* 4/2014 Barrett ..... D24/200  
 D704,852 S 5/2014 Yang  
 D723,709 S \* 3/2015 Topolovac ..... D24/215  
 D735,818 S \* 8/2015 Black ..... D21/662  
 D750,841 S \* 3/2016 Lewis ..... D24/211  
 2005/0096572 A1 5/2005 Hua  
 2007/0173750 A1 7/2007 Hudock  
 2010/0160841 A1 6/2010 Wu  
 2010/0191161 A1 7/2010 Mouatt  
 2011/0087140 A1 4/2011 Lee  
 2011/0154690 A1 6/2011 Walsh  
 2012/0121313 A1 5/2012 Thiebaut  
 2014/0243718 A1 \* 8/2014 Black ..... A61H 7/001  
 601/120

\* cited by examiner

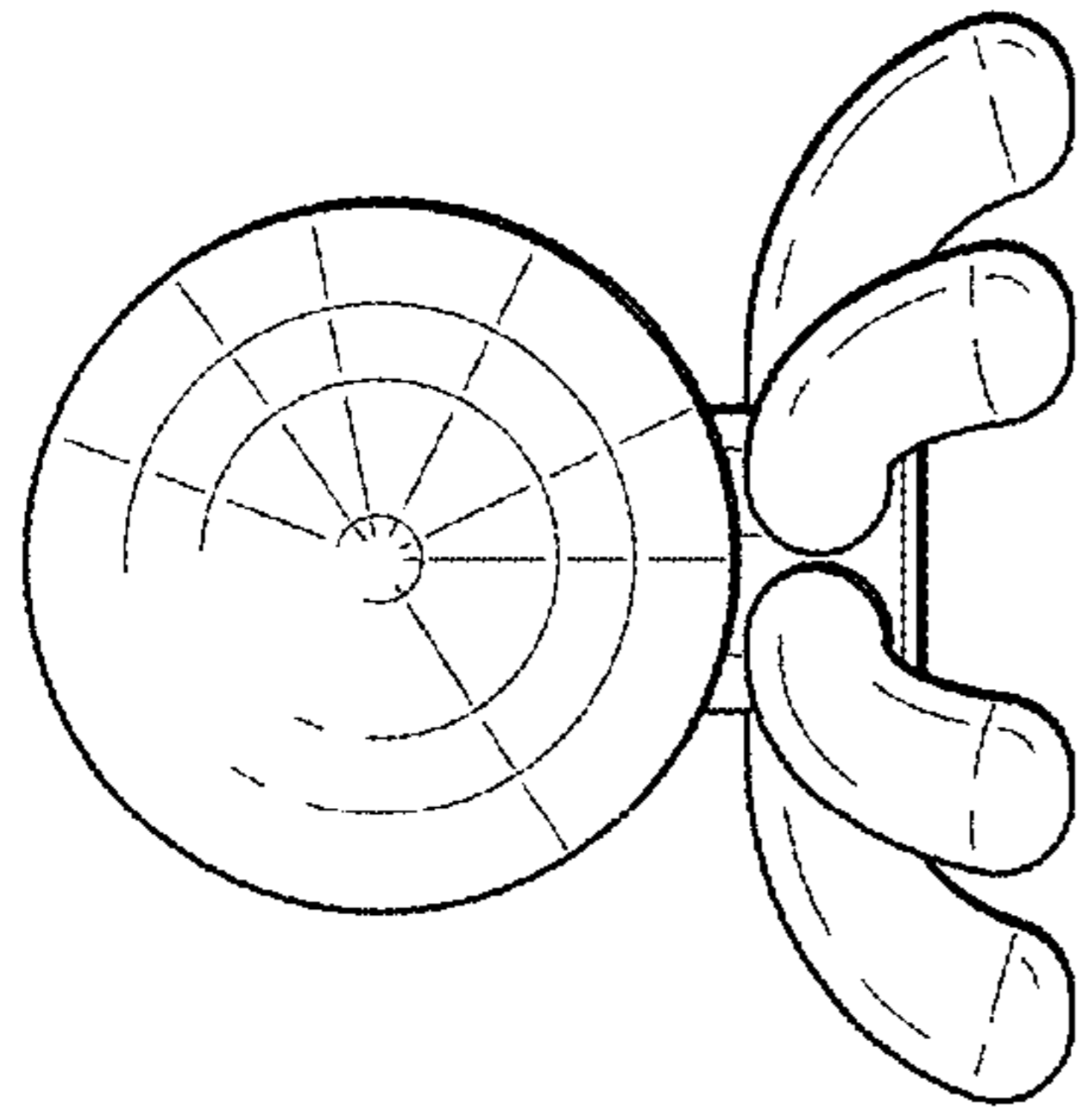


FIG. 2

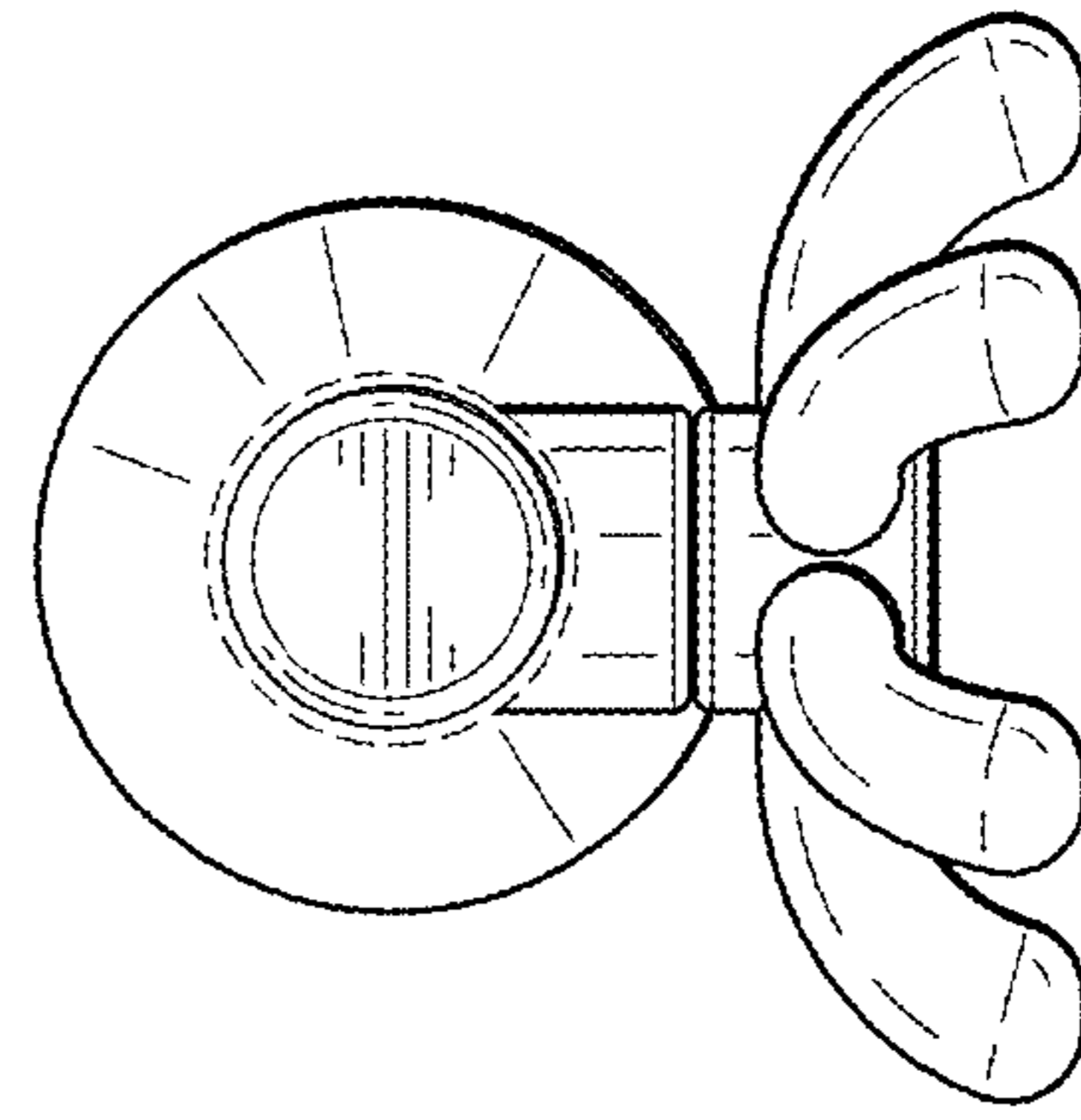


FIG. 3

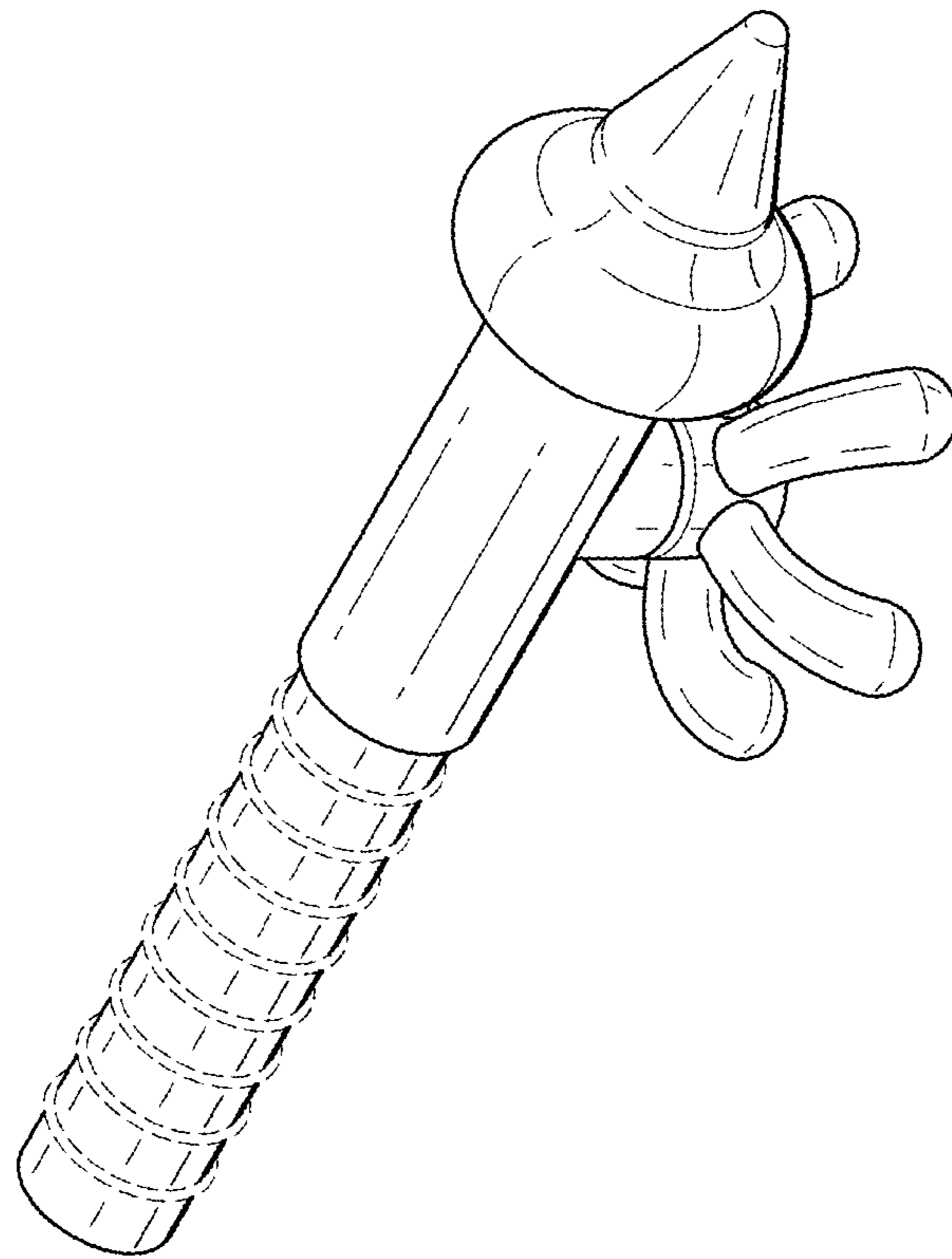


FIG. 1

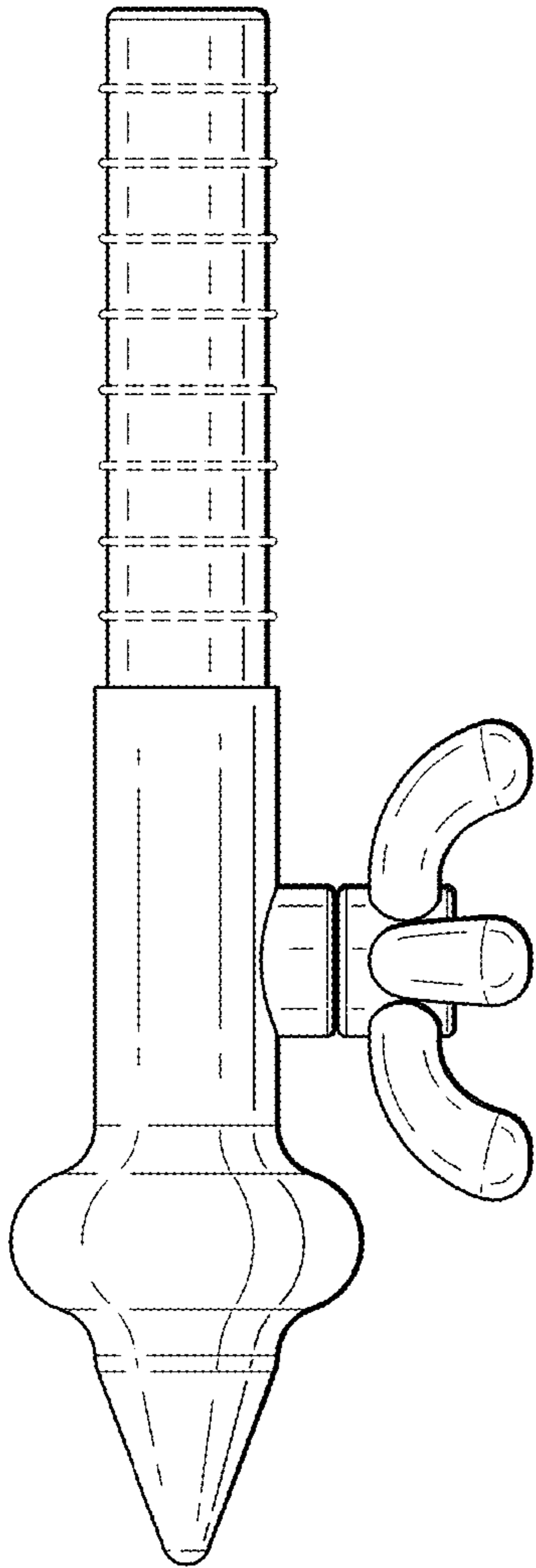


FIG. 4

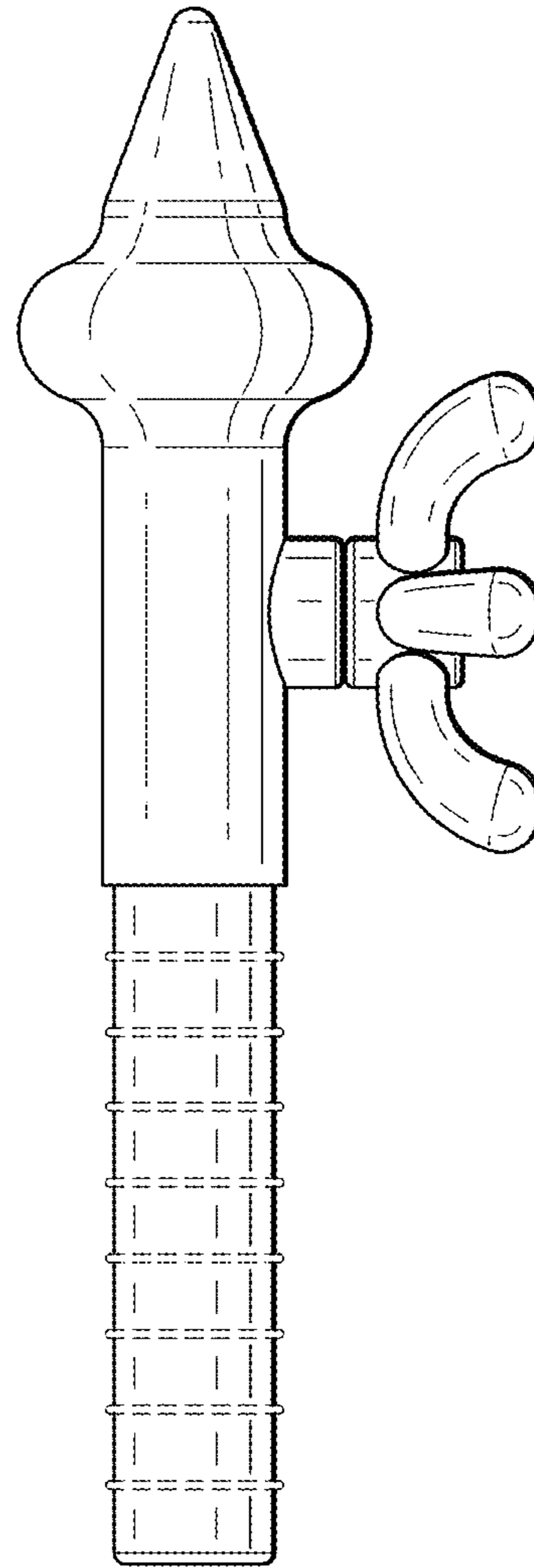


FIG. 5

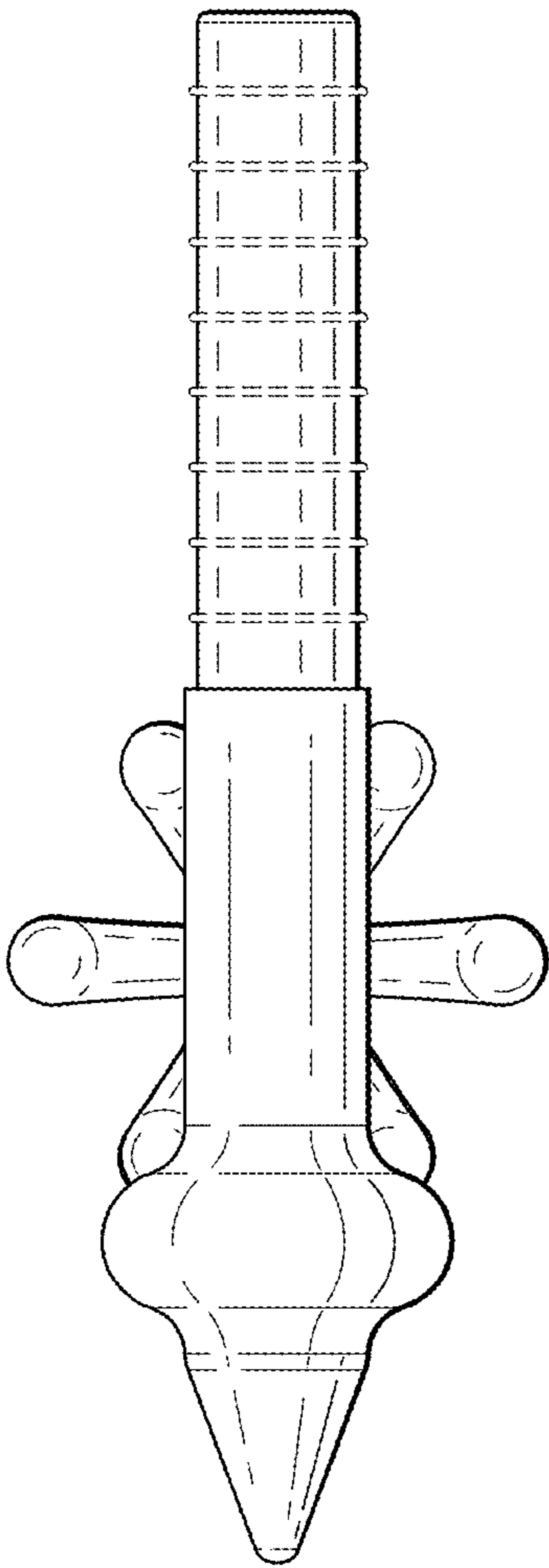


FIG. 6

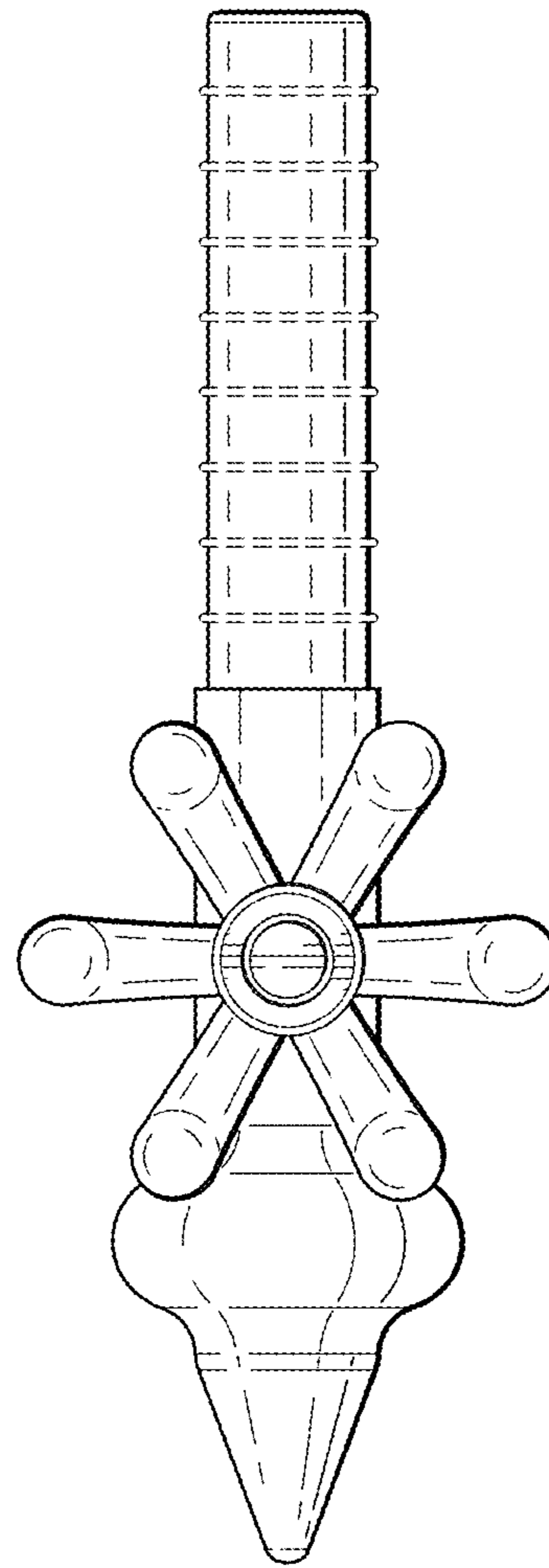


FIG. 7

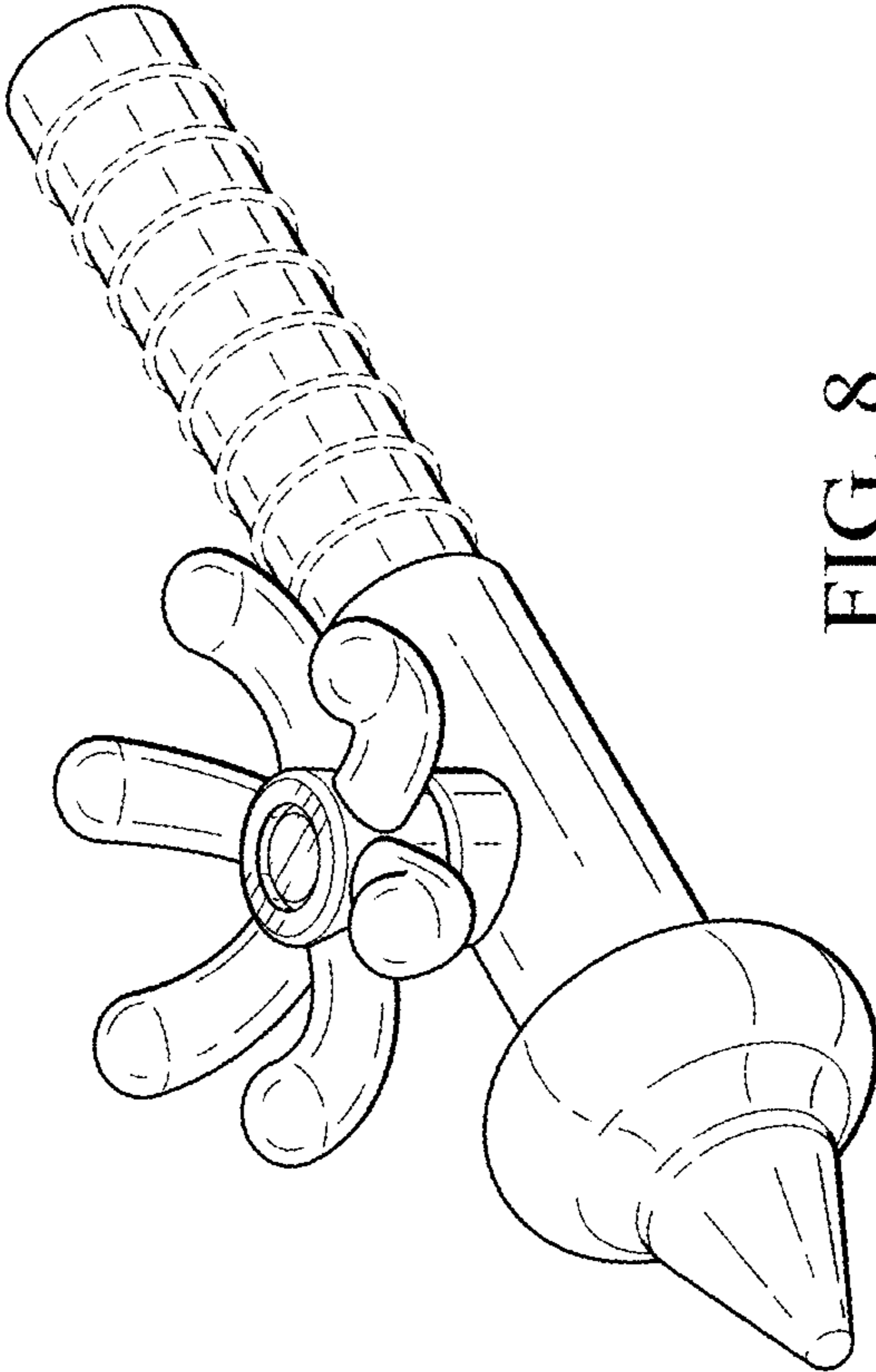


FIG. 8

UNITED STATES PATENT AND TRADEMARK OFFICE  
**CERTIFICATE OF CORRECTION**

PATENT NO. : D776,824 S  
APPLICATION NO. : 29/568018  
DATED : January 17, 2017  
INVENTOR(S) : Ashley D. Black

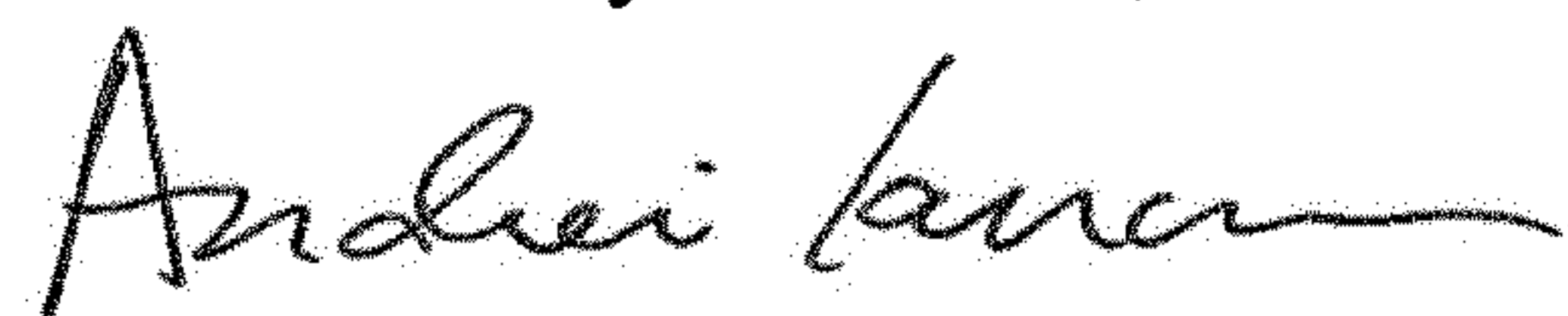
Page 1 of 1

It is certified that error appears in the above-identified patent and that said Letters Patent is hereby corrected as shown below:

On the Title Page

Item (54) "FASCIA TISSUE FITNESS DEVICE" should be replaced with "FASCIA TISSUE FITNESS DEVICE WITH ONE TREATMENT ELEMENT"

Signed and Sealed this  
Third Day of March, 2020



Andrei Iancu  
*Director of the United States Patent and Trademark Office*