



US00D776821S

(12) **United States Design Patent**  
**Chou et al.**

(10) **Patent No.:** **US D776,821 S**  
(45) **Date of Patent:** **\*\* Jan. 17, 2017**

- (54) **VITAL SIGN TRANSMITTER**
- (71) Applicant: **Quanta Computer Inc.**, Taoyuan (TW)
- (72) Inventors: **Ya-Chyi Chou**, Taoyuan (TW); **Kao-Yu Hsu**, New Taipei (TW)
- (73) Assignee: **Quanta Computer Inc.**, Taoyuan (TW)
- (\*\*) Term: **15 Years**
- (21) Appl. No.: **29/553,166**
- (22) Filed: **Jan. 28, 2016**

D595,415 S \* 6/2009 Fukuzawa ..... D24/186  
 D609,197 S \* 2/2010 Koskela ..... D13/168  
 D697,141 S \* 1/2014 Sugino ..... D14/345  
 (Continued)

**FOREIGN PATENT DOCUMENTS**

CN 303143187 \* 10/2014  
 CN 303683937 \* 12/2015

**OTHER PUBLICATIONS**

Quanta Transmitter, Quanta Computer Inc Smart Wearable ECG Monitoring Device, posted at fccid.io, posted on May 4, 2016, site visited Oct. 13, 2016, <<https://fccid.io/document.php?id=2978817>>.\*

(Continued)

*Primary Examiner* — Barbara Fox  
*Assistant Examiner* — Messina L Smith  
 (74) *Attorney, Agent, or Firm* — Rabin & Berdo, P.C.

(30) **Foreign Application Priority Data**

Dec. 9, 2015 (TW) ..... 104306851

- (51) **LOC (10) Cl.** ..... **24-01**
- (52) **U.S. Cl.**  
USPC ..... **D24/186**

- (58) **Field of Classification Search**  
USPC ..... D24/185–187, 167–169, 165, 214–215,  
D24/129, 111, 100, 200, 106; D14/137,  
D14/155, 341, 344–345; D10/70, 98  
CPC .... G06F 3/044; G06F 3/04842; G06F 3/0482;  
G06F 3/0416; A61N 1/39; A61N 1/3968;  
A61N 1/046; A61N 1/0472; A61N  
1/0492; A61N 1/3925; A61N 1/3993  
See application file for complete search history.

(57) **CLAIM**

The ornamental design for a vital sign transmitter, as shown and described.

**DESCRIPTION**

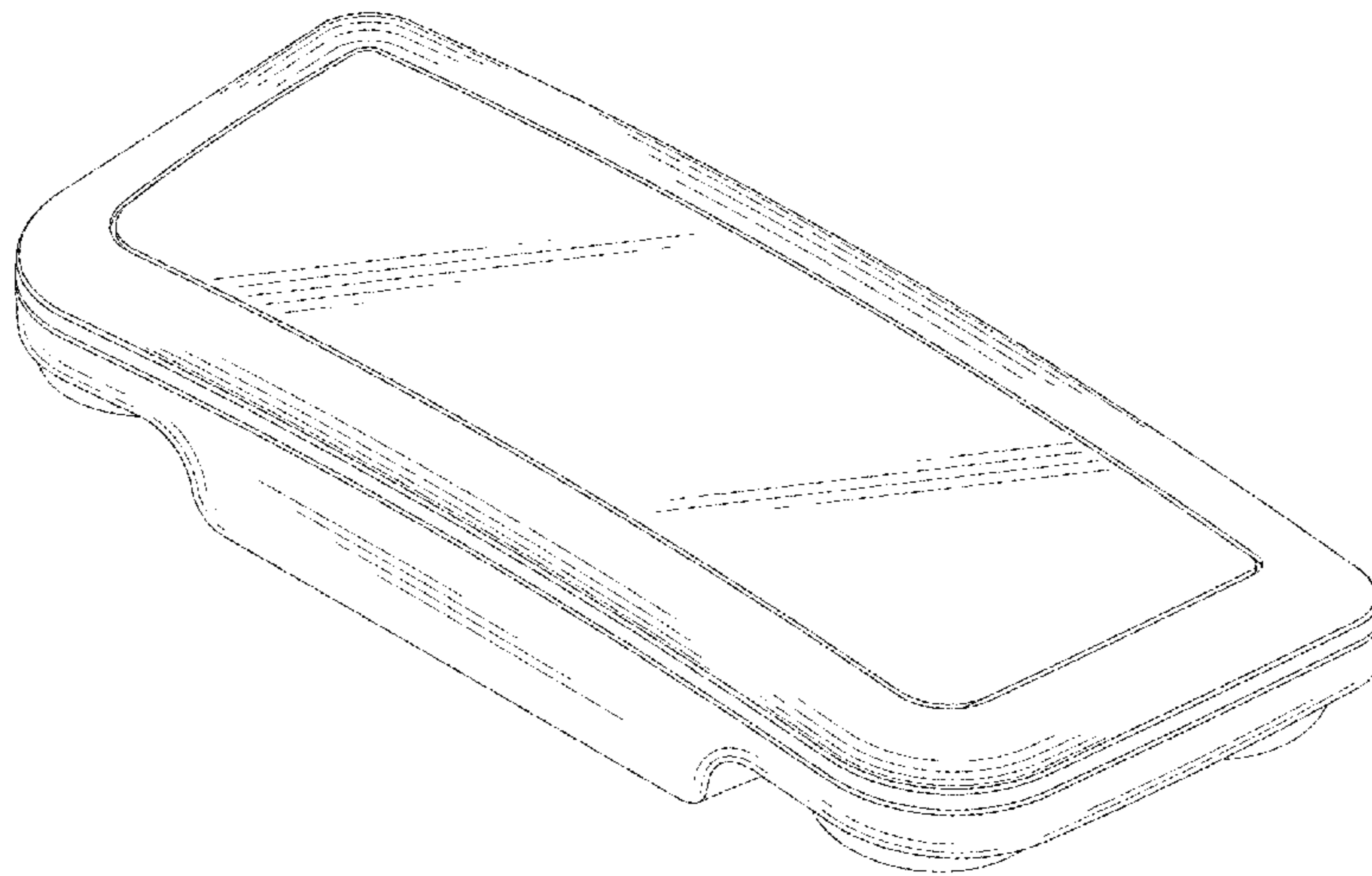
FIG. 1 is a perspective view of a vital sign transmitter showing our new design;  
 FIG. 2 is a front elevational view thereof;  
 FIG. 3 is a rear elevational view thereof;  
 FIG. 4 is a left side elevational view thereof;  
 FIG. 5 is a right side elevational view thereof;  
 FIG. 6 is a top plan view thereof;  
 FIG. 7 is a bottom plan view thereof; and,  
 FIG. 8 is a perspective view of the vital sign transmitter shown in use.  
 The broken lines shown in the drawings illustrate portions of the vital sign transmitter and the environment that form no part of the claimed design.

**1 Claim, 8 Drawing Sheets**

(56) **References Cited**

**U.S. PATENT DOCUMENTS**

D448,763 S \* 10/2001 Ikenaga ..... D14/345  
 D484,246 S \* 12/2003 Lee ..... D24/186  
 D492,999 S \* 7/2004 Lax ..... D24/167  
 D535,899 S \* 1/2007 Li ..... D10/65  
 D544,099 S \* 6/2007 Umeda ..... D24/167  
 D548,347 S \* 8/2007 Ichino ..... D24/186  
 D569,374 S \* 5/2008 Kataoka ..... D14/341  
 D573,143 S \* 7/2008 Park ..... D14/341  
 D582,043 S \* 12/2008 Koike ..... D24/165  
 D584,974 S \* 1/2009 Fukuda ..... D10/70



(56)

References Cited

U.S. PATENT DOCUMENTS

D700,342 S \* 2/2014 Hiramura ..... D24/169  
 D701,964 S \* 4/2014 Yoneta ..... D24/187  
 D720,634 S \* 1/2015 Dempsey ..... D10/65  
 D733,888 S \* 7/2015 Tuhkanen ..... D24/167  
 D744,109 S \* 11/2015 Yoneta ..... D24/186  
 D744,110 S \* 11/2015 Kubo ..... D24/186  
 D745,868 S \* 12/2015 Choi ..... D10/32  
 D748,273 S \* 1/2016 Chang ..... D24/186  
 D751,933 S \* 3/2016 Lenz ..... D10/65  
 D754,551 S \* 4/2016 Heikkila ..... D10/65  
 D755,974 S \* 5/2016 Chen ..... D24/165  
 2006/0279039 A1 \* 12/2006 Krieger ..... A63F 13/02  
 2011/0092282 A1 \* 4/2011 Gary ..... A63F 13/12  
 2013/0076591 A1 \* 3/2013 Sirpal ..... G06F 3/1438  
 345/1.3

OTHER PUBLICATIONS

Vital Sign Transmitter, Choicemmed Personal ECG Monitor MD100A1, posted at Medkioskinc.com, no posting date given, © 2016, site visited Oct. 13, 2016, <<http://www.medkioskinc.com/vital-signs-monitor/choicemmed-personal-ecg-monitor-md100a1>>.\*  
 Handheld Video Game, HD1080 Handheld Game Consoles with Video chat Skype Function Full touch Screen, posted at DIYtrade.com, posted on Sep. 3, 2014, site visited Oct. 13, 2016, <[http://www.diytrade.com/china/pd/12055602/HD1080\\_Handheld\\_Game\\_Consoles\\_with\\_Video\\_chat\\_Skype\\_Function\\_Full\\_touch\\_Screen.html](http://www.diytrade.com/china/pd/12055602/HD1080_Handheld_Game_Consoles_with_Video_chat_Skype_Function_Full_touch_Screen.html)>.\*  
 Rearview Mirror, Nissan develops smart rear view mirror that makes passengers, in-car objects disappear, posted at Techtimes.com, posted on Jun. 2, 2014, site visited on Oct. 13, 2016, <<http://www.techtimes.com/articles/7880/20140602/nissan-develops-smart-rear-view-mirror-that-makes-passengers-in-car-objects-disappear.htm>>.\*  
 \* cited by examiner

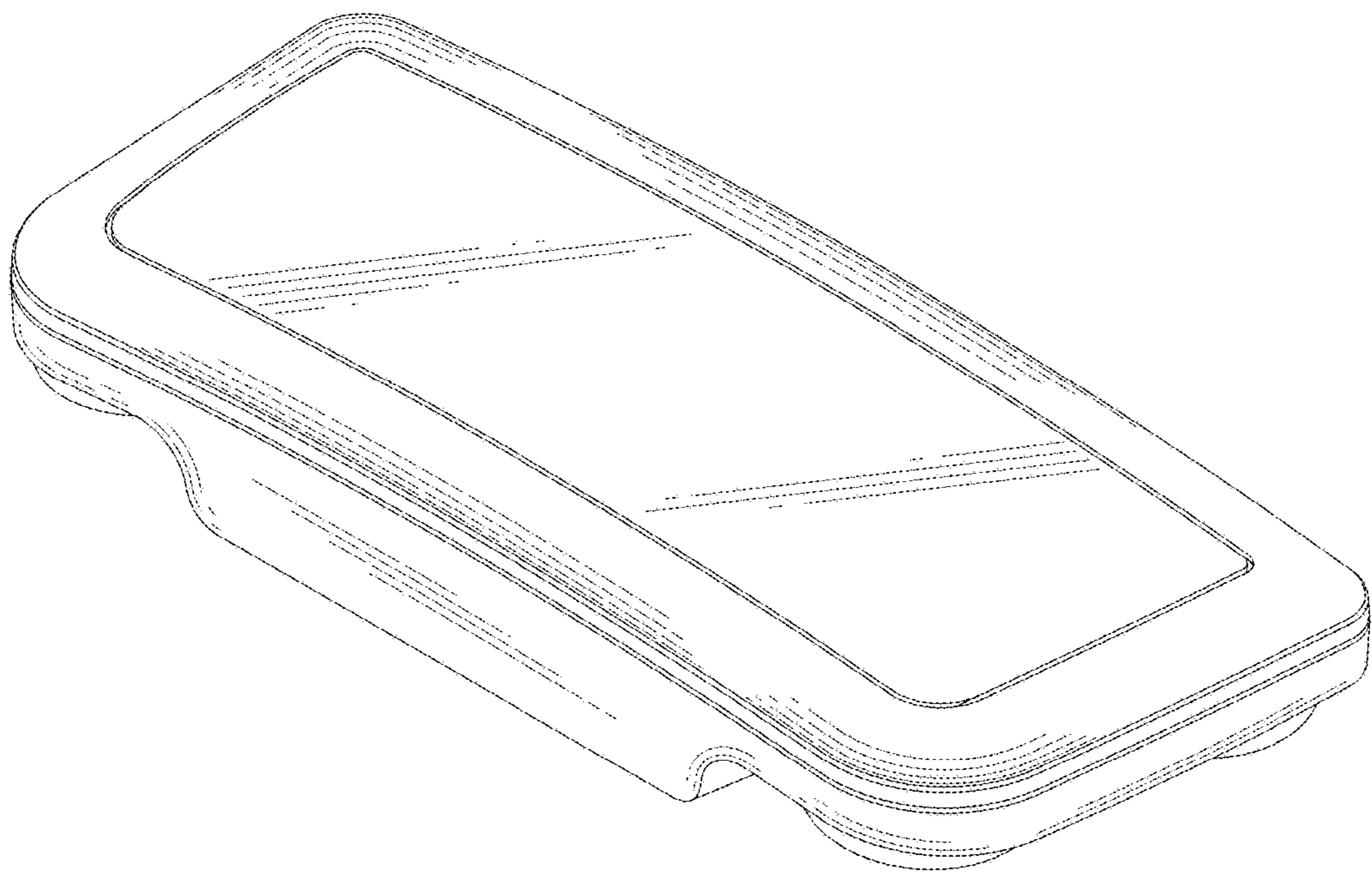


Fig. 1

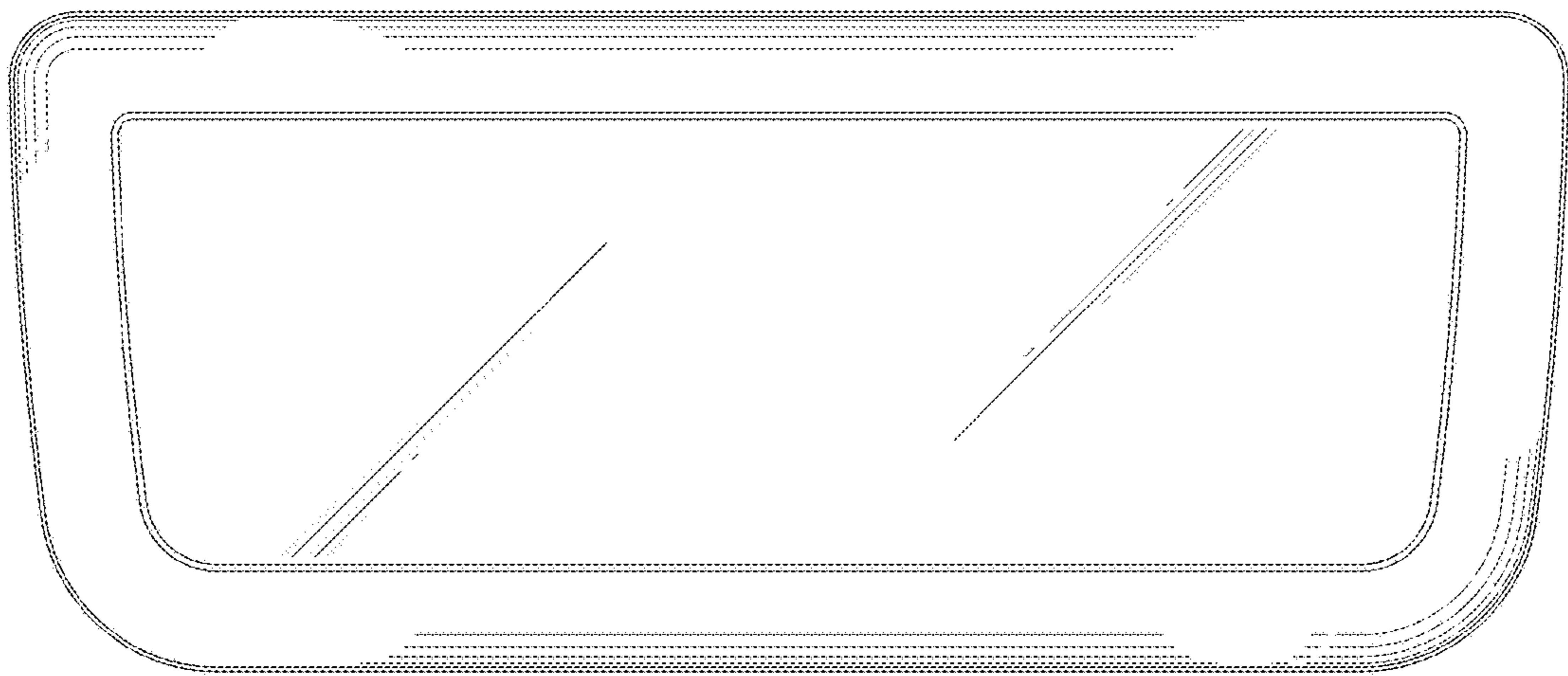


Fig. 2

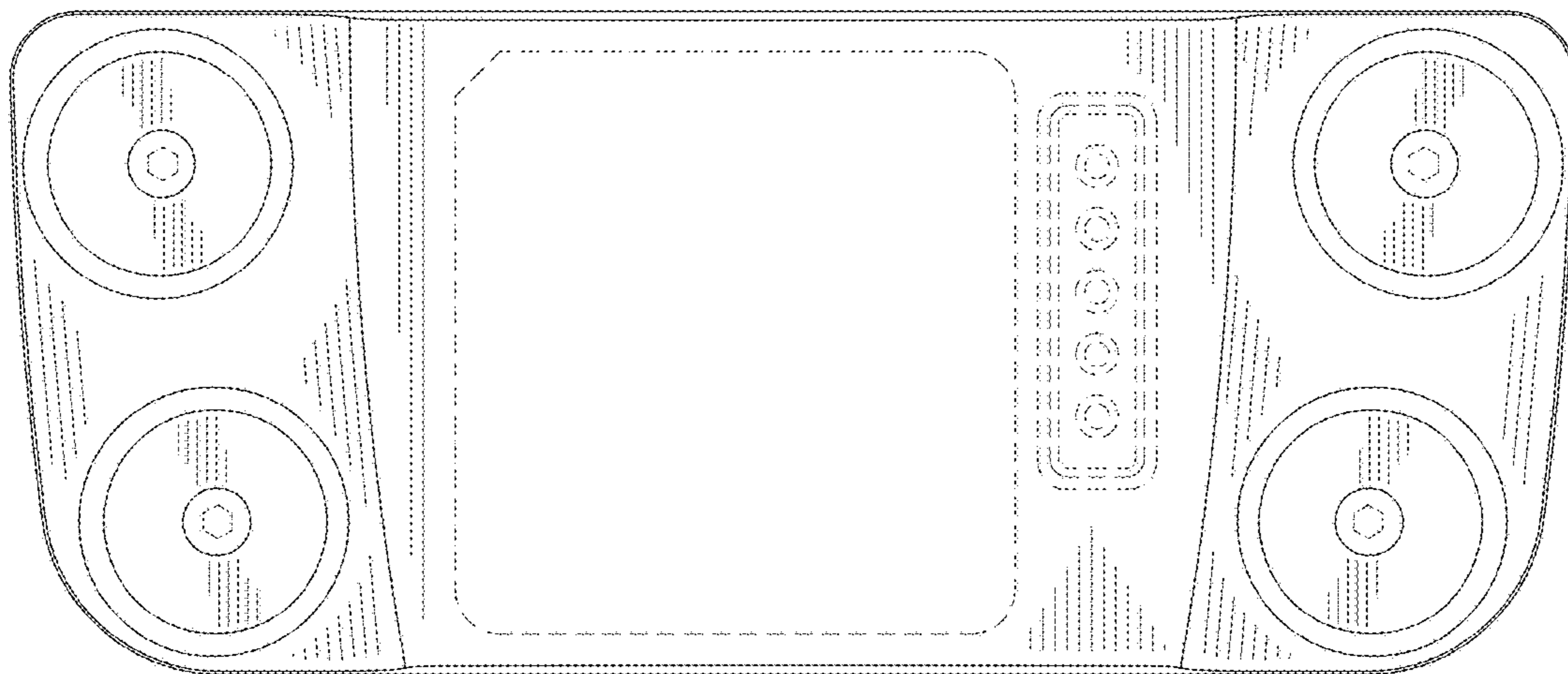


Fig. 3

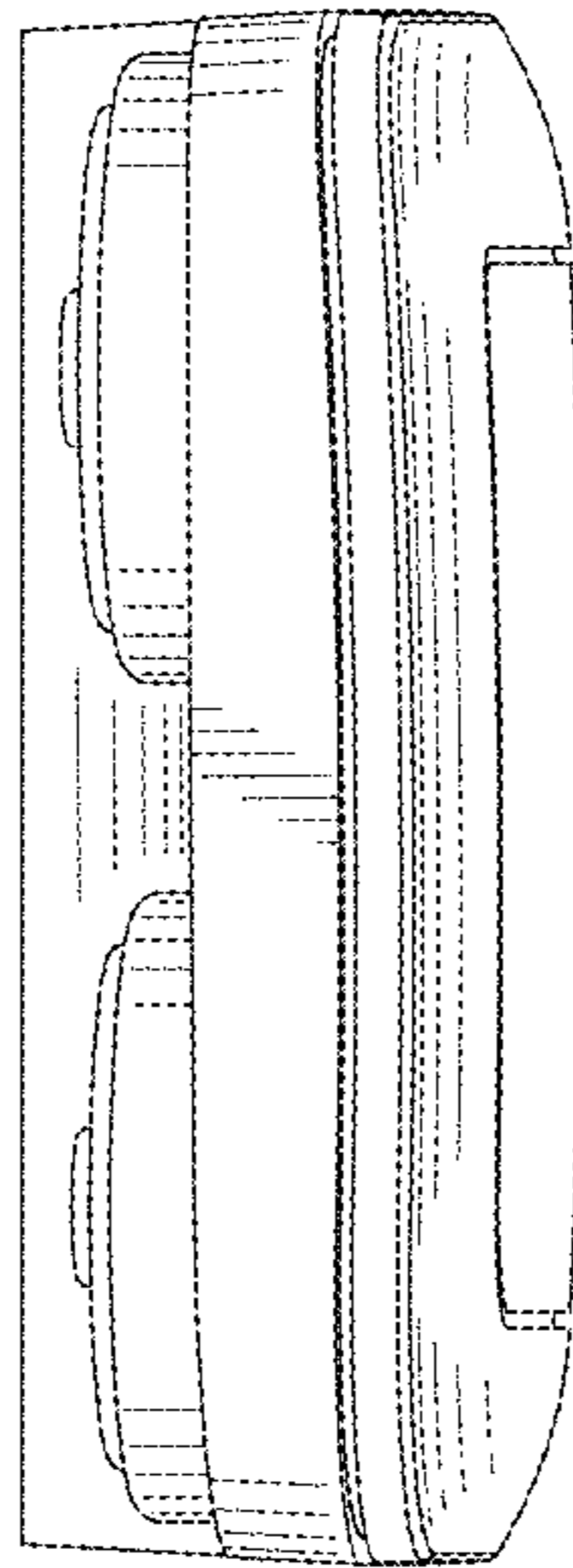


Fig. 4

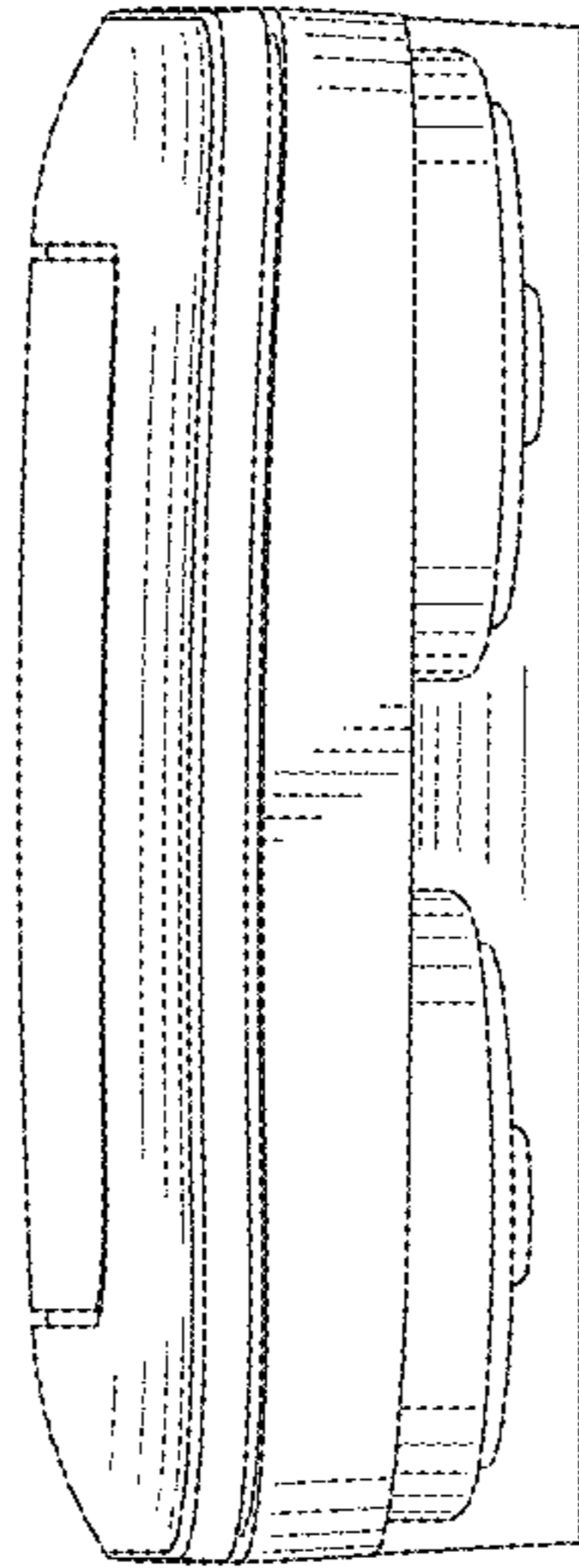


Fig. 5

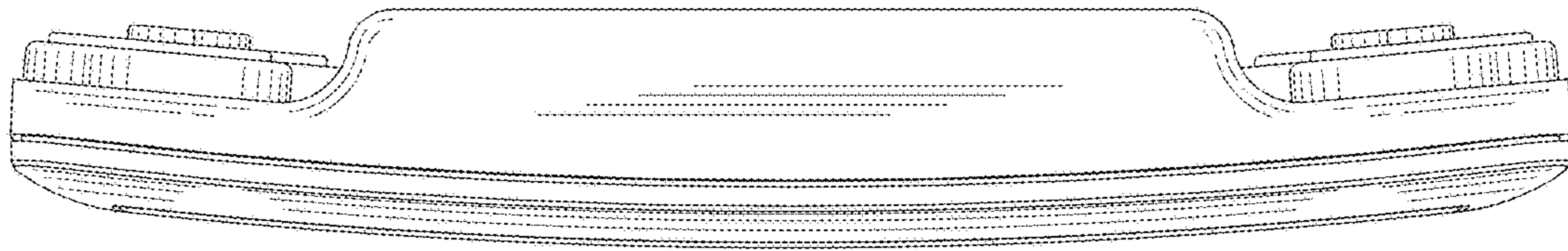


Fig. 6



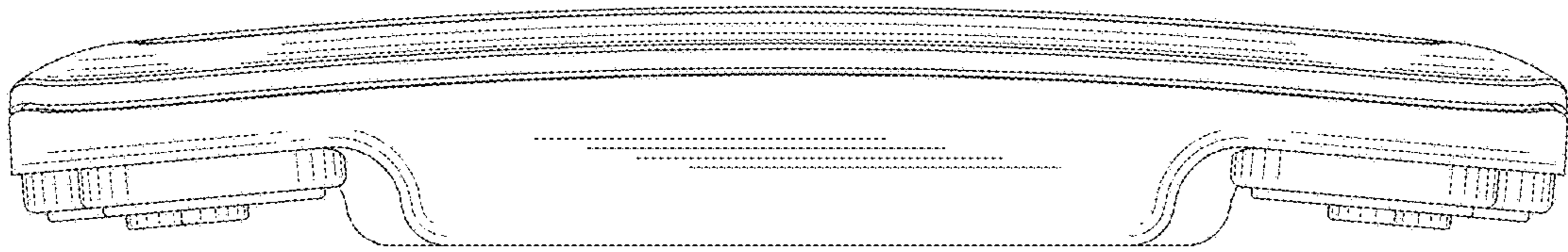


Fig. 7

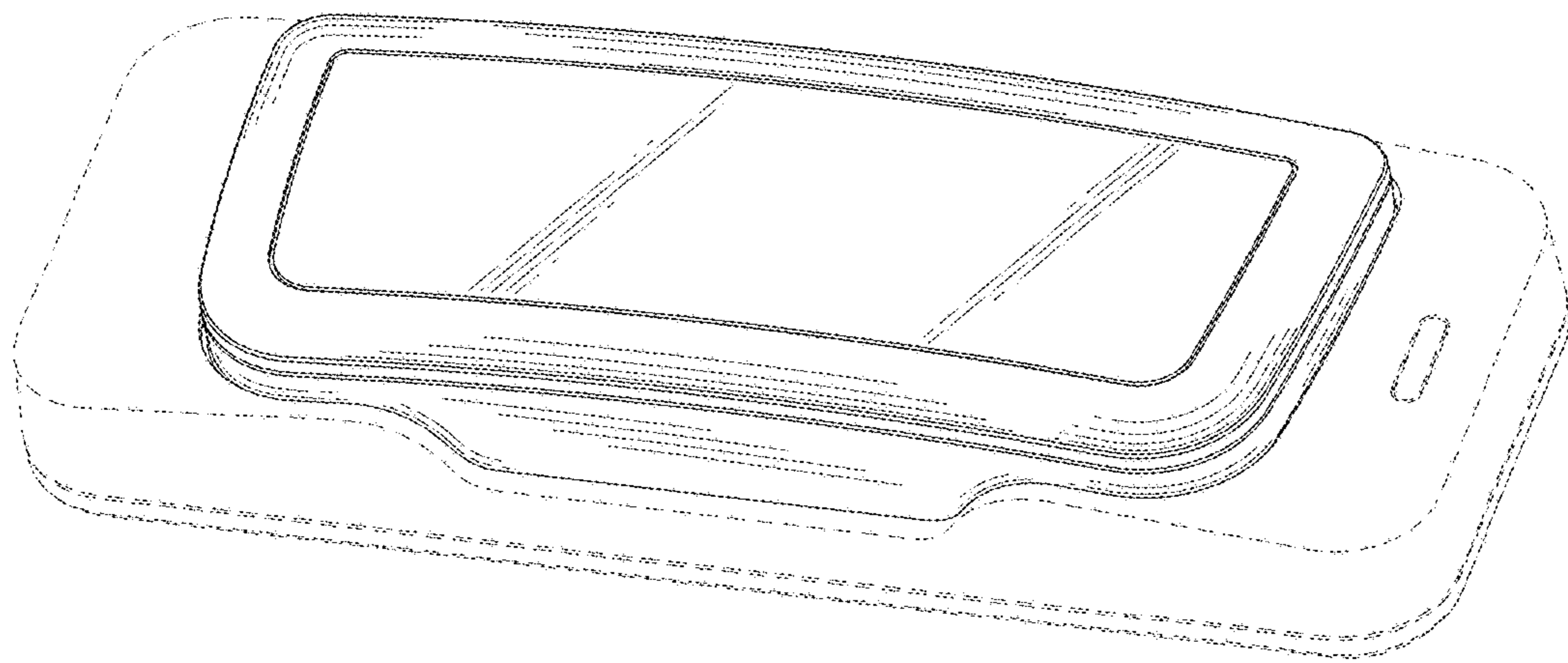


Fig. 8