



US00D776820S

(12) **United States Design Patent** (10) **Patent No.:** **US D776,820 S**
Rouillac et al. (45) **Date of Patent:** **** Jan. 17, 2017**

(54) **HEART RATE MONITOR**

(56) **References Cited**

(71) Applicant: **HTC Corporation**, Taoyuan (TW)

U.S. PATENT DOCUMENTS

(72) Inventors: **Nichole Suzanne Rouillac**, San Francisco, CA (US); **Luane Rowe**, San Francisco, CA (US); **Maxime David Eric Dubreucq**, San Francisco, CA (US); **Lawrence Herman Fong**, San Francisco, CA (US); **Chi Jen Lu**, San Francisco, CA (US); **Jenny Yoon Joo Lee**, San Francisco, CA (US); **Christina L. Ng**, San Francisco, CA (US)

D272,992 S * 3/1984 Wong D10/106.1
D495,055 S * 8/2004 Silber D24/187
D558,352 S * 12/2007 Sanfilippo D24/187
8,941,830 B2 * 1/2015 Schmitz A61B 5/14551
356/338
D723,459 S * 3/2015 Dang D13/108
D731,334 S * 6/2015 Fiedler D10/70
D733,888 S * 7/2015 Tuhkanen D24/167
D739,942 S * 9/2015 Pernu D24/167
D747,984 S * 1/2016 Zhao D10/52

* cited by examiner

(73) Assignee: **HTC Corporation**, Taoyuan (TW)

Primary Examiner — Anhdao Doan

(**) Term: **15 Years**

(74) *Attorney, Agent, or Firm* — Jianq Chyun IP Office

(21) Appl. No.: **29/541,195**

(57) **CLAIM**

The ornamental design for a heart rate monitor, as shown and described.

(22) Filed: **Oct. 1, 2015**

DESCRIPTION

(51) **LOC (10) Cl.** **24-02**

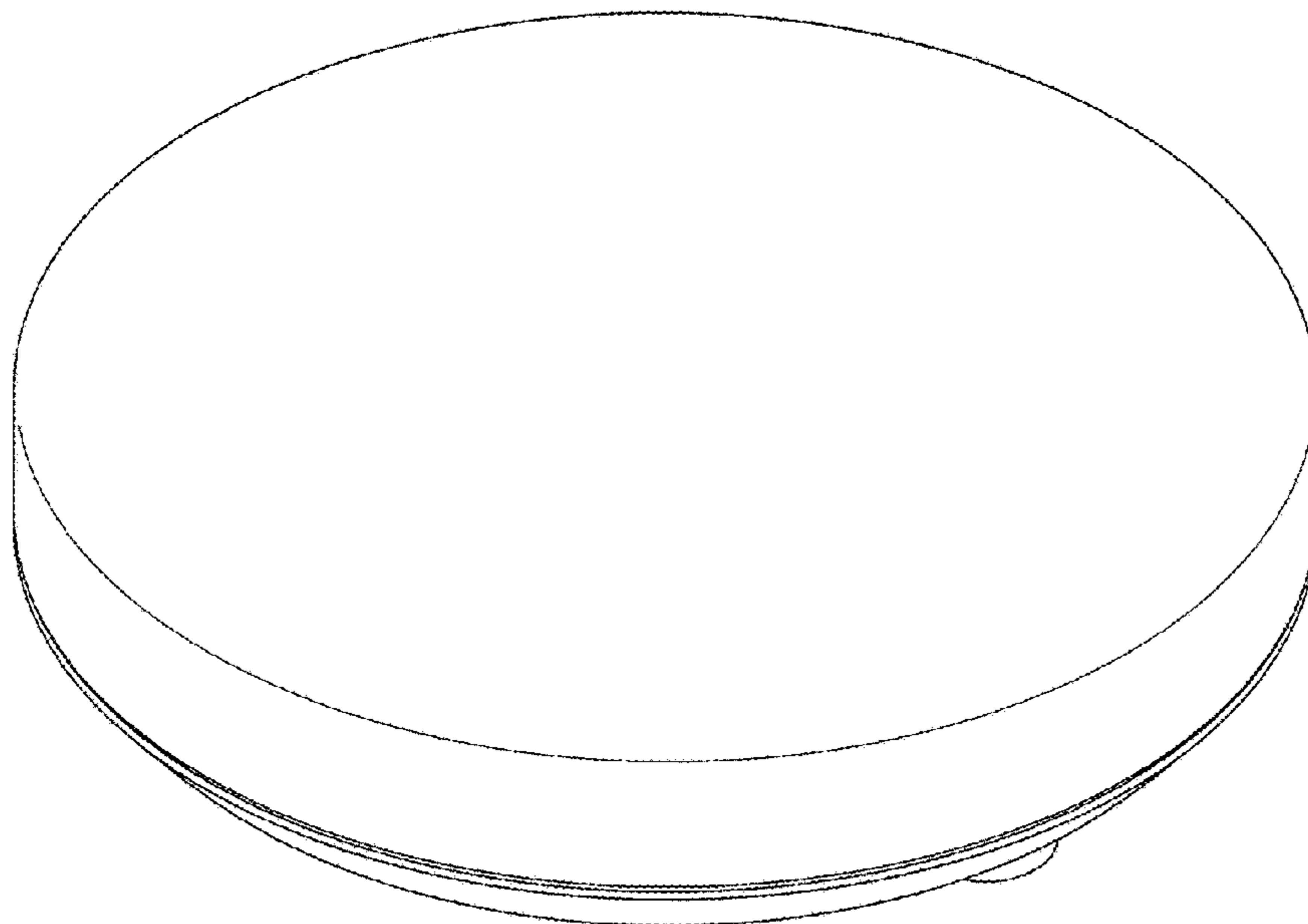
(52) **U.S. Cl.**
USPC **D24/167**

(58) **Field of Classification Search**
USPC D24/165–168, 186, 187, 107; D10/70,
D10/75, 98
CPC A61B 5/0444; A61B 5/044; A61B 5/6824;
A61B 5/6831; A61B 5/6832; A61B
5/02405; A61B 5/02411; A61B 5/02427;
A61B 5/02438; A61B 2560/0412

FIG. 1 is a perspective view of a heart rate monitor showing my new design;
FIG. 2 is another perspective view thereof;
FIG. 3 is a front view thereof;
FIG. 4 is a rear view thereof;
FIG. 5 is a left side view thereof;
FIG. 6 is a right side view thereof;
FIG. 7 is a top view thereof; and,
FIG. 8 is a bottom view thereof.

See application file for complete search history.

1 Claim, 6 Drawing Sheets



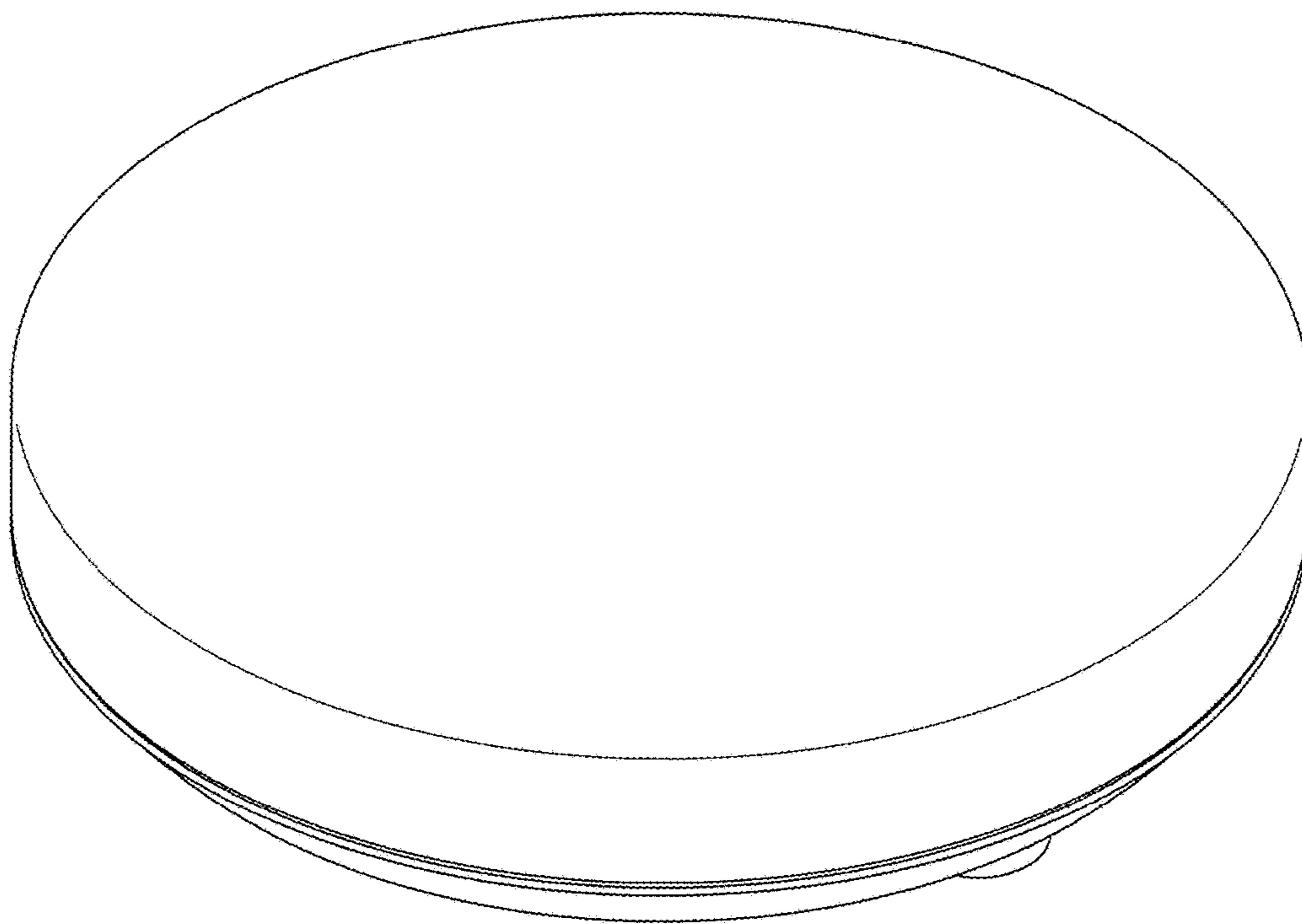


FIG. 1

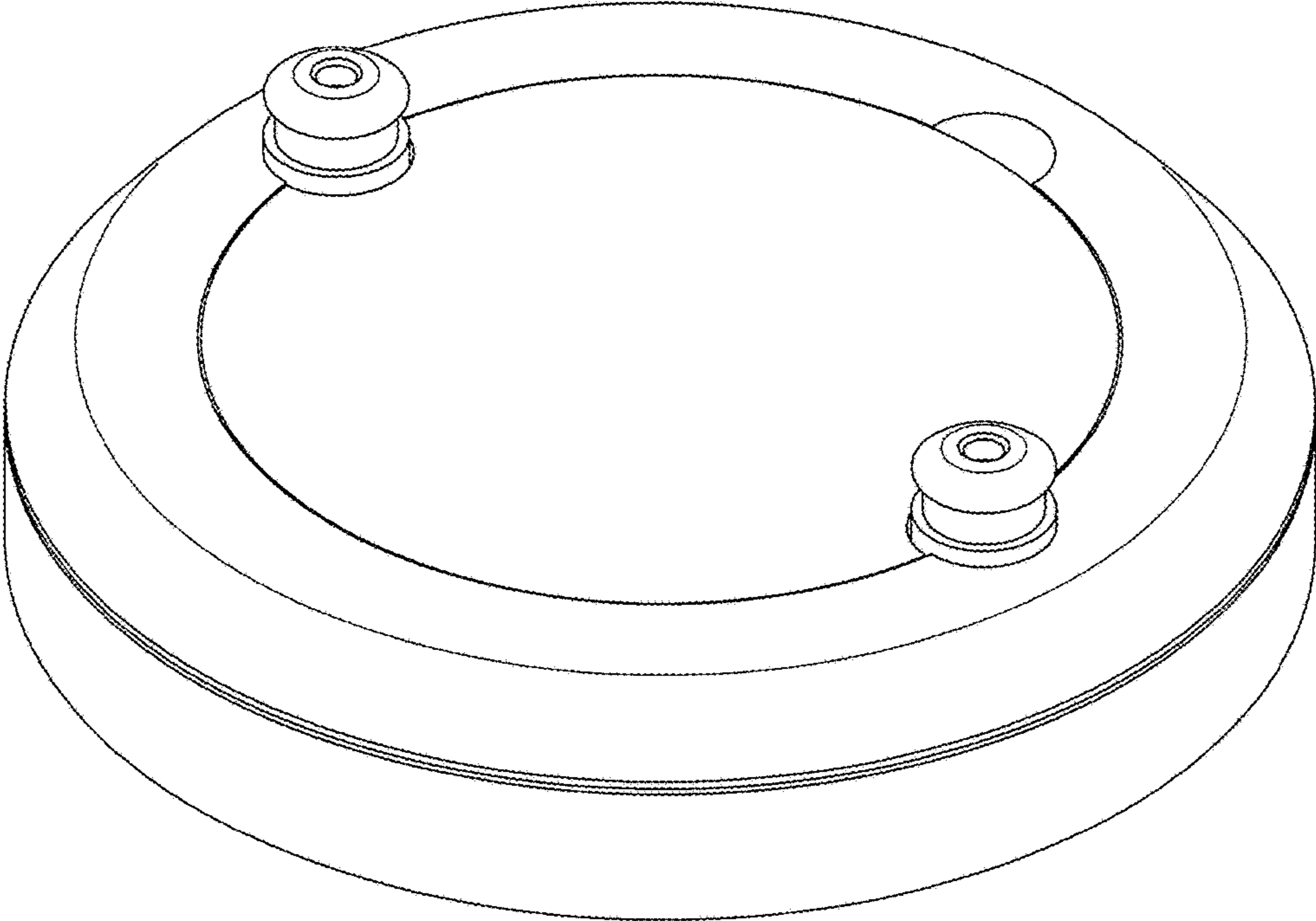


FIG. 2

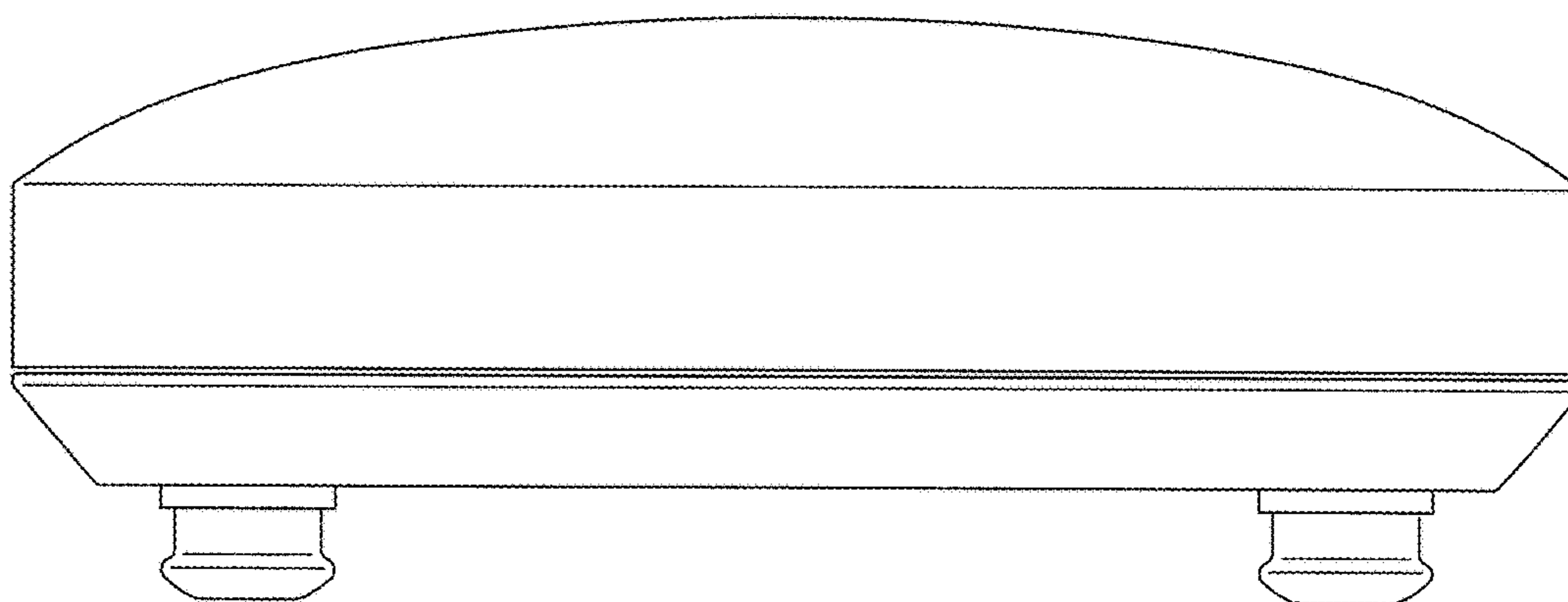


FIG. 3

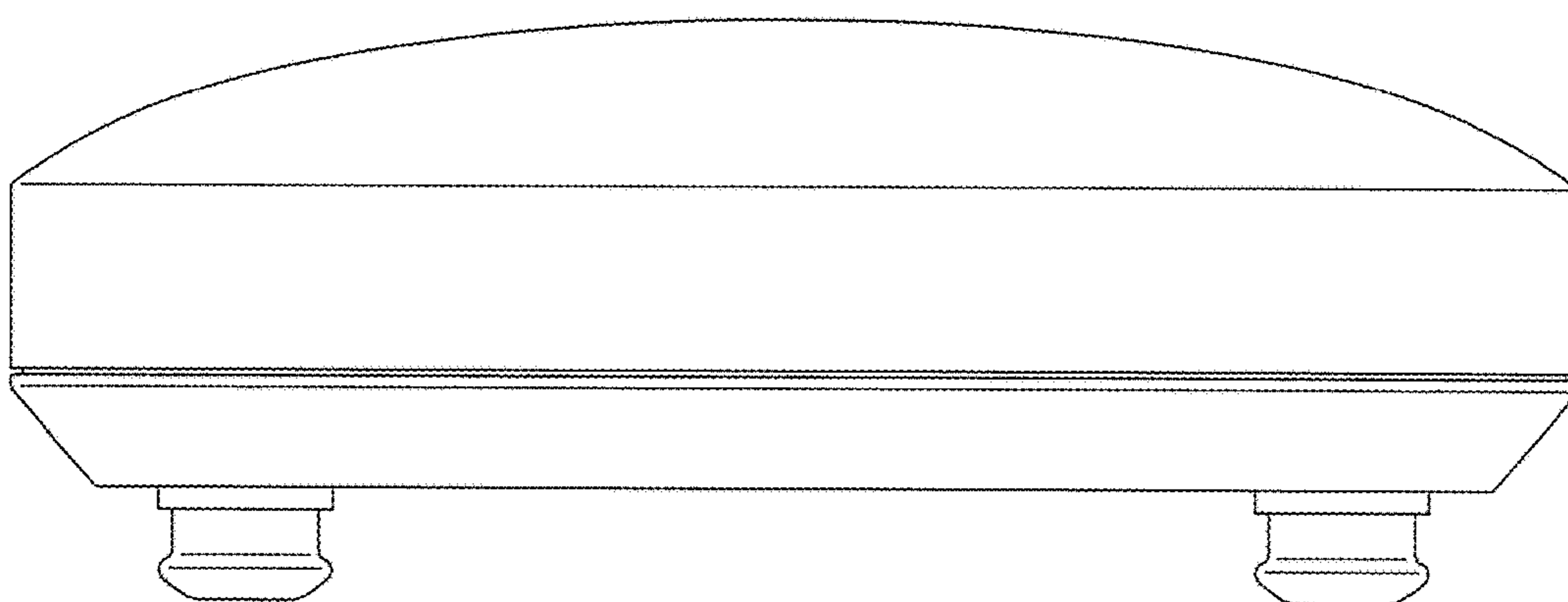


FIG. 4

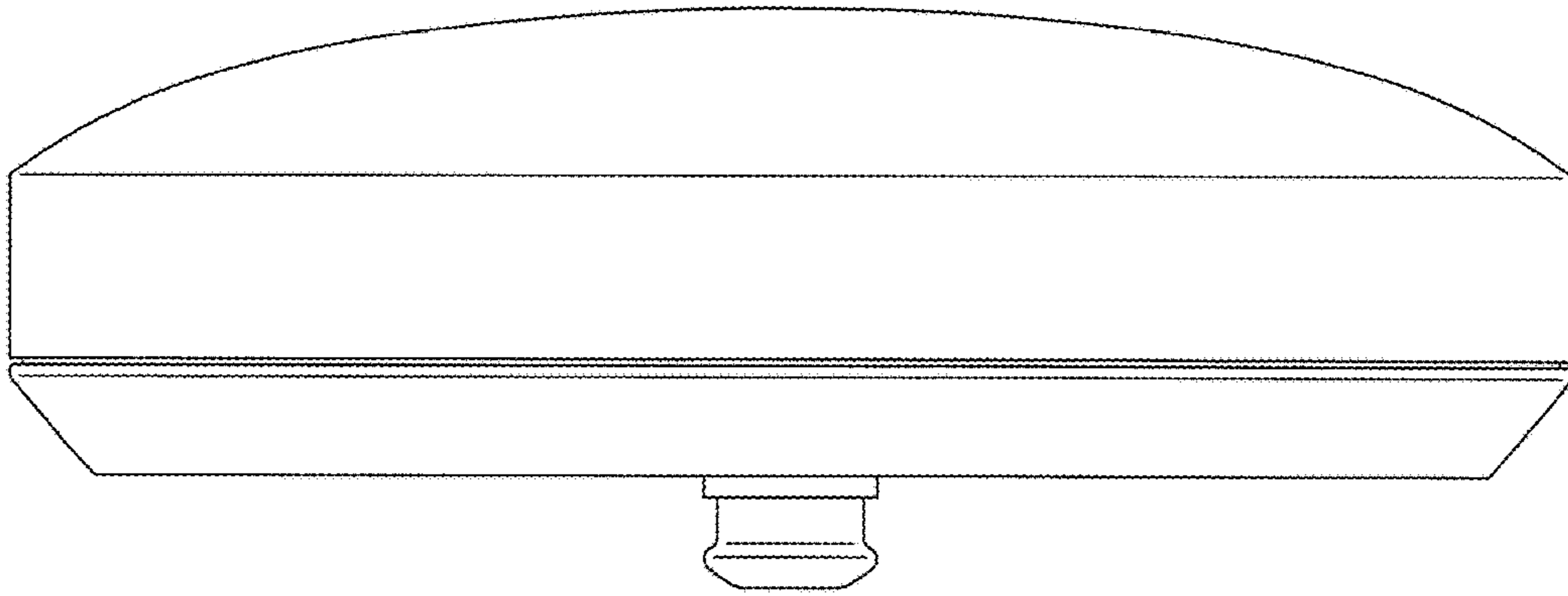


FIG. 5

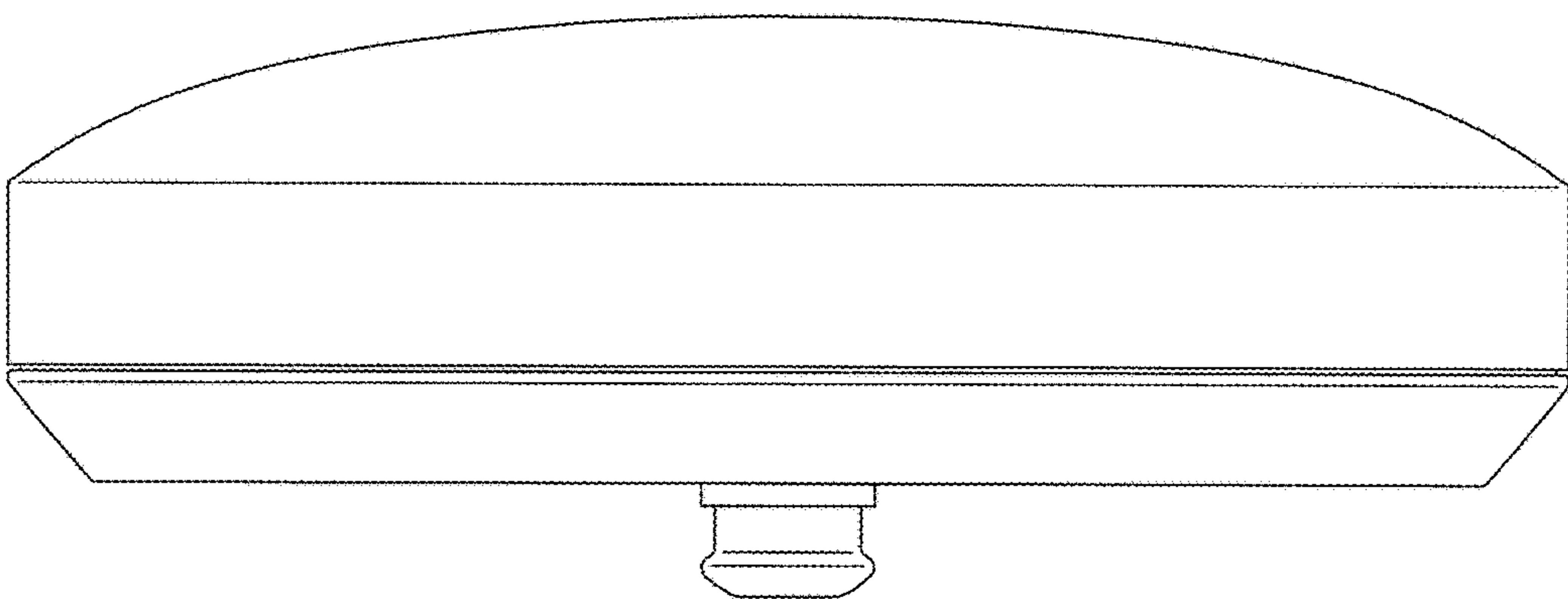


FIG. 6

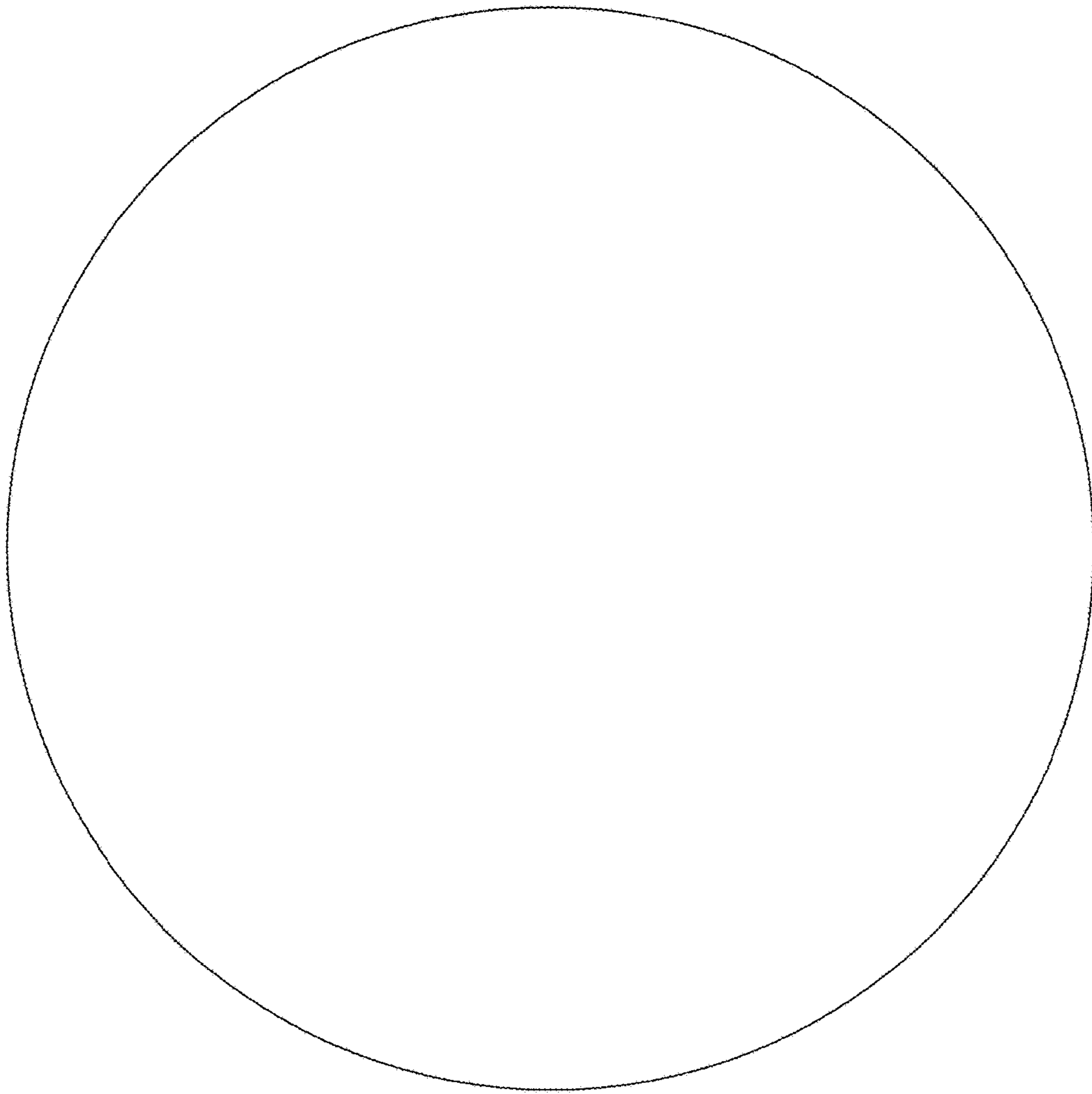


FIG. 7

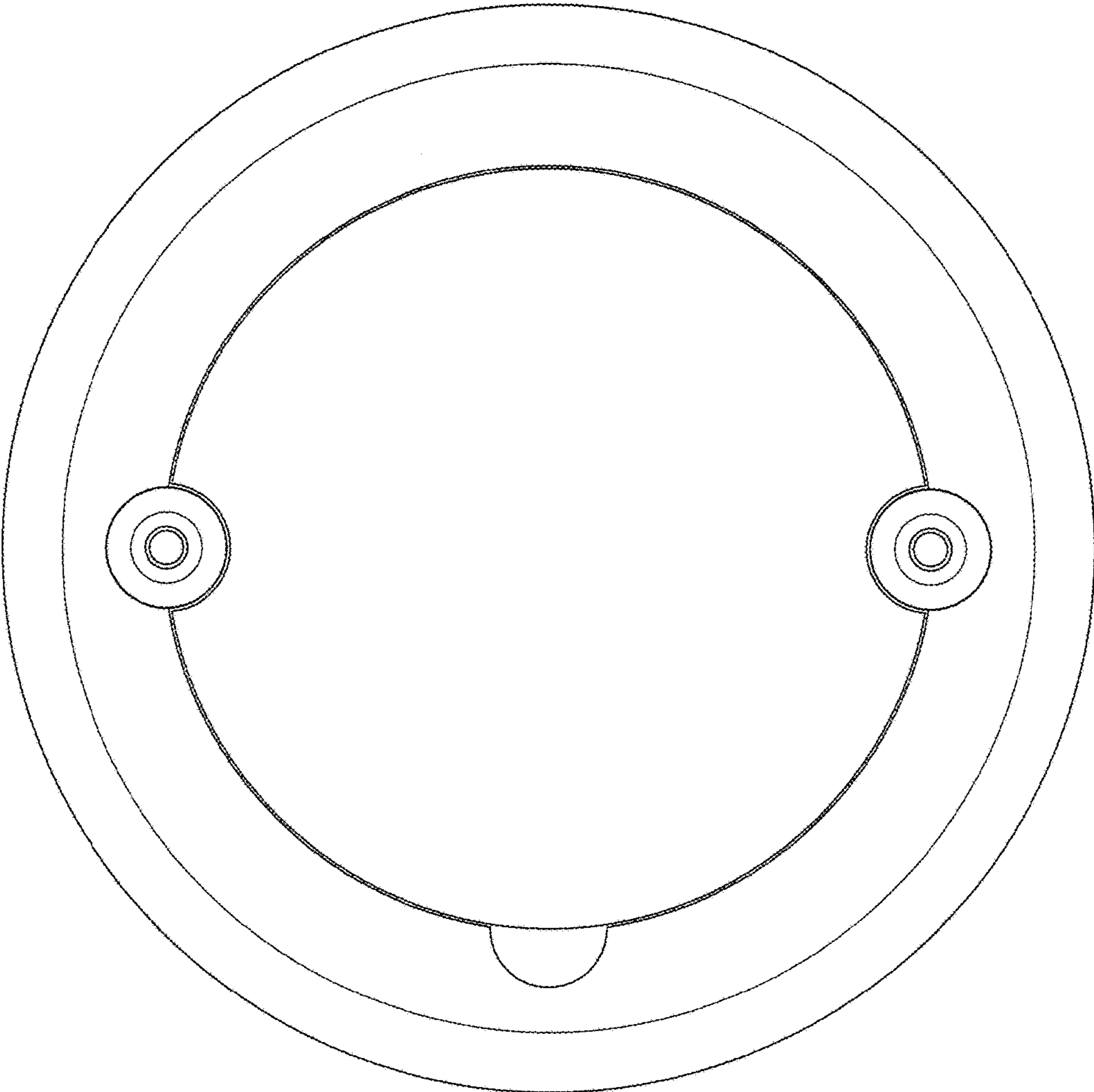


FIG. 8