



US00D776818S

(12) **United States Design Patent**
Metcalf

(10) **Patent No.:** **US D776,818 S**
(45) **Date of Patent:** **** Jan. 17, 2017**

- (54) **SCANNER**
- (71) Applicant: **James R. Glidewell Dental Ceramics, Inc.**, Newport Beach, CA (US)
- (72) Inventor: **Gregory Rei Metcalf**, Costa Mesa, CA (US)
- (73) Assignee: **James R. Glidewell Dental Ceramics, Inc.**, Newport Beach, CA (US)
- (**) Term: **15 Years**
- (21) Appl. No.: **29/536,244**
- (22) Filed: **Aug. 14, 2015**

6,217,334 B1 * 4/2001 Hultgren A61C 9/0006
433/214
D476,658 S * 7/2003 Adachi D14/423
D533,555 S * 12/2006 Odhe D14/420
(Continued)

FOREIGN PATENT DOCUMENTS

KR 20120065307 6/2012
WO WO2013180423 5/2013

Primary Examiner — Anhdao Doan
(74) *Attorney, Agent, or Firm* — Dianne Burkhard

(57) **CLAIM**

The ornamental design for a scanner, as shown and described.

DESCRIPTION

FIG. 1 is a front perspective view of the scanner, showing a first embodiment of our new design;
FIG. 2 is a front view of the first embodiment;
FIG. 3 is a top view of the first embodiment;
FIG. 4 is a rear view of the first embodiment;
FIG. 5 is a right side view of the first embodiment;
FIG. 6 is a left view of the first embodiment;
FIG. 7 is a bottom view of the first embodiment;
FIG. 8 is a front perspective view of the scanner, showing a second embodiment of our new design;
FIG. 9 is a front view of the second embodiment;
FIG. 10 is a top view of the second embodiment;
FIG. 11 is a rear view of the second embodiment;
FIG. 12 is a right side view of the second embodiment;
FIG. 13 is a left side view of the second embodiment; and,
FIG. 14 is a bottom view of the second embodiment.
The broken lines in the Figures show portions of the scanner that form no part of the claimed design.

Related U.S. Application Data

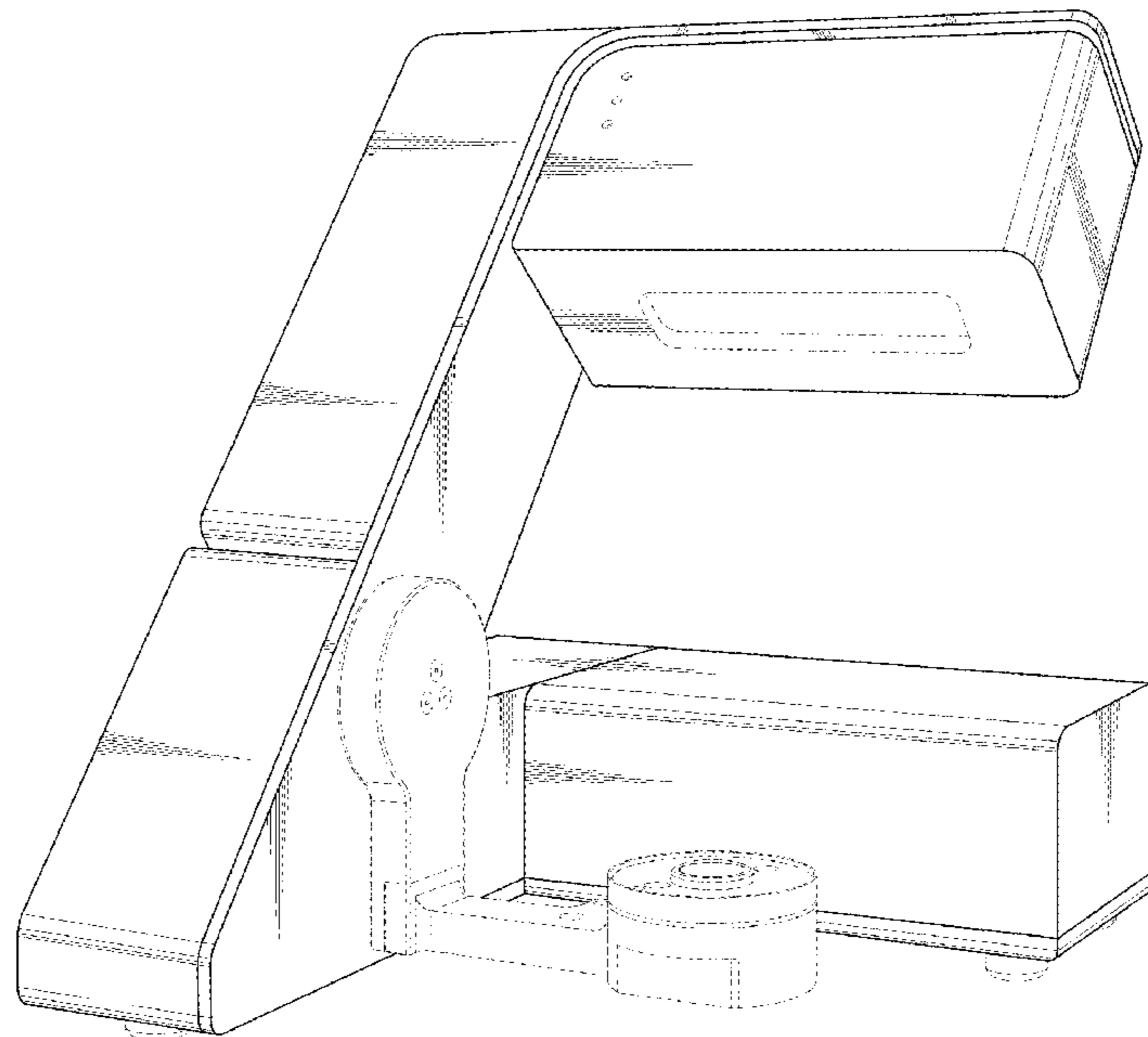
- (62) Division of application No. 29/507,810, filed on Oct. 30, 2014, now Pat. No. Des. 742,010.
- (51) **LOC (10) Cl.** **24-01**
- (52) **U.S. Cl.**
USPC **D24/158**
- (58) **Field of Classification Search**
USPC D24/158-161, 185, 186, 176; D14/420,
D14/421, 423; D16/232
CPC G06K 2007/10524; G06K 7/10881;
A61C 9/004; A61C 9/0006; A61C 9/0053;
A61C 13/0004; A61C 9/0027; G01B
11/24
See application file for complete search history.

(56) **References Cited**

U.S. PATENT DOCUMENTS

D302,683 S * 8/1989 Iwasaki D14/423
D394,316 S * 5/1998 Kodama D24/158

1 Claim, 14 Drawing Sheets



(56)

References Cited

U.S. PATENT DOCUMENTS

D573,146	S	*	7/2008	Sukenari	D14/431
D580,962	S	*	11/2008	Sukenari	D14/423
D612,851	S	*	3/2010	Maruyama	D14/423
D678,383	S	*	3/2013	Park	D16/232
D714,940	S	*	10/2014	Kim	D24/158
D735,341	S	*	7/2015	Chang	D24/176
2011/0090513	A1		4/2011	Seidl et al.	

* cited by examiner

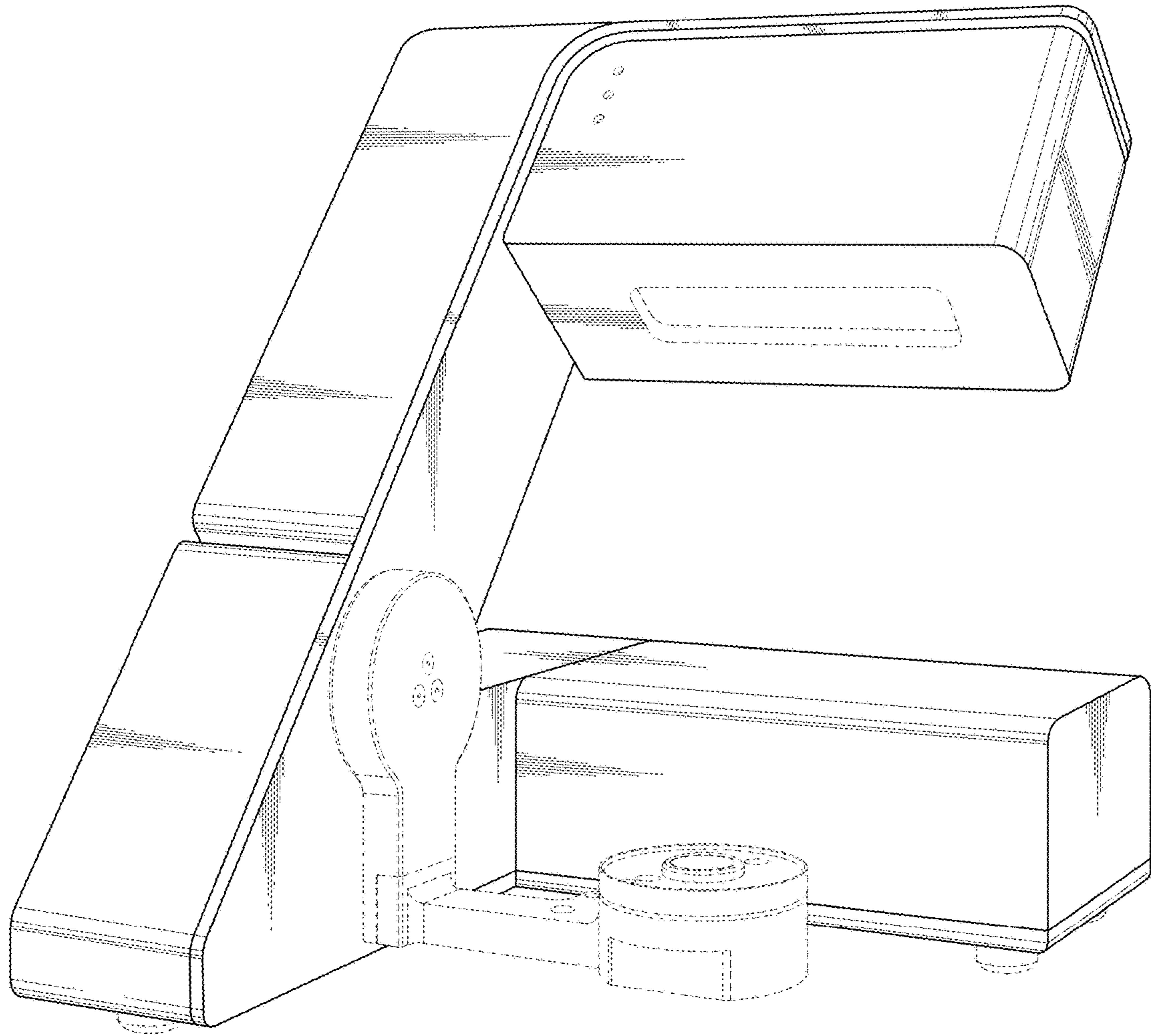


FIG. 1

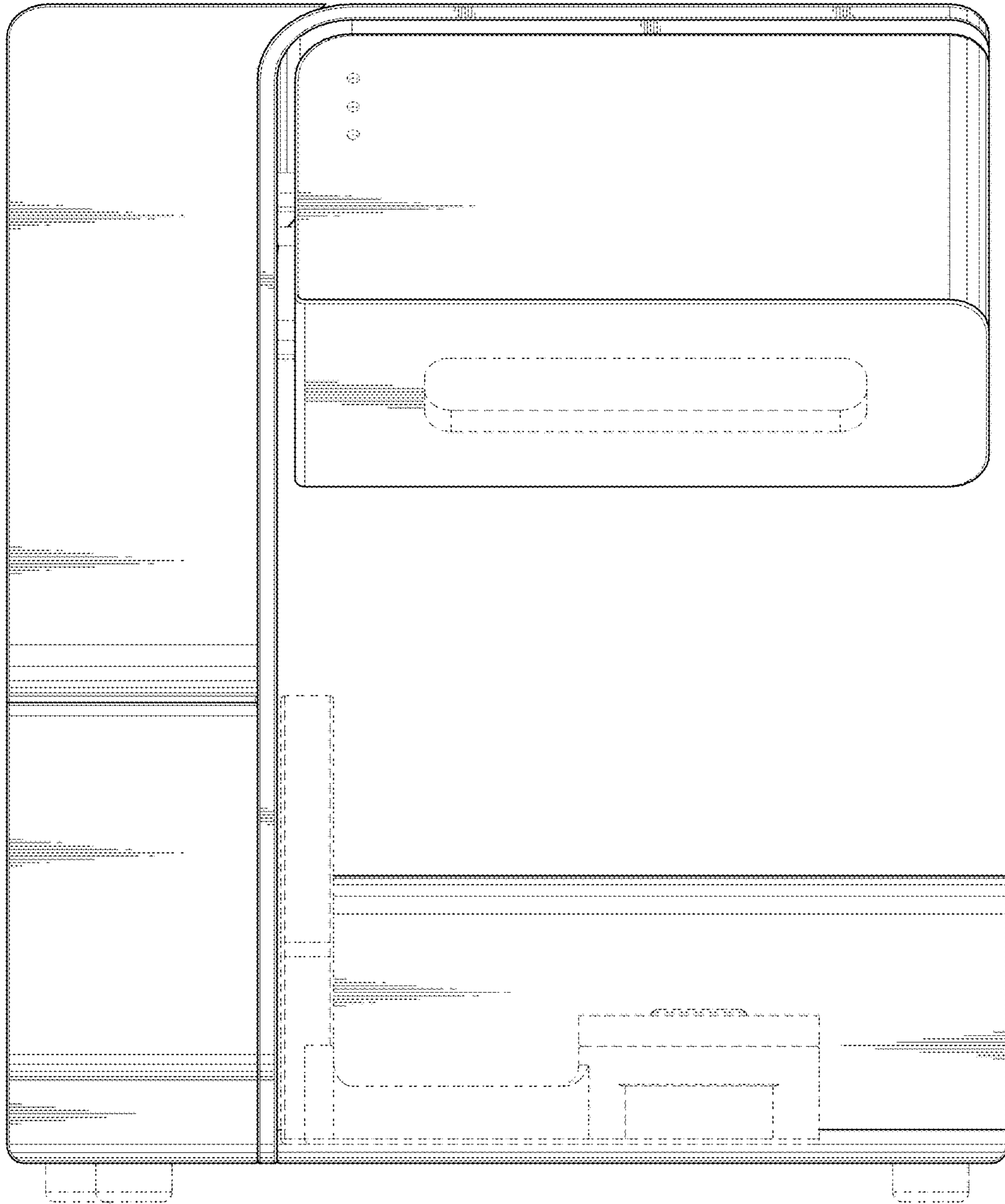


FIG. 2

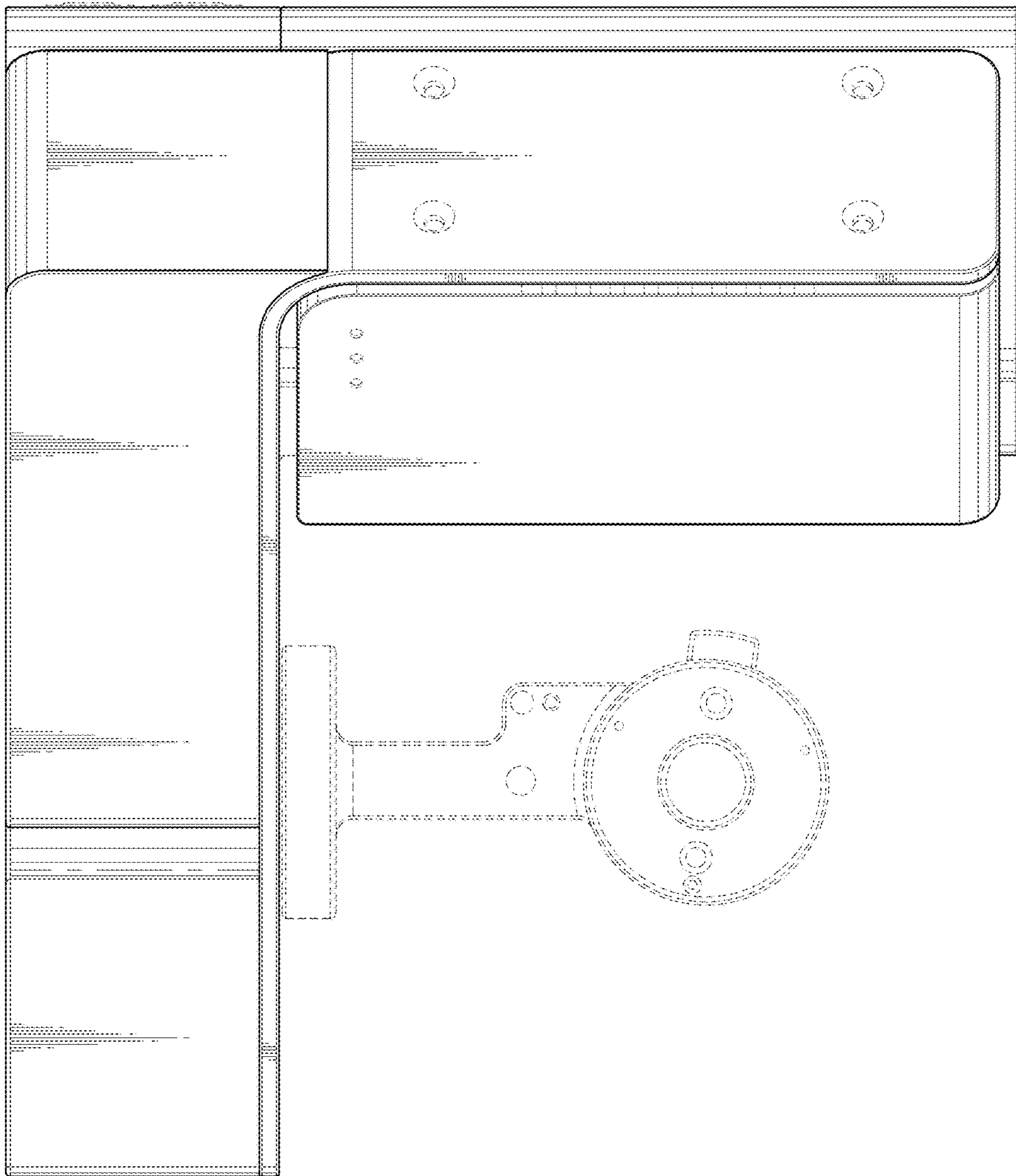


FIG. 3

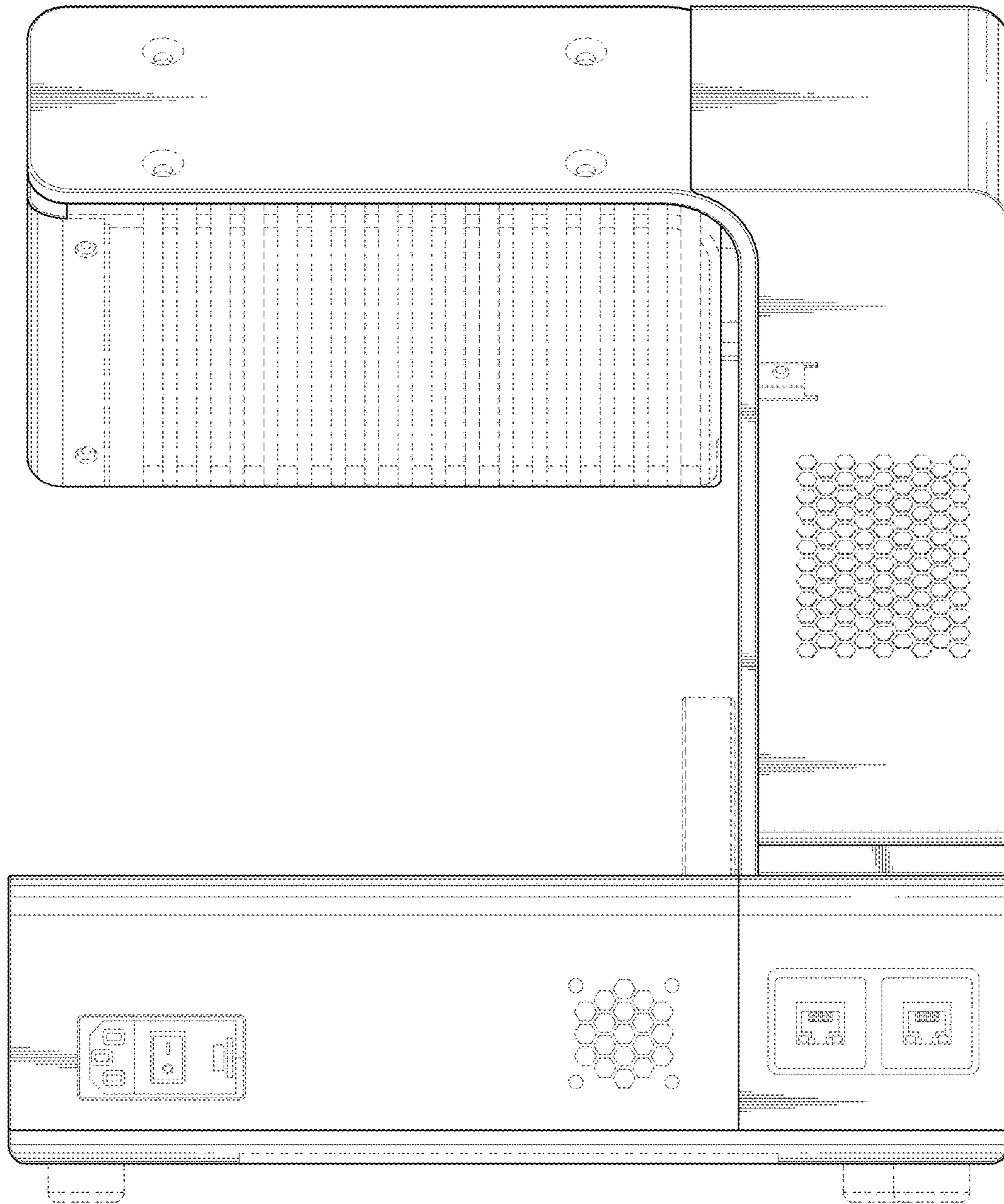


FIG. 4

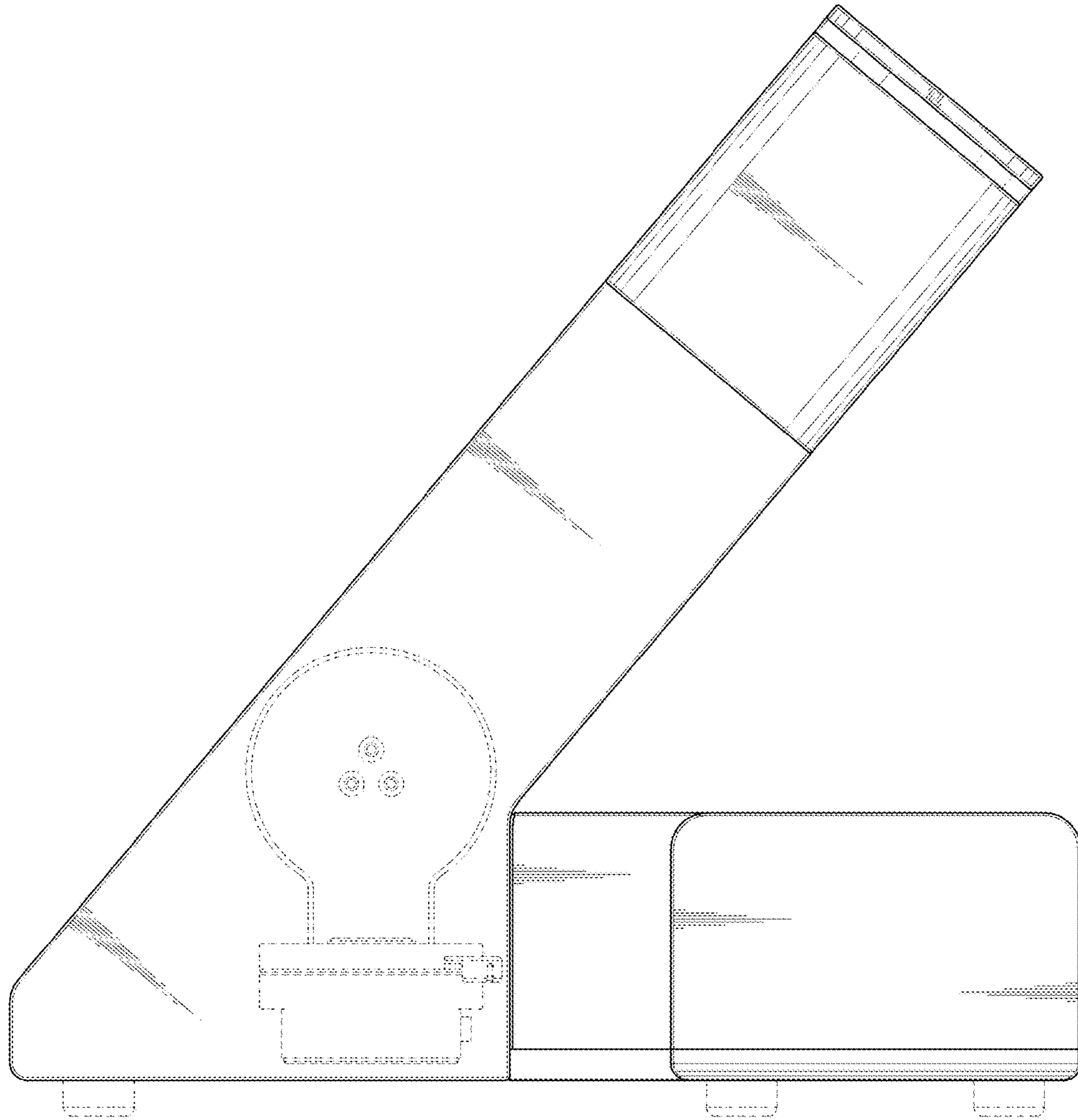


FIG. 5

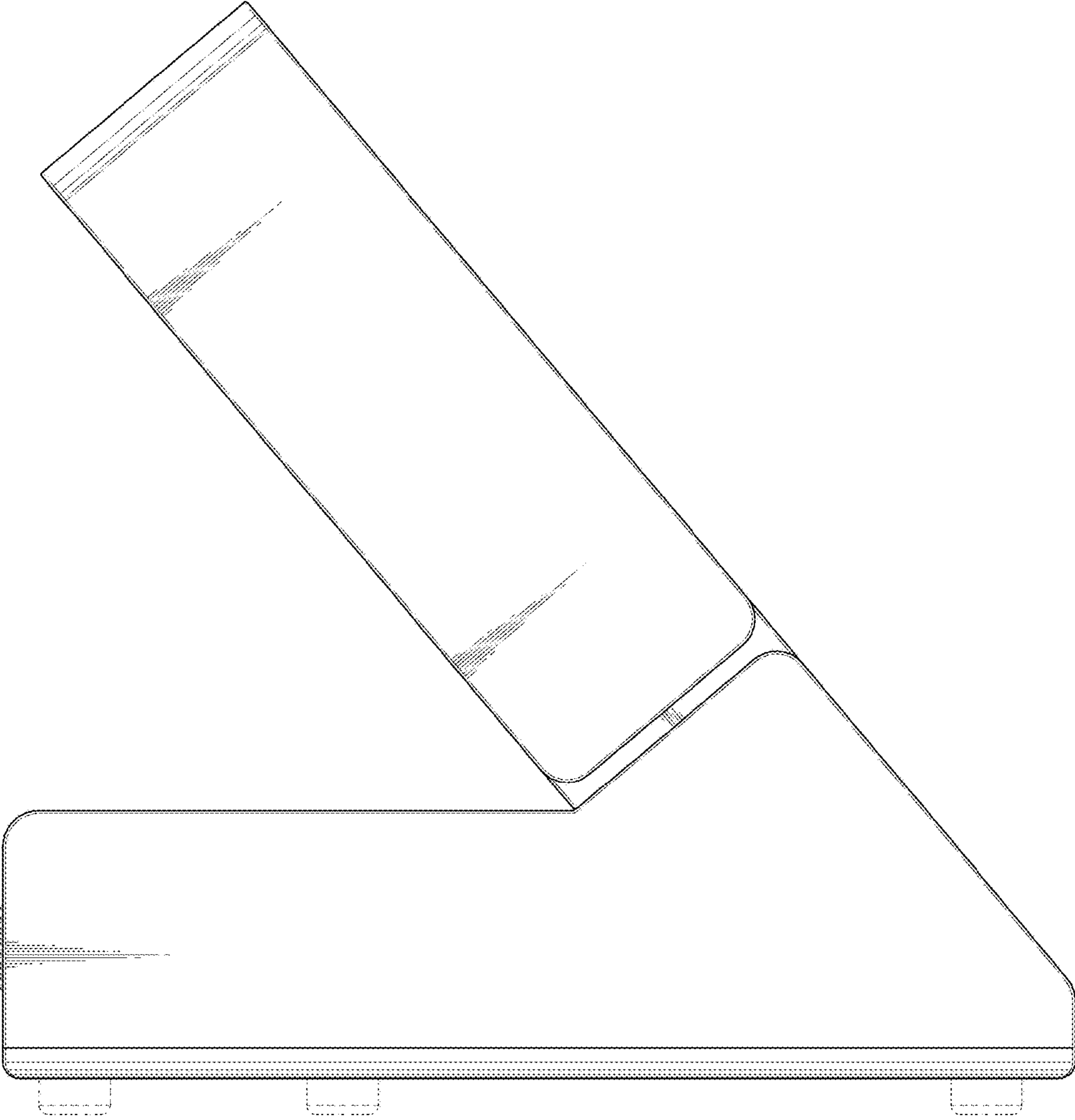


FIG. 6

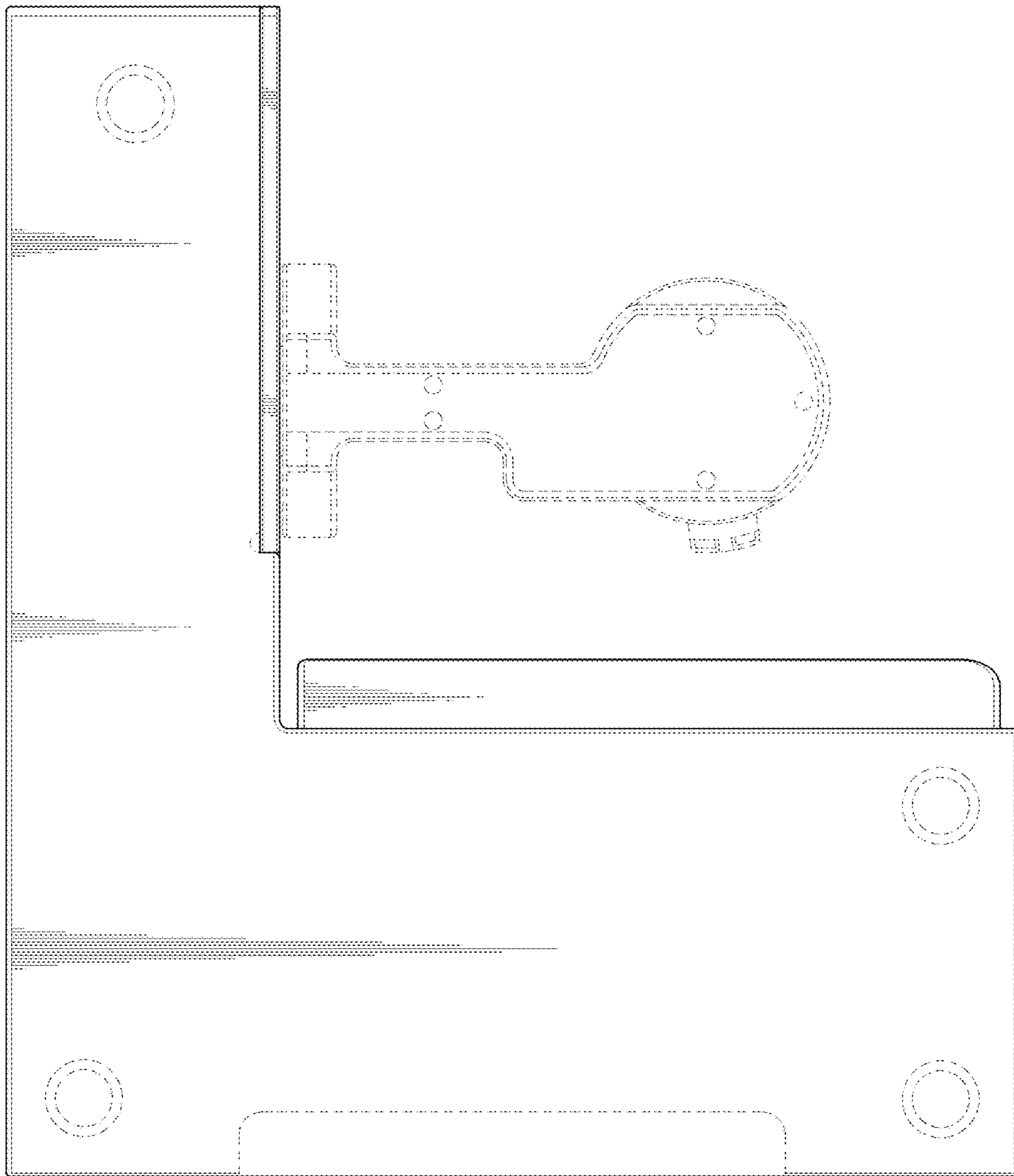


FIG. 7

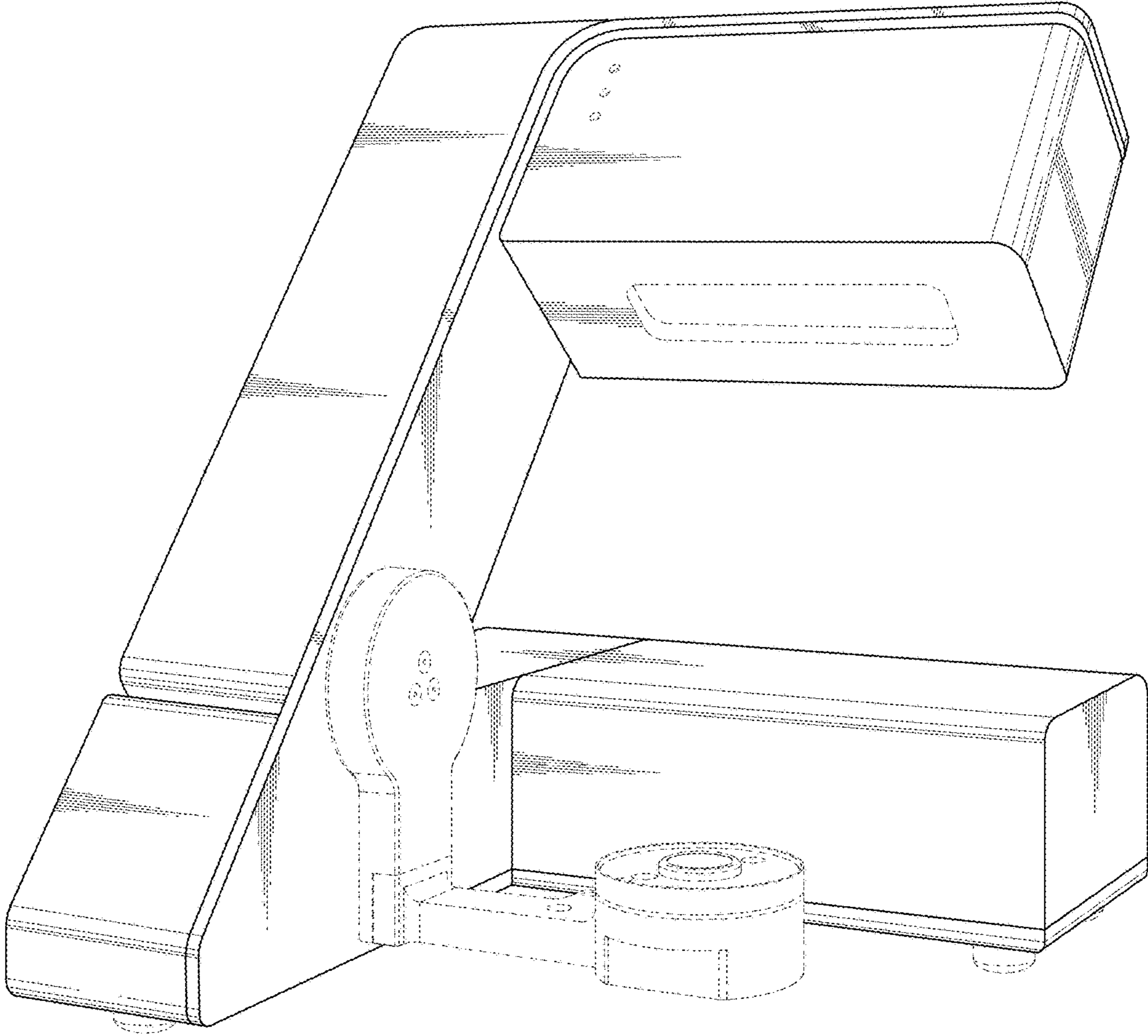


FIG. 8

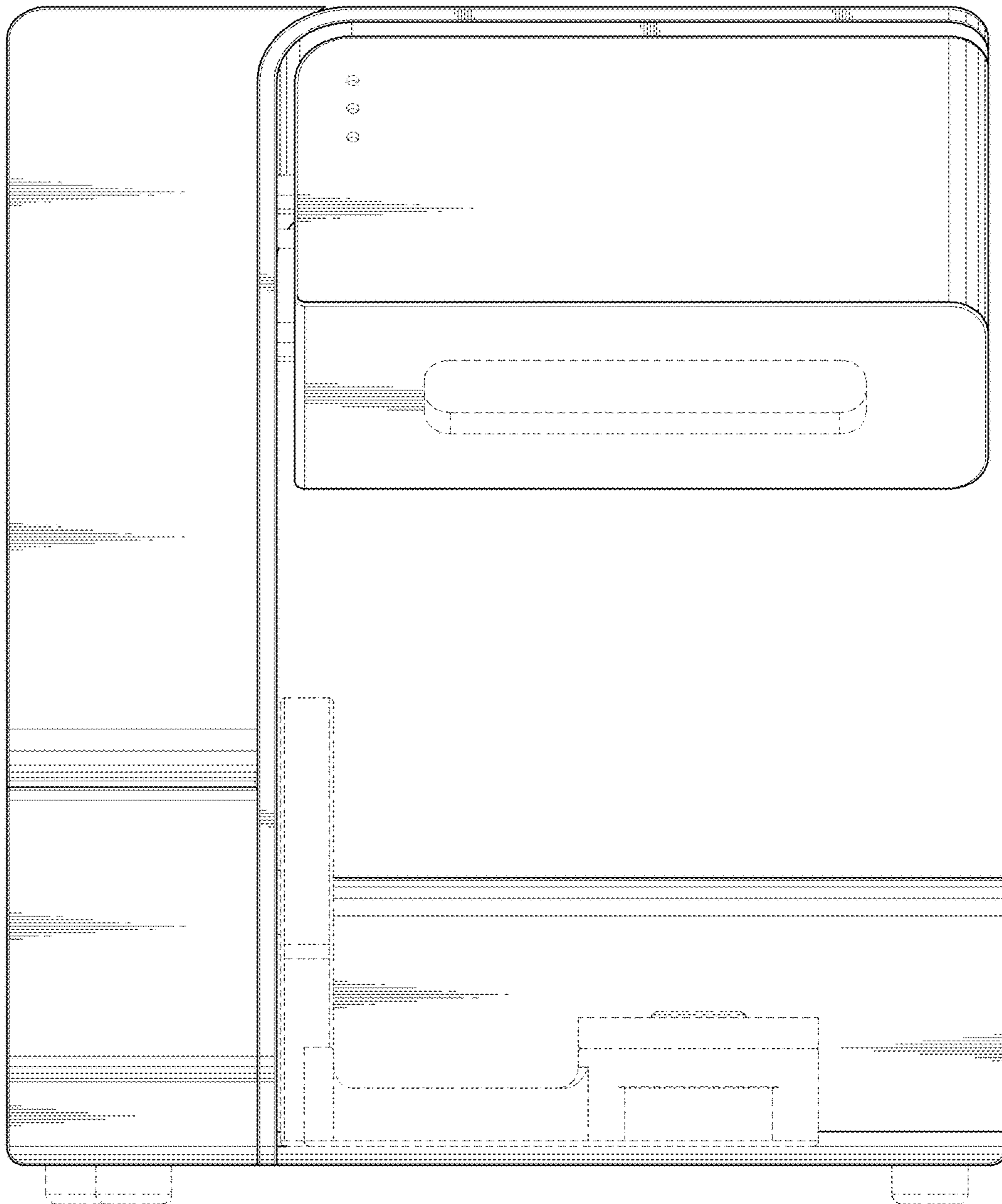


FIG. 9

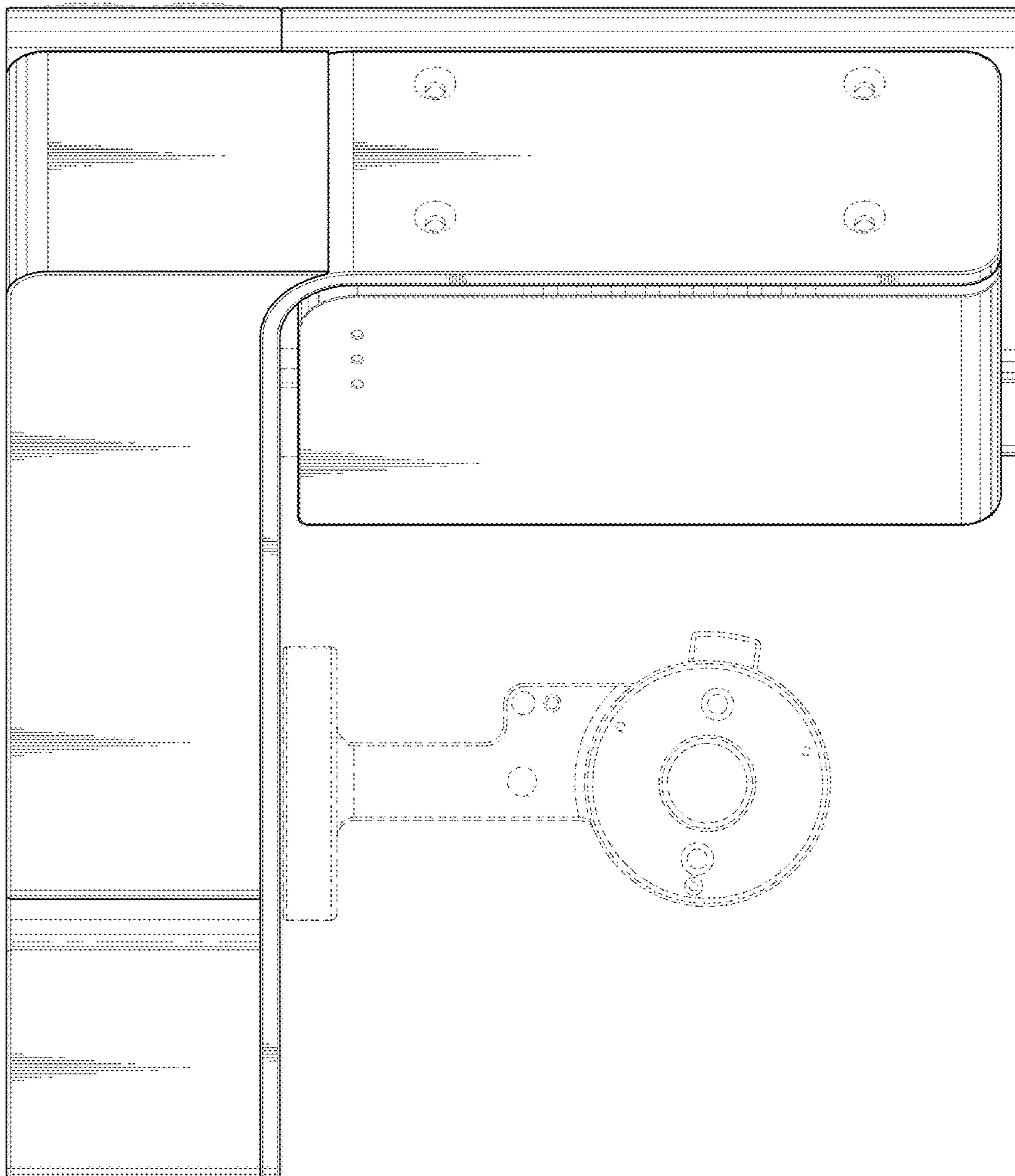


FIG. 10

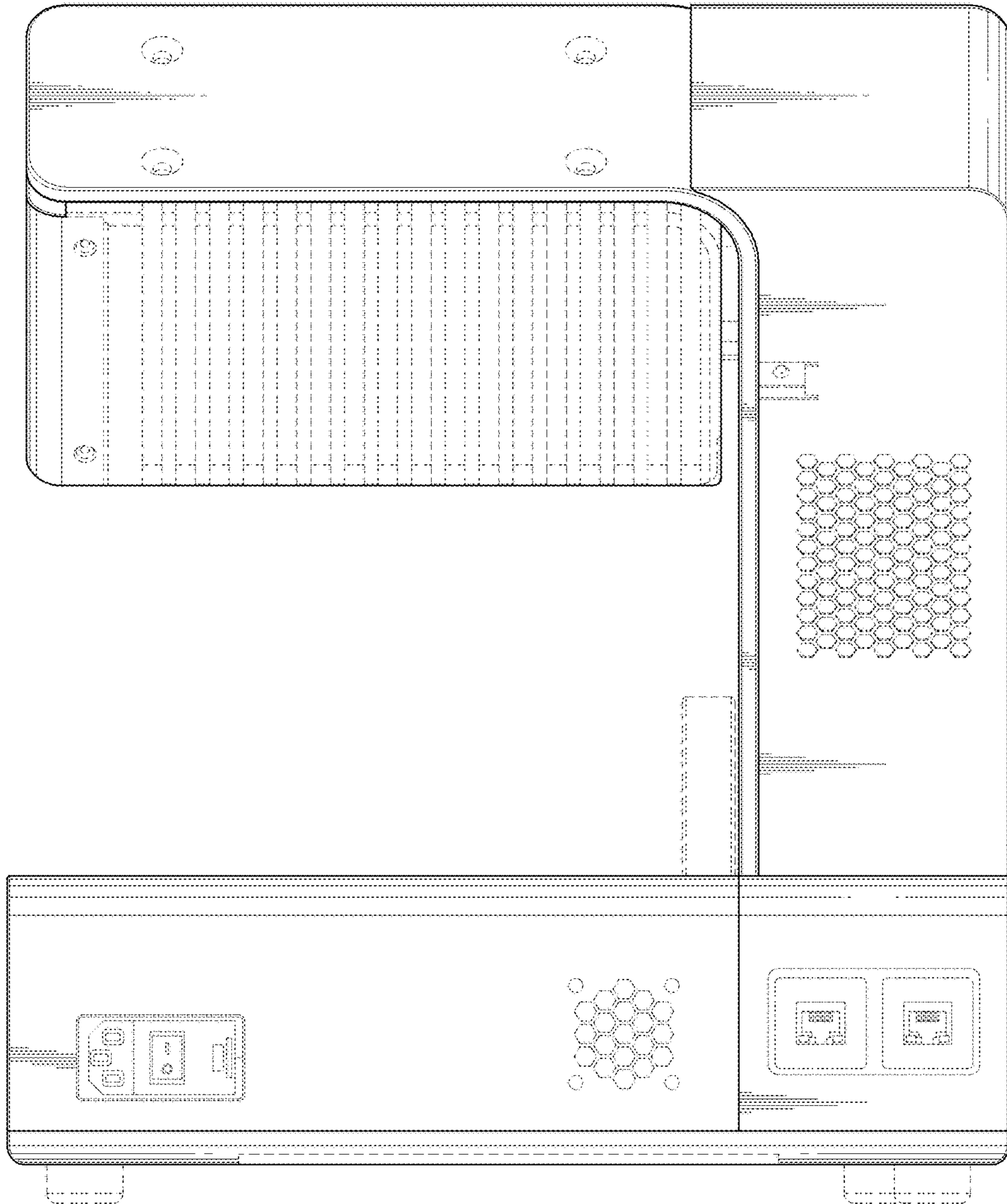


FIG. 11

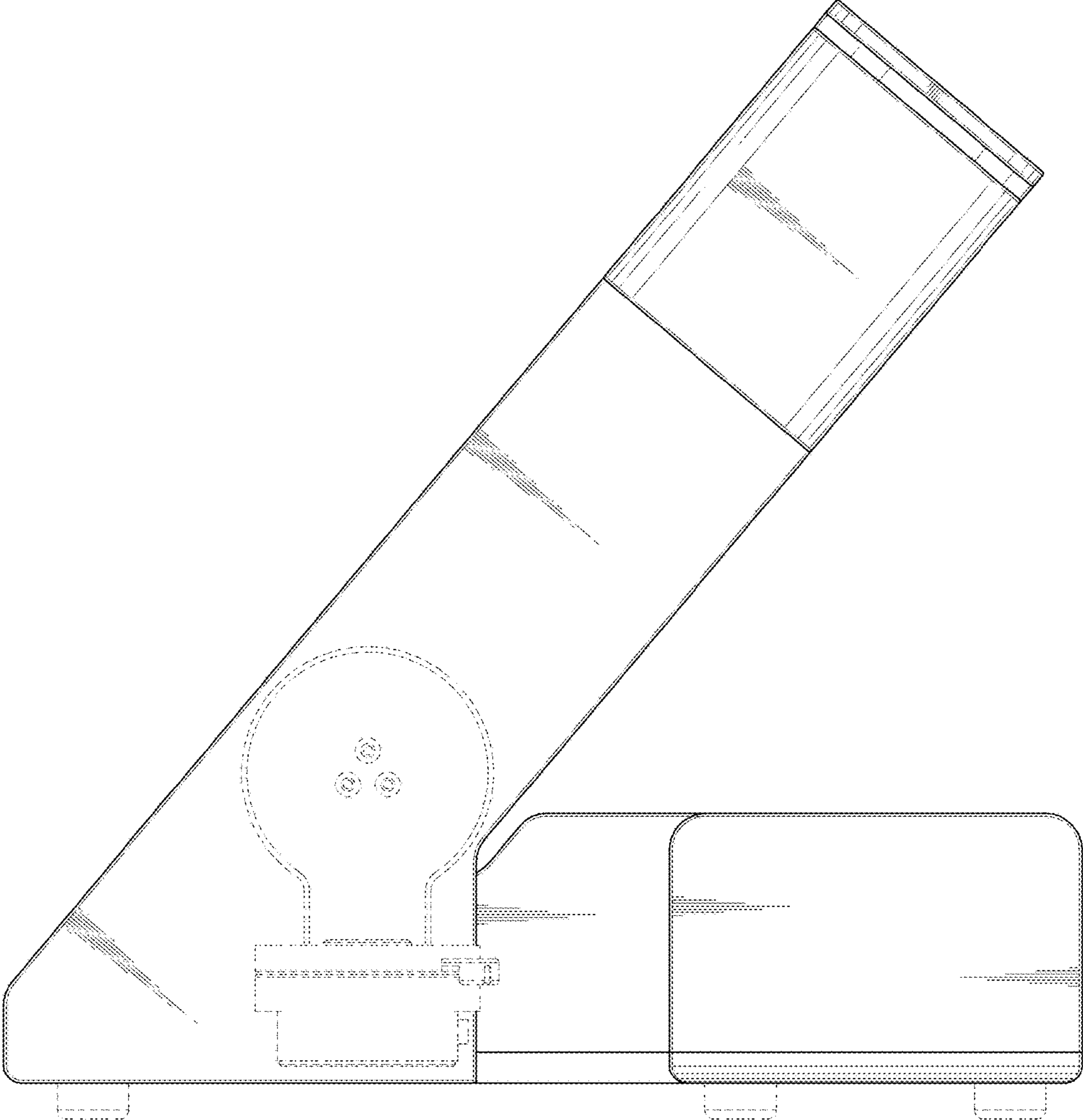


FIG. 12

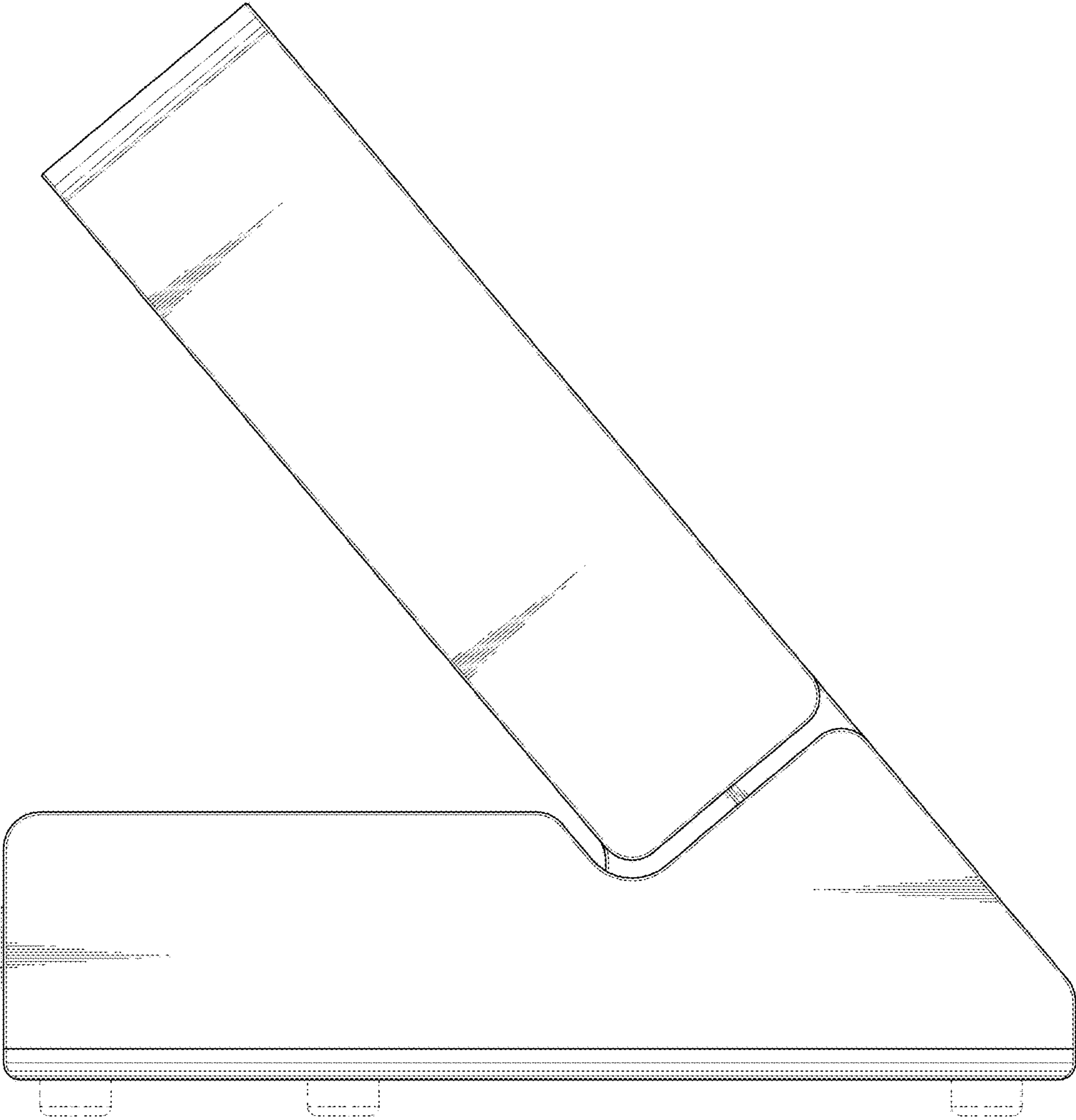


FIG. 13

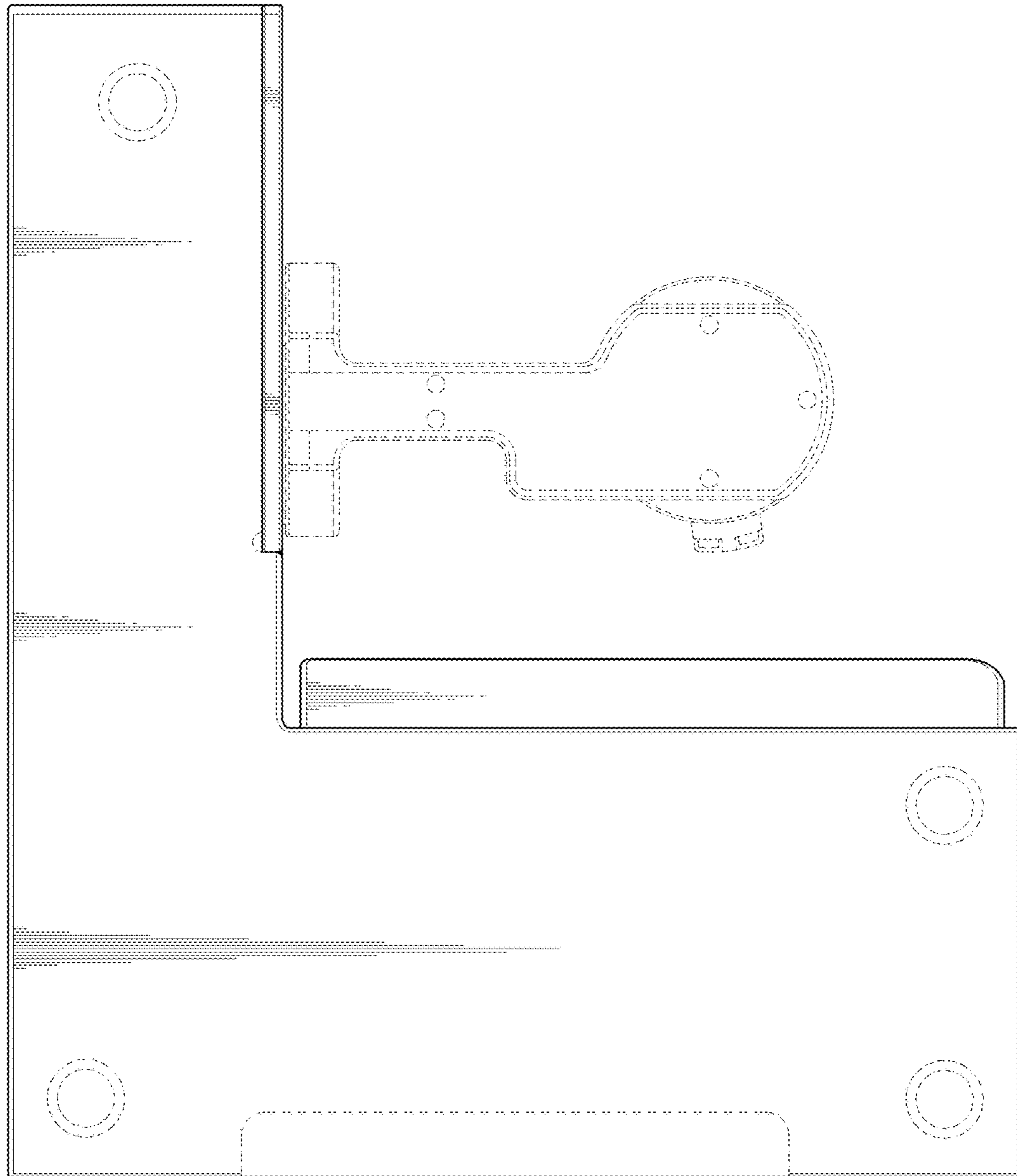


FIG. 14