



US00D776817S

(12) **United States Design Patent**  
**Haberman et al.**

(10) **Patent No.:** **US D776,817 S**  
(45) **Date of Patent:** **\*\* Jan. 17, 2017**

- (54) **SEALING MEMBER FOR AN ARTIFICIAL LIMB**
- (71) Applicant: **Engineered Silicone Products, LLC**,  
Newton, NJ (US)
- (72) Inventors: **Louis James Haberman**, Denville, NJ  
(US); **Laszlo E. Dallos**, Branchville, NJ  
(US)
- (73) Assignee: **ENGINEERED SILICONE PRODUCTS, LLC**,  
Newton, NJ (US)
- (\*\*) Term: **15 Years**

- (21) Appl. No.: **29/535,812**
- (22) Filed: **Aug. 11, 2015**
- (51) **LOC (10) Cl.** ..... **24-02**
- (52) **U.S. Cl.**  
USPC ..... **D24/155**
- (58) **Field of Classification Search**  
USPC ..... D24/155; D23/269  
CPC ..... A61F 2/80; A61F 2/5046; A61F 2/60;  
A61F 2/601; A61F 2/602; A61F  
2/604; A61F 2002/7818; A61F  
2002/5053; A61F 2002/607; A61F  
2002/608

See application file for complete search history.

(56) **References Cited**

**U.S. PATENT DOCUMENTS**

- 5,549,709 A \* 8/1996 Caspers ..... A61F 2/5046  
623/24
- 5,735,906 A \* 4/1998 Caspers ..... A61F 2/5046  
623/34

- 6,508,842 B1 \* 1/2003 Caspers ..... A61F 2/5046  
623/32
- 6,645,253 B2 \* 11/2003 Caspers ..... A61F 2/7812  
623/26
- 6,974,484 B2 \* 12/2005 Caspers ..... A61F 2/7812  
623/32
- 7,455,696 B2 \* 11/2008 Bisbee, III ..... A61F 2/5044  
623/45
- 7,922,775 B2 \* 4/2011 Caspers ..... A61F 2/5046  
601/9
- 8,114,167 B2 \* 2/2012 Caspers ..... A61F 2/7812  
623/34
- 8,491,667 B2 \* 7/2013 Dillingham ..... A61F 2/78  
623/32
- 8,758,449 B2 \* 6/2014 Caspers ..... A61F 2/5046  
623/34

\* cited by examiner

*Primary Examiner* — Charles Hanson  
(74) *Attorney, Agent, or Firm* — Porzio, Bromberg &  
Newman P.C.

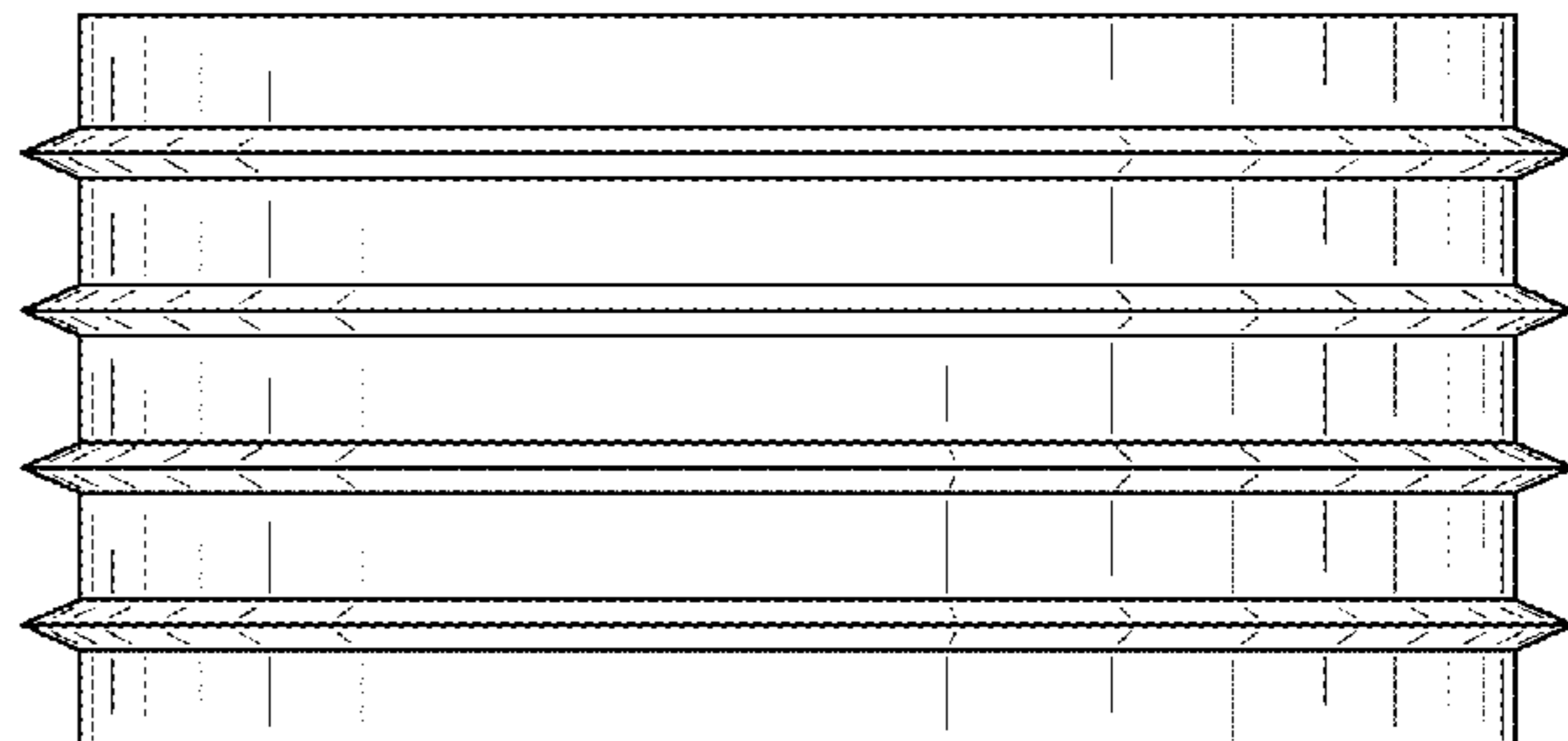
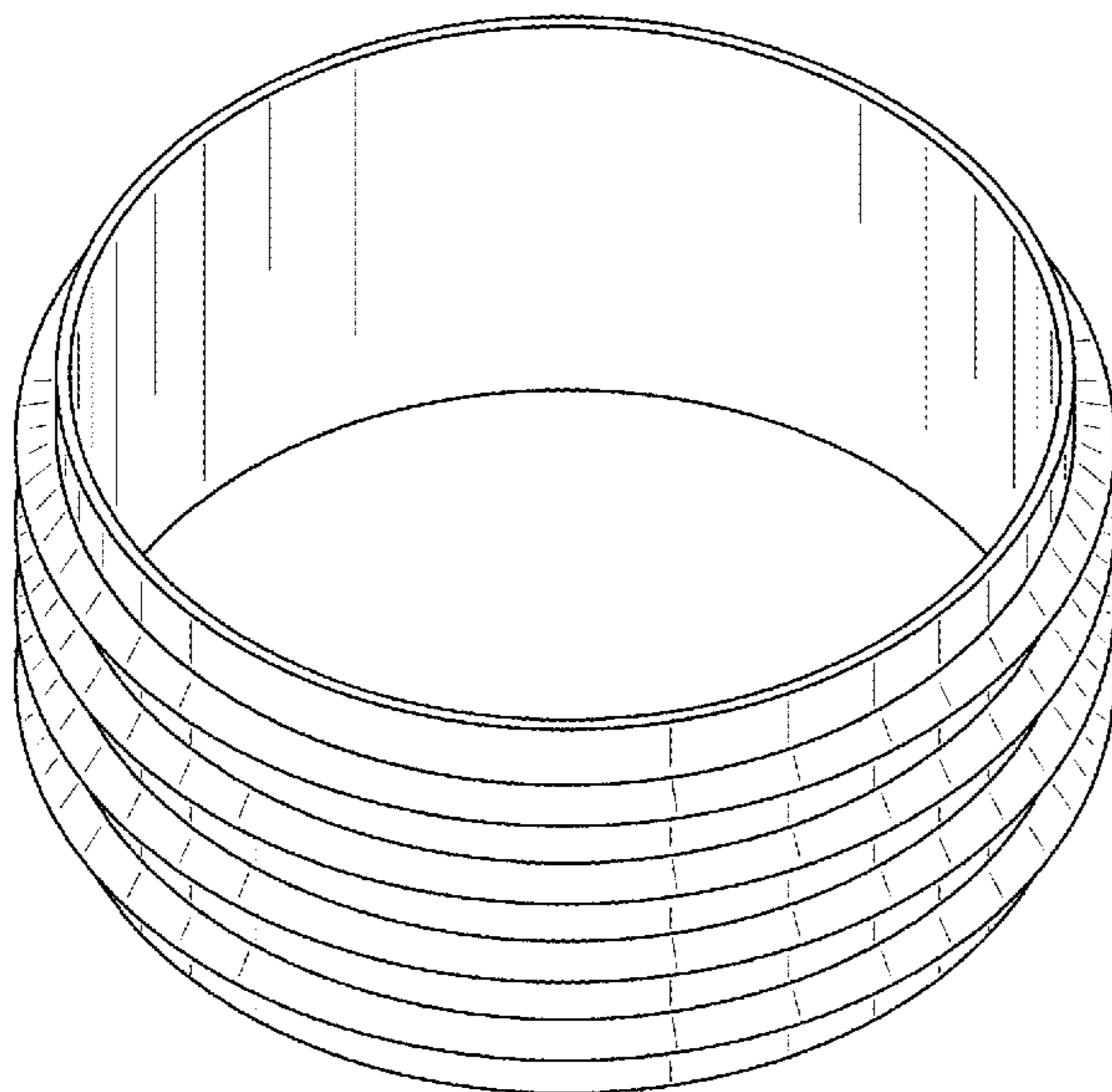
(57) **CLAIM**

The ornamental design for a sealing member for an artificial limb, as shown and described.

**DESCRIPTION**

FIG. 1 is a perspective view of a sealing member for an artificial limb in accordance with our design.  
FIG. 2 is a front side view thereof, it being understood that the left side view, the right side view and the rear side view are each identical thereto; and,  
FIG. 3 is a top side view thereof, it being understood that the bottom side view is identical thereto.

**1 Claim, 2 Drawing Sheets**



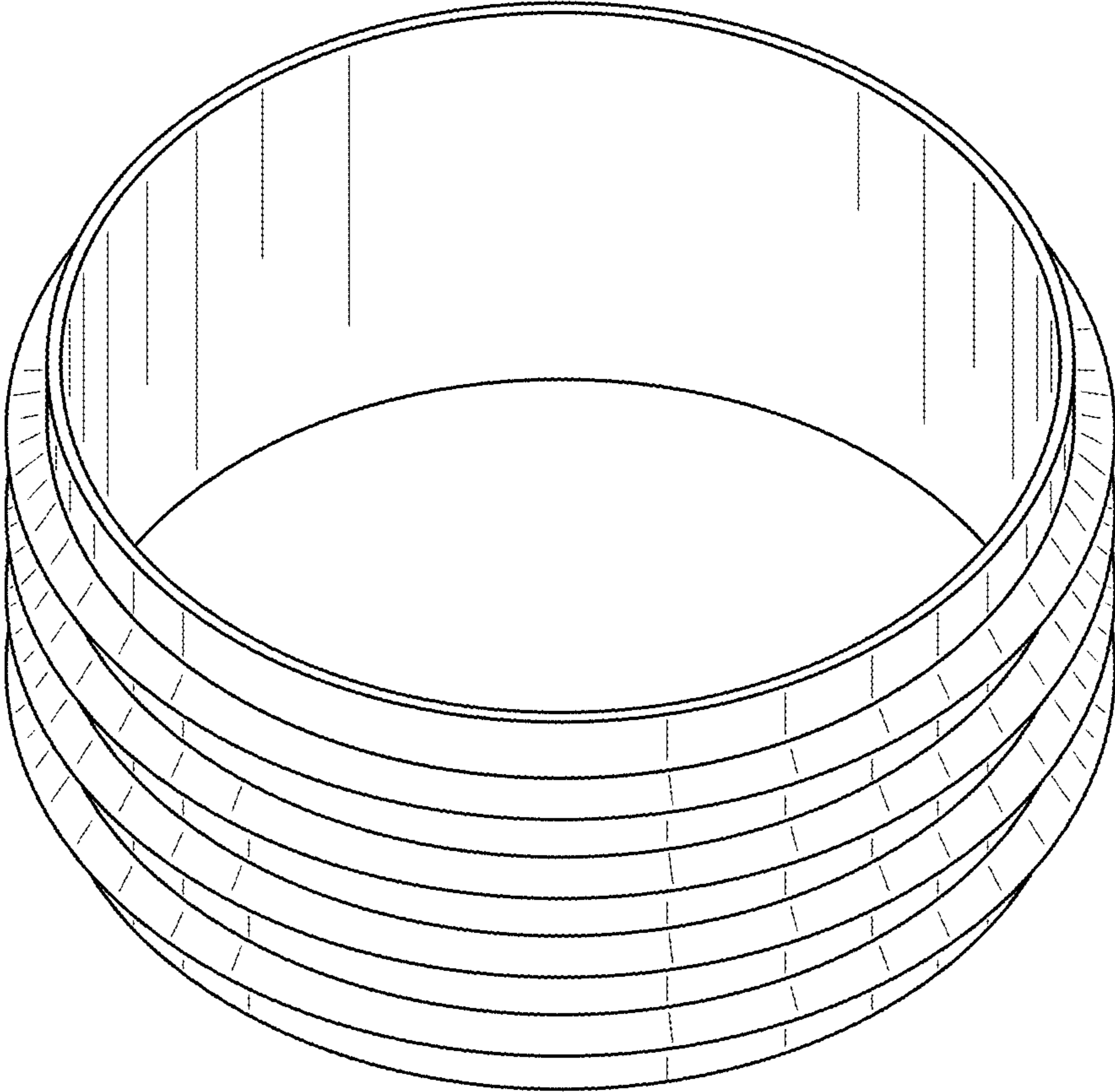


FIG. 1

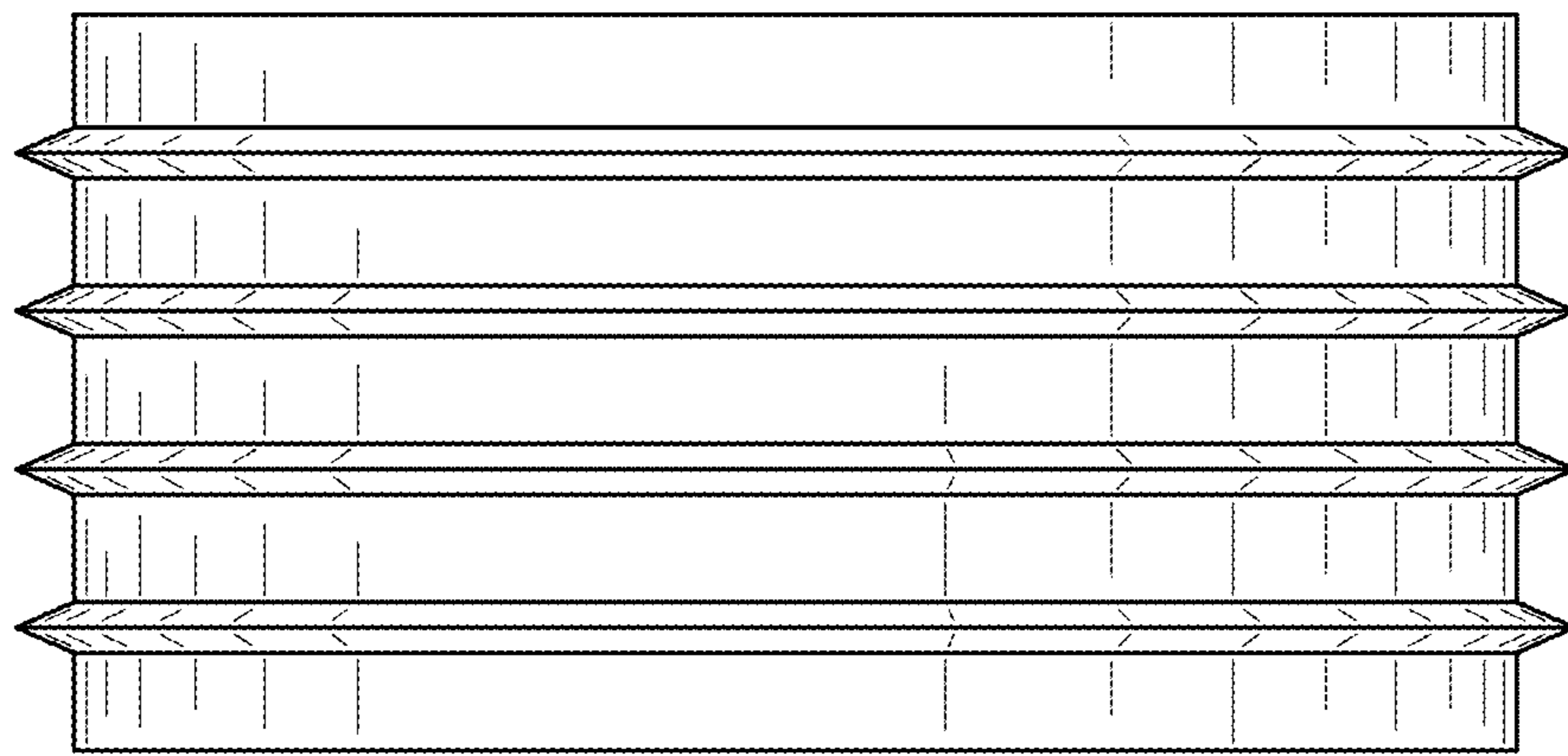


FIG. 2

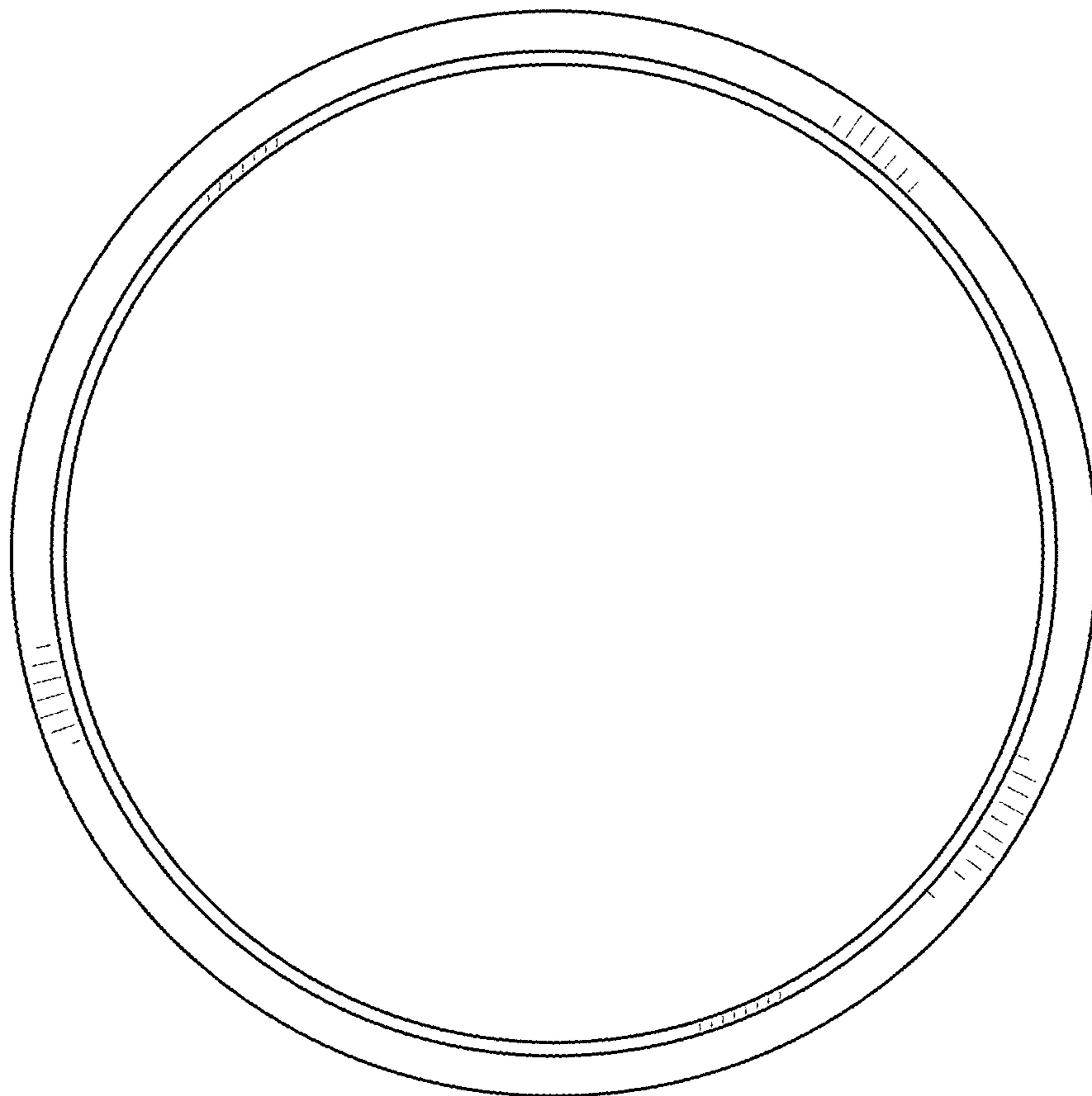


FIG. 3