



US00D776816S

(12) **United States Design Patent**  
**Haberman et al.**

(10) **Patent No.:** **US D776,816 S**  
(45) **Date of Patent:** **\*\* Jan. 17, 2017**

(54) **SEALING MEMBER FOR AN ARTIFICIAL LIMB**  
(71) Applicant: **ENGINEERED SILICONE PRODUCTS, LLC**, Newton, NJ (US)  
(72) Inventors: **Louis James Haberman**, Denville, NJ (US); **Laszlo E. Dallos**, Branchville, NJ (US)  
(73) Assignee: **ENGINEERED SILICONE PRODUCTS, LLC**, Newton, NJ (US)  
(\*\*) Term: **14 Years**

6,508,842 B1 \* 1/2003 Caspers ..... A61F 2/5046 623/32  
6,645,253 B2 \* 11/2003 Caspers ..... A61F 2/7812 623/26  
6,974,484 B2 \* 12/2005 Caspers ..... A61F 2/7812 623/32  
7,455,696 B2 \* 11/2008 Bisbee, III ..... A61F 2/5044 623/45  
7,922,775 B2 \* 4/2011 Caspers ..... A61F 2/5046 601/9  
8,114,167 B2 \* 2/2012 Caspers ..... A61F 2/7812 623/34  
8,491,667 B2 \* 7/2013 Dillingham ..... A61F 2/78 623/32  
8,758,449 B2 \* 6/2014 Caspers ..... A61F 2/5046 623/34

(21) Appl. No.: **29/493,440**  
(22) Filed: **Jun. 10, 2014**  
(51) **LOC (10) Cl.** ..... **24-02**  
(52) **U.S. Cl.** ..... **D24/155**  
USPC ..... **D24/155**  
(58) **Field of Classification Search**  
USPC ..... D24/155; D23/269  
CPC ..... A61F 2/80; A61F 2/5046; A61F 2/60; A61F 2/601; A61F 2/602; A61F 2/604; A61F 2002/7818; A61F 2002/5053; A61F 2002/607; A61F 2002/608  
See application file for complete search history.

\* cited by examiner

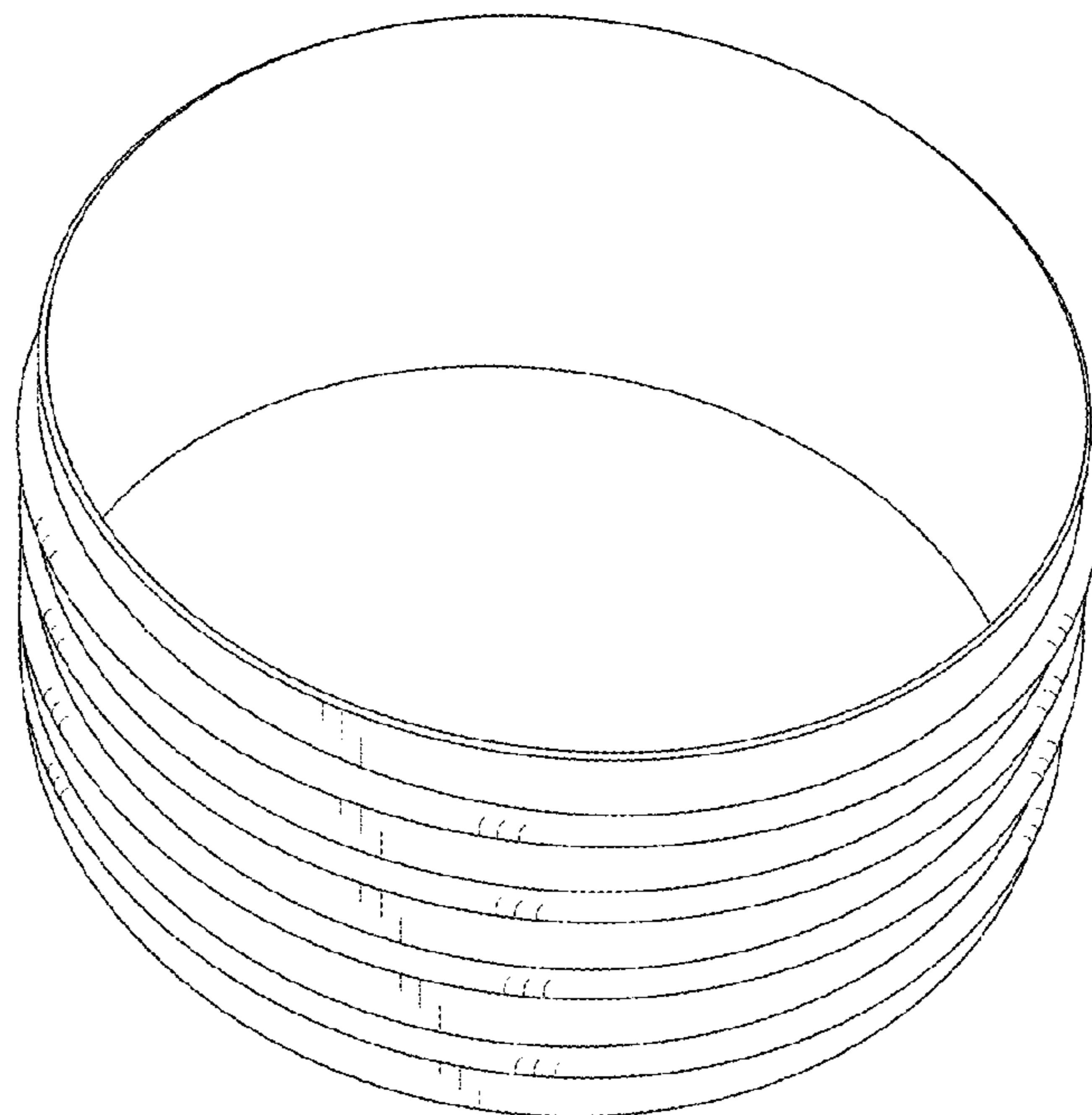
*Primary Examiner* — Charles Hanson  
(74) *Attorney, Agent, or Firm* — Porzio, Bromberg & Newman P.C.

(56) **References Cited**  
U.S. PATENT DOCUMENTS  
5,549,709 A \* 8/1996 Caspers ..... A61F 2/5046 623/24  
5,735,906 A \* 4/1998 Caspers ..... A61F 2/5046 623/34

(57) **CLAIM**  
The ornamental design for a sealing member for an artificial limb, as shown and described.

**DESCRIPTION**  
FIG. 1 is a perspective view of a sealing member for an artificial limb in accordance with our design.  
FIG. 2 is a front side view thereof, it being understood that the left side view, the right side view and the rear side view are each identical thereto; and,  
FIG. 3 is a top side view thereof, it being understood that the bottom side view is identical thereto.

**1 Claim, 2 Drawing Sheets**



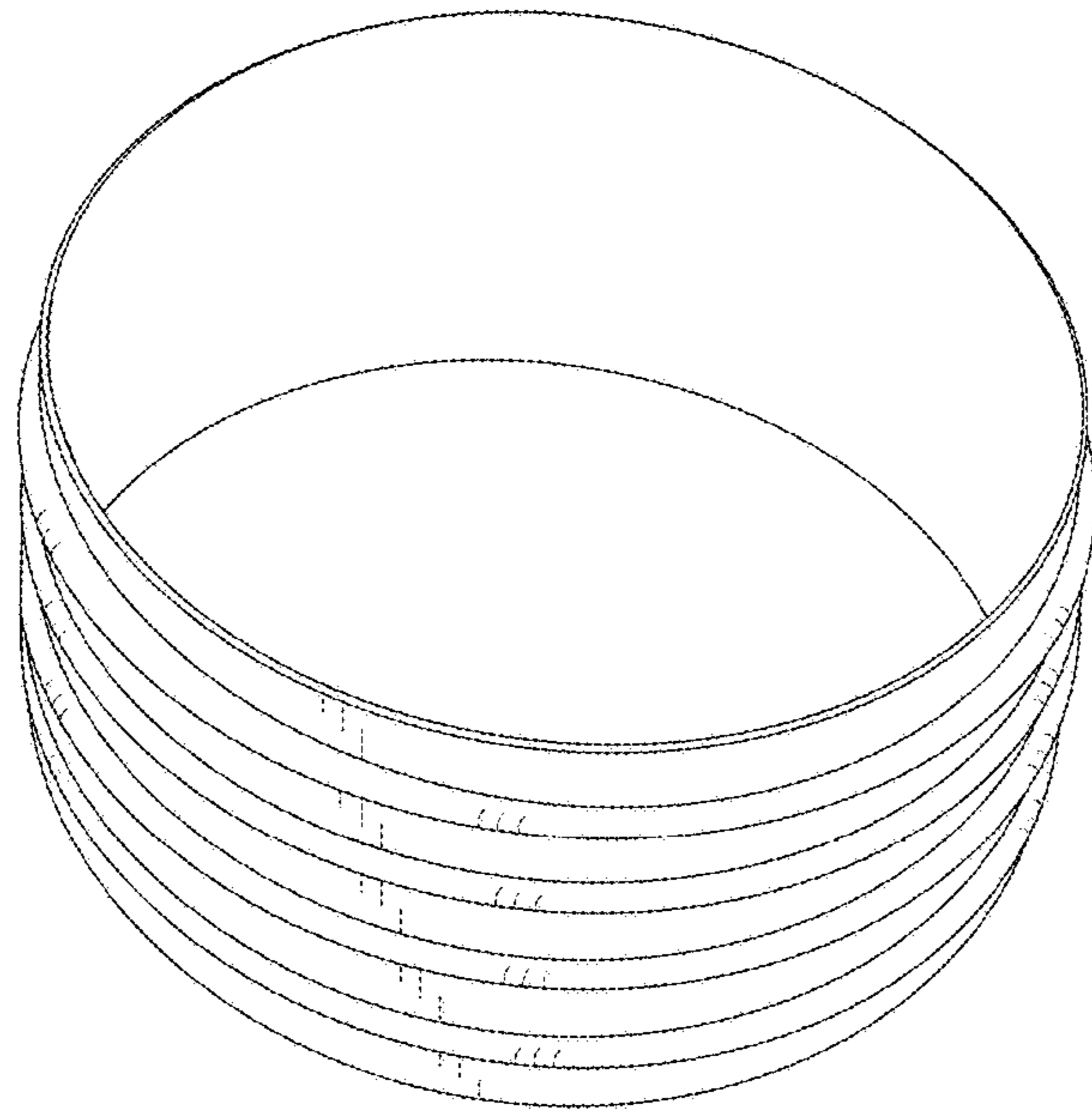


Fig. 1

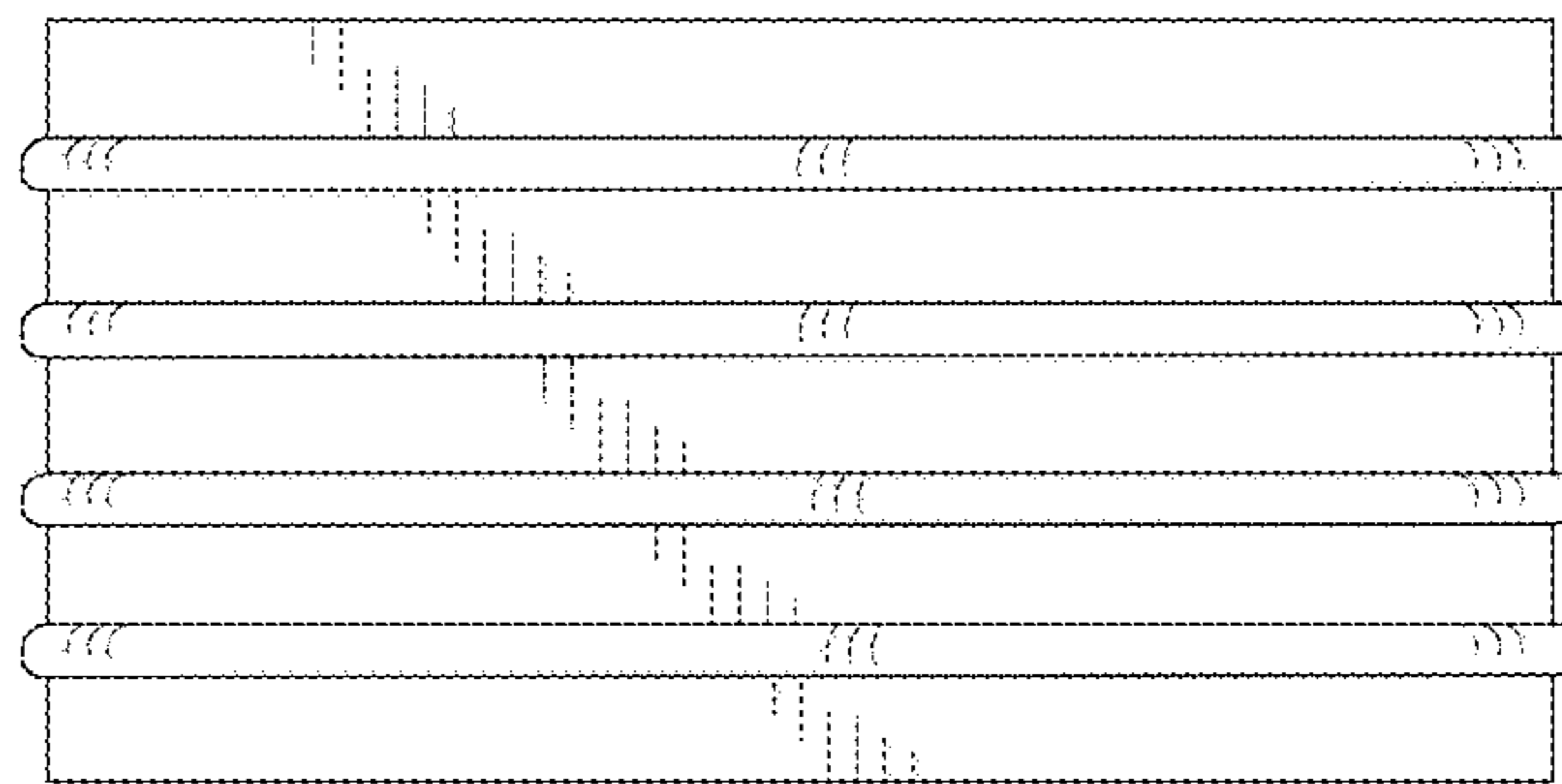


Fig. 2

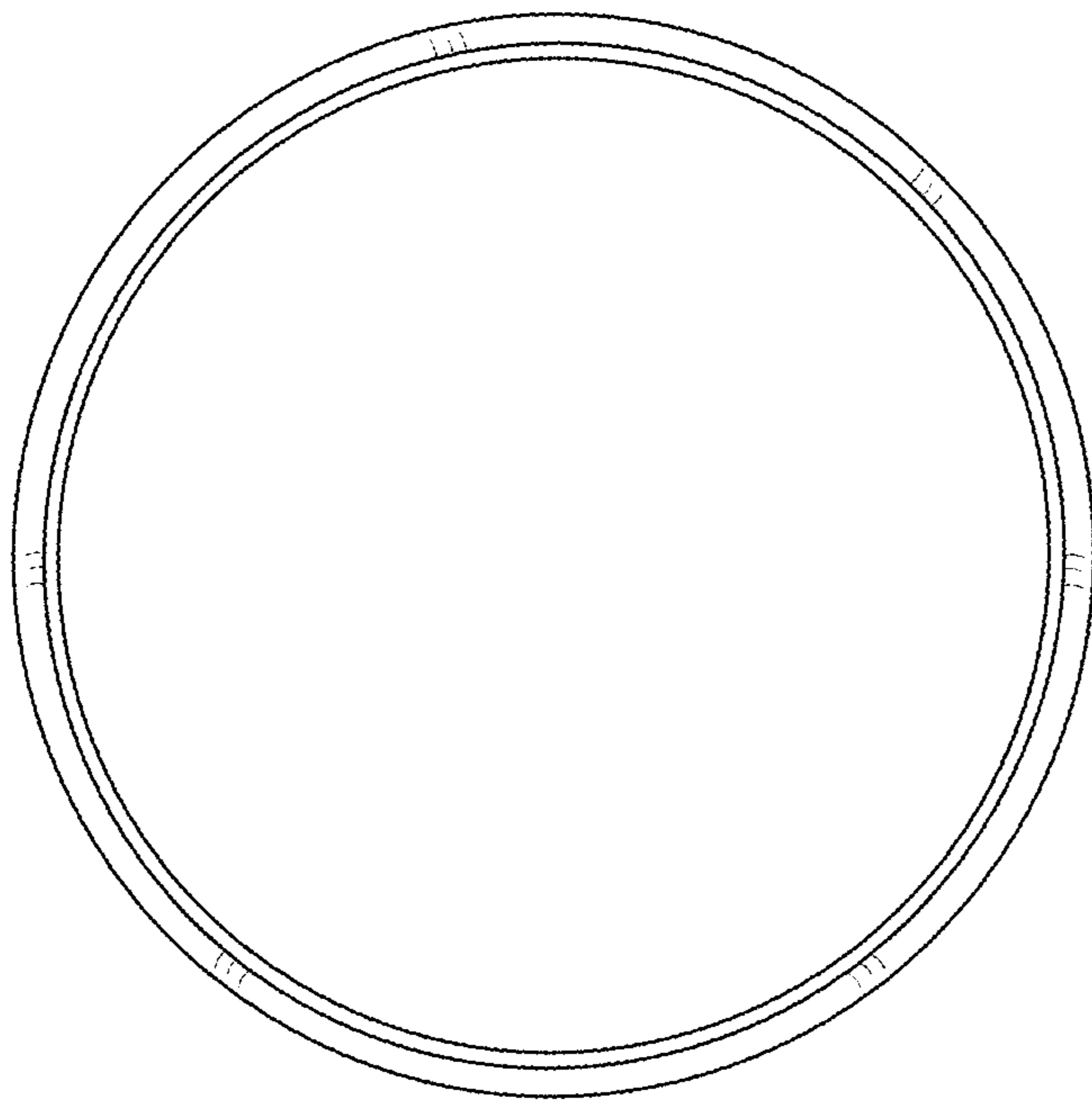


Fig. 3