



US00D776815S

(12) **United States Design Patent** (10) **Patent No.:** **US D776,815 S**
Carron (45) **Date of Patent:** **** Jan. 17, 2017**

(54) **DENTAL HANDPIECE NOSECONE**
(71) Applicant: **AVID, Inc.**, Bloomsdale, MO (US)
(72) Inventor: **Chris J. Carron**, Bloomsdale, MO (US)
(73) Assignee: **Avid, Inc.**, Bloomsdale, MO (US)
(**) Term: **15 Years**

D323,395 S * 1/1992 Meller D24/146
5,120,220 A 6/1992 Butler
5,156,547 A 10/1992 Bailey
5,178,538 A 1/1993 Eckert
5,209,658 A 5/1993 Brahler
5,328,369 A 7/1994 Bailey
5,340,310 A 8/1994 Bifulk
(Continued)

(21) Appl. No.: **29/529,887**
(22) Filed: **Jun. 11, 2015**

FOREIGN PATENT DOCUMENTS

AU 2010201843 A1 5/2010
BR PI0607986-5 A2 10/2009
WO WO2006/099469 9/2006

(51) **LOC (10) Cl.** **24-02**
(52) **U.S. Cl.**
USPC **D24/152**
(58) **Field of Classification Search**
USPC D24/133, 146, 152
CPC A61C 17/00; A61C 17/005; A61C 17/16;
A61C 1/10; A61C 1/12; A61C 1/141
See application file for complete search history.

OTHER PUBLICATIONS

American National Standard Institute/American Dental Association (ANSI/ADA) Specification No. 85—Part 1 (Aug. 25, 2004).

Primary Examiner — Wan Laymon
(74) *Attorney, Agent, or Firm* — Harness, Dickey & Pierce, P.L.C.

(56) **References Cited**

(57) **CLAIM**

The ornamental design for a dental handpiece nosecone, as shown and described.

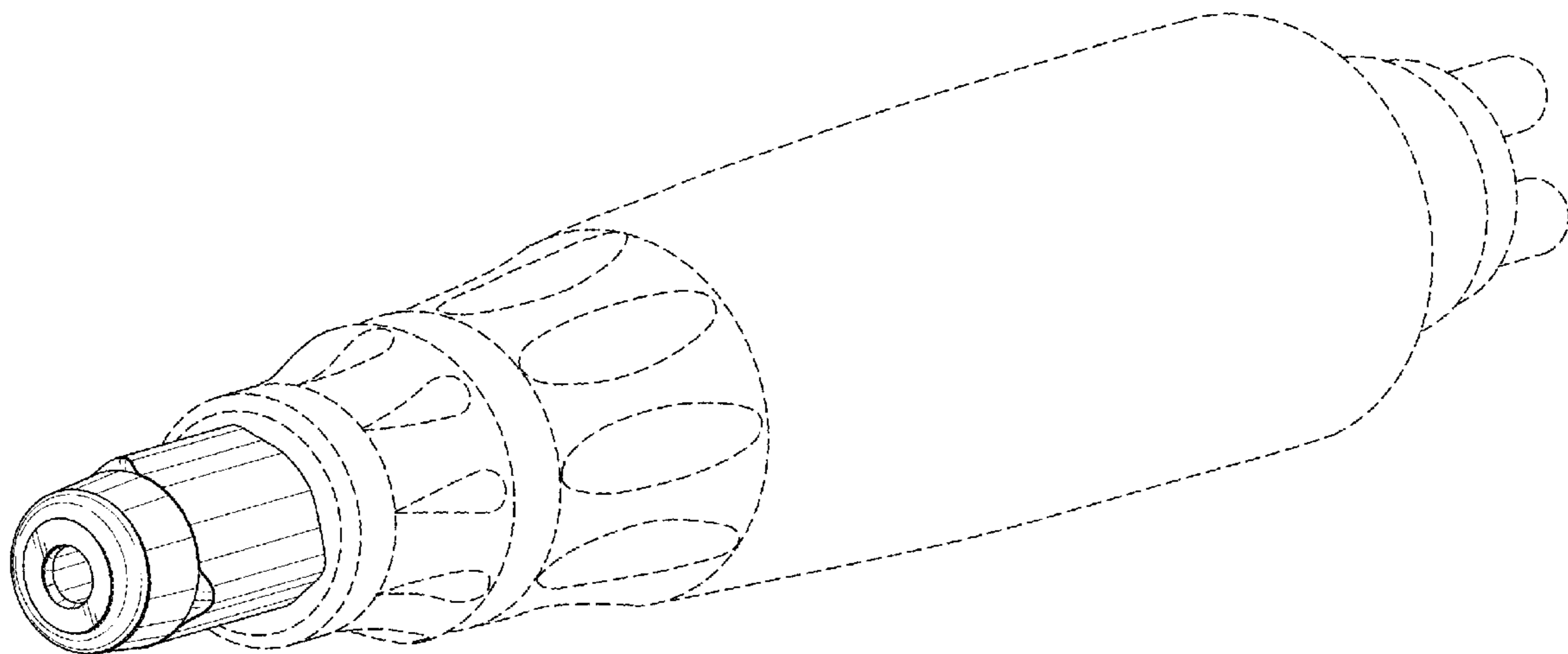
U.S. PATENT DOCUMENTS

3,163,934 A 1/1965 Wiseman
3,509,629 A 5/1970 Kidokoro et al.
3,740,853 A 6/1973 Brahler
3,769,707 A 11/1973 Condon
3,775,849 A 12/1973 Condon
3,847,154 A 11/1974 Nordin
3,939,599 A 2/1976 Henry et al.
4,053,983 A 10/1977 Flatland
4,278,429 A 7/1981 Straihammer et al.
4,310,310 A 1/1982 Bailey
4,827,552 A 5/1989 Bojar et al.
5,007,832 A 4/1991 Meller et al.
5,020,281 A 6/1991 Neff
5,020,994 A 6/1991 Huang
5,028,233 A 7/1991 Witherby
5,040,978 A 8/1991 Falcon et al.
5,062,796 A 11/1991 Rosenberg

DESCRIPTION

FIG. 1 is a perspective view of a dental handpiece nosecone shown attached to a dental handpiece;
FIG. 2 is a perspective view thereof;
FIG. 3 is a first side elevation view thereof;
FIG. 4 is a second side elevation view opposite FIG. 3 thereof;
FIG. 5 is a top view thereof; and,
FIG. 6 is a bottom view thereof.
The dashed lines showing an example dental handpiece and a base portion of the nosecone form no part of the claimed design.

1 Claim, 4 Drawing Sheets



(56)

References Cited

U.S. PATENT DOCUMENTS

5,348,473	A	9/1994	Kivlighan, Jr.	6,203,322	B1	3/2001	Kraenzle	
5,352,119	A	10/1994	Sakurai	6,257,886	B1	7/2001	Warner	
5,380,202	A	1/1995	Brahler	6,270,345	B1	8/2001	Abbott et al.	
5,433,605	A	7/1995	Stobl, Jr.	6,315,559	B1	11/2001	Nakanishi	
5,482,461	A	1/1996	Yale	6,382,971	B1	5/2002	Randolph	
5,484,284	A	1/1996	Bailey	6,579,093	B2	6/2003	Bailey et al.	
5,496,218	A	3/1996	Brahler	6,655,015	B2	12/2003	Kraenzle	
5,498,159	A *	3/1996	Coss A61C 17/005 433/125	D533,276	S *	12/2006	Nakanishi D24/152	
5,529,495	A	6/1996	Edwards	7,153,133	B1	12/2006	Chia et al.	
5,531,599	A	7/1996	Bailey	7,160,108	B2	1/2007	Jaffe	
5,549,634	A	8/1996	Scott et al.	7,255,559	B2	8/2007	Shen et al.	
5,571,012	A	11/1996	Witherby et al.	7,338,285	B1	3/2008	Balaban	
5,575,799	A	11/1996	Bolanos et al.	7,422,433	B2	9/2008	Carron et al.	
5,642,995	A	7/1997	Bailey	7,762,813	B2	7/2010	Seals et al.	
5,645,426	A	7/1997	Grim et al.	7,955,079	B2	6/2011	Chronister et al.	
5,674,068	A	10/1997	Eibofner	8,123,523	B2	2/2012	Carron et al.	
5,683,247	A	11/1997	Bailey	8,360,774	B2	1/2013	Carron et al.	
5,692,901	A	12/1997	Roth et al.	8,459,992	B2	6/2013	Carron et al.	
5,730,595	A	3/1998	Bailey	8,597,022	B2	12/2013	Carron et al.	
5,797,744	A	8/1998	Rosenberg	8,668,494	B2	3/2014	Carron et al.	
5,871,353	A	2/1999	Pierce et al.	8,764,442	B2	7/2014	Mansour	
5,902,107	A	5/1999	Lowell	8,777,615	B2	7/2014	Hayman et al.	
5,911,577	A	6/1999	Henrikson	8,784,102	B1	7/2014	Kumar	
5,924,864	A	7/1999	Logé et al.	8,814,566	B2	8/2014	Carron et al.	
5,931,672	A	8/1999	Postal et al.	8,834,159	B2	9/2014	Carron et al.	
5,941,705	A	8/1999	Makris et al.	D716,946	S	11/2014	Wilson	
5,964,590	A	10/1999	Loddeke et al.	9,289,271	B2 *	3/2016	Kimura A61C 1/10	
5,980,248	A	11/1999	Kusakabe et al.	2006/0292522	A1 *	12/2006	Lees A61C 17/005 433/116	
5,984,654	A *	11/1999	Mendoza A61C 1/05 415/141	2008/0311541	A1	12/2008	Carron et al.	
6,012,922	A	1/2000	Novak	2009/0081609	A1	3/2009	Kalbfeld et al.	
6,042,377	A	3/2000	Ito	2009/0220910	A1	9/2009	Wang	
6,050,989	A	4/2000	Fox et al.	2010/0015568	A1	1/2010	Carron et al.	
6,053,732	A	4/2000	Sale	2010/0035205	A1	2/2010	Wang et al.	
6,083,000	A	7/2000	Charlton	2011/0065063	A1	3/2011	Bock	
6,089,866	A	7/2000	Brahler	2011/0244420	A1	10/2011	Chronister et al.	
6,099,309	A	8/2000	Cardarelli	2012/0156643	A1	6/2012	Carron et al.	
6,128,397	A	10/2000	Baluja et al.	2012/0214126	A1	8/2012	Carron et al.	
6,168,433	B1	1/2001	Hamlin	2013/0130198	A1	5/2013	Carron et al.	
				2014/0141386	A1	5/2014	Madry et al.	
				2015/0079540	A1 *	3/2015	Rek A61C 17/005 433/122	

* cited by examiner

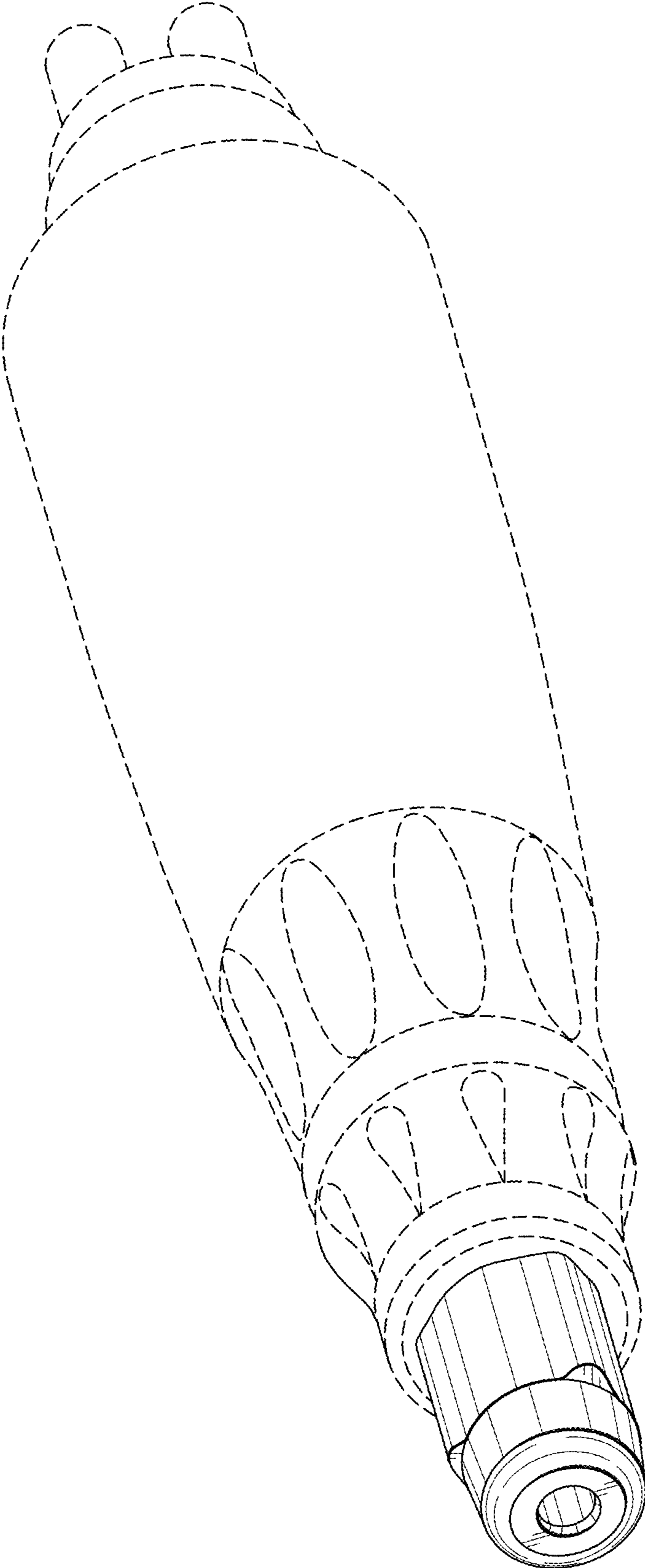


FIG. 1

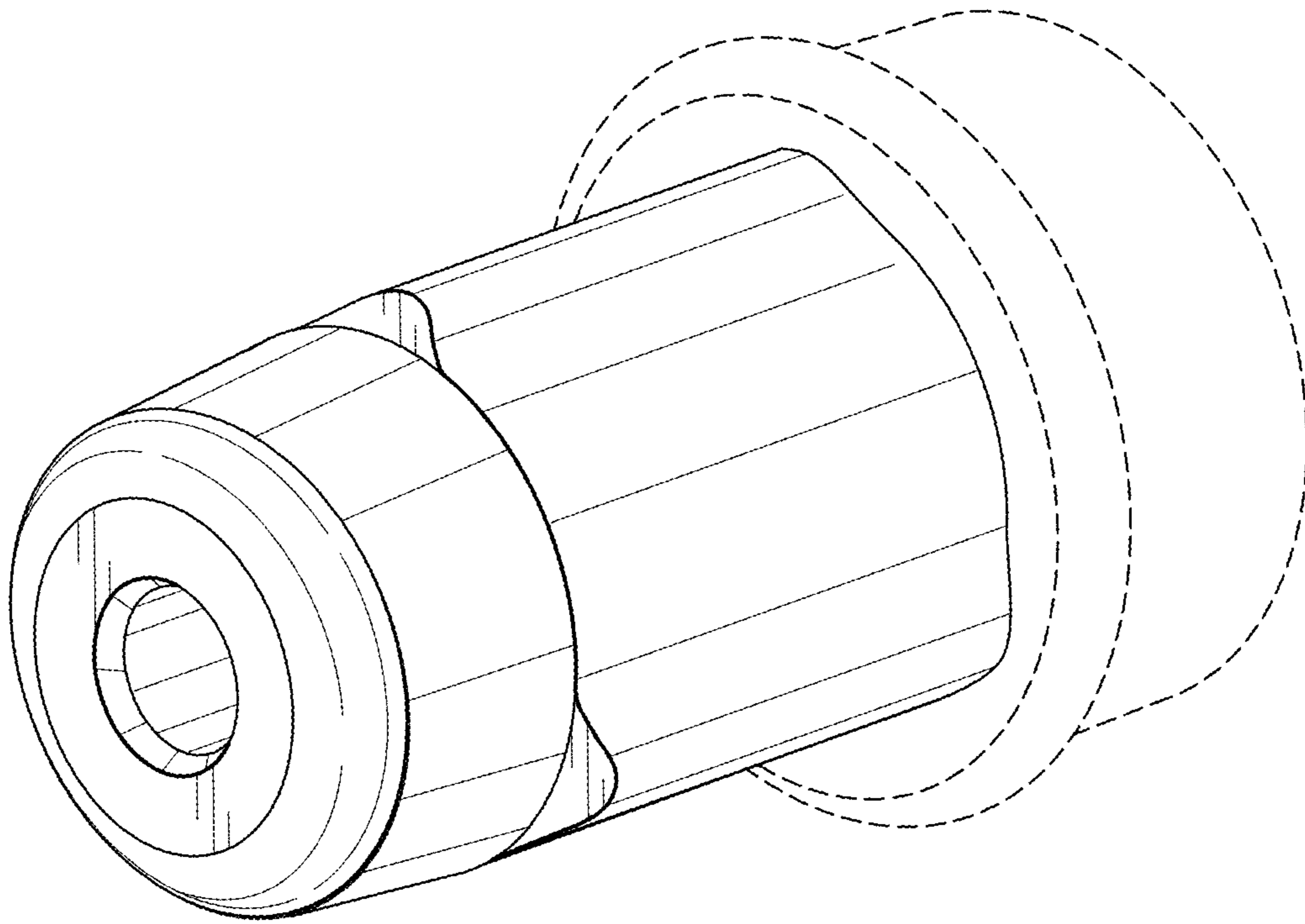


FIG. 2

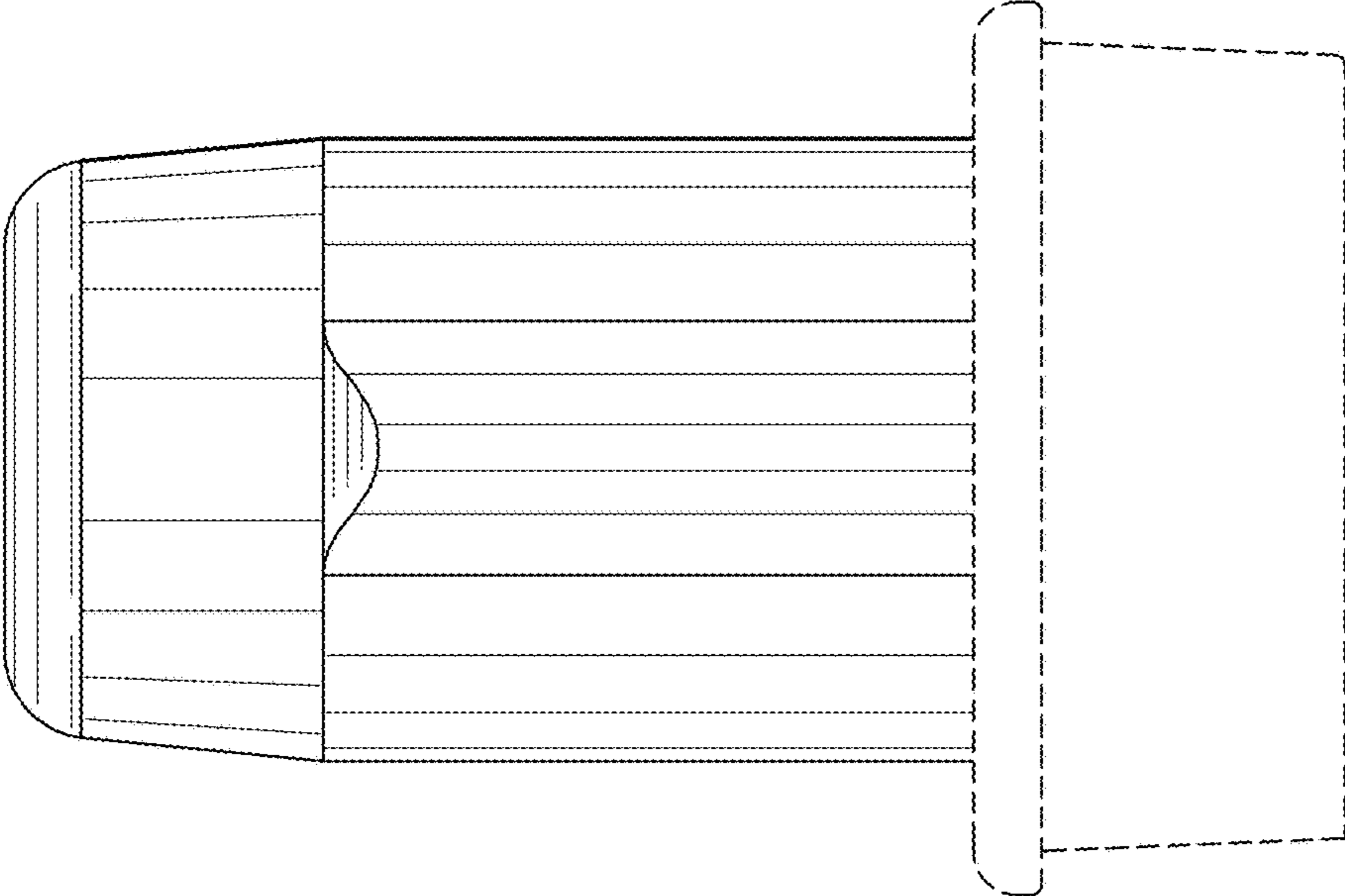


FIG. 4

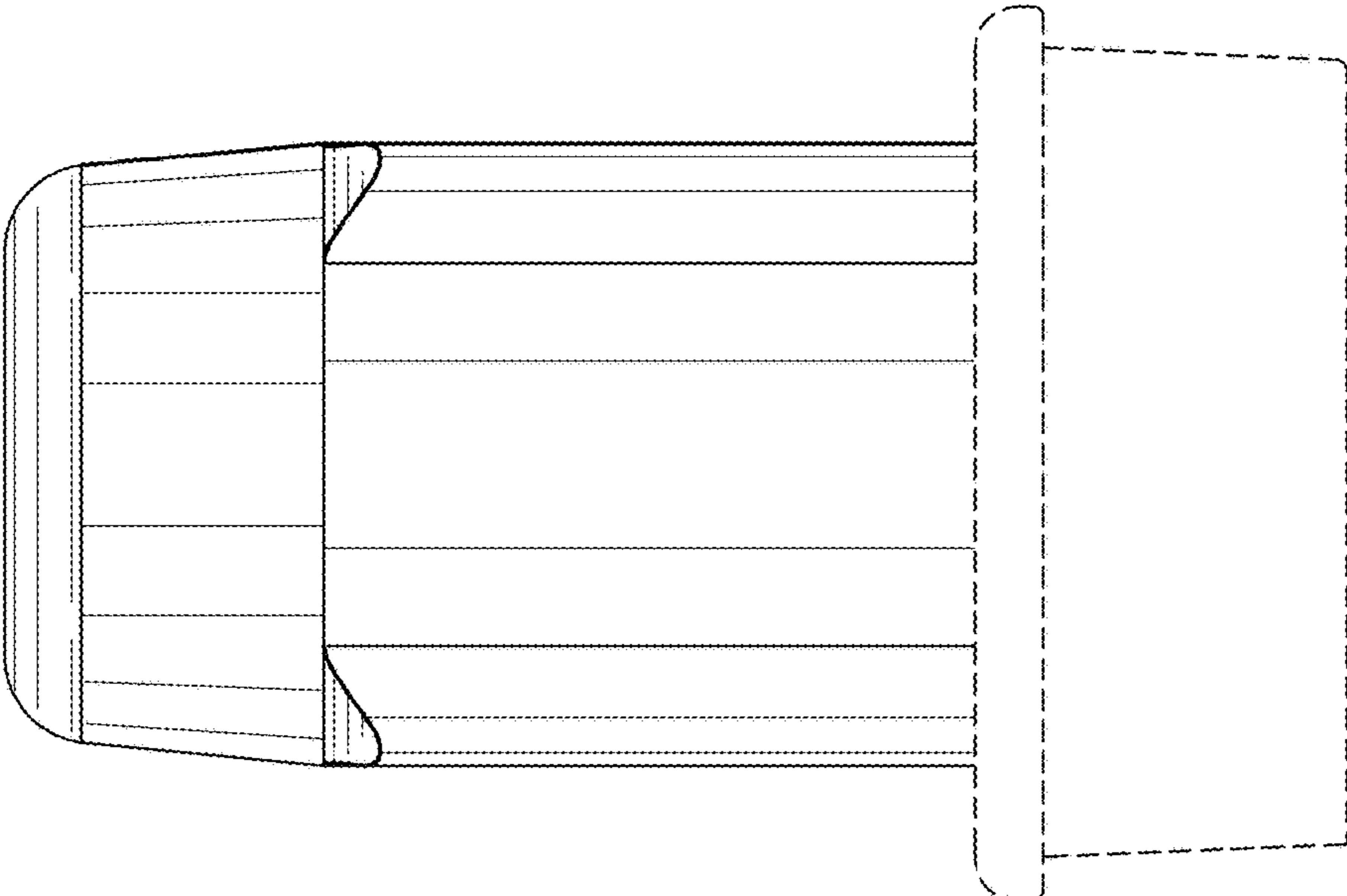


FIG. 3

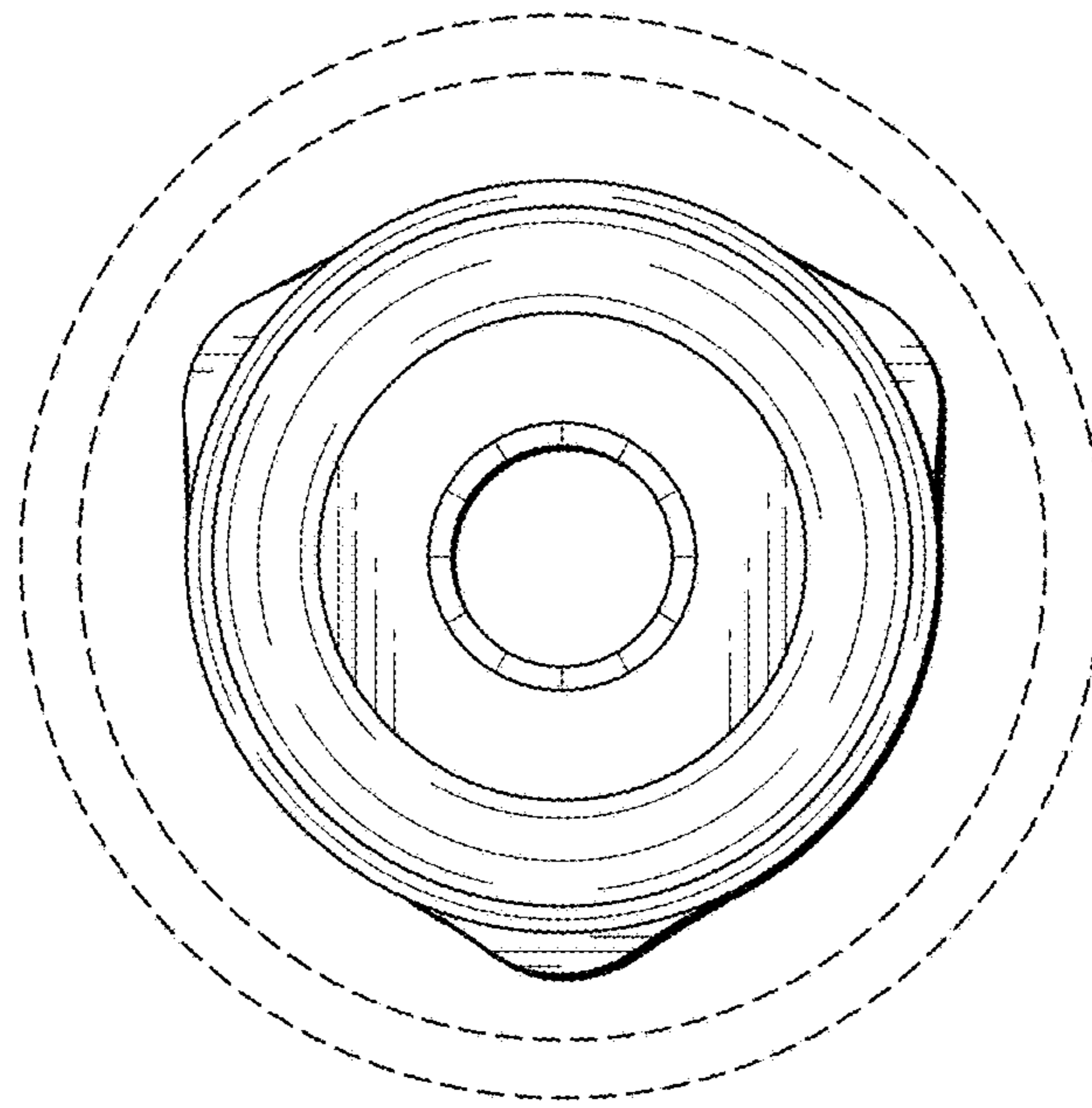


FIG. 5

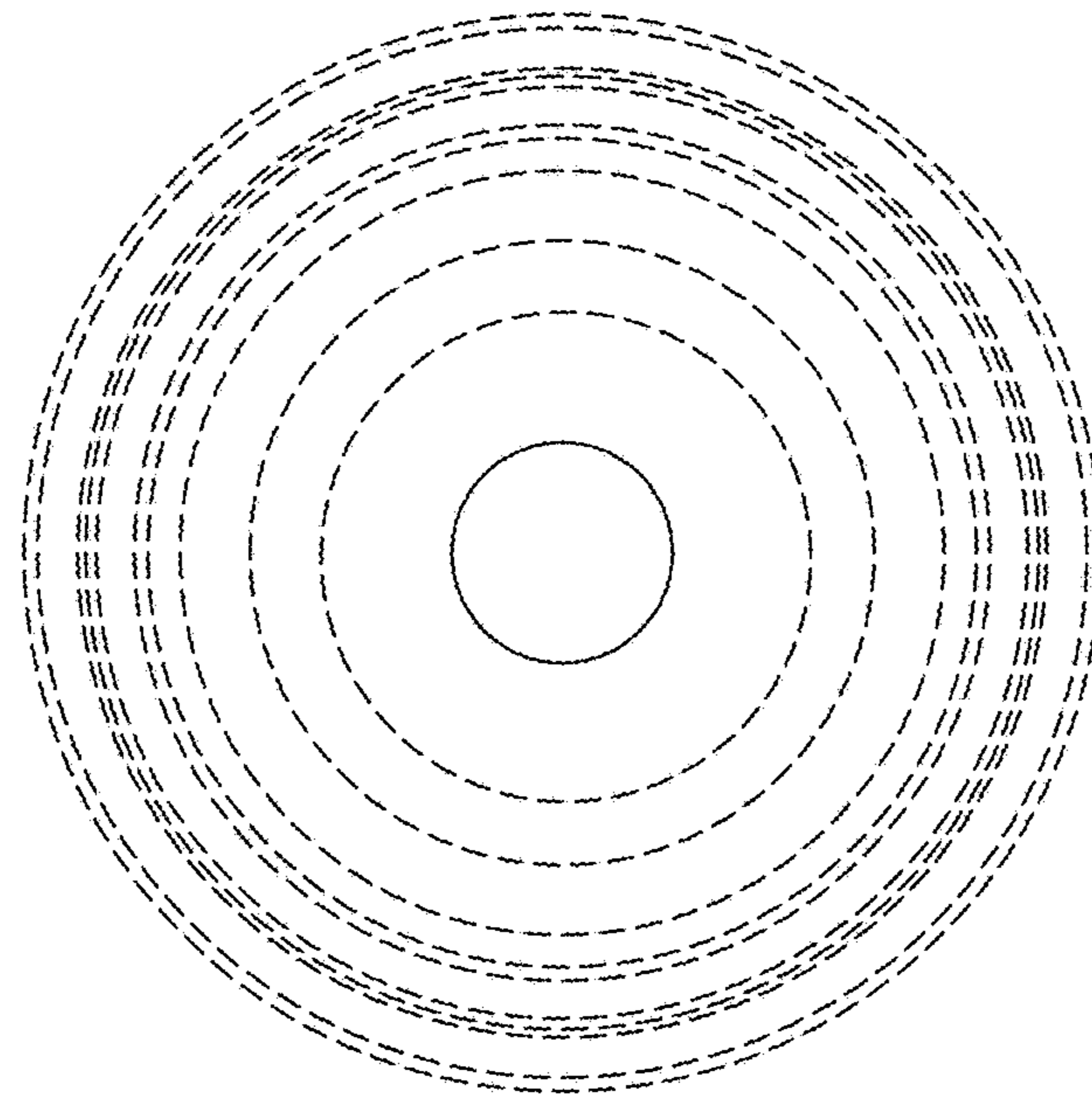


FIG. 6