



US00D776813S

(12) **United States Design Patent**
Evans

(10) **Patent No.:** **US D776,813 S**
(45) **Date of Patent:** **** Jan. 17, 2017**

(54) **TRACKING PATTERN HOLDER**

(71) Applicant: **X-Nav Technologies, LLC**, Lansdale, PA (US)

(72) Inventor: **Pete Evans**, Lafayette Hill, PA (US)

(73) Assignee: **X-Nav Technologies, LLC**, Lansdale, PA (US)

(**) Term: **14 Years**

(21) Appl. No.: **29/519,637**

(22) Filed: **Mar. 6, 2015**

Related U.S. Application Data

(63) Continuation-in-part of application No. 14/488,004, filed on Sep. 16, 2014.

(51) **LOC (10) Cl.** **24-02**

(52) **U.S. Cl.**
USPC **D24/152**

(58) **Field of Classification Search**

USPC D24/152, 154-156, 176-182, 158, 160, D24/121, 162, 231; 433/29; D26/73, 88, D26/94, 37, 39, 50; D7/700; D23/207, D23/209

CPC A61B 19/54; A61B 19/5244; A61B 6/14; A61B 6/145; A61B 2019/5437; A61B 2019/5466; A61B 2019/5231; A61B 34/20; A61B 2034/2055; A61B 2034/2068; A61C 9/0046

See application file for complete search history.

(56) **References Cited**

U.S. PATENT DOCUMENTS

D317,200 S * 5/1991 Jorneus D24/156
D519,635 S * 4/2006 Hudak D24/152

D604,412 S * 11/2009 Kobayashi D24/152
9,402,691 B2 * 8/2016 Merritt A61B 34/20
2012/0034573 A1 * 2/2012 Erdmann A61B 1/0008
433/29
2016/0074127 A1 * 3/2016 Merritt A61B 19/5244
433/29

* cited by examiner

Primary Examiner — Wan Laymon

(74) *Attorney, Agent, or Firm* — Drinker Biddle & Reath LLP

(57) **CLAIM**

The ornamental design for a tracking pattern holder, as shown and described.

DESCRIPTION

FIG. 1 is a front perspective view of a tracking pattern holder according to the present invention for use in a vision guidance system.

FIG. 2 is a right side view of the tracking pattern holder of FIG. 1.

FIG. 3 is a left side view of the tracking pattern holder of FIG. 1.

FIG. 4 is a top view of the tracking pattern holder of FIG. 1.

FIG. 5 is a bottom view of the tracking pattern holder of FIG. 1.

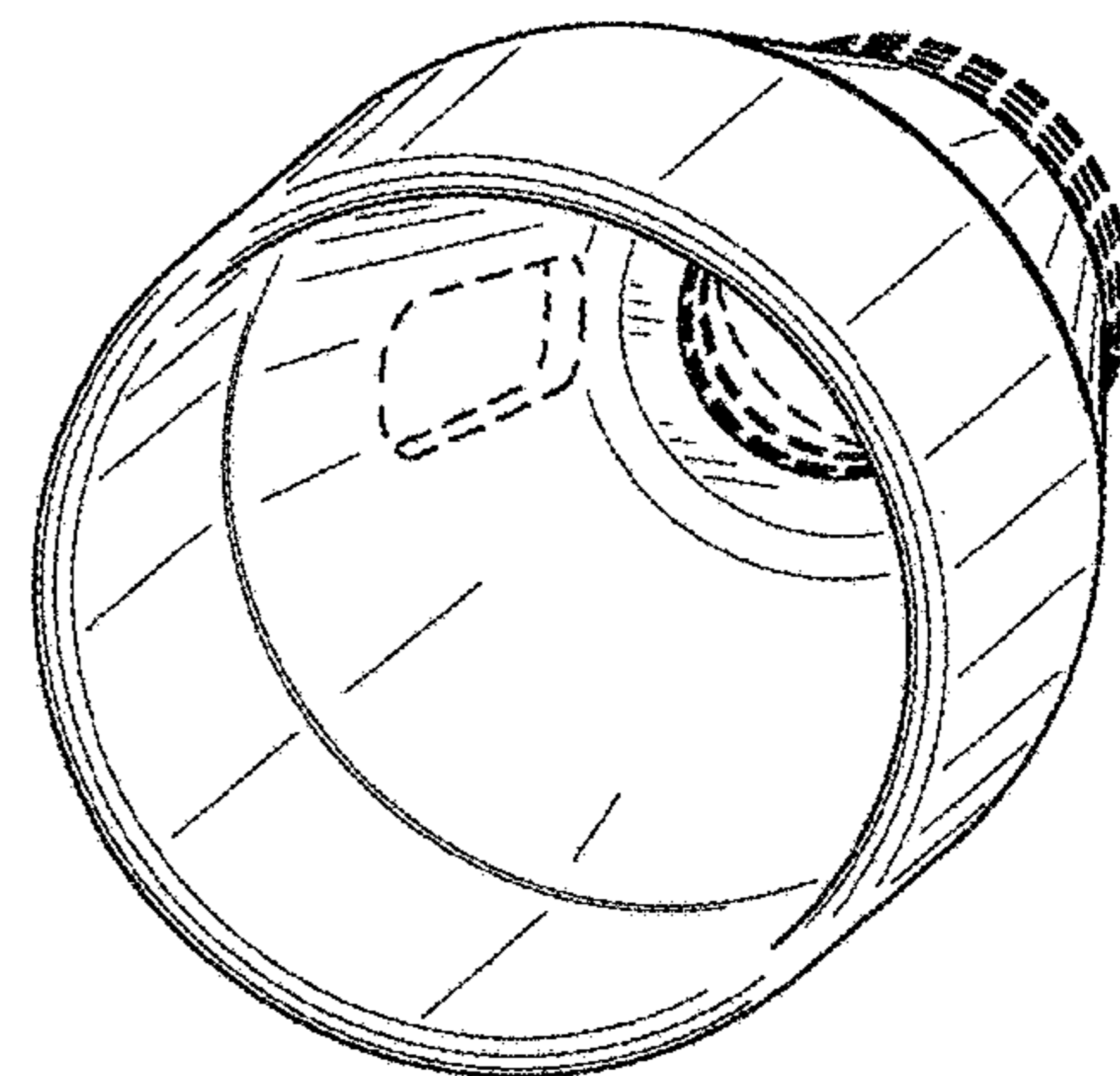
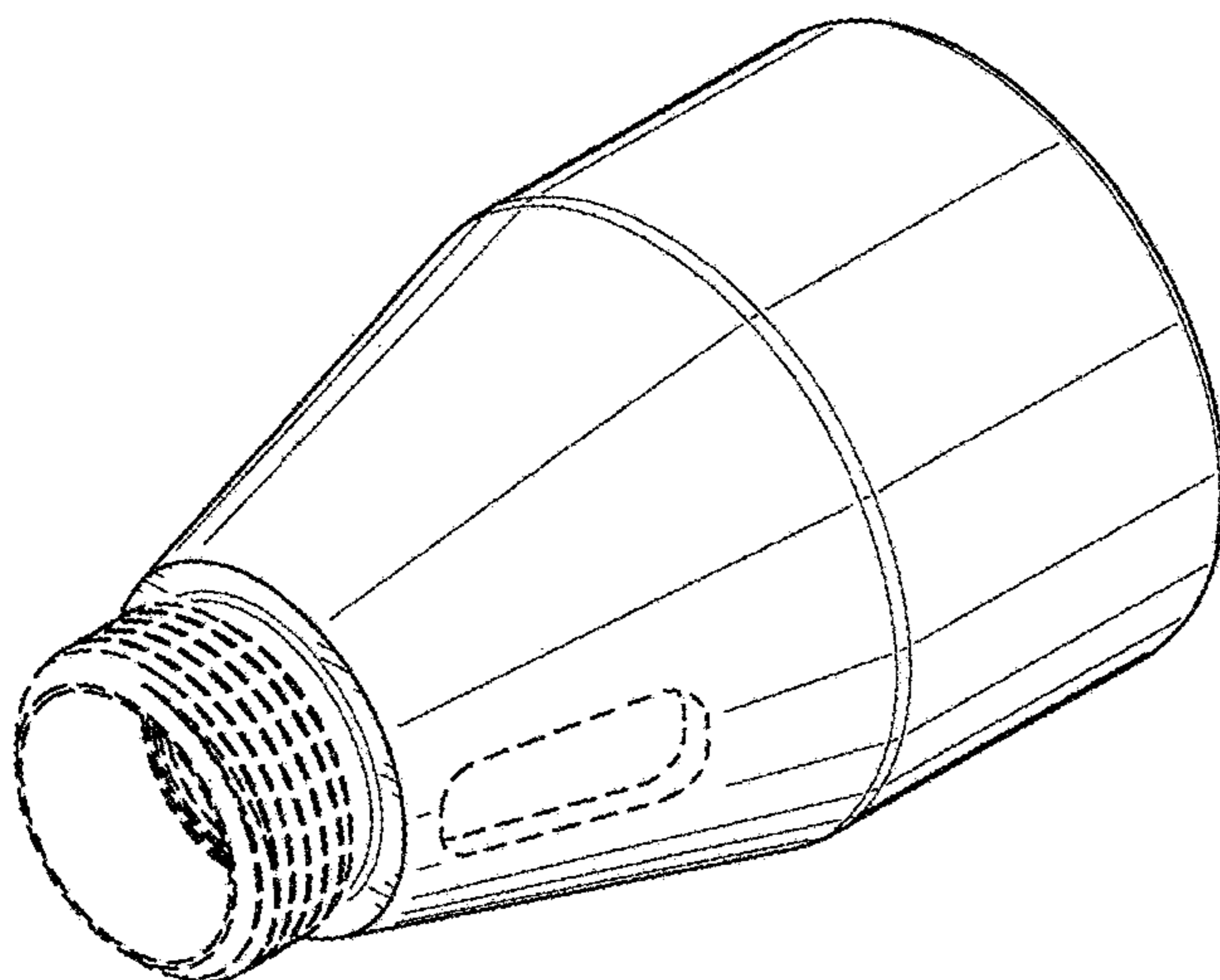
FIG. 6 is a front view of the tracking pattern holder of FIG. 1.

FIG. 7 is a rear view of the tracking pattern holder of FIG. 1; and,

FIG. 8 is a rear perspective view of the tracking pattern holder of FIG. 1.

The portions of the design shown in dashed lines do not form a part of the claimed invention.

1 Claim, 5 Drawing Sheets



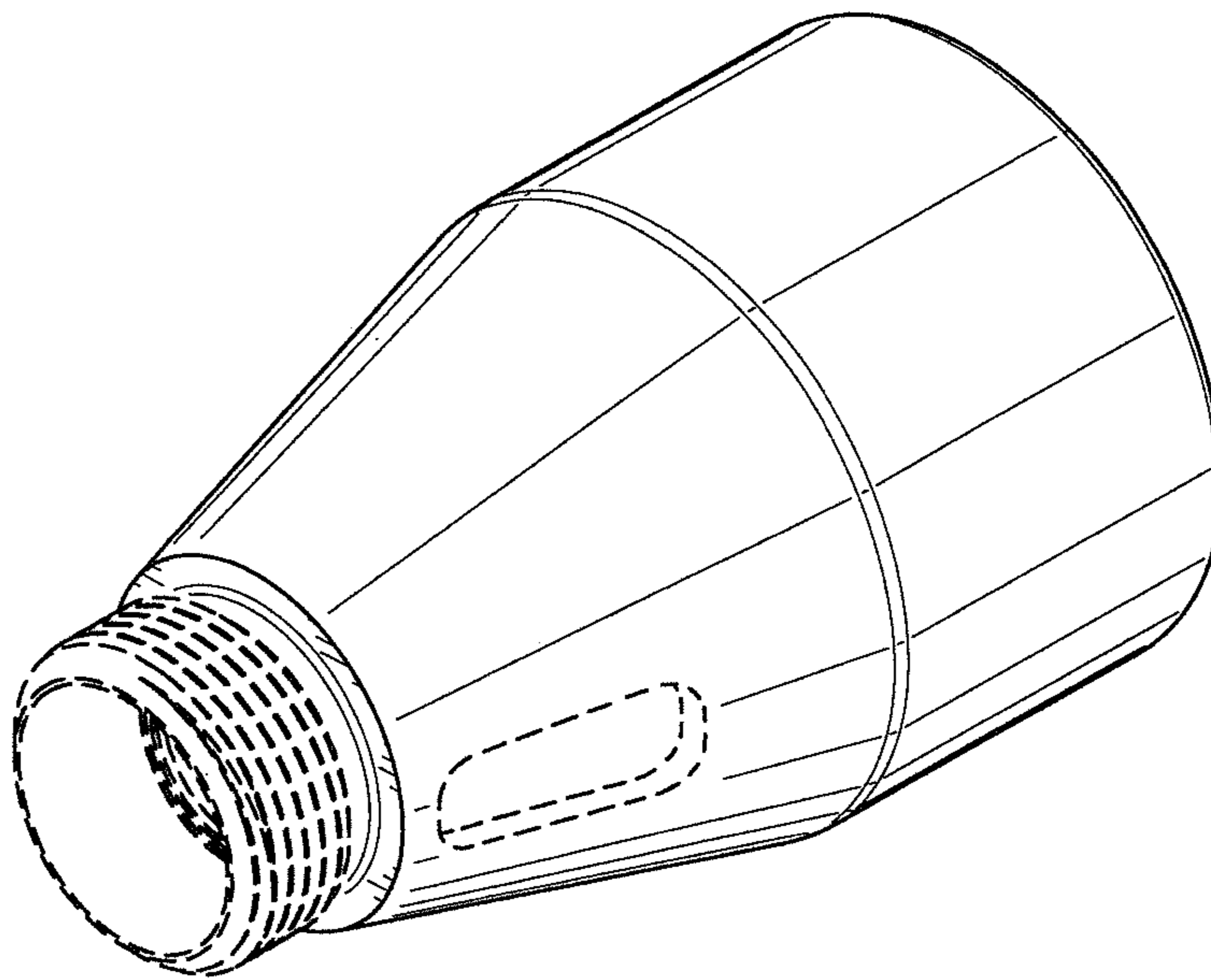


FIG. 1

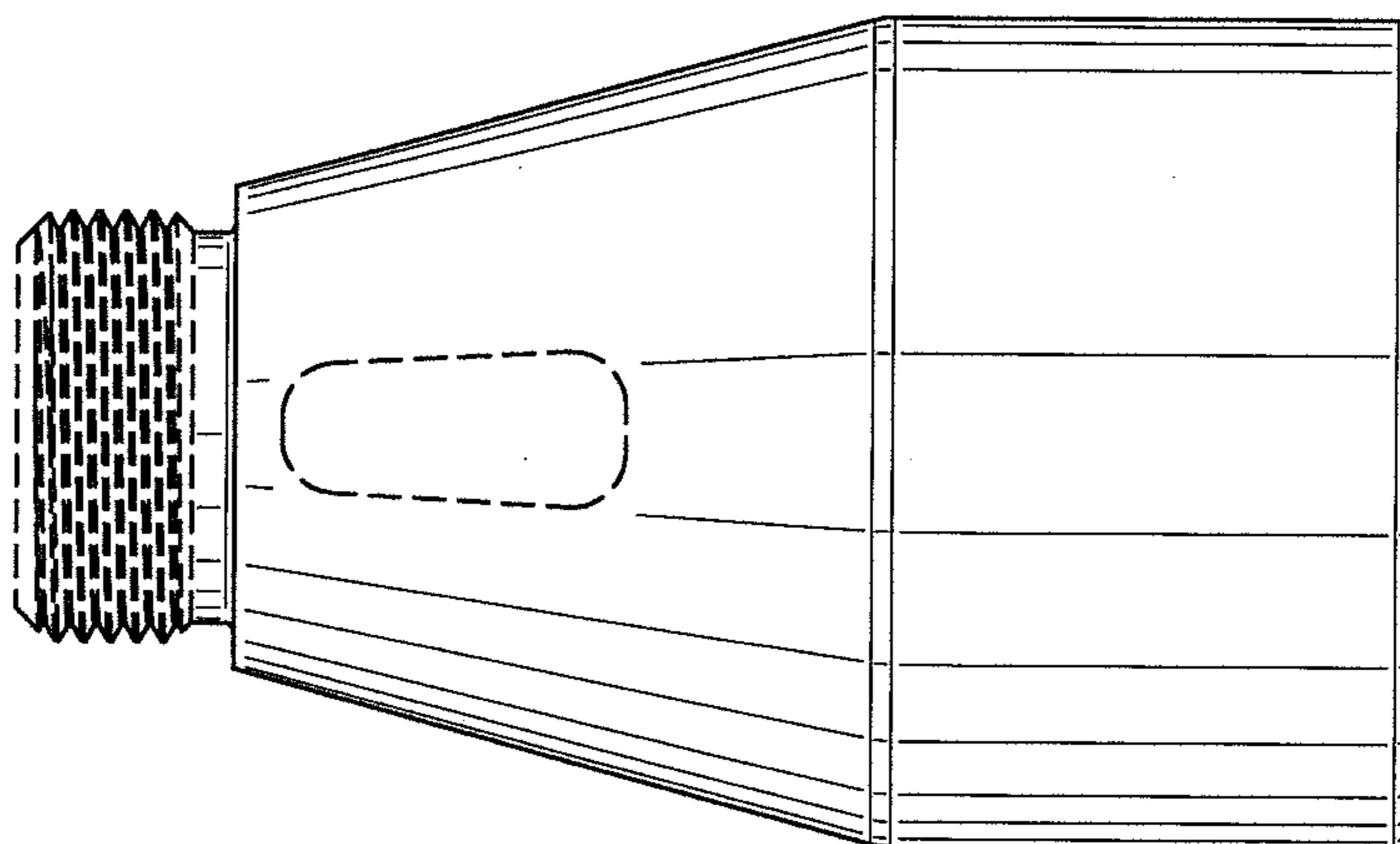


FIG. 2

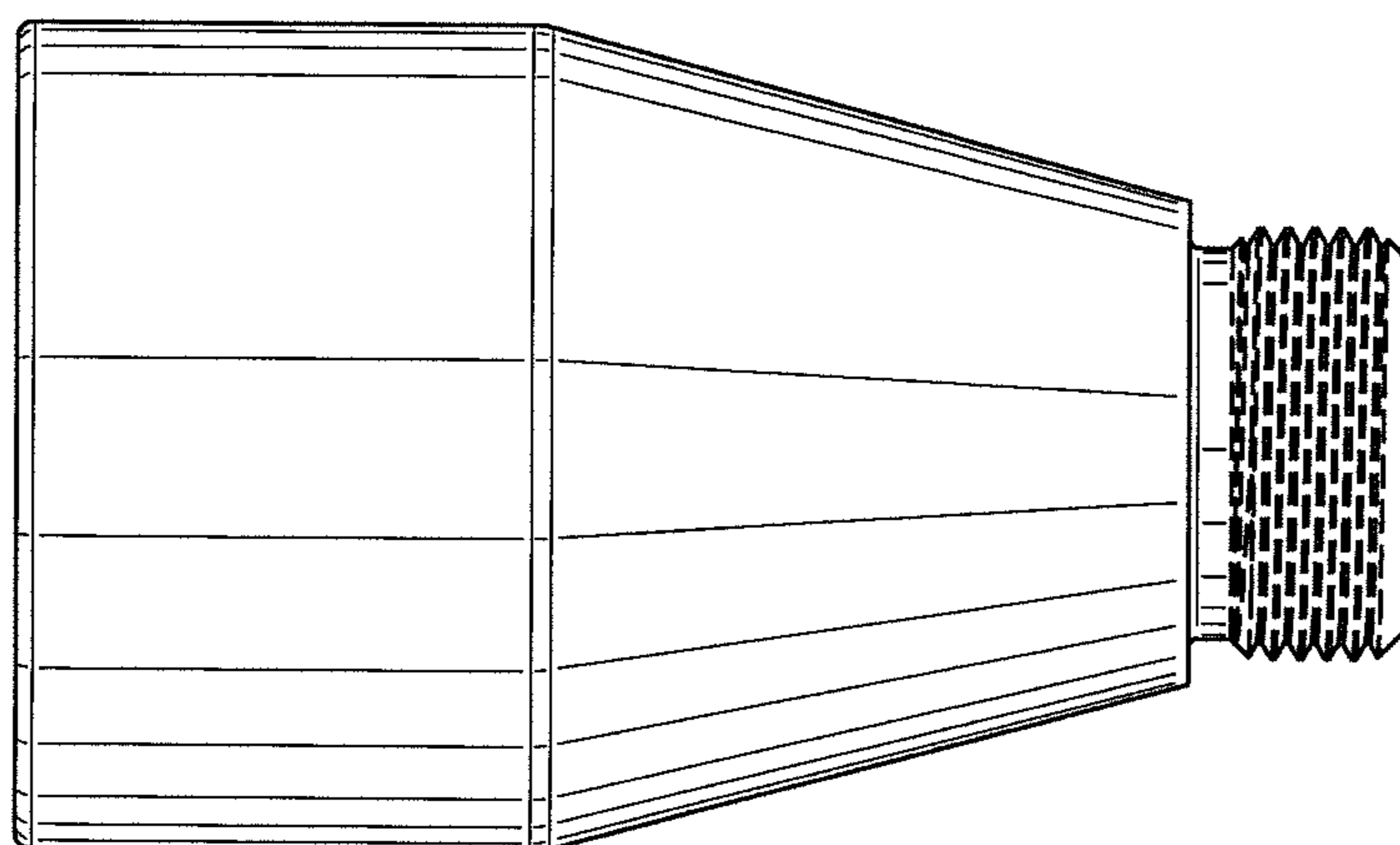


FIG. 3

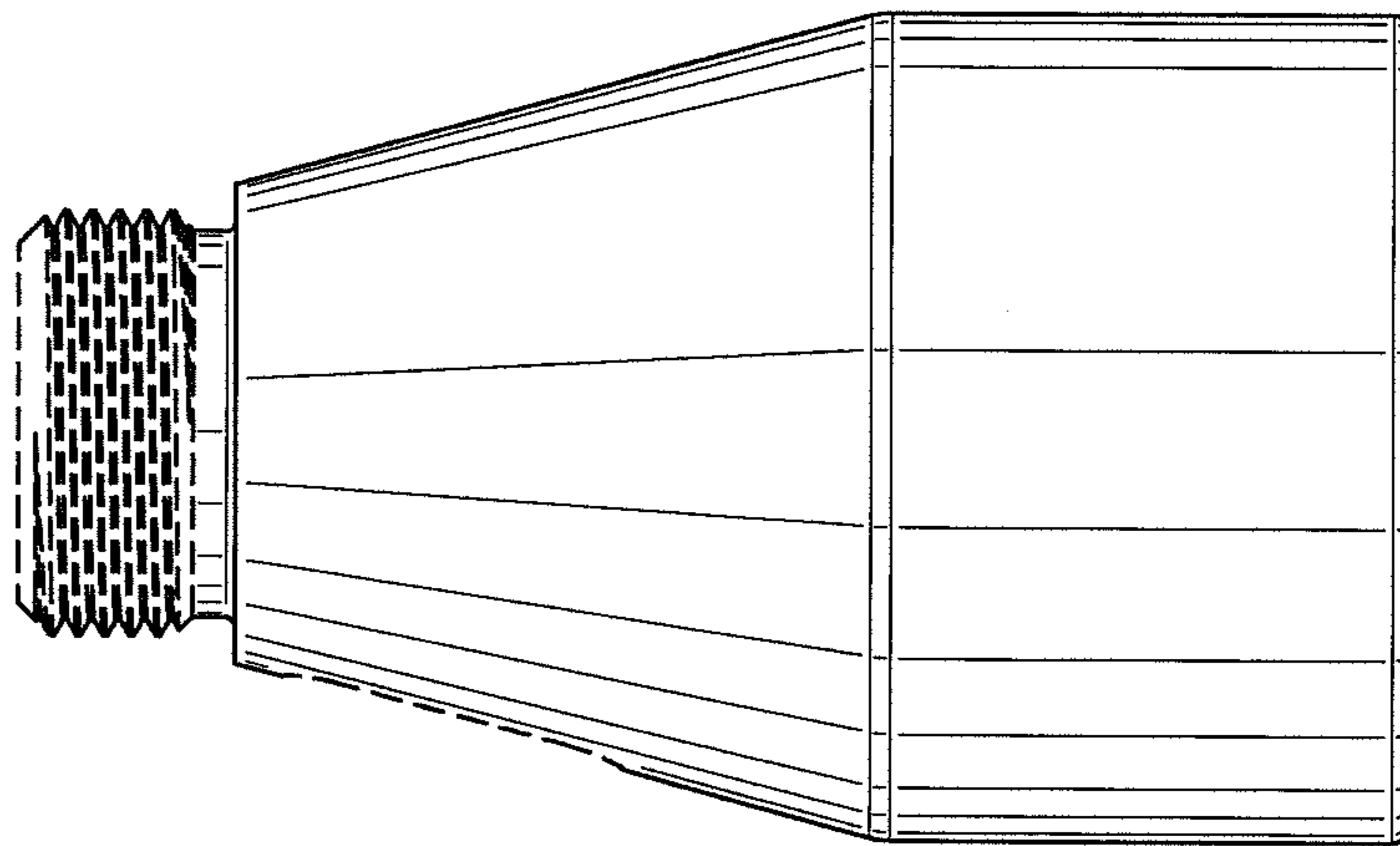


FIG. 4

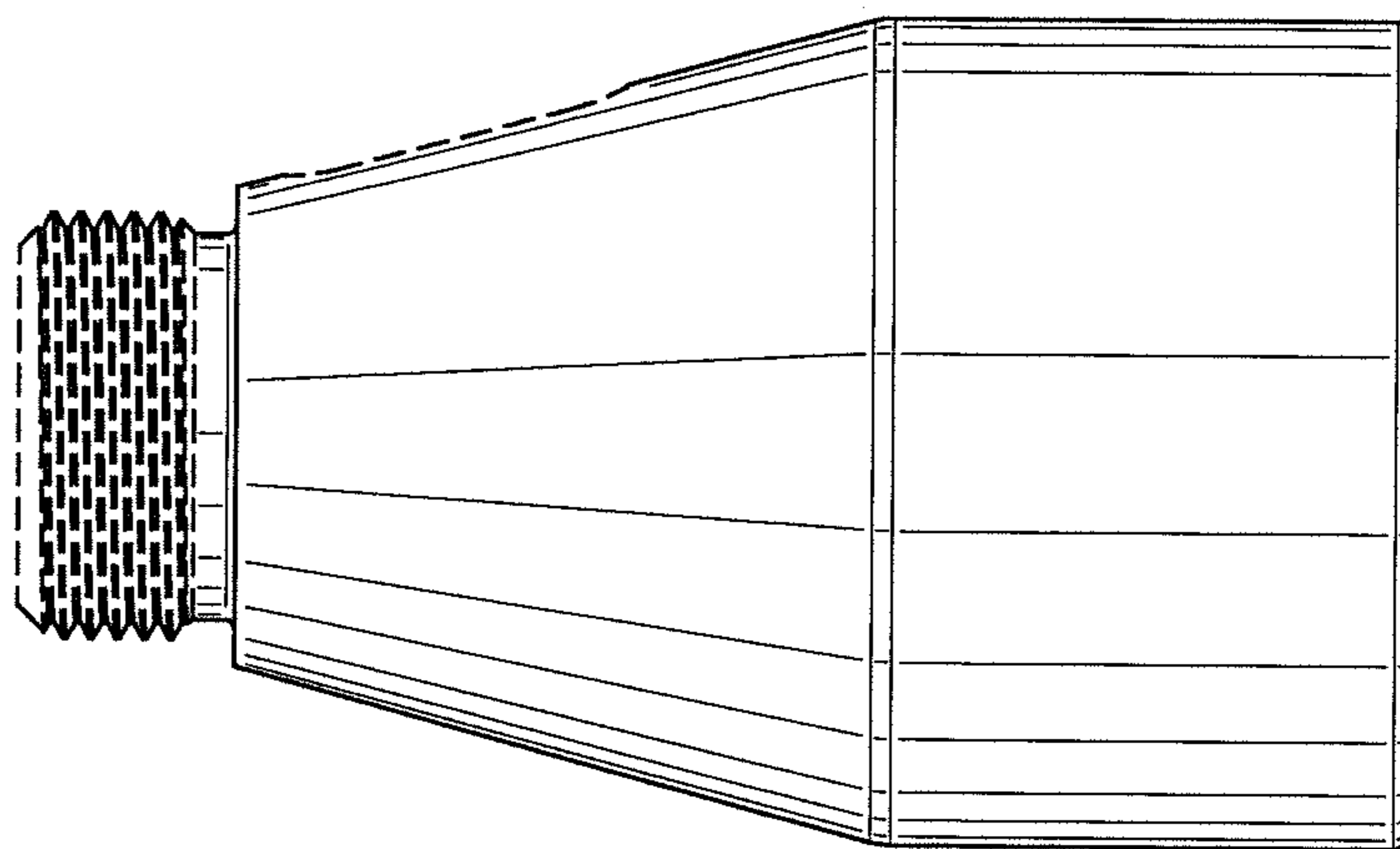


FIG. 5

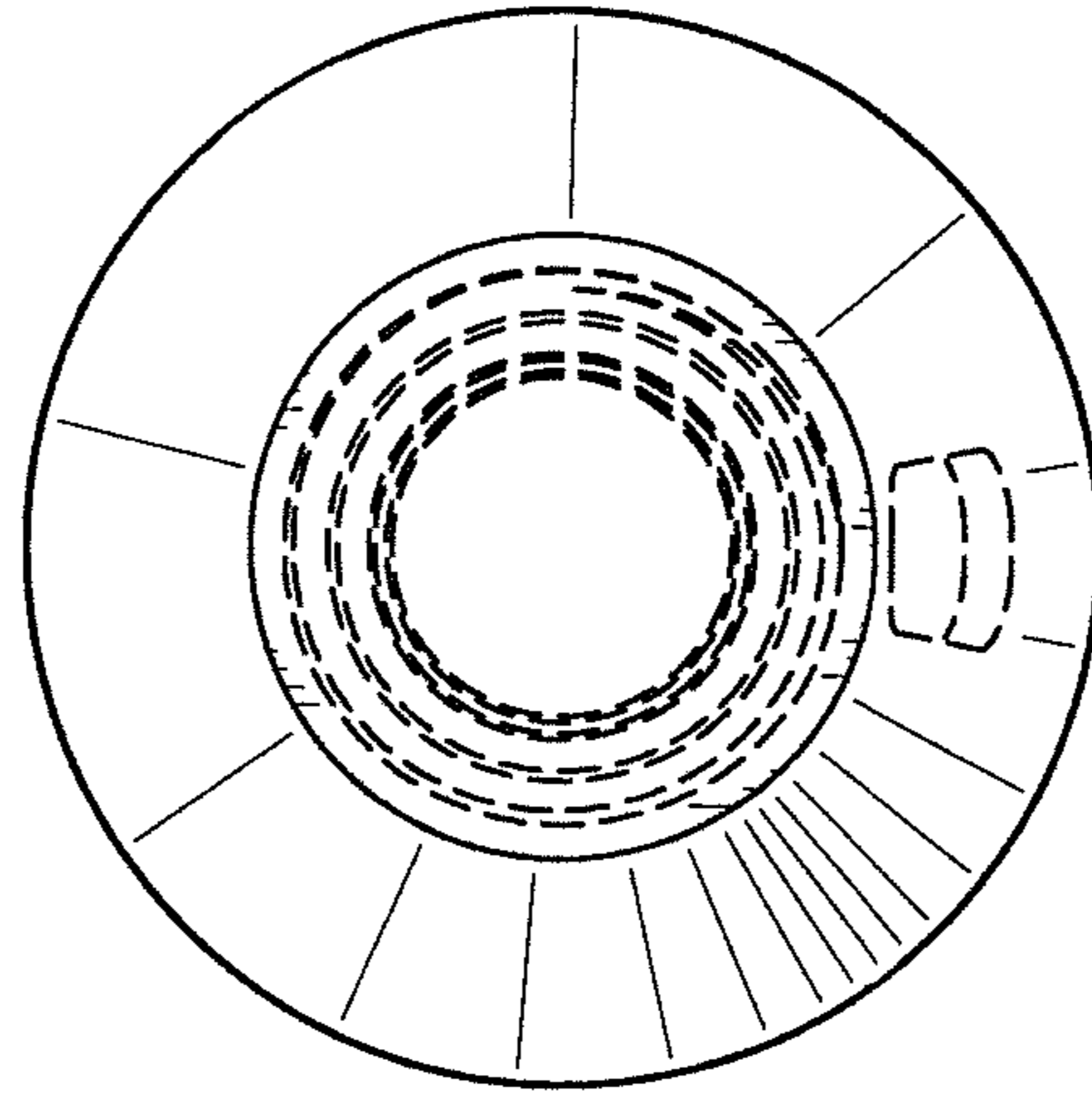


FIG. 6

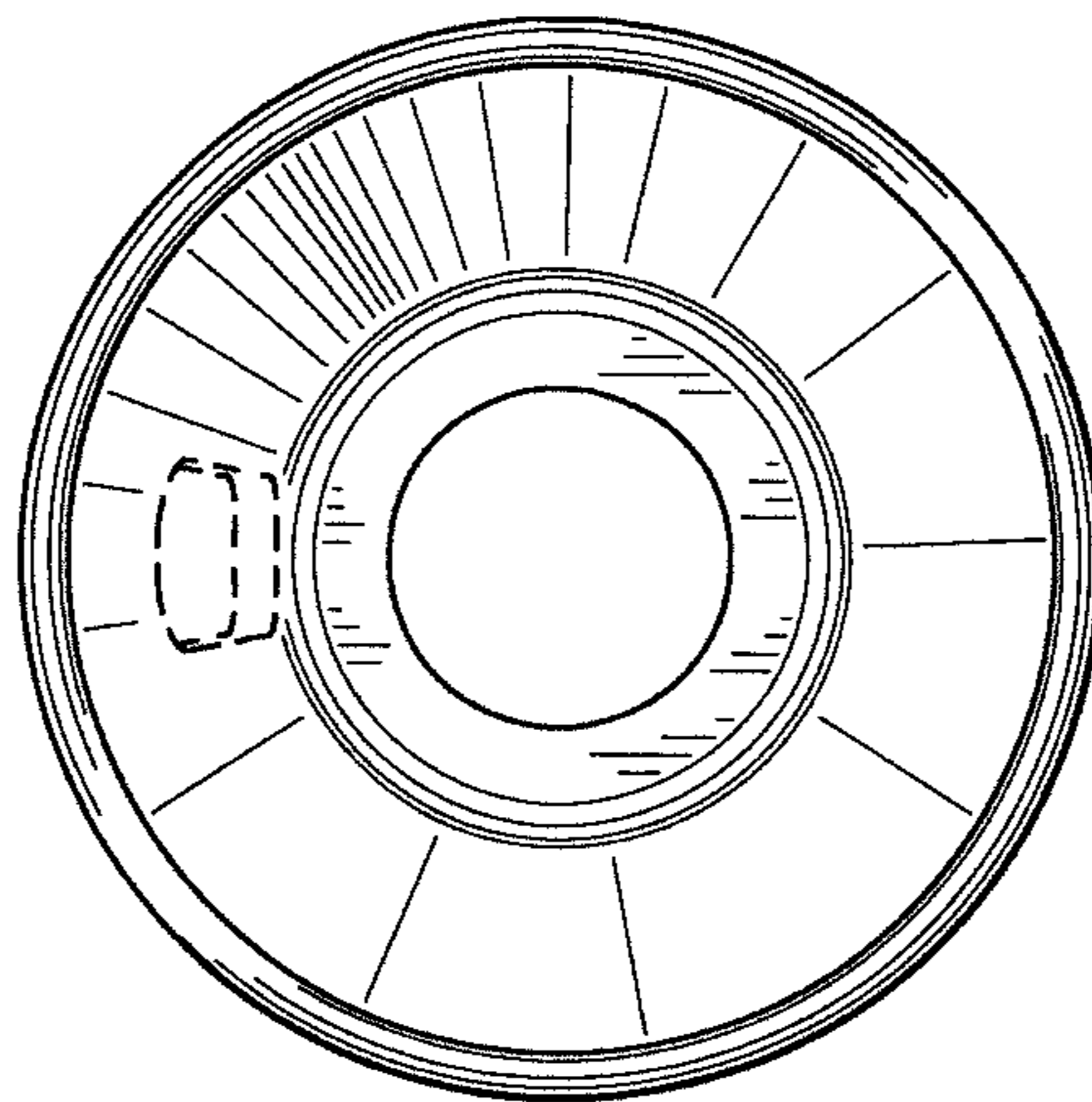


FIG. 7

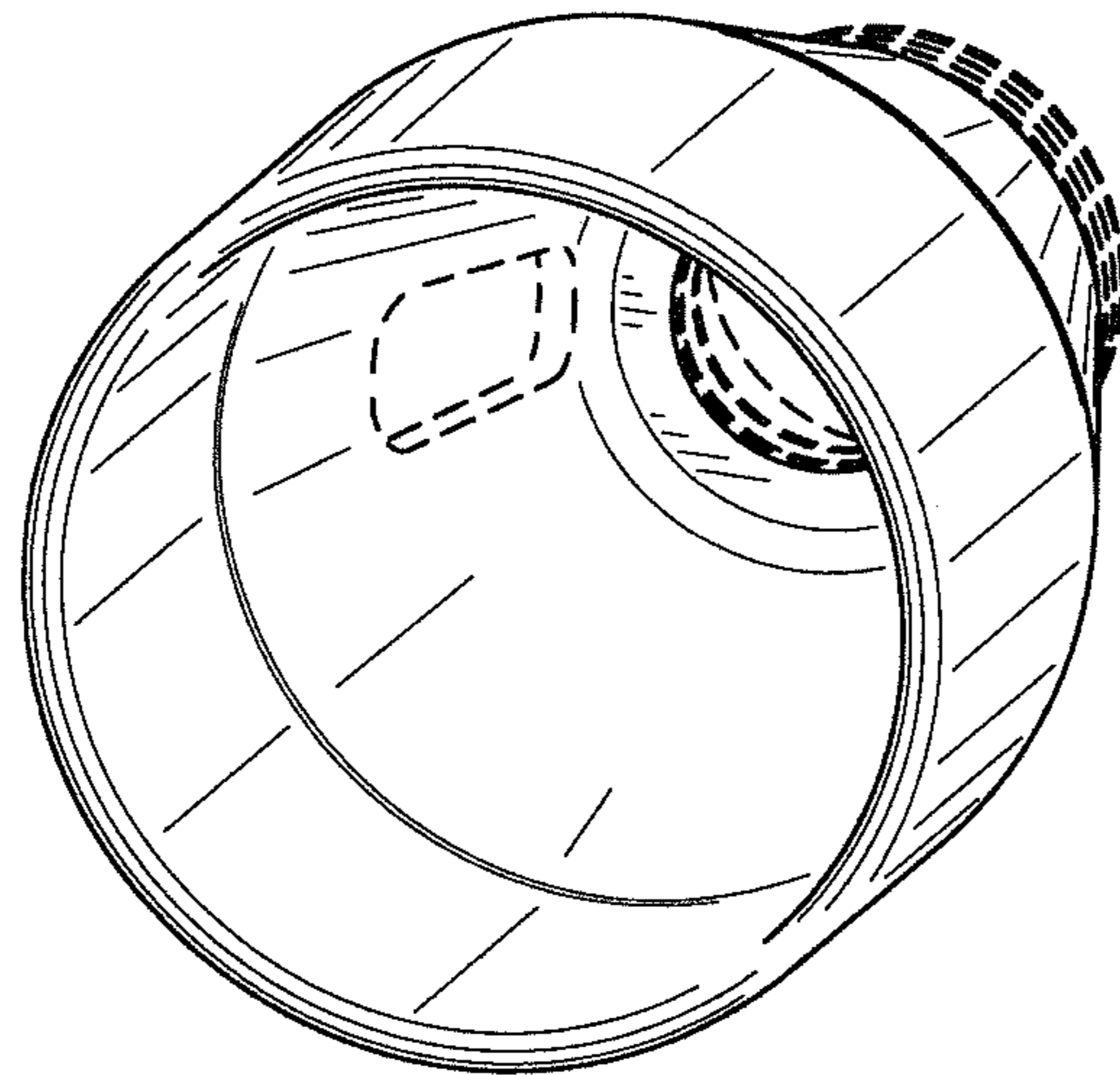


FIG. 8