



US00D776812S

(12) **United States Design Patent** (10) **Patent No.:** **US D776,812 S**
Heath et al. (45) **Date of Patent:** **** Jan. 17, 2017**

(54) **ADJUSTMENT TOOL FOR TONGUE STABILIZATION**

(71) Applicant: **KONINKLIJKE PHILIPS N.V.**,
Eindhoven (NL)
(72) Inventors: **Stephen Heath**, Andover, MA (US);
Aaron Piazza, Bothell, WA (US); **Scott Janis**,
San Francisco, CA (US); **Marcelle Nadine Yvette Van Beusekom**,
San Francisco, CA (US)

(73) Assignee: **KONINKLIJKE PHILIPS N.V.**,
Eindhoven (NL)

(**) Term: **14 Years**

(21) Appl. No.: **29/521,709**

(22) Filed: **Mar. 26, 2015**

(30) **Foreign Application Priority Data**

Sep. 27, 2014 (EM) 002546598-0005

(51) **LOC (10) Cl.** **24-02**

(52) **U.S. Cl.**
USPC **D24/146**

(58) **Field of Classification Search**
USPC D7/649; D8/93, 97, 300, 310, 311, 313;
D24/127, 130, 133, 146, 147, 148;
128/848; 606/106, 108
See application file for complete search history.

(56) **References Cited**

U.S. PATENT DOCUMENTS

D492,774 S * 7/2004 Cindrich D24/130
D542,918 S * 5/2007 Albrecht D24/146

D592,307 S * 5/2009 Curry D24/146
D614,302 S * 4/2010 Eisele D24/144
D667,554 S * 9/2012 Casabonne D24/117
8,256,425 B2 * 9/2012 Bagley A61F 5/56
128/846
D692,133 S * 10/2013 Steinwachs D24/146
D699,347 S * 2/2014 Dodd D24/146
D700,326 S * 2/2014 Minelli D24/146
8,961,558 B2 * 2/2015 Hiraoka A61B 1/00137
600/104
D736,923 S * 8/2015 Snow D24/146
D759,237 S * 6/2016 Heath D24/133

* cited by examiner

Primary Examiner — Ian Simmons

Assistant Examiner — Samantha Q Lawrence

(74) *Attorney, Agent, or Firm* — Michael W. Haas

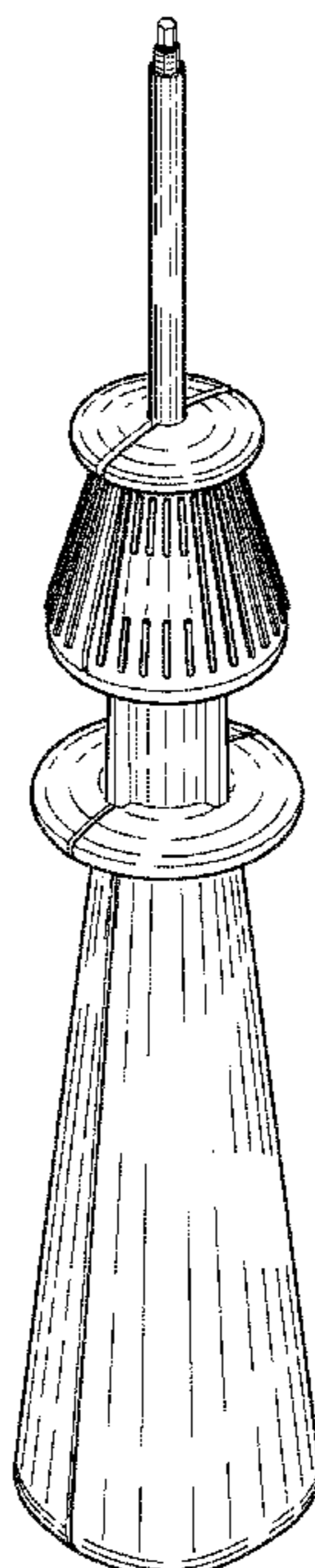
(57) **CLAIM**

The ornamental design for an adjustment tool for tongue stabilization, as shown.

DESCRIPTION

FIG. 1 is a perspective view of an adjustment tool for tongue stabilization;
FIG. 2 is a front elevational view thereof;
FIG. 3 is a rear elevational view thereof;
FIG. 4 is a right side elevational view thereof;
FIG. 5 is a left side elevational view thereof;
FIG. 6 is a top plan view thereof; and,
FIG. 7 is a bottom plan view thereof.

1 Claim, 4 Drawing Sheets



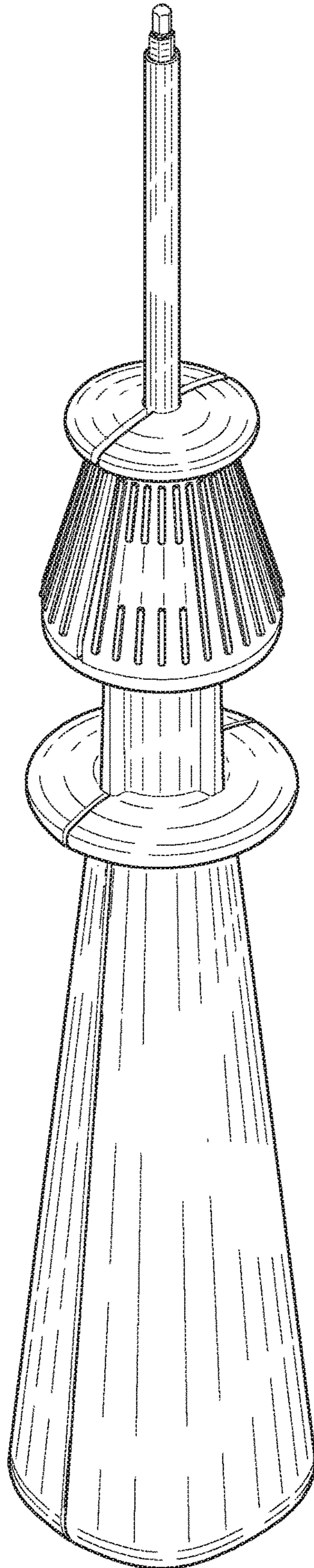


FIG. 1

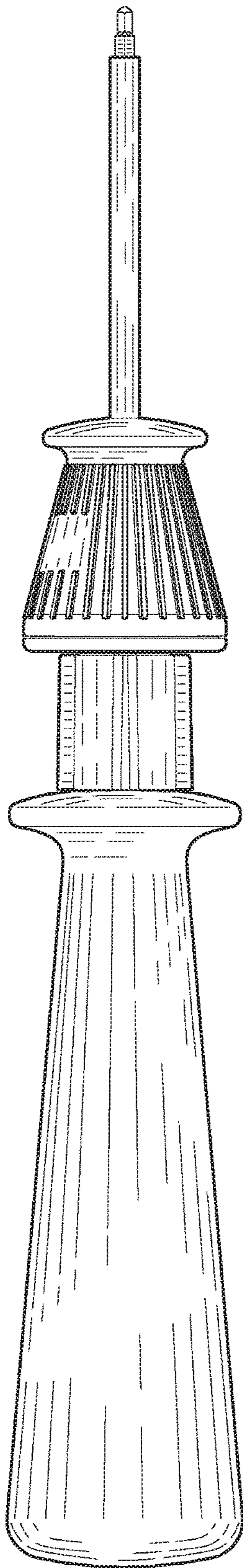


FIG. 2

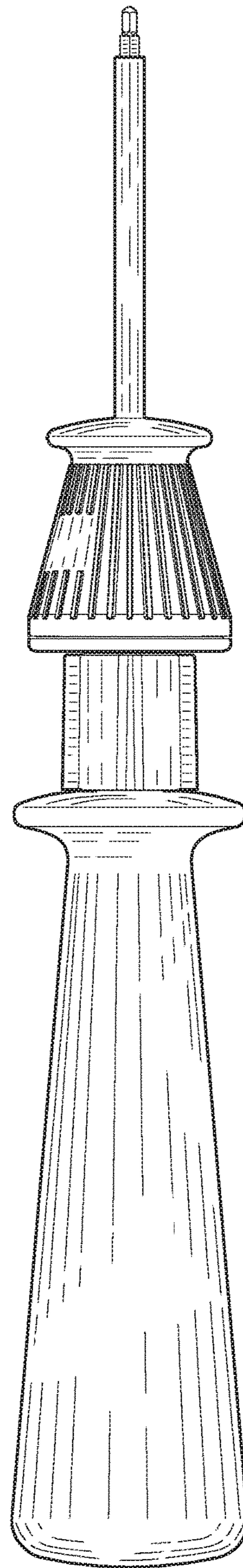


FIG. 3

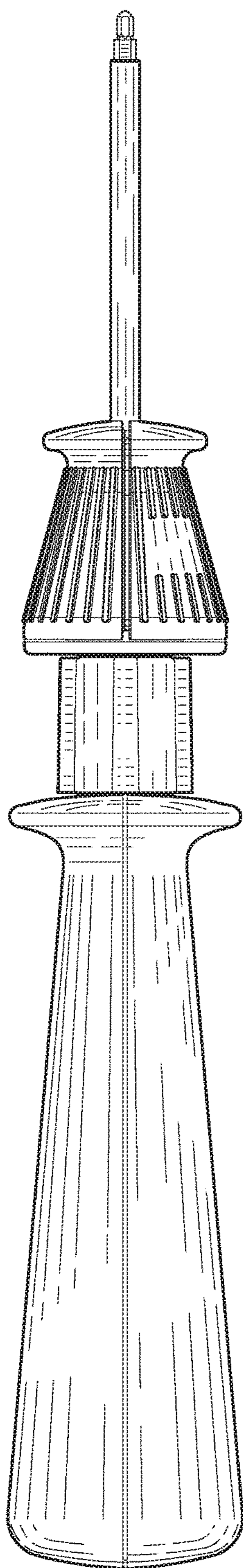


FIG. 4

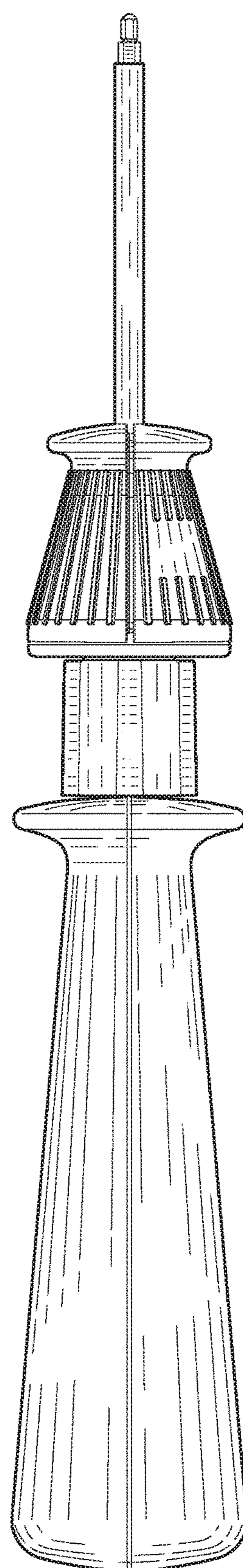


FIG. 5

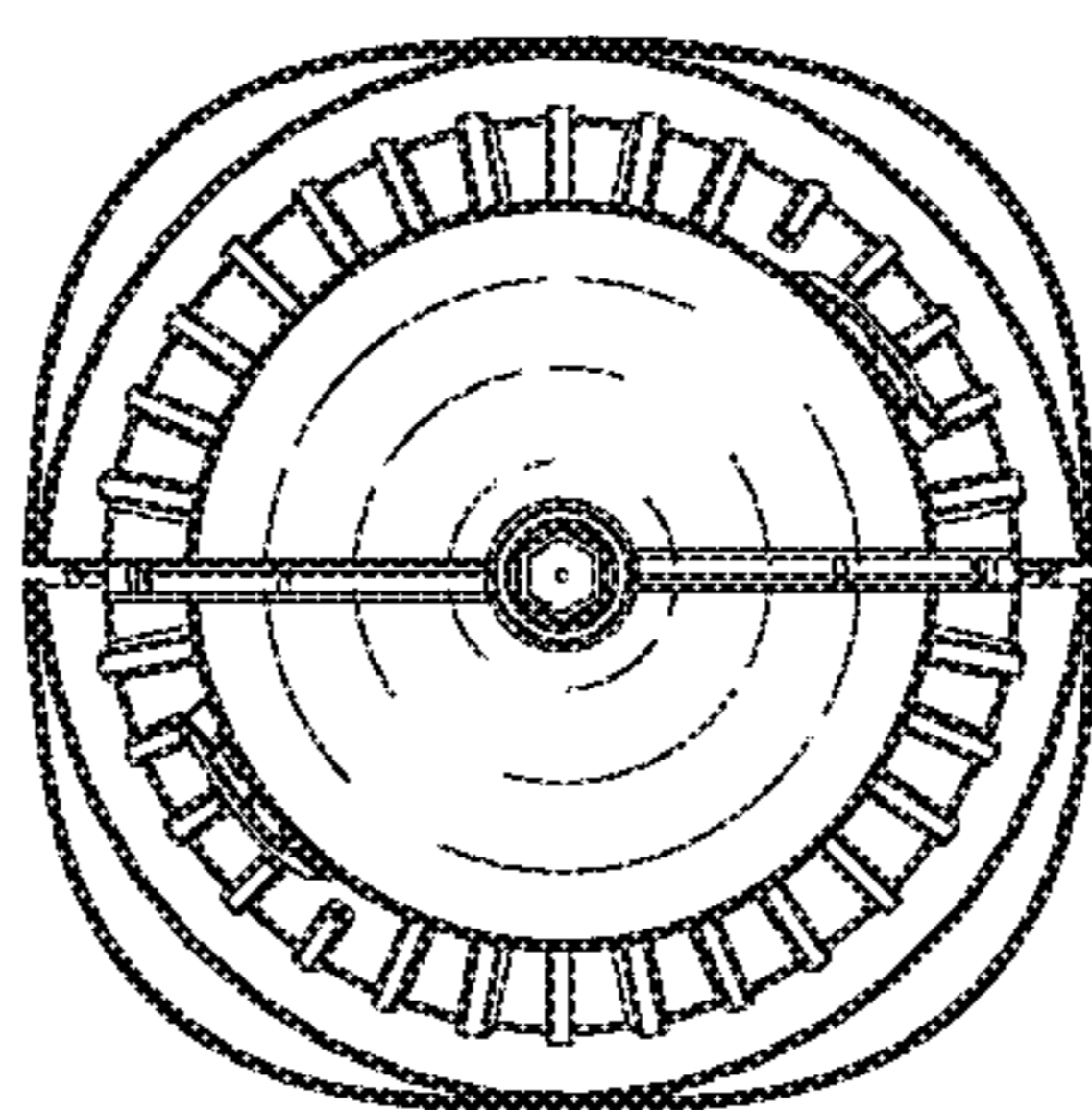


FIG. 6

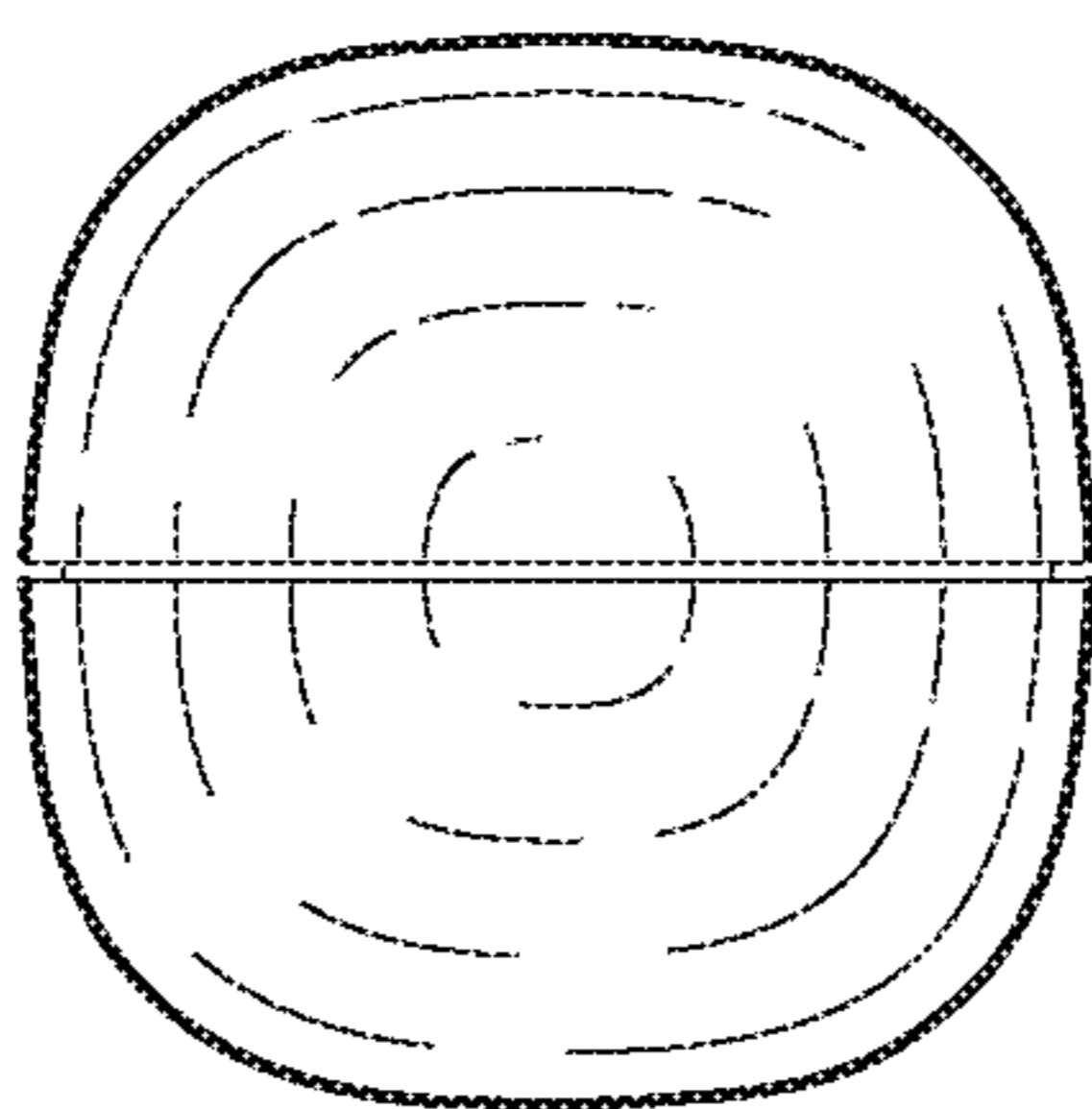


FIG. 7