



US00D776811S

(12) **United States Design Patent**  
**Ogura et al.**

(10) **Patent No.:** **US D776,811 S**

(45) **Date of Patent:** **\*\* Jan. 17, 2017**

(54) **ENDOSCOPE CONNECTOR**

(71) Applicant: **FUJIFILM Corporation**, Tokyo (JP)

(72) Inventors: **Ryosuke Ogura**, Kanagawa (JP); **Koji Yoshida**, Kanagawa (JP)

(73) Assignee: **FUJIFILM Corporation**, Tokyo (JP)

(\*\*) Term: **15 Years**

(21) Appl. No.: **29/529,770**

(22) Filed: **Jun. 10, 2015**

(30) **Foreign Application Priority Data**

Dec. 16, 2014 (JP) ..... 2014-028038

(51) **LOC (10) Cl.** ..... **24-02**

(52) **U.S. Cl.**  
USPC ..... **D24/138**

(58) **Field of Classification Search**

USPC .... D24/108, 110.6, 111–114, 117, 118, 129,  
D24/130, 132–134, 135, 137, 138, 222,  
D24/127, 140, 141, 143, 144, 148, 160,  
D24/79, 216, 152, 153, 154, 176  
CPC ..... A61B 1/00; A61B 1/00137; A61B 1/005;  
A61B 1/0014; A61B 1/0676; A61B  
1/0669; A61B 1/00121; A61B 1/00133;  
A61B 1/00071; A61B 1/00064; A61B  
1/00068; A61B 1/00112; A61B 1/0125;  
A61B 17/3478

See application file for complete search history.

(56) **References Cited**

**U.S. PATENT DOCUMENTS**

D283,442 S \* 4/1986 Richmond ..... D24/129  
6,443,888 B1 \* 9/2002 Ogura ..... A61B 1/00124  
600/132

D481,125 S \* 10/2003 Hayamizu ..... D24/129  
D490,898 S \* 6/2004 Hayamizu ..... D24/129  
D498,533 S \* 11/2004 Hayamizu ..... D24/129  
D619,709 S \* 7/2010 Scholly ..... D24/138  
2007/0167685 A1 \* 7/2007 Watanabe ..... A61B 1/00137  
600/154

\* cited by examiner

*Primary Examiner* — Robert M Spear

*Assistant Examiner* — Eliza Bennett-Hattan

(74) *Attorney, Agent, or Firm* — Young & Thompson

(57) **CLAIM**

The ornamental design for an endoscope connector, as shown and described.

**DESCRIPTION**

FIG. 1 is a top, front and left side perspective view of an endoscope connector showing my new design;  
FIG. 2 is a front elevational view thereof;  
FIG. 3 is a rear elevational view thereof;  
FIG. 4 is a top plan view thereof;  
FIG. 5 is a bottom plan view thereof;  
FIG. 6 is a left side elevational view thereof;  
FIG. 7 is a right side elevational view thereof; and,  
FIG. 8 is a top, front and right side perspective view thereof in a manner of use.

The broken lines showing the portions in FIG. 8 depict environmental subject matter only and form no part of the claimed design.

**1 Claim, 8 Drawing Sheets**

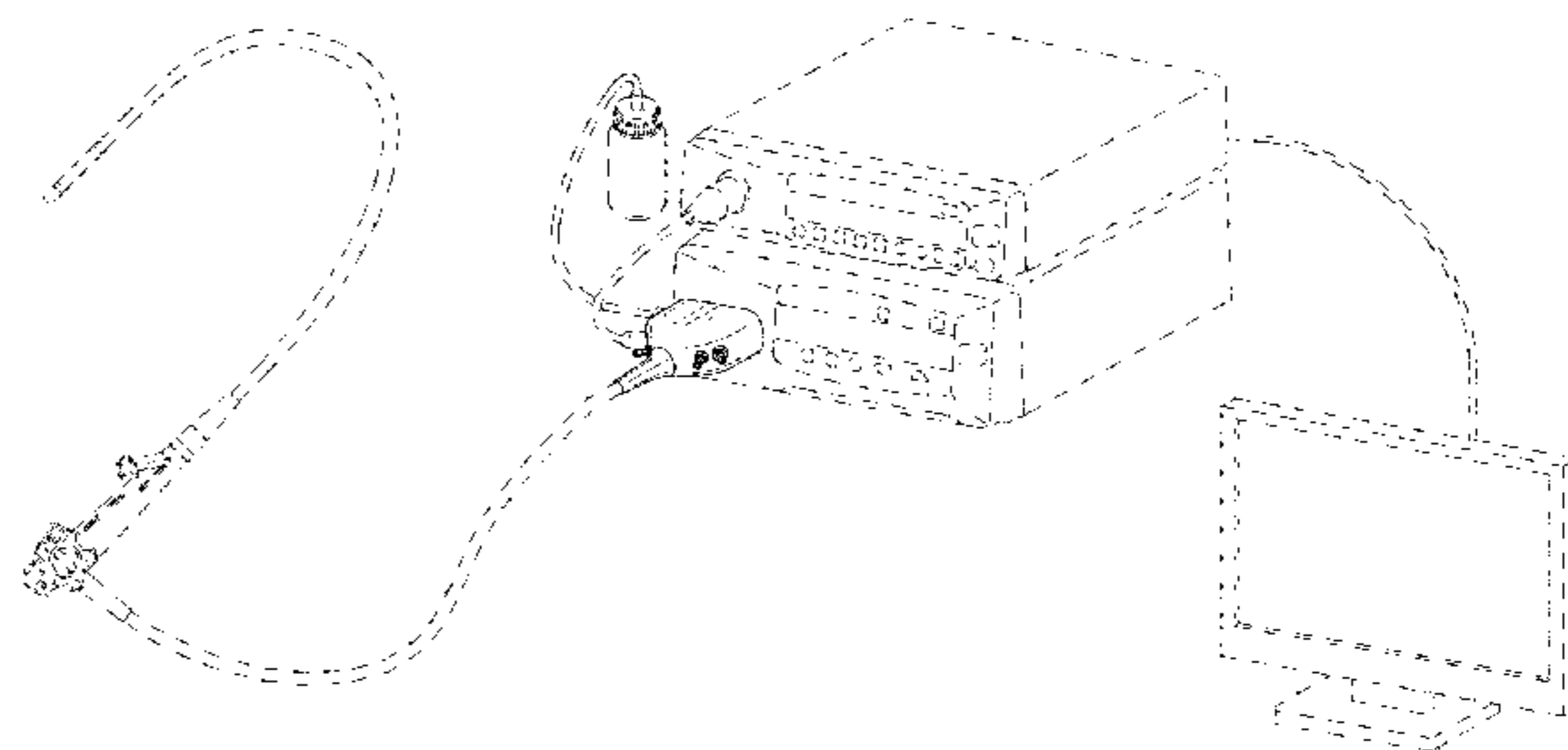
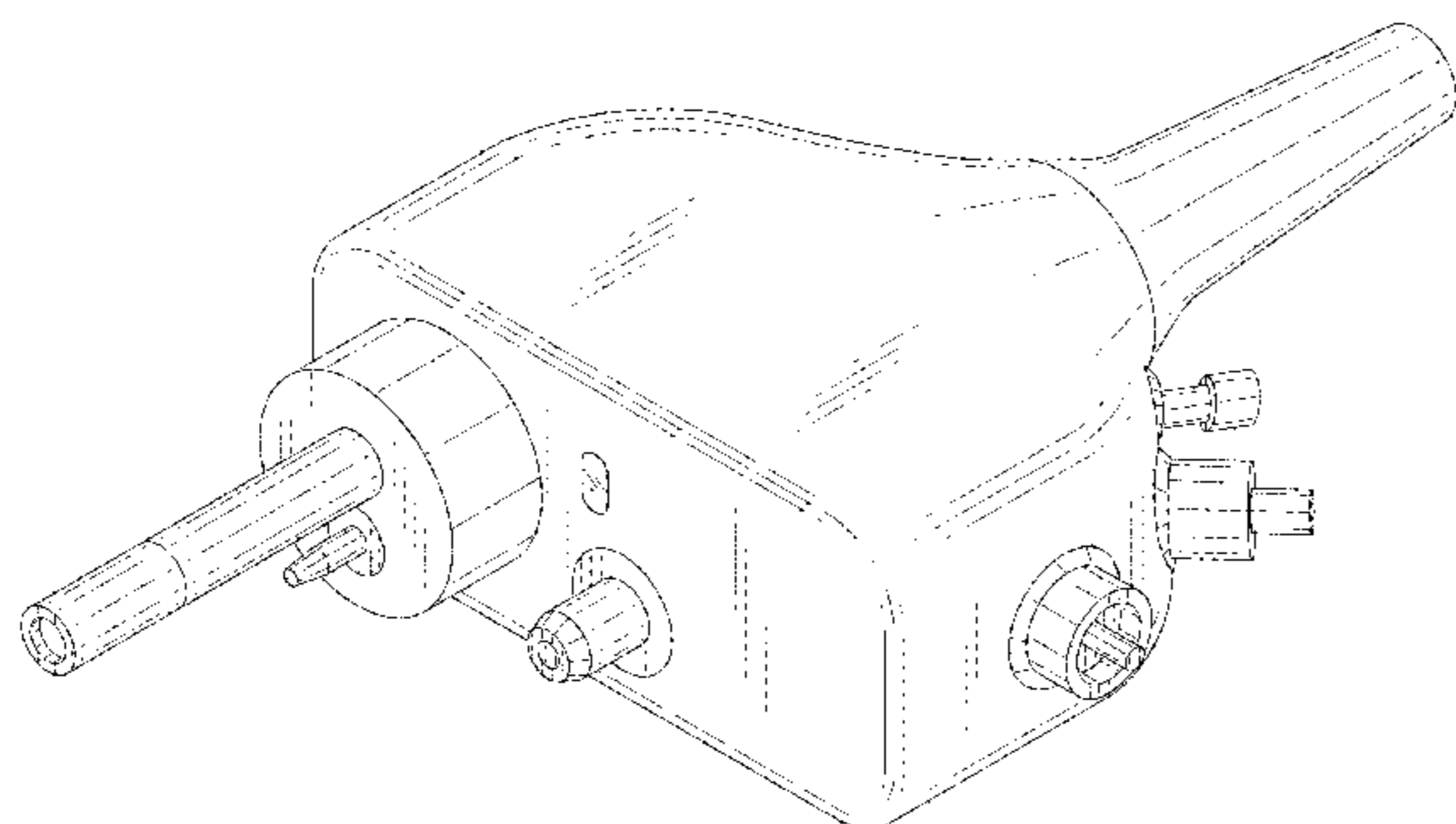


FIG. 1

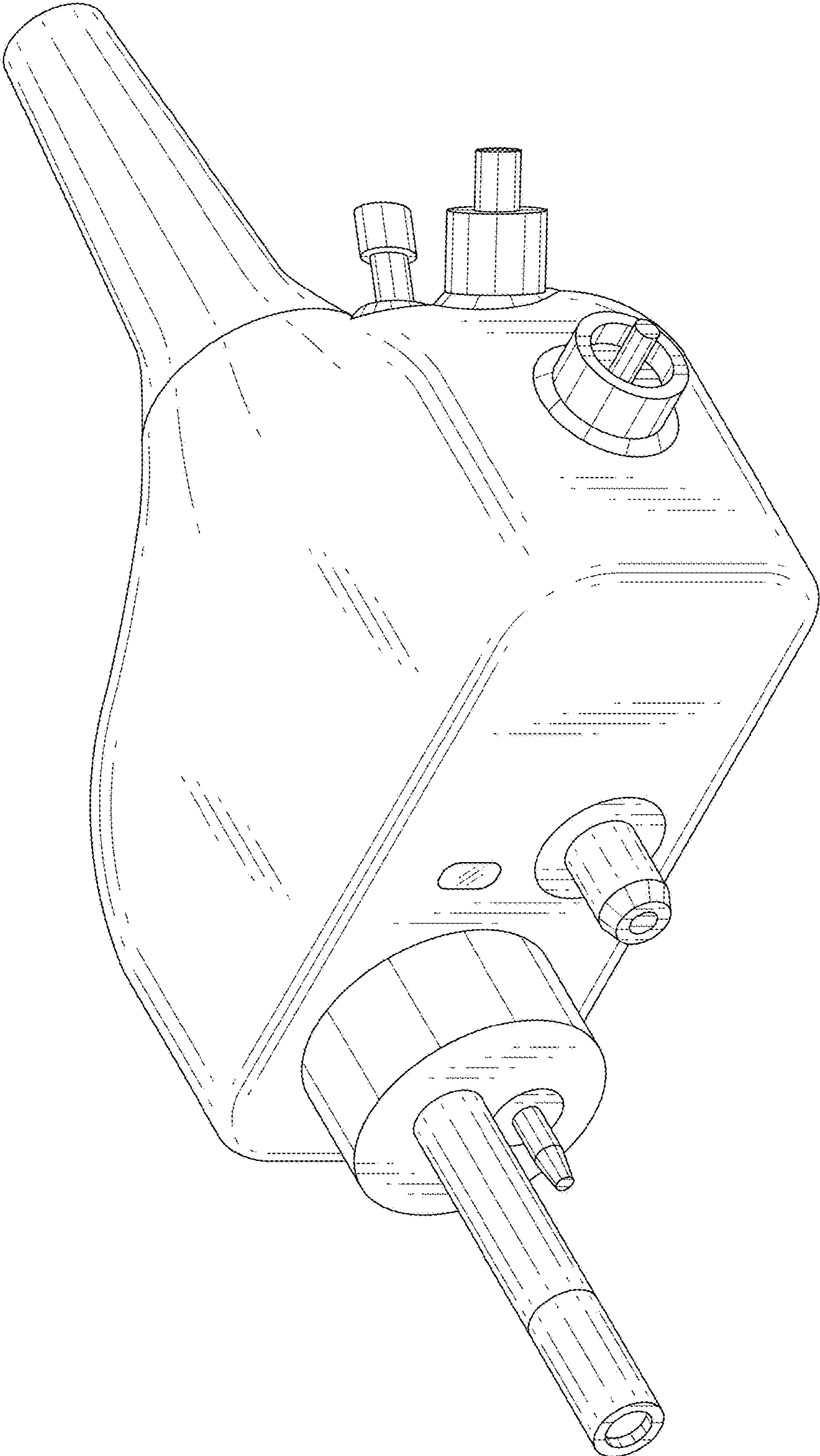


FIG. 2

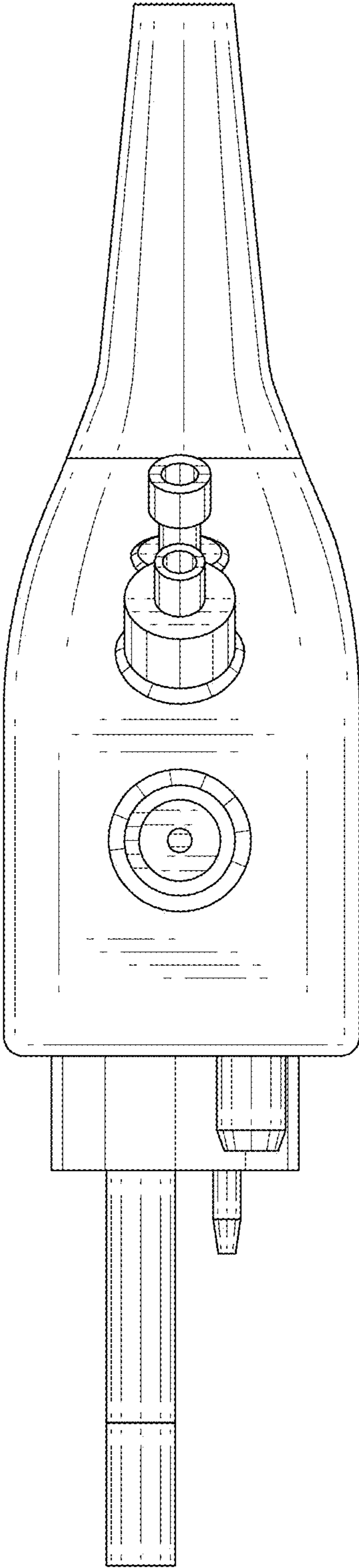


FIG. 3

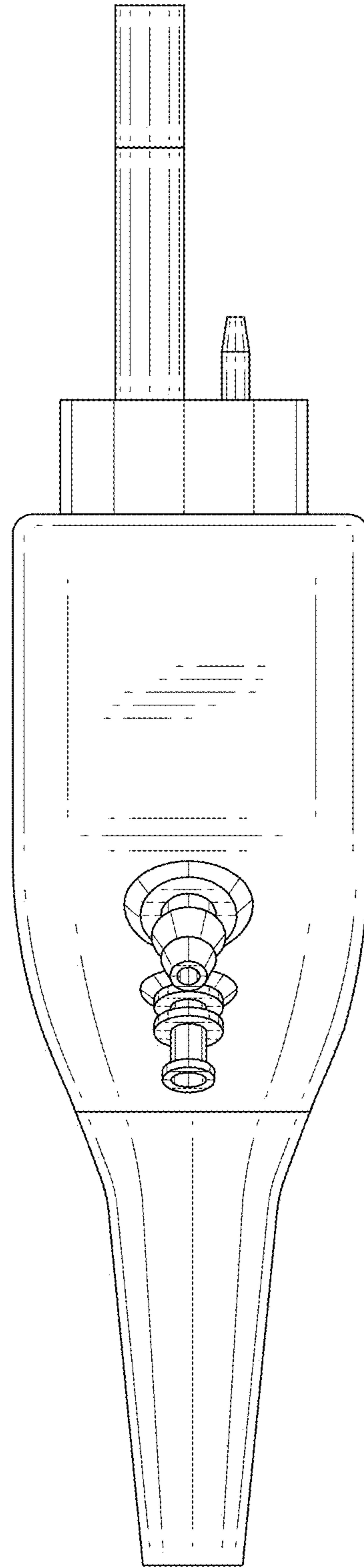


FIG. 4

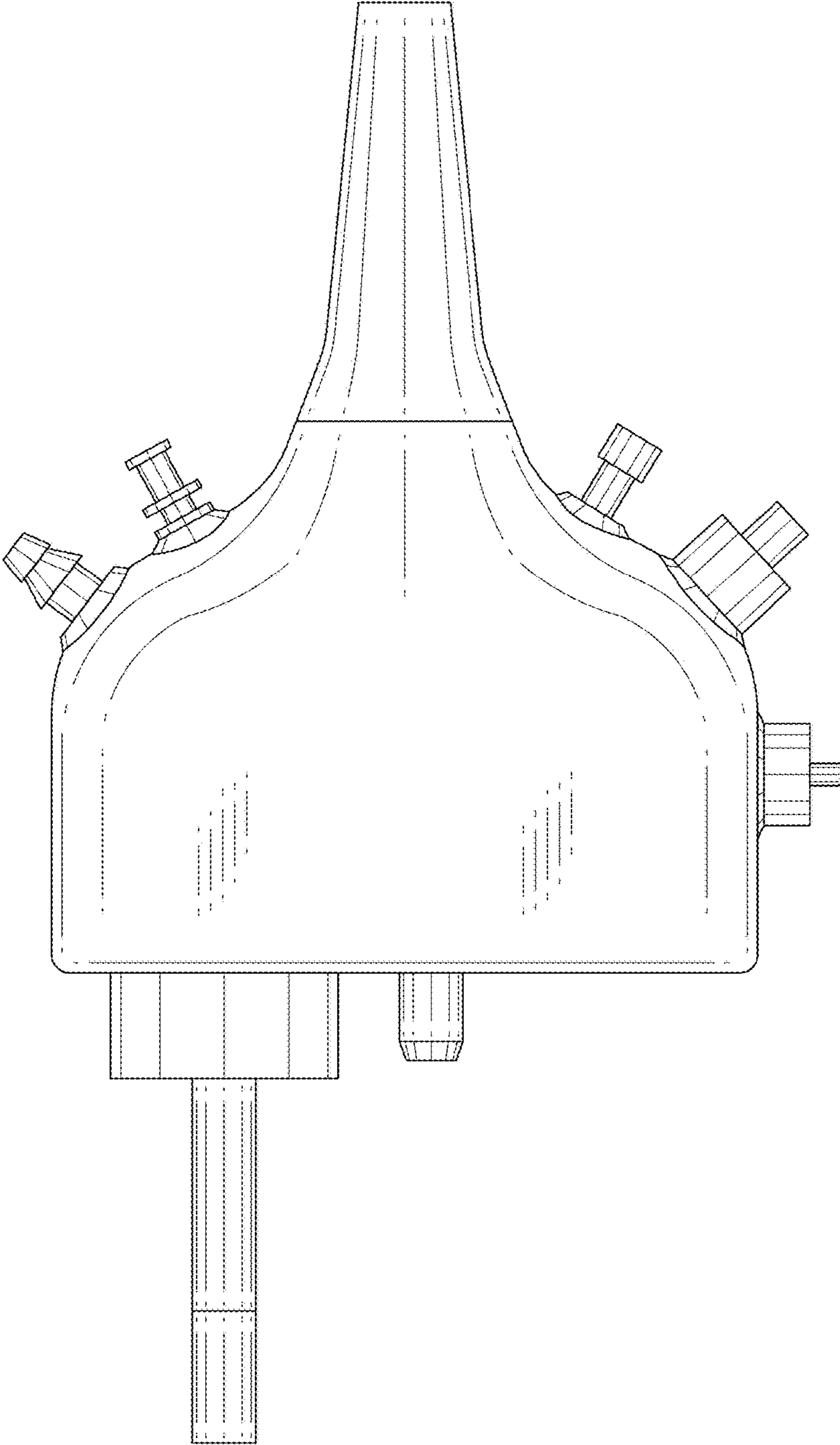


FIG. 5

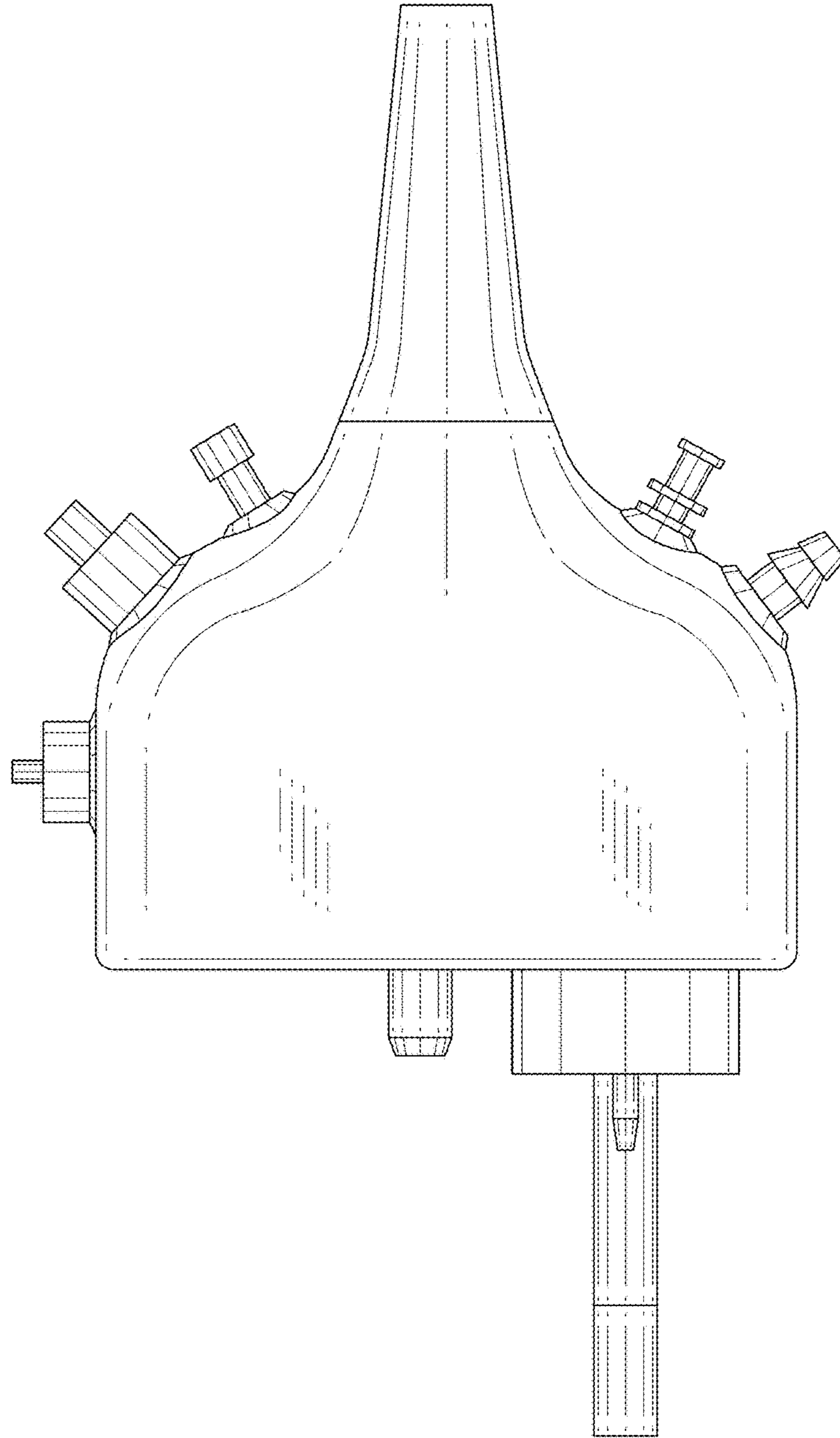


FIG. 6

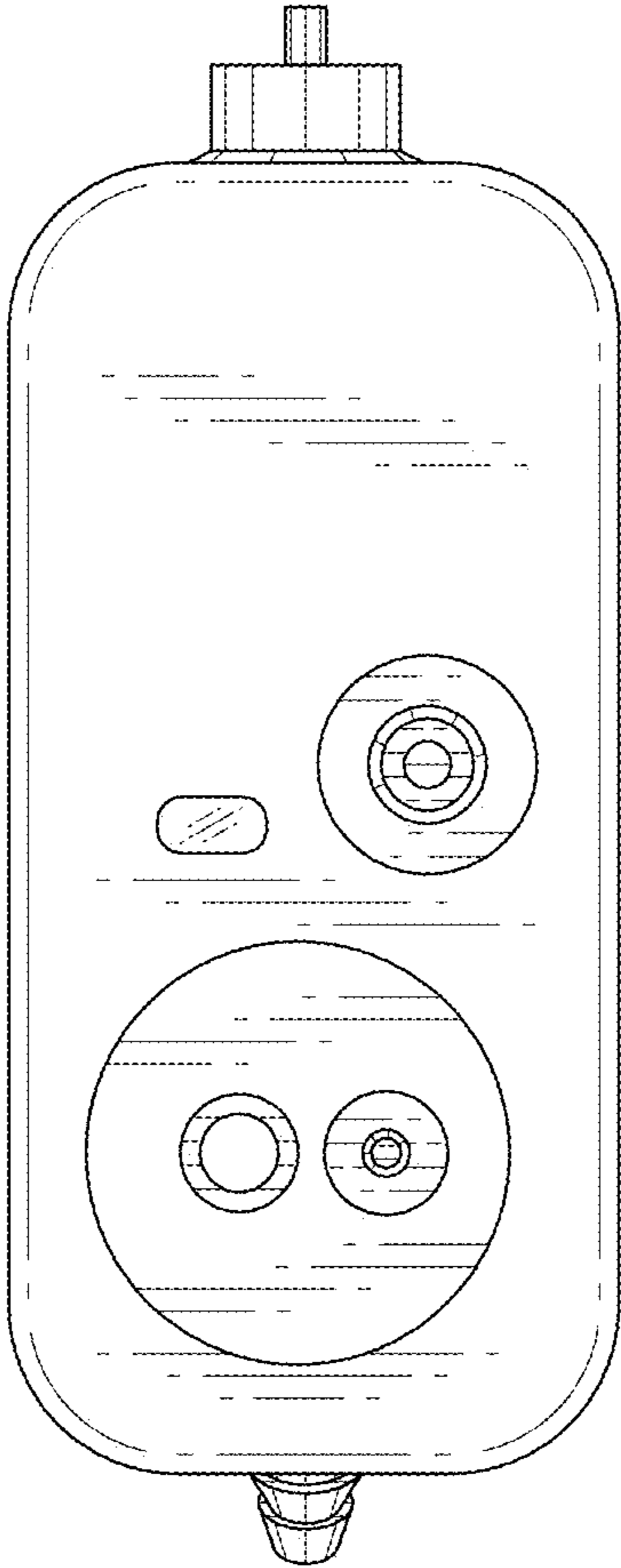


FIG. 7

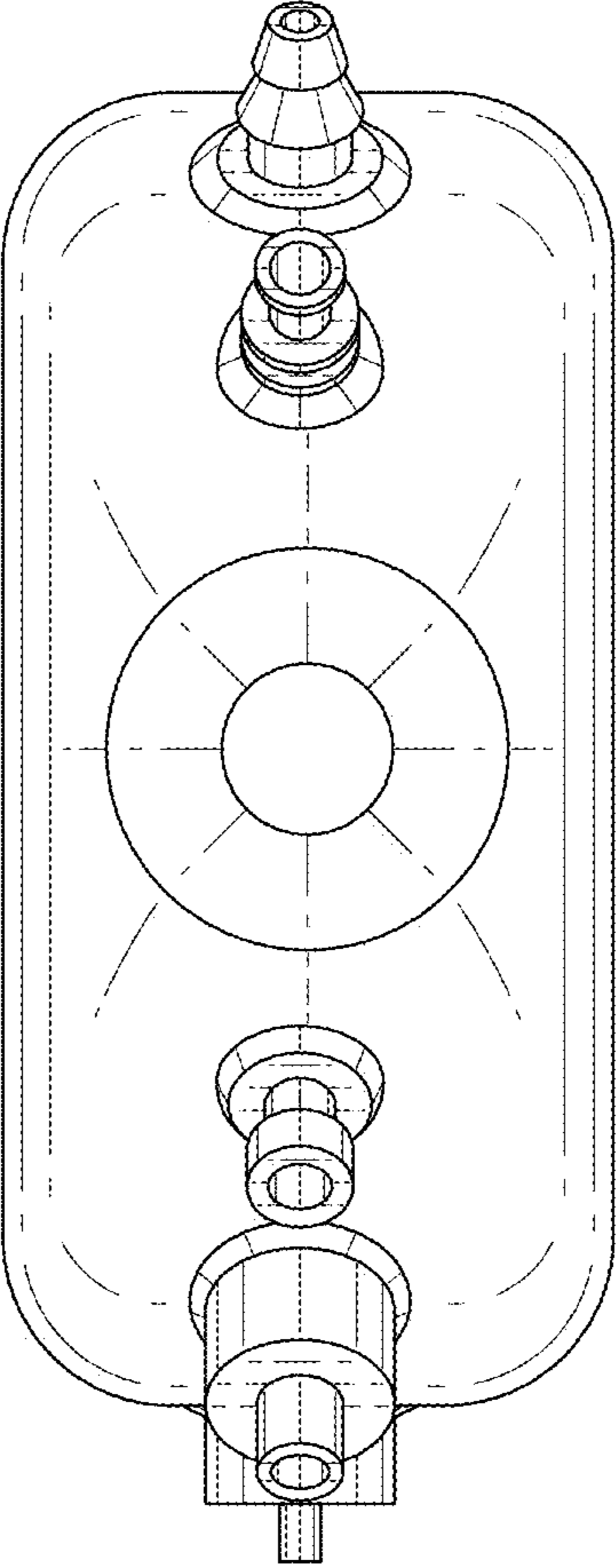




FIG. 8

