



US00D776806S

(12) **United States Design Patent**
Anderson

(10) **Patent No.:** **US D776,806 S**
(45) **Date of Patent:** **** Jan. 17, 2017**

(54) **JOINED UNIVERSAL BELLOW**

(71) Applicant: **Robert G. Anderson**, Aledo, TX (US)
(72) Inventor: **Robert G. Anderson**, Aledo, TX (US)
(**) Term: **15 Years**

(21) Appl. No.: **29/541,843**

(22) Filed: **Oct. 8, 2015**

(51) **LOC (10) Cl.** **24-02**

(52) **U.S. Cl.**
USPC **D24/115**

(58) **Field of Classification Search**
USPC D24/115, 118, 127, 155; 604/92, 108,
604/317, 327, 339, 403, 408, 410, 415;
383/22, 383/23, 35; D9/696, 707, 709;
206/219; 606/1

See application file for complete search history.

(56) **References Cited**

U.S. PATENT DOCUMENTS

4,641,648	A	2/1987	Shapiro	
4,955,906	A	9/1990	Coggins et al.	
5,571,178	A	11/1996	Ledergerber	
5,723,006	A	3/1998	Ledergerber	
5,782,913	A	7/1998	Schindler et al.	
D448,988	S *	10/2001	Bell	D9/710
6,685,691	B1 *	2/2004	Freund	A61J 1/10 222/105
8,070,816	B2 *	12/2011	Taylor	A61F 2/44 623/17.11
8,206,443	B2	6/2012	Preissman	
8,211,173	B2	7/2012	Keller et al.	
8,313,760	B2	11/2012	Hunter	
8,550,090	B2	10/2013	Keller et al.	

(Continued)

FOREIGN PATENT DOCUMENTS

WO WO/2013/122568 A1 8/2013

OTHER PUBLICATIONS

Richard A. Mladick, M.D., F.A.C.S. Significance of *Staphylococcus epidermidis* Causing Subclinical Infection, *Plastic & Reconstructive Surgery*: Apr. 15, 2005—vol. 115—Issue 5—pp. 1426-1427, Virginia Beach, VA.

(Continued)

Primary Examiner — Garth Rademaker

Assistant Examiner — Samantha Q Lawrence

(74) *Attorney, Agent, or Firm* — Kirby B. Drake;
Klemchuk LLP

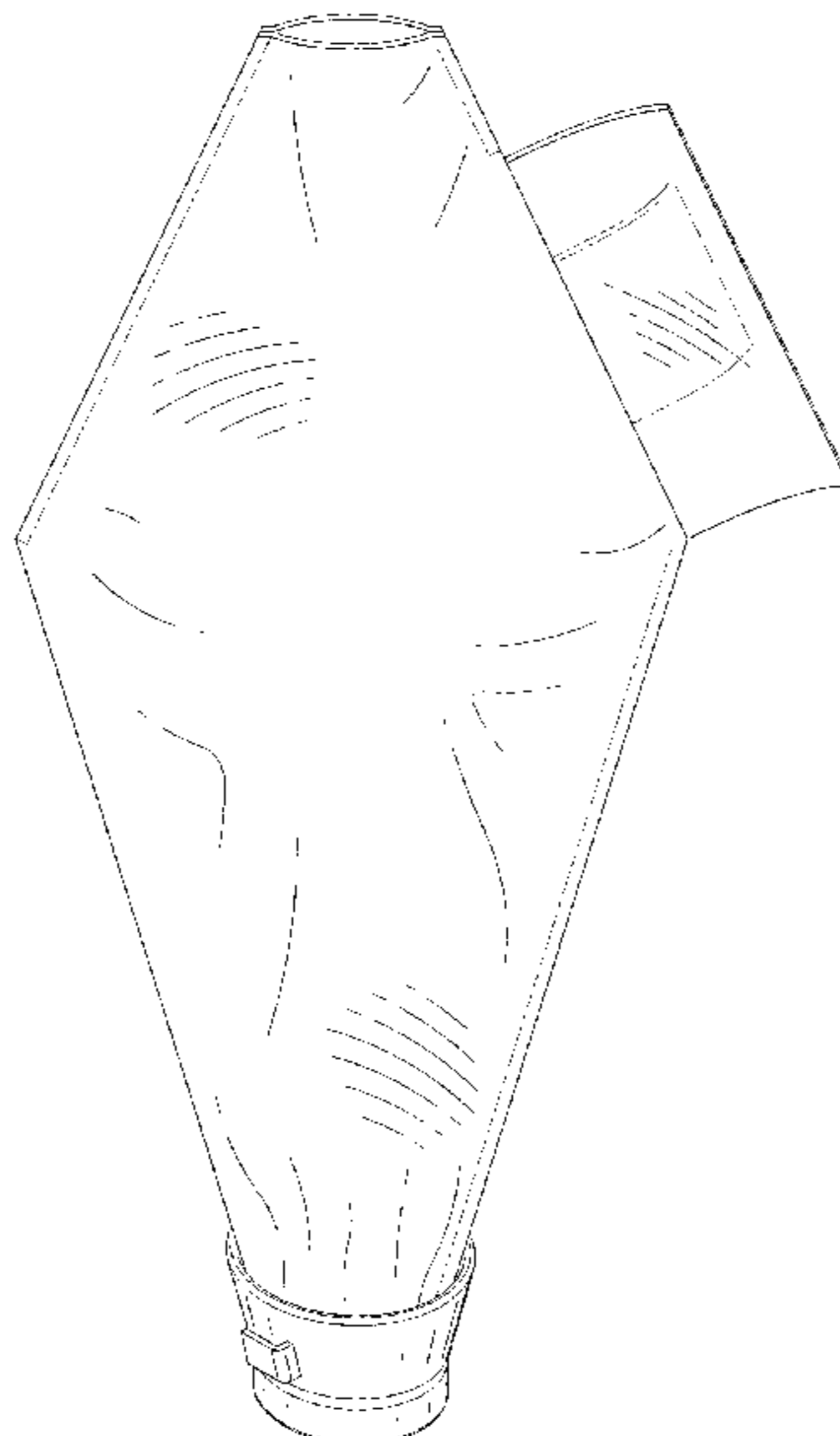
(57) **CLAIM**

The ornamental design for a joined universal bellow, as shown and described.

DESCRIPTION

FIG. 1 is a top, front perspective view of a joined universal bellow with the tabs in an open position;
FIG. 2 is a front view thereof;
FIG. 3 is a back view thereof;
FIG. 4 is a right side view thereof;
FIG. 5 is a left side view thereof;
FIG. 6 is a top view thereof;
FIG. 7 is a bottom view thereof;
FIG. 8 is a front, left side perspective view of the joined universal bellow with the tabs in a folded position;
FIG. 9 is a top, front perspective view thereof, shown with one tab folded; and,
FIG. 10 is a back view thereof, shown with one tab folded.
The broken lines shown in FIG. 7 illustrate portions of the joined universal bellow that form no part of the claimed design. The broken lines shown in FIG. 8 illustrate environment and form no part of the claimed design.

1 Claim, 8 Drawing Sheets



(56)

References Cited

U.S. PATENT DOCUMENTS

8,555,893 B2 10/2013 Keller et al.
 8,641,758 B1 2/2014 Anderson
 D735,584 S * 8/2015 Berlepsch D9/710
 D738,490 S 9/2015 Anderson
 D752,739 S * 3/2016 Anderson D24/115
 2007/0154525 A1 * 7/2007 Calhoun A61C 8/0012
 424/427
 2007/0276484 A1 11/2007 Abell et al.
 2009/0118829 A1 * 5/2009 Powell A61F 2/12
 623/8
 2009/0204107 A1 8/2009 Keller et al.
 2010/0280610 A1 11/2010 Preissman
 2011/0035003 A1 2/2011 Preissman
 2011/0218624 A1 9/2011 Preissman
 2012/0116509 A1 * 5/2012 Forsell A61F 2/12
 623/8
 2012/0185042 A1 7/2012 Preissman
 2012/0226352 A1 * 9/2012 Becker A61F 2/12
 623/8
 2012/0259414 A1 10/2012 Preissman
 2013/0018393 A1 * 1/2013 Bengtson A61B 17/064
 606/144

2013/0073040 A1 3/2013 Preissman
 2013/0317610 A1 * 11/2013 Ledergerber A61F 2/12
 623/8
 2014/0074235 A1 3/2014 Keller et al.
 2014/0074236 A1 3/2014 Keller et al.
 2014/0148901 A1 5/2014 Anderson

OTHER PUBLICATIONS

“Richard A. Mladick, M.D., F.A.C.S. Prevention of Capsular Contracture, Plastic & Reconstructive Surgery: May 1999—vol. 103—Issue 6—pp. 1773-1774, Virginia Beach, VA.”
 Thomas M. Biggs, M.D. Prefilled Saline Breast Implants Offer Significant Advantages, Aesthetic Surgery Journal Sep. 1999 vol. 19 No. 5 424, St Louis, MO.
 “Mitchel H. Brown, M.D., M.Ed. Cohesive Silicone Gel Breast Implants in Aesthetic and Reconstructive Breast Surgery, Plastic & Reconstructive Surgery: Sep. 1, 2005—vol. 116—Issue 3—pp. 768-779”.
 Mladick, Richard A., “No-Touch” Submuscular Saline Breast Augmentation Technique, Aesth. Plast. Surg. 17:183-192 (1993).

* cited by examiner

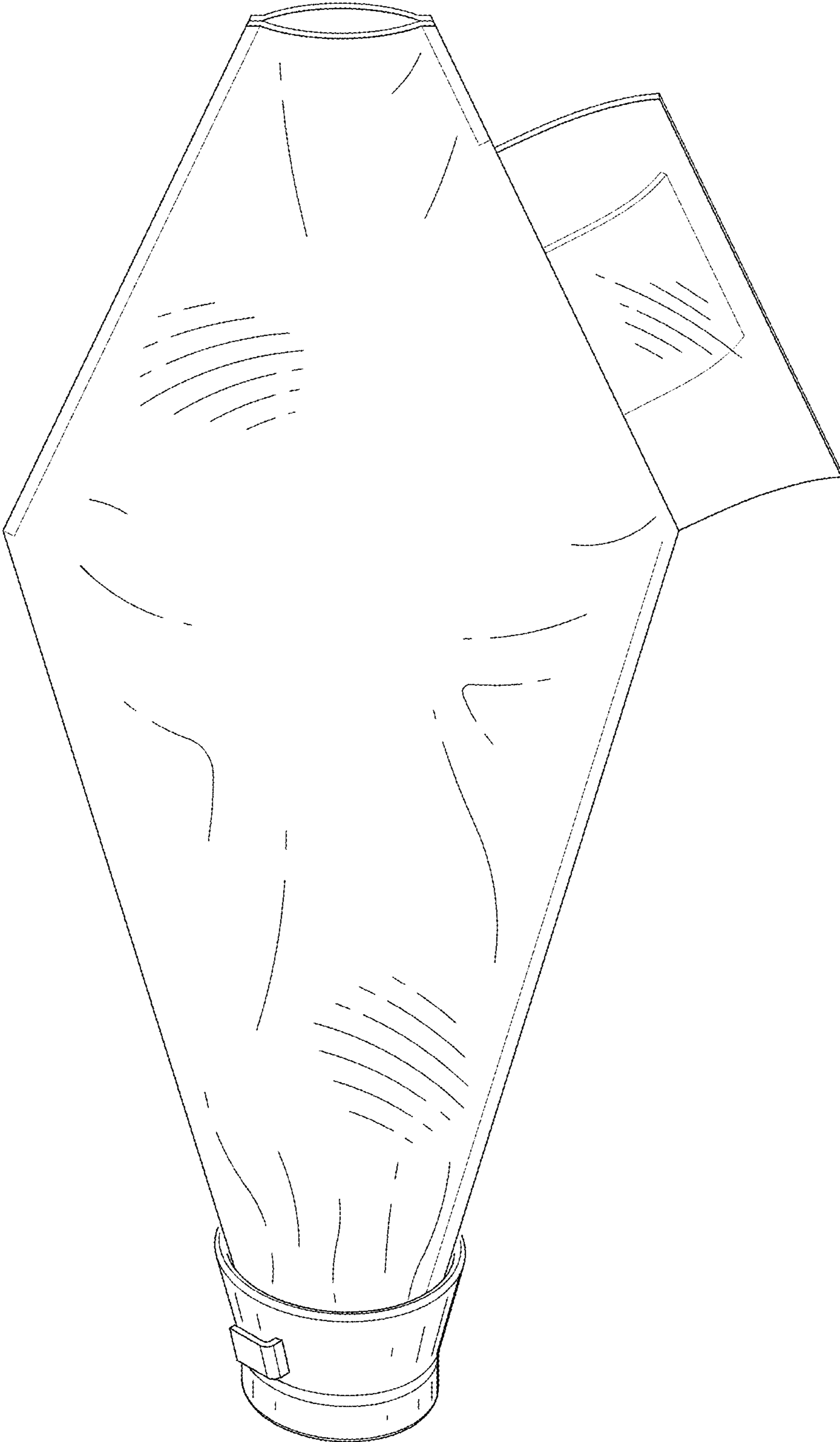


FIG. 1

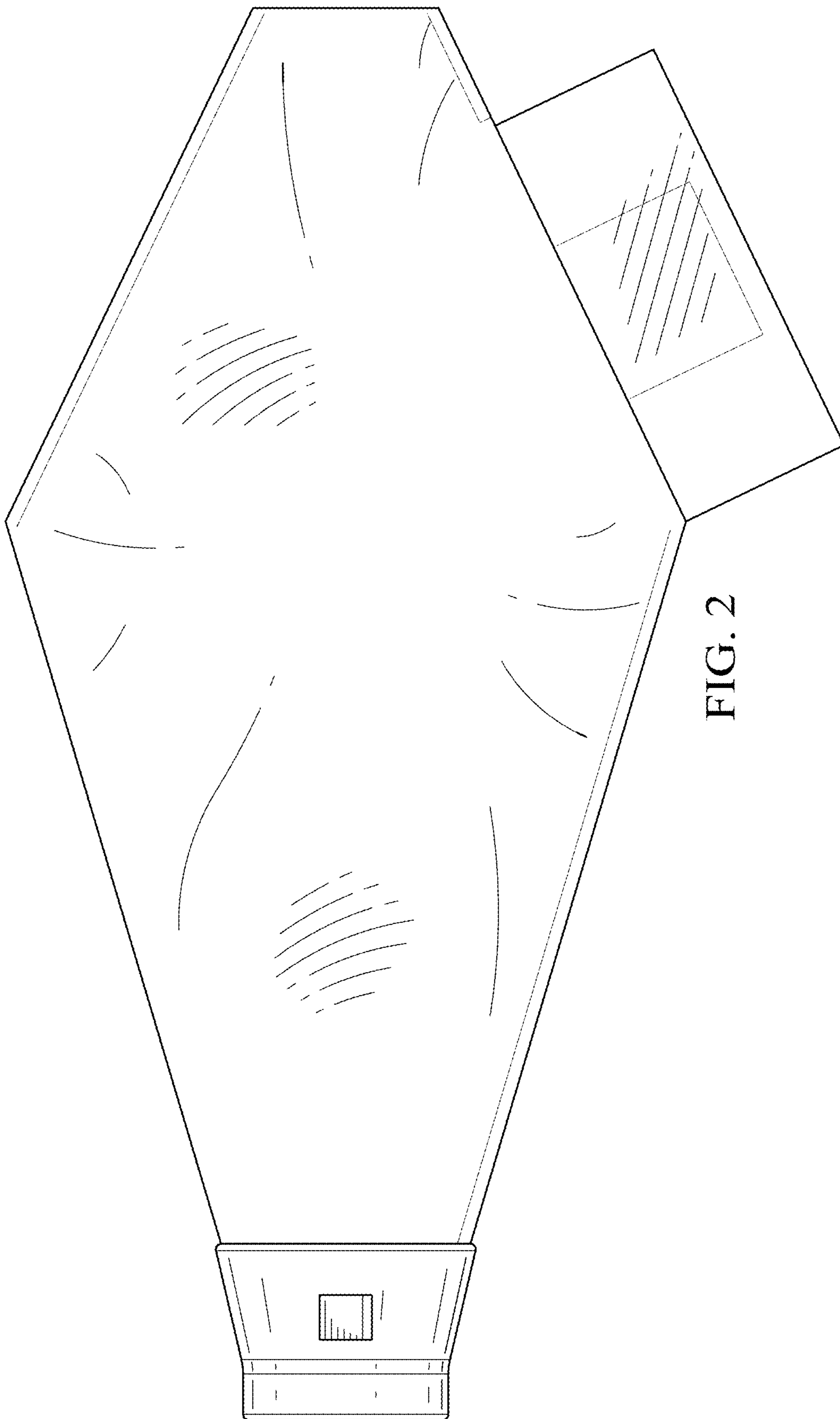


FIG. 2

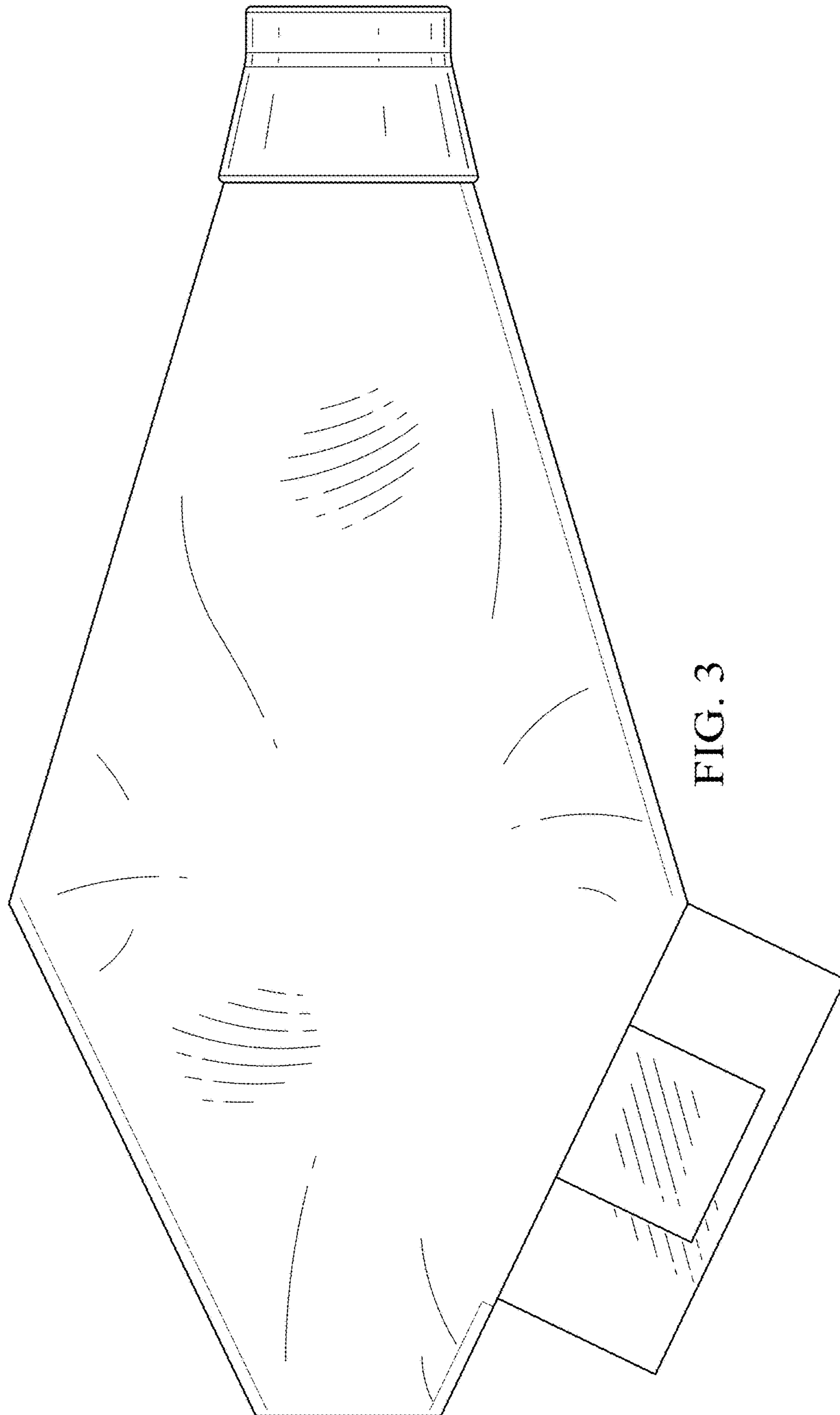


FIG. 3

4/9

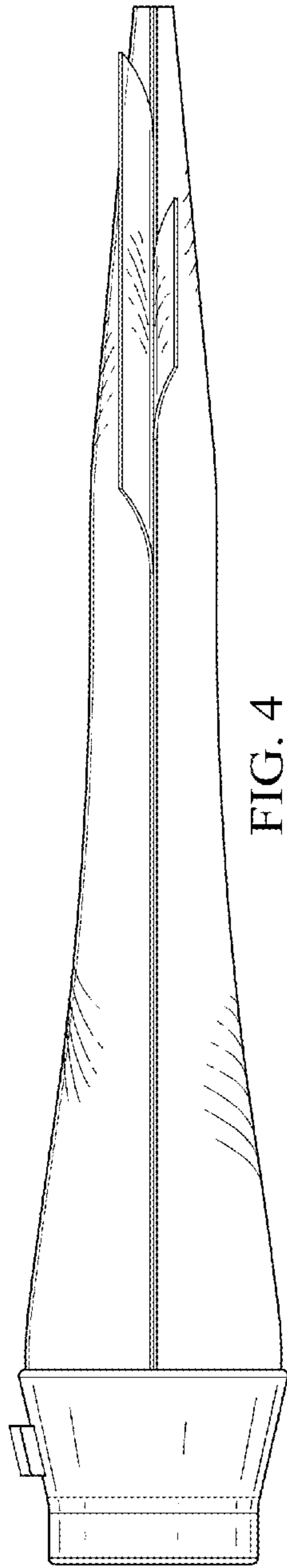


FIG. 4

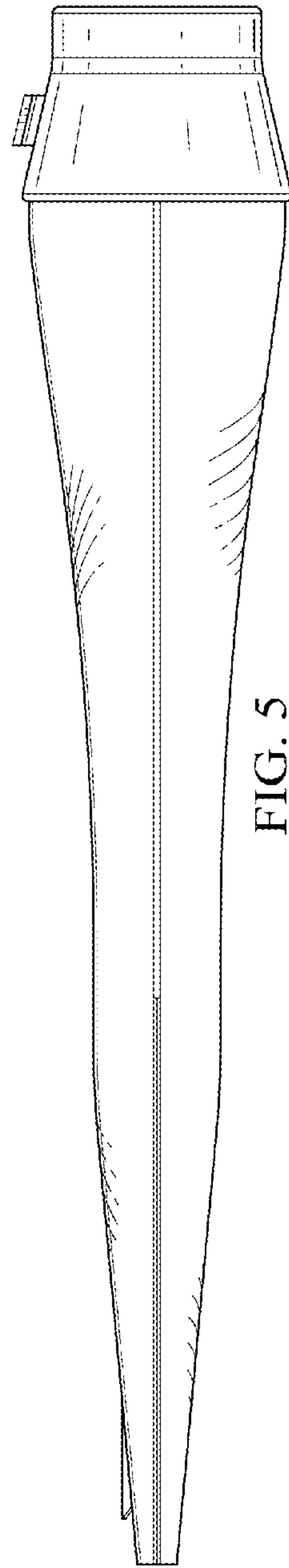


FIG. 5

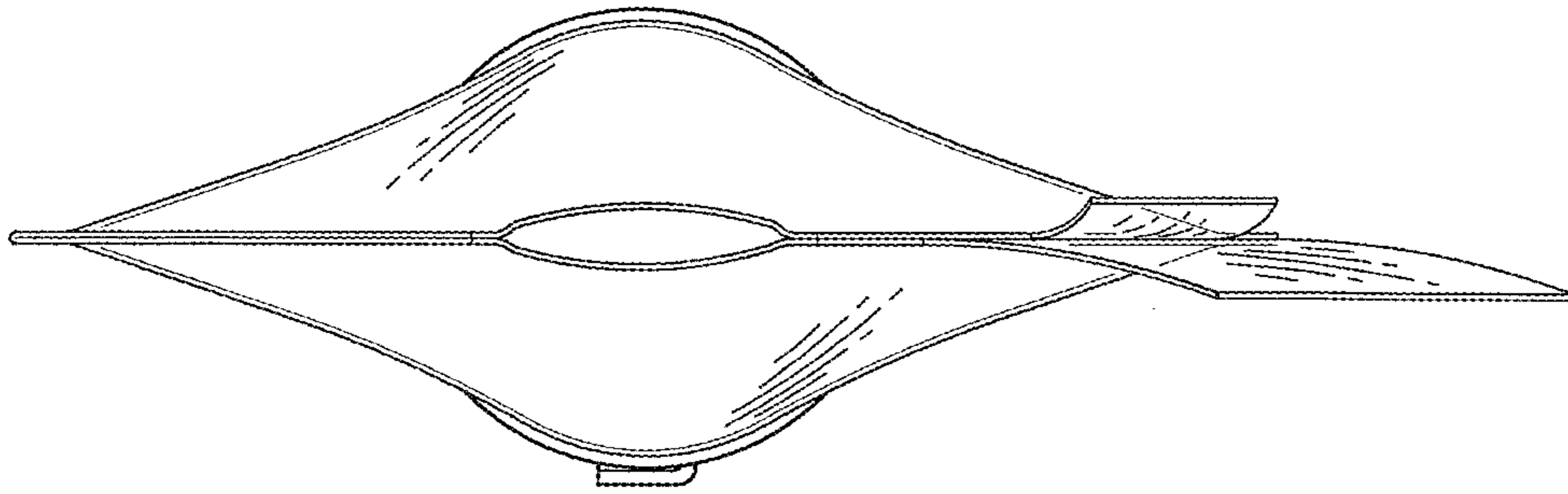


FIG. 6

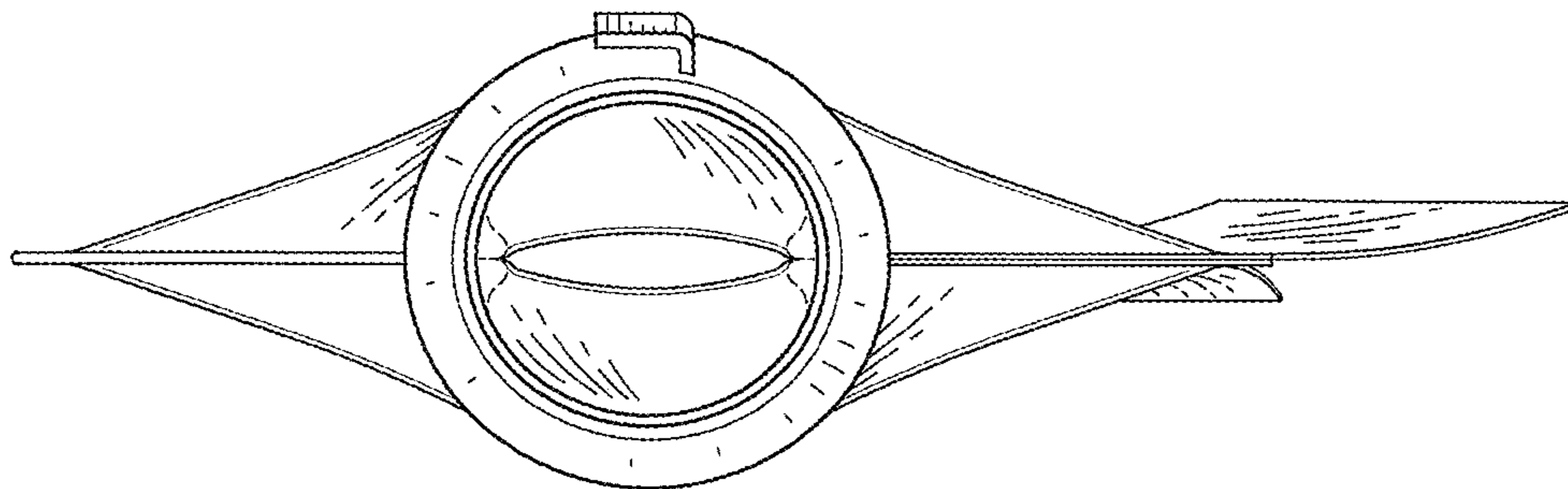


FIG. 7

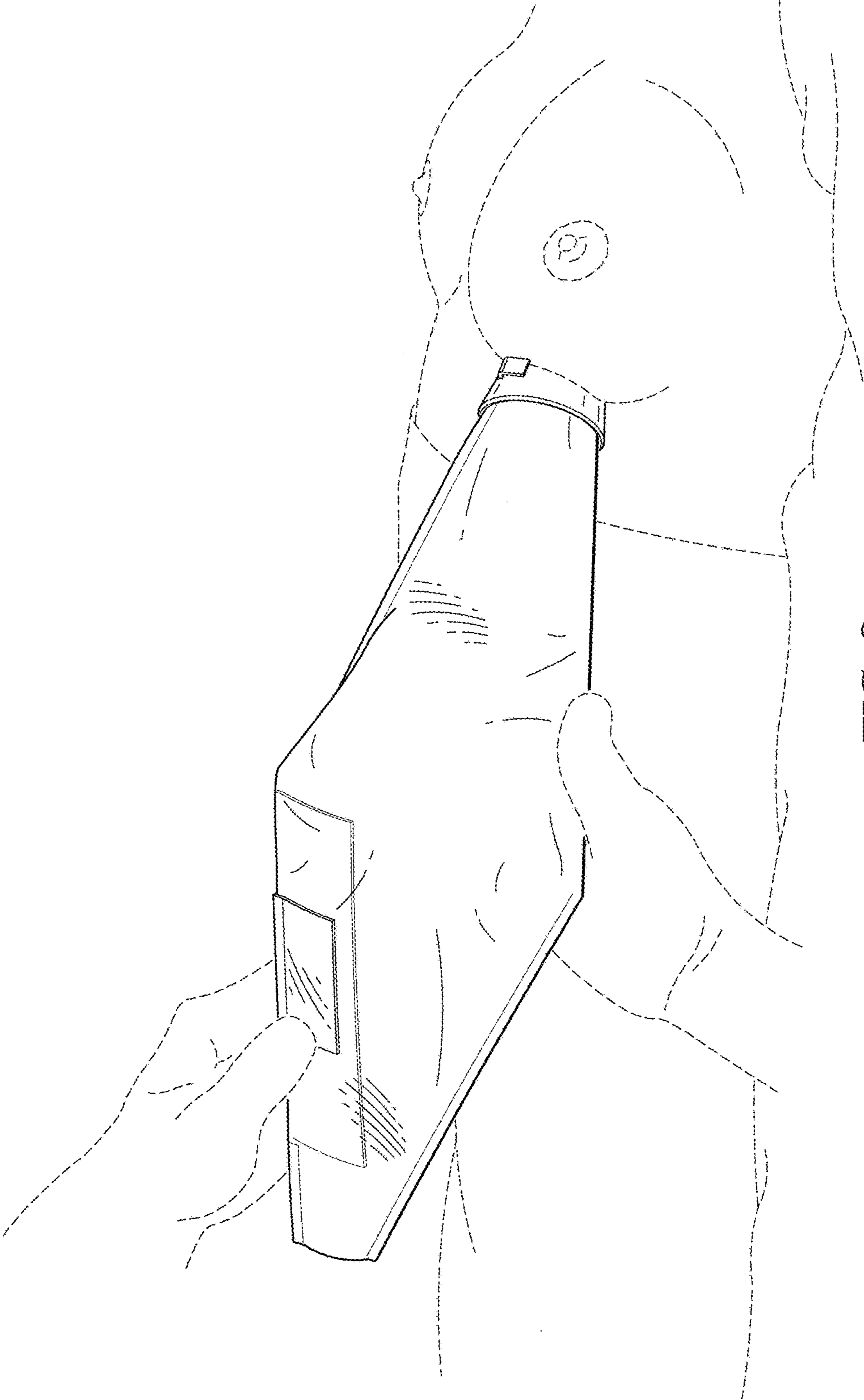


FIG. 8

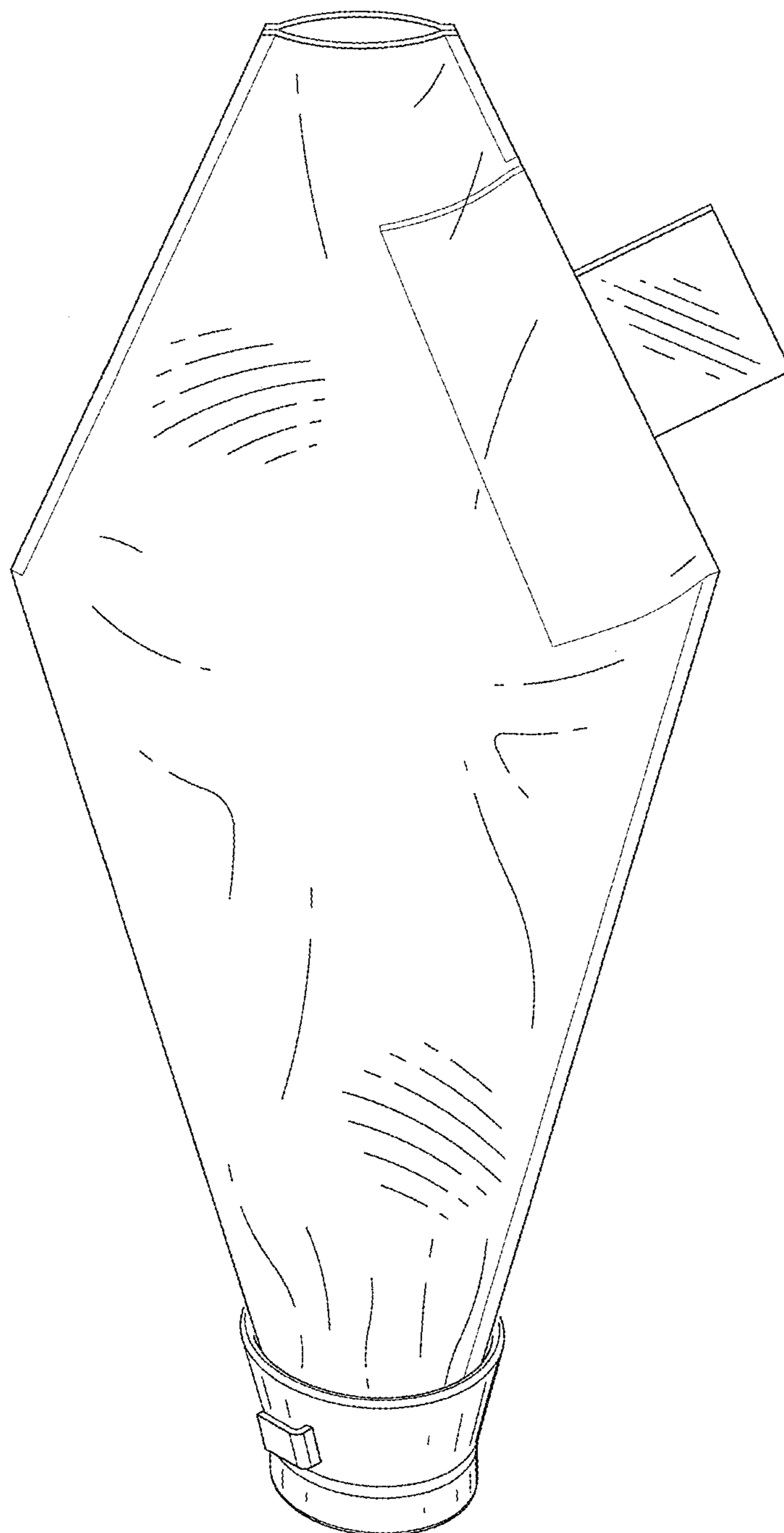


FIG. 9

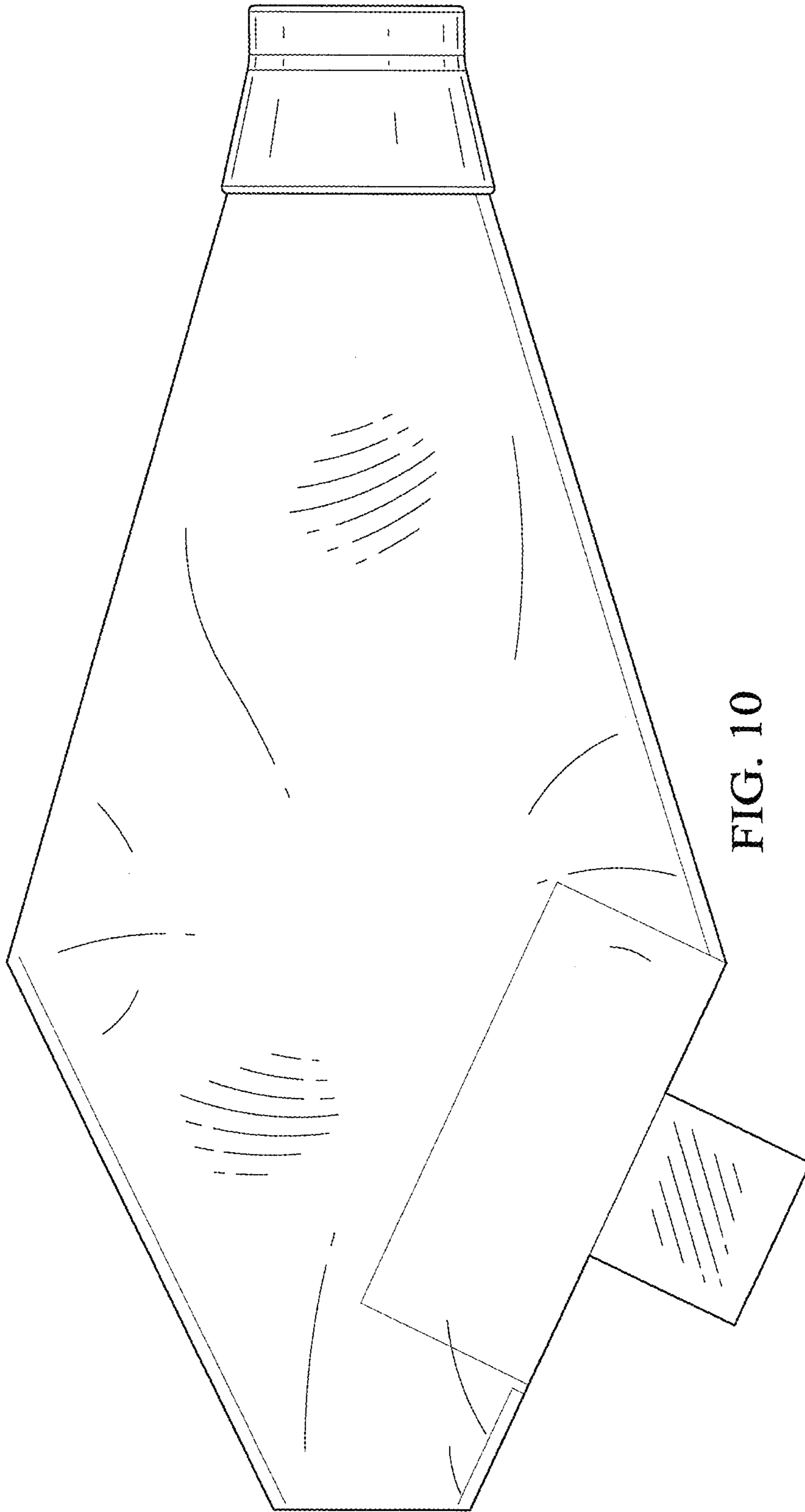


FIG. 10