



US00D776805S

(12) **United States Design Patent**  
**Homsy et al.**

(10) **Patent No.:** **US D776,805 S**

(45) **Date of Patent:** **\*\* Jan. 17, 2017**

- (54) **INJECTION CATHETER HANDLE**
- (71) Applicant: **CARDIO3 BIOSCIENCES S.A.**,  
Mont-Saint-Guibert (BE)
- (72) Inventors: **Christian Homsy**, Woluwe-Saint-Pierre  
(BE); **Jean-Pierre Latere Dwan'isa**,  
Wavre (BE)
- (73) Assignee: **CELYAD S.A.**, Mont-Saint-Guibert  
(BE)

- 5,827,239 A 10/1998 Dillon et al.
- 5,857,997 A \* 1/1999 Cimino et al. .... 604/95.01
- 5,984,907 A \* 11/1999 McGee et al. .... 604/525
- D468,205 S 1/2003 Pierce
- 6,589,208 B2 7/2003 Ewers et al.
- D484,801 S 1/2004 Pierce
- D490,315 S 5/2004 Kiser
- D500,892 S 1/2005 Chen
- D504,508 S 4/2005 Patrickson
- D510,233 S 10/2005 Giannone

(Continued)

- (\*\*) Term: **14 Years**
- (21) Appl. No.: **29/469,257**
- (22) Filed: **Oct. 8, 2013**

**FOREIGN PATENT DOCUMENTS**

- WO 2010125159 A1 11/2010
- WO 2010125166 A1 11/2010

*Primary Examiner* — David Muller  
*Assistant Examiner* — Nathan Johnston  
 (74) *Attorney, Agent, or Firm* — Schwabe, Williamson &  
 Wyatt, P.C.

- (30) **Foreign Application Priority Data**
- Apr. 8, 2013 (EP) ..... 002216143-0001
- (51) **LOC (10) Cl.** ..... **24-02**
- (52) **U.S. Cl.**  
USPC ..... **D24/112**
- (58) **Field of Classification Search**  
USPC ..... D24/127-131, 112-114, 133, 186;  
606/181, 185; 604/264, 272, 115, 232,  
604/187, 158, 164.08, 192, 263, 163, 181,  
604/184, 198, 227; 600/101, 139, 143;  
128/200.24, 128/207.14, 207.15  
CPC ..... A61B 18/1492; A61B 2018/00577;  
A61B 2017/003; A61M 25/0147; A61M  
25/0136  
See application file for complete search history.

(57) **CLAIM**

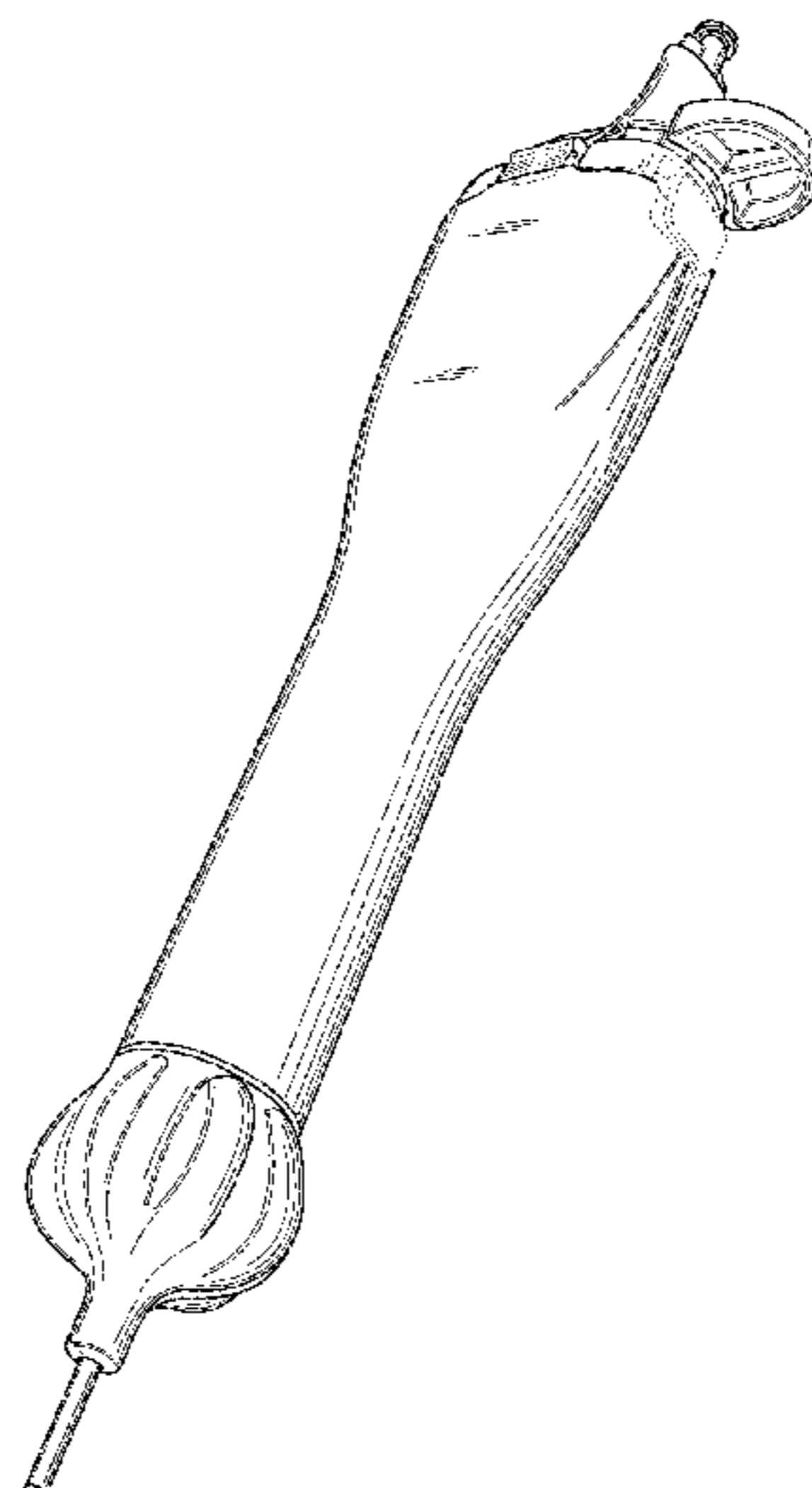
We claim the ornamental design for an injection catheter handle, as shown and described.

**DESCRIPTION**

FIG. 1 is a perspective view of injection catheter handle, showing our new design;  
 FIG. 2 is a front elevation view thereof;  
 FIG. 3 is a left side elevation view thereof;  
 FIG. 4 is a right side elevation view thereof;  
 FIG. 5 is front elevation view thereof with the handle in an extended configuration;  
 FIG. 6 is a top plan view thereof;  
 FIG. 7 is a bottom plan view thereof;  
 FIG. 8 is a perspective view showing the invention in a different environment;  
 FIG. 9 is a left side elevation view thereof; and,  
 FIG. 10 is a right side elevation view thereof.  
 The dashed lines are included for illustrating environmental structure and form no part of the claimed design.

- (56) **References Cited**
- U.S. PATENT DOCUMENTS
- D294,063 S 2/1988 Smith
- D316,208 S 4/1991 Griffiths et al.
- D338,955 S 8/1993 Gresi et al.
- D360,260 S 7/1995 Brandt
- D373,190 S \* 8/1996 Monson ..... D24/112

**1 Claim, 10 Drawing Sheets**



(56)

References Cited

U.S. PATENT DOCUMENTS

D513,378 S 1/2006 Lin  
 D533,776 S 12/2006 Allen et al.  
 D553,982 S 10/2007 Erb  
 D577,997 S 10/2008 Pan  
 D585,994 S 2/2009 Mulhauser et al.  
 D614,297 S 4/2010 Criscuolo et al.  
 D616,990 S \* 6/2010 Suzuki ..... D24/186  
 D623,918 S 9/2010 Arvinte et al.  
 7,806,870 B2 10/2010 Mastri et al.  
 D631,153 S 1/2011 McGlothlin et al.  
 D637,871 S 5/2011 Frank  
 8,002,749 B2 8/2011 Macatangay et al.  
 D652,137 S 1/2012 Nino et al.  
 D652,251 S 1/2012 Goralski et al.  
 D660,957 S \* 5/2012 Lee-Sepsick ..... D24/112  
 D663,530 S 7/2012 Duwa  
 D675,485 S 2/2013 Frank

D678,512 S \* 3/2013 Bow ..... D24/112  
 D678,768 S 3/2013 Agassi et al.  
 D681,456 S 5/2013 Agarwal et al.  
 D687,950 S 8/2013 Gitman  
 D688,127 S 8/2013 Agassi et al.  
 D693,641 S 11/2013 Slaker et al.  
 D695,114 S 12/2013 McDonald et al.  
 D700,329 S 2/2014 Lim  
 D704,337 S 5/2014 Dunn  
 D708,740 S \* 7/2014 Osypka et al. .... D24/127  
 D709,184 S \* 7/2014 Lee-Sepsick ..... D24/112  
 D714,436 S \* 9/2014 Lee-Sepsick ..... D24/112  
 2003/0181859 A1 9/2003 Brunel  
 2003/0225375 A1 \* 12/2003 Coleman et al. .... 604/165.03  
 2004/0230218 A1 11/2004 Criscuolo et al.  
 2011/0301551 A1 \* 12/2011 Koehler et al. .... 604/263  
 2013/0144253 A1 \* 6/2013 Ryan et al. .... 604/500  
 2014/0018775 A1 1/2014 Swords et al.  
 2014/0228804 A1 \* 8/2014 Castillo ..... 604/506

\* cited by examiner

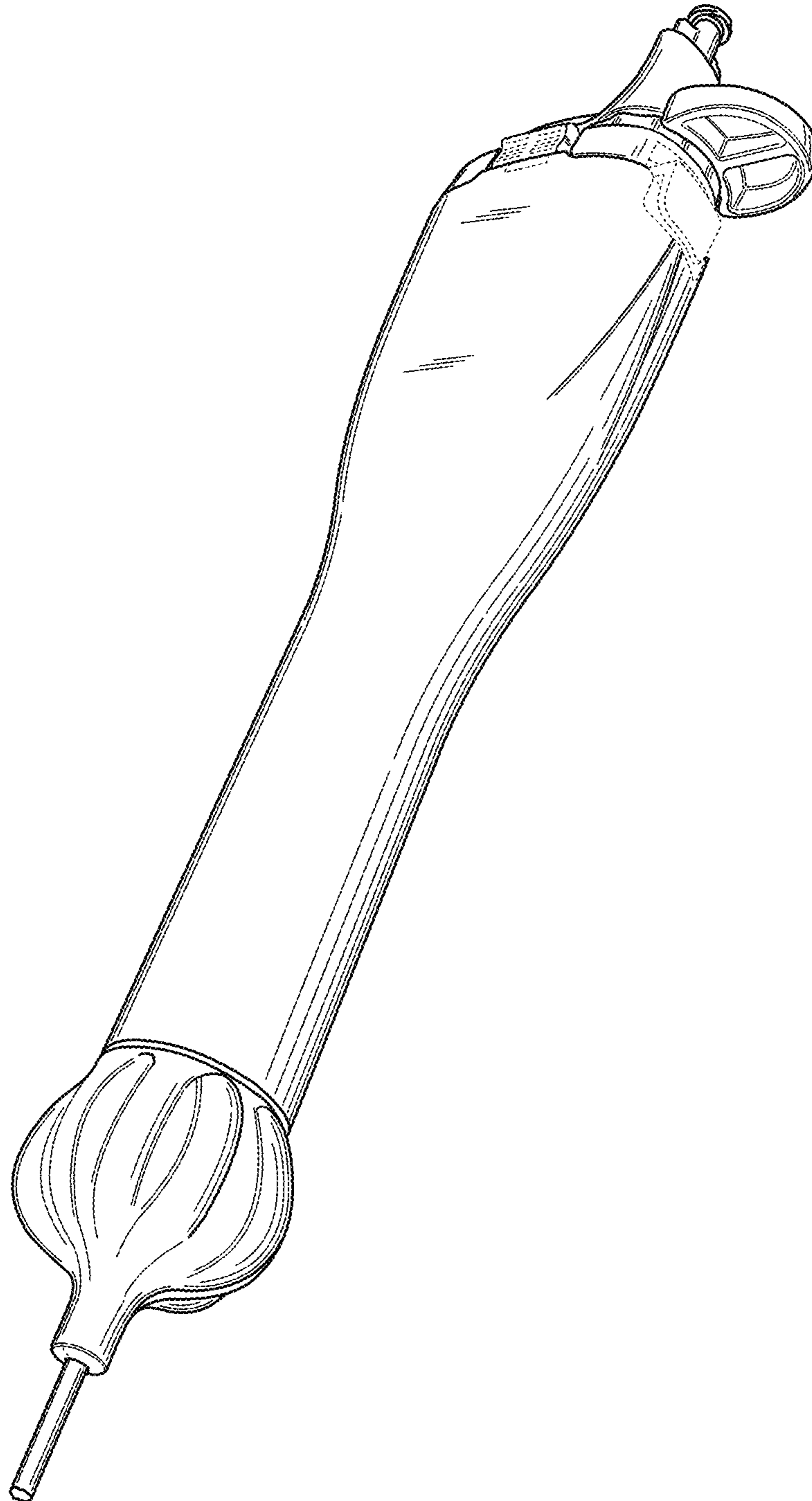


Fig. 1

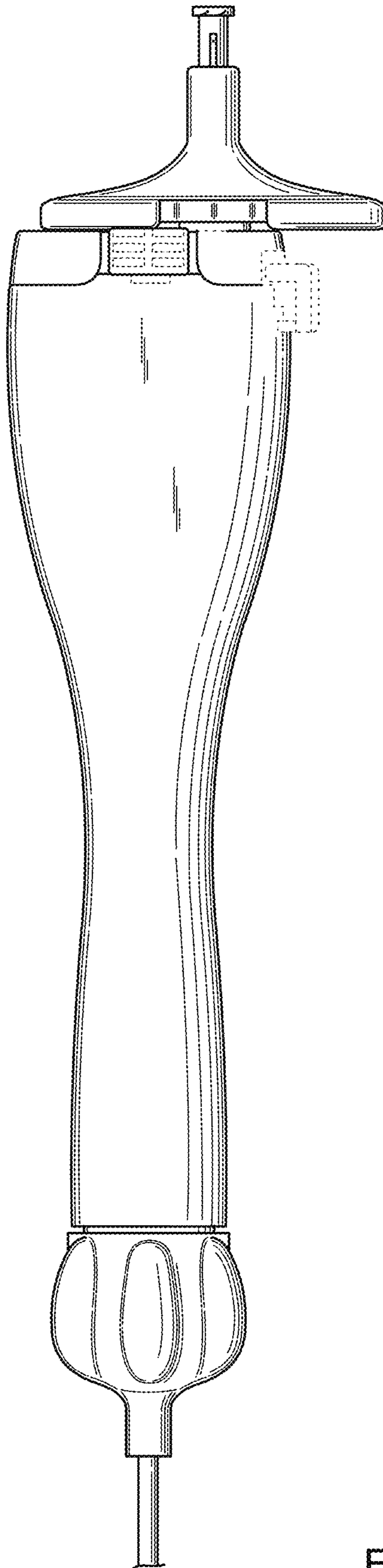


Fig. 2

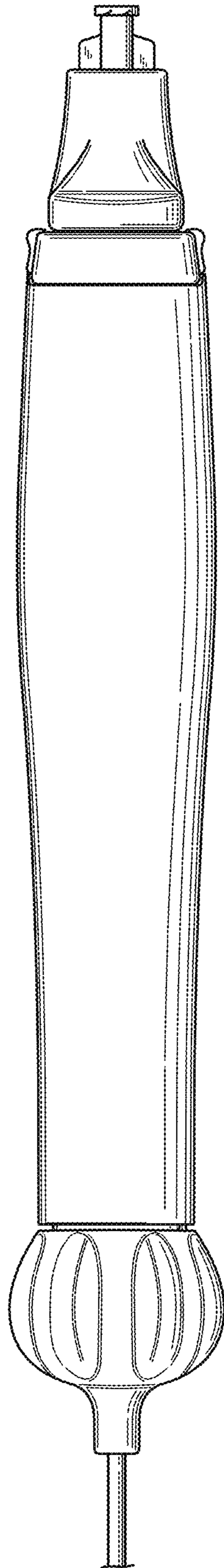


Fig. 3

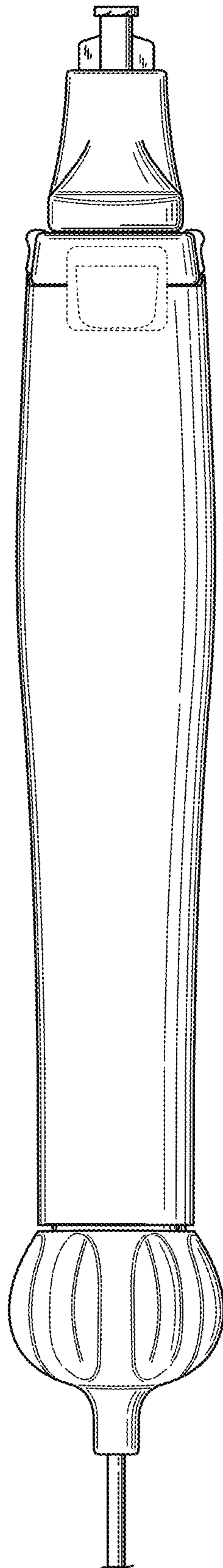


Fig. 4

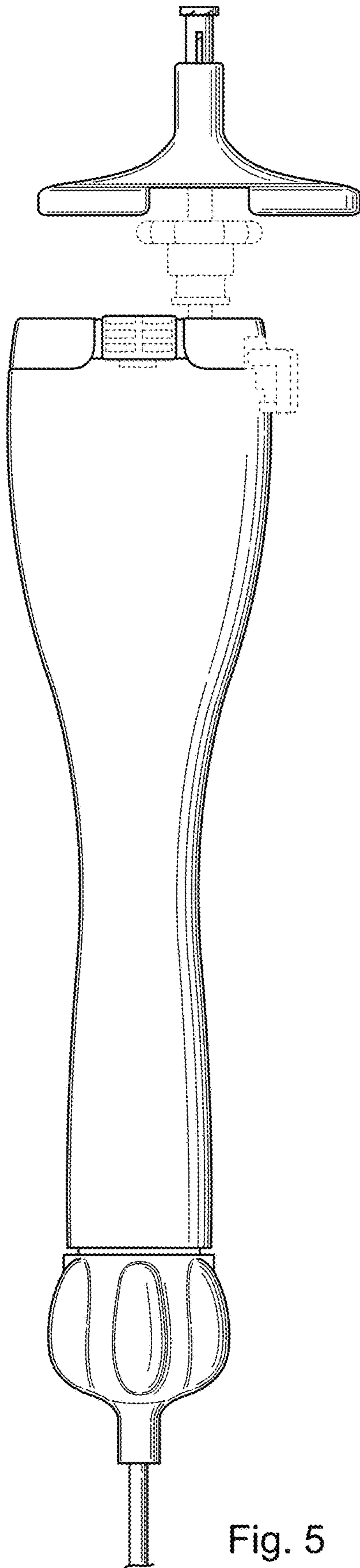


Fig. 5

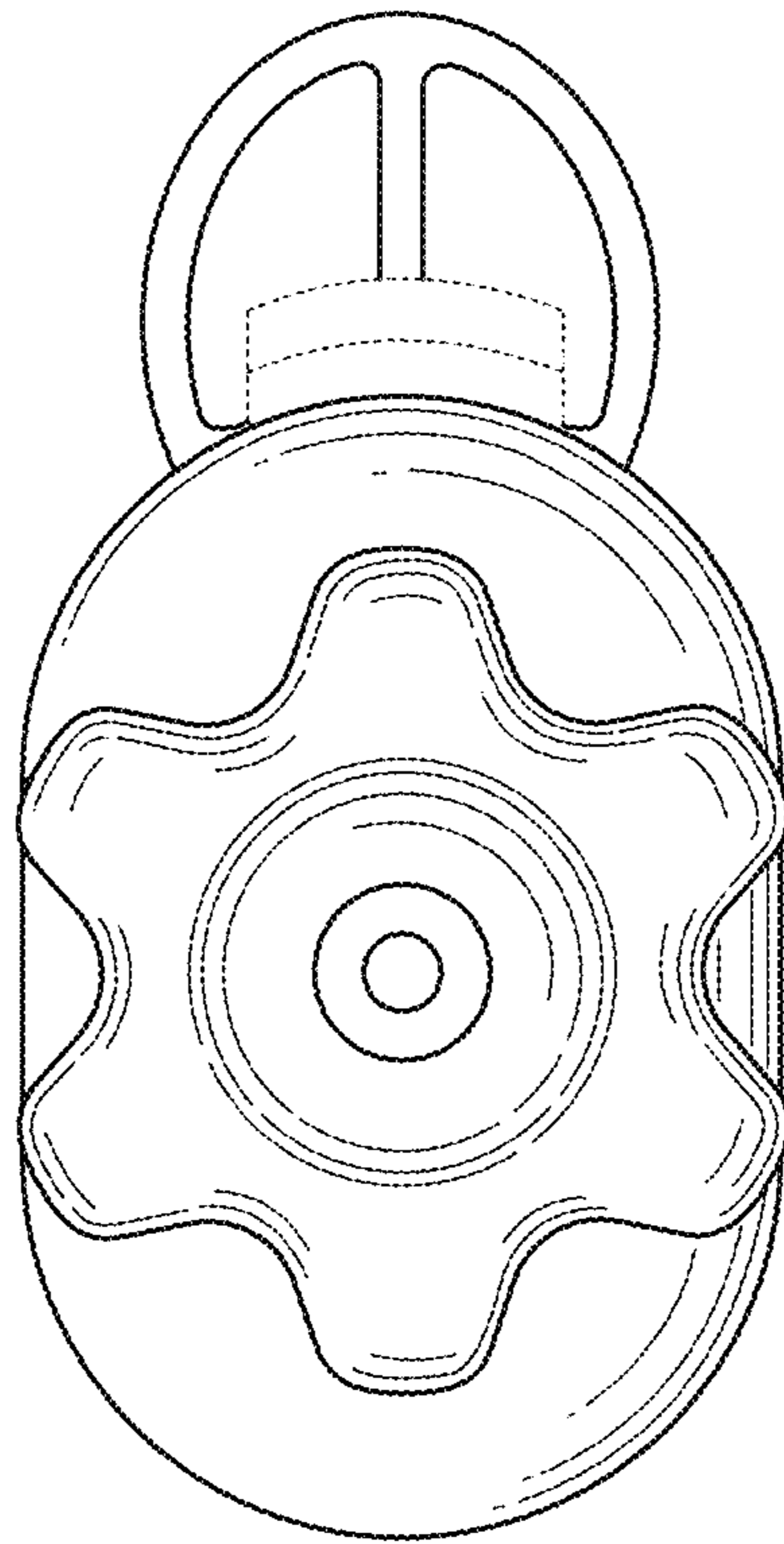


Fig. 6



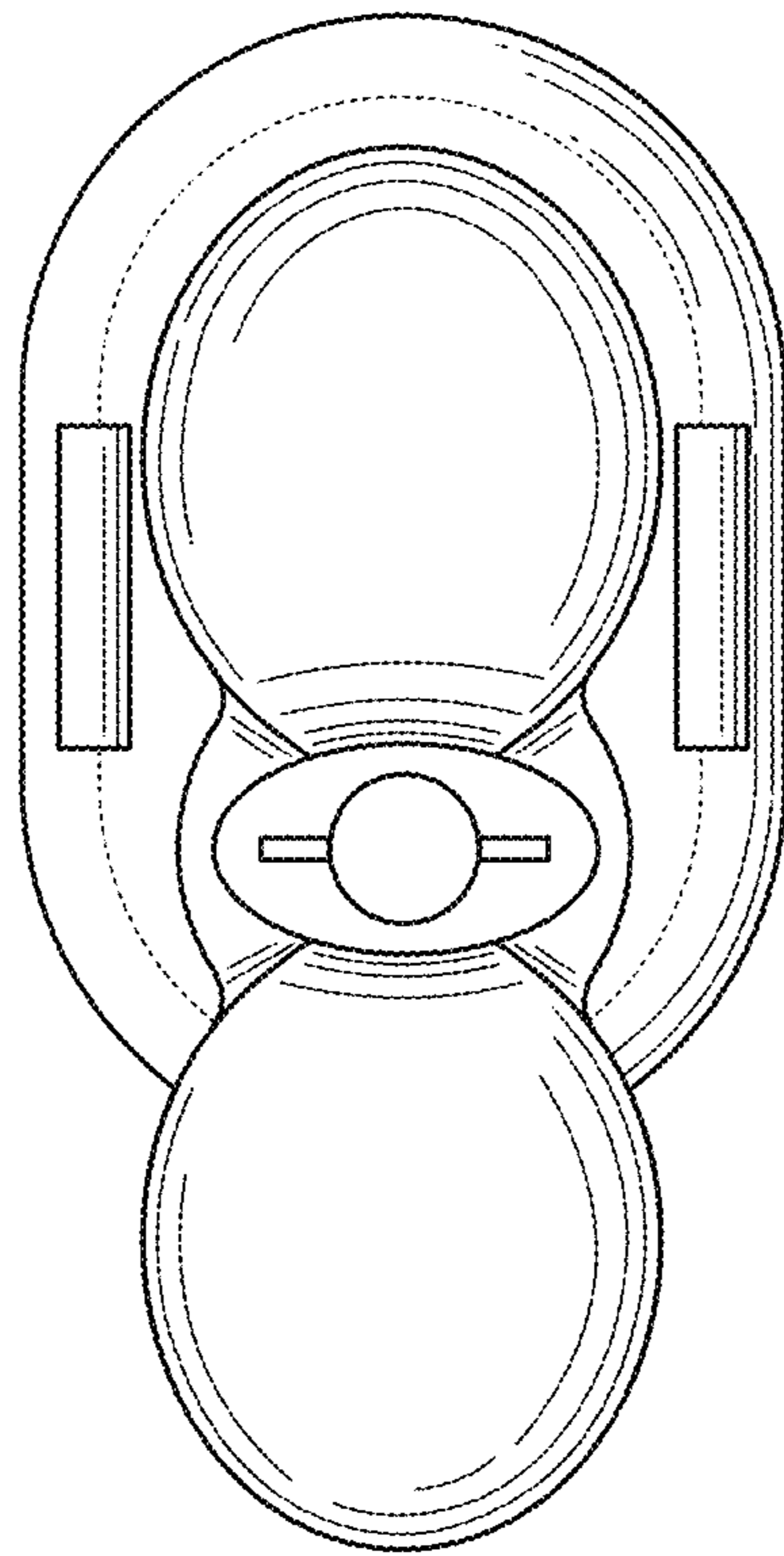


Fig. 7

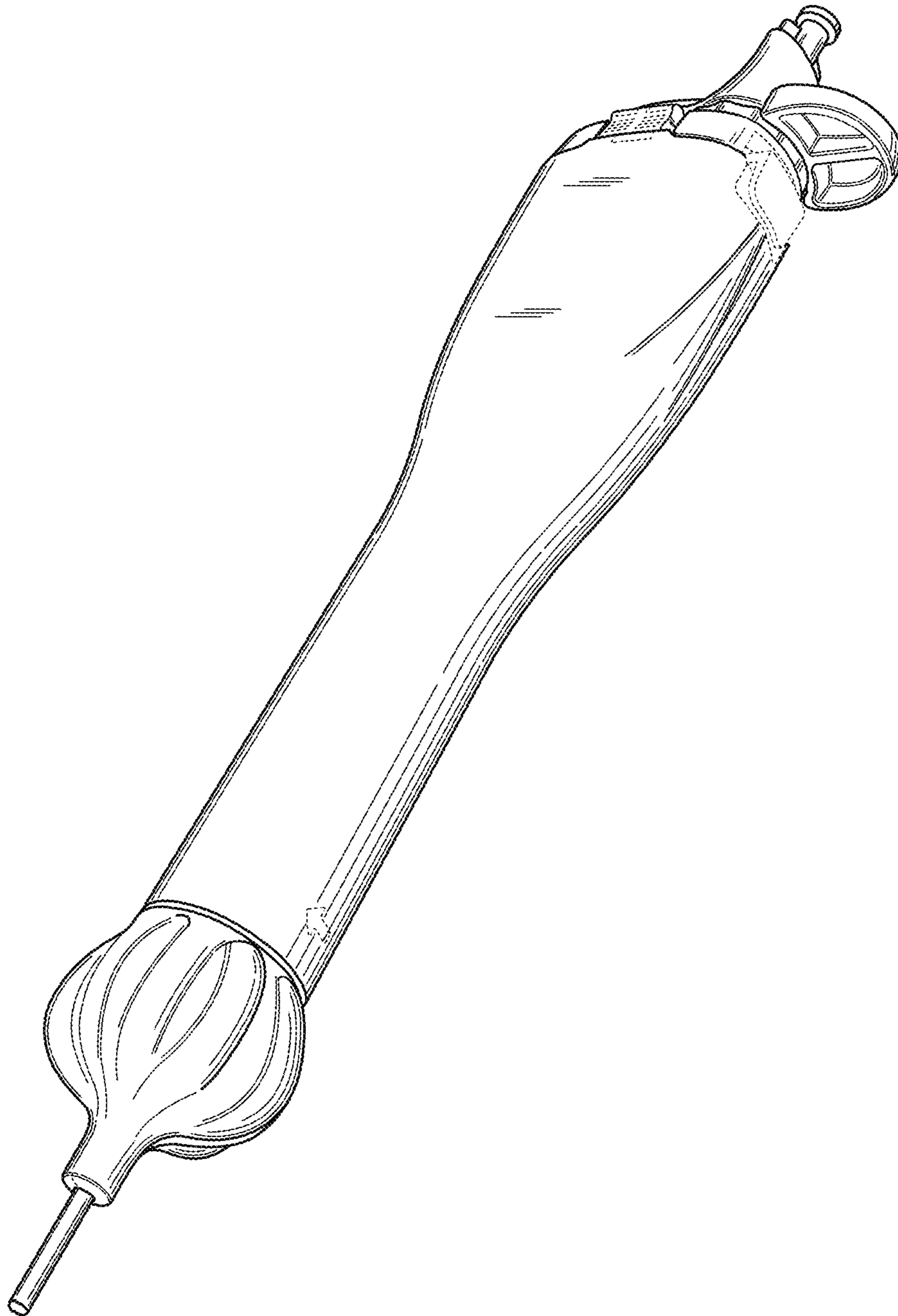


Fig. 8

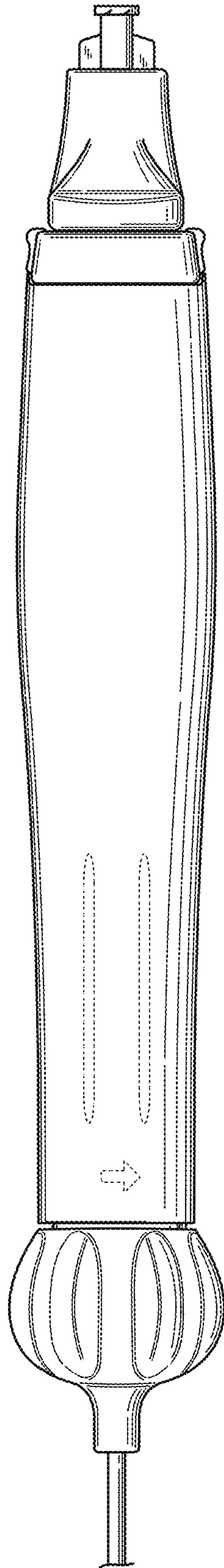


Fig. 9

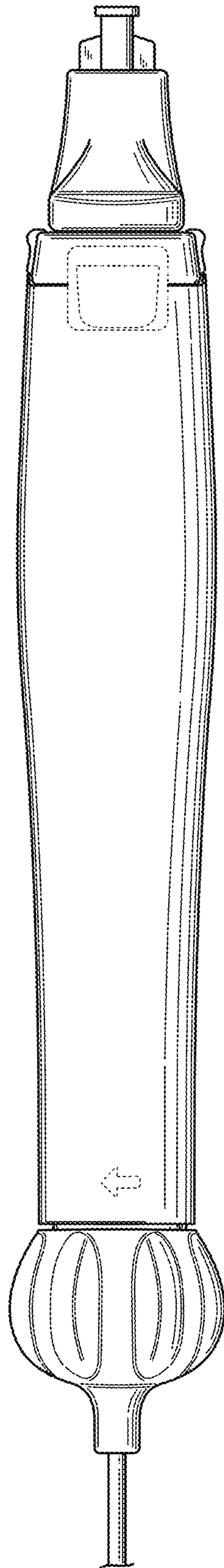


Fig. 10