



US00D776800S

(12) **United States Design Patent** (10) **Patent No.:** **US D776,800 S**
King et al. (45) **Date of Patent:** **** Jan. 17, 2017**

(54) **VOLATILE SUBSTANCE DISPENSER**

D632,284 S * 2/2011 Takahashi D14/230
D661,790 S * 6/2012 Majerowski D23/366
D686,721 S * 7/2013 Wirz D23/366

(71) Applicant: **Reckitt Benckiser (Brands) Limited**,
Slough, Berkshire (GB)

* cited by examiner

(72) Inventors: **Stuart King**, Warwick (GB); **David Sanders**, Warwick (GB)

Primary Examiner — Sandra Snapp

(73) Assignee: **Reckitt Benckiser (Brands) Limited**,
Slough, Berkshire (GB)

(74) *Attorney, Agent, or Firm* — Norris McLaughlin & Marcus PA

(**) Term: **15 Years**

(57) **CLAIM**

(21) Appl. No.: **29/542,884**

The ornamental design for a volatile substance dispenser, as shown and described.

(22) Filed: **Oct. 19, 2015**

(30) **Foreign Application Priority Data**

DESCRIPTION

Apr. 27, 2015 (EP) 002690198-0007

(51) **LOC (10) Cl.** **28-99**

(52) **U.S. Cl.**
USPC **D23/366**

(58) **Field of Classification Search**
USPC D23/355–369; D28/5, 6; 261/DIG. 17,
261/DIG. 42, DIG. 47, DIG. 55, DIG. 65,
261/DIG. 70, DIG. 88, DIG. 89; 392/386,
392/389, 394, 395, 403; 239/34, 44, 45,
239/53, 56
CPC A61L 9/02; A61L 9/03; A61L 9/034;
A61L 9/04; A61L 9/12; A61L
9/032; A61L 9/122; A61L 9/127; A61L
9/22
See application file for complete search history.

FIG. 1 is a perspective view of front the volatile substance dispenser;

FIG. 2 is an elevation view from the front of the volatile substance dispenser;

FIG. 3 is an elevation view from the back of the volatile substance dispenser;

FIG. 4 is an elevation view from the side of the volatile substance dispenser;

FIG. 5 is an elevation view from the opposite side of the volatile substance dispenser;

FIG. 6 is a plan view of the top of the volatile substance dispenser; and,

FIG. 7 is a plan view of the bottom of the volatile substance dispenser.

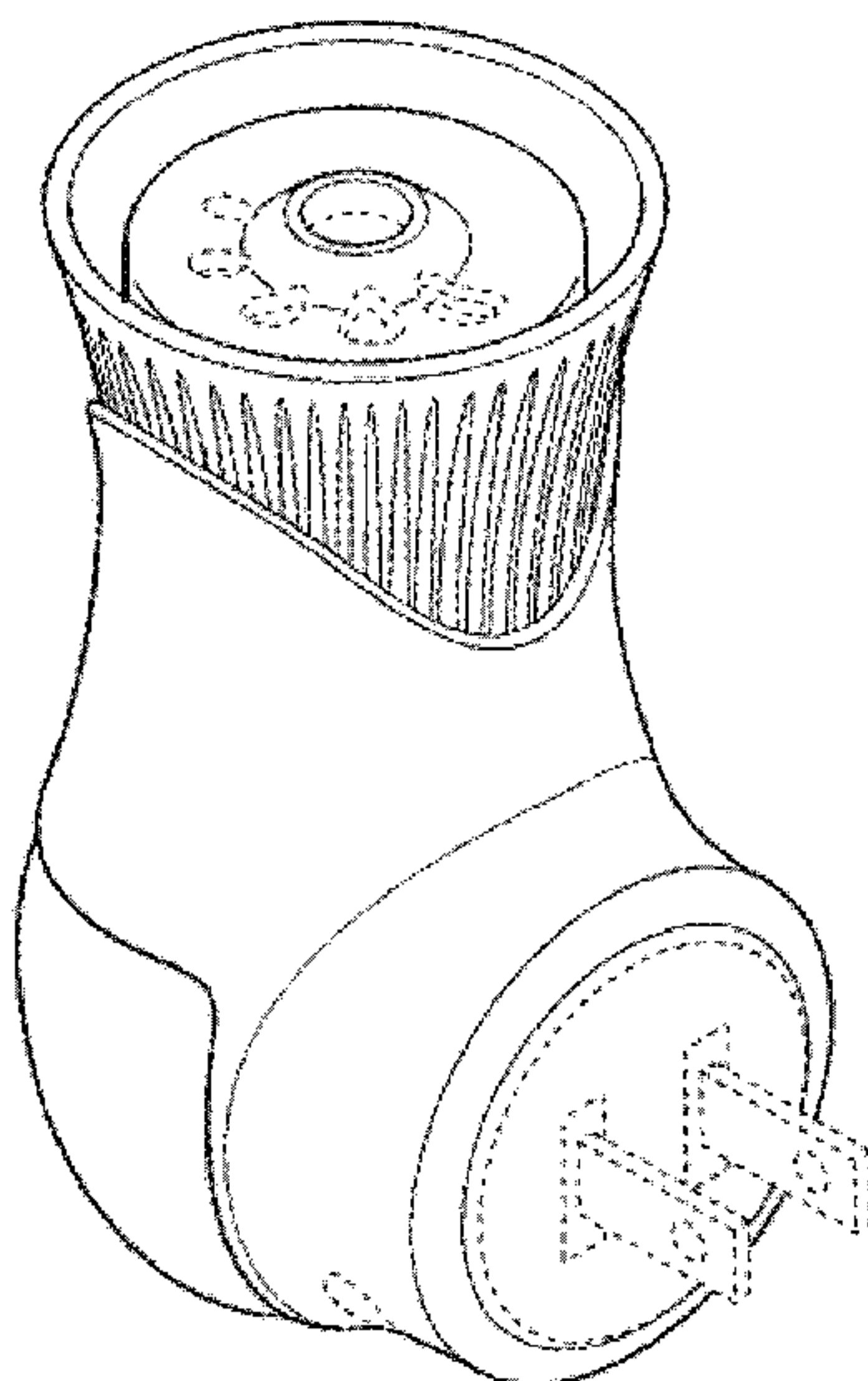
The broken lines showing of parts of the volatile substance dispenser shown in broken lines are for illustrative purposes only and form no part of the claimed design.

(56) **References Cited**

U.S. PATENT DOCUMENTS

6,850,697 B2 * 2/2005 Basaganas Millan .. A61L 9/037
392/390
D507,636 S * 7/2005 Baraky D23/366
D544,592 S * 6/2007 Caserta D23/366

1 Claim, 7 Drawing Sheets



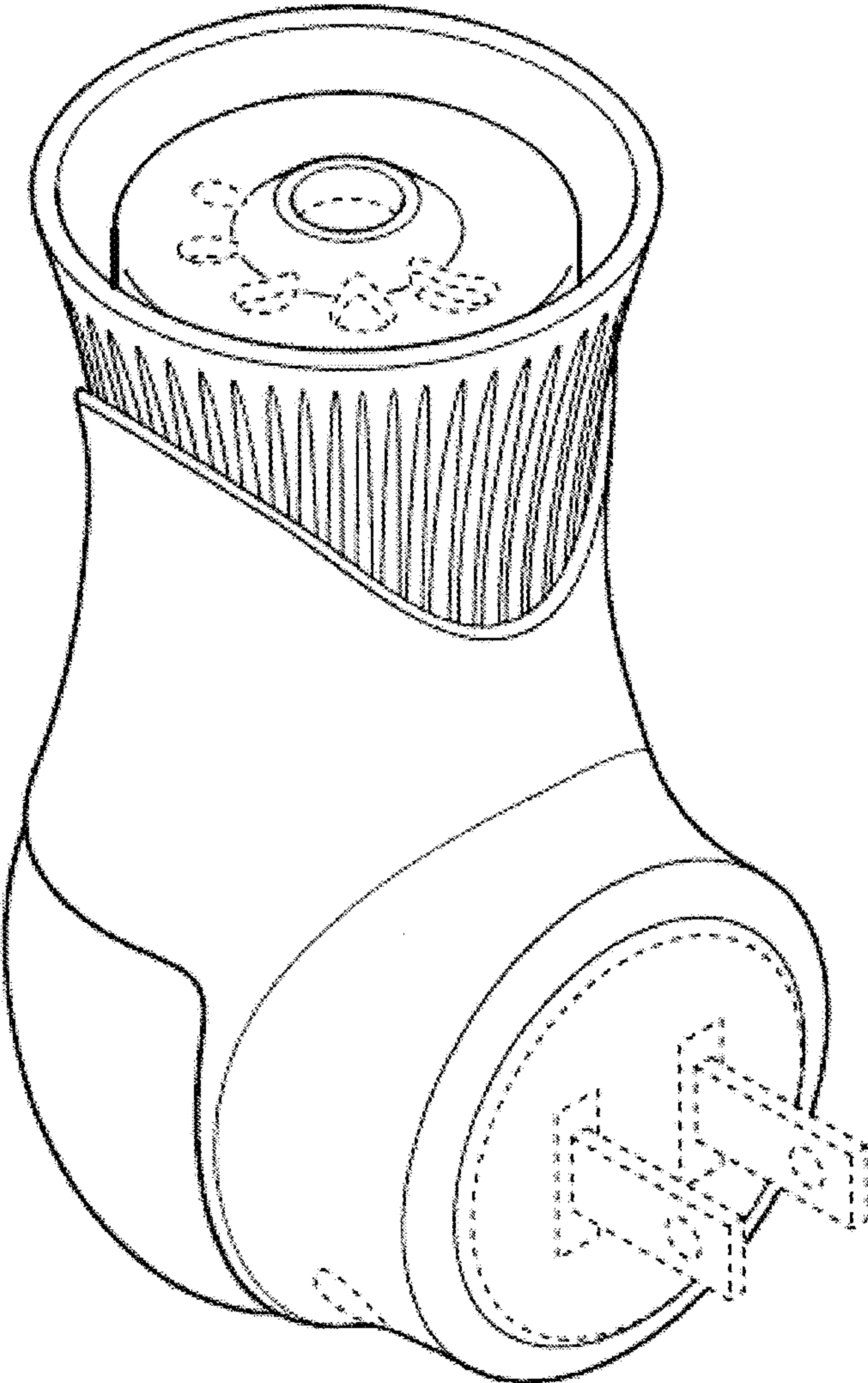


Fig. 1

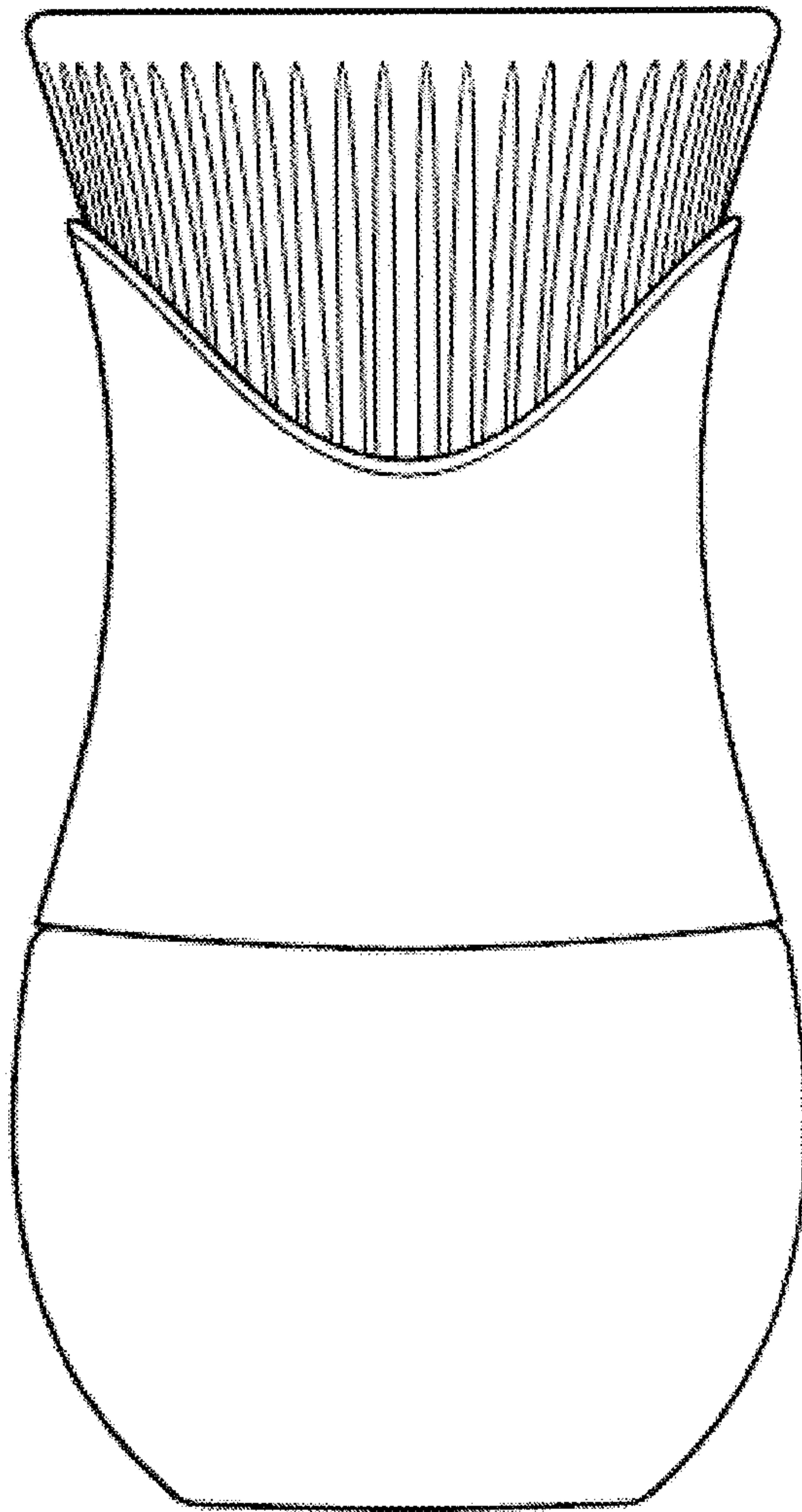


Fig. 2

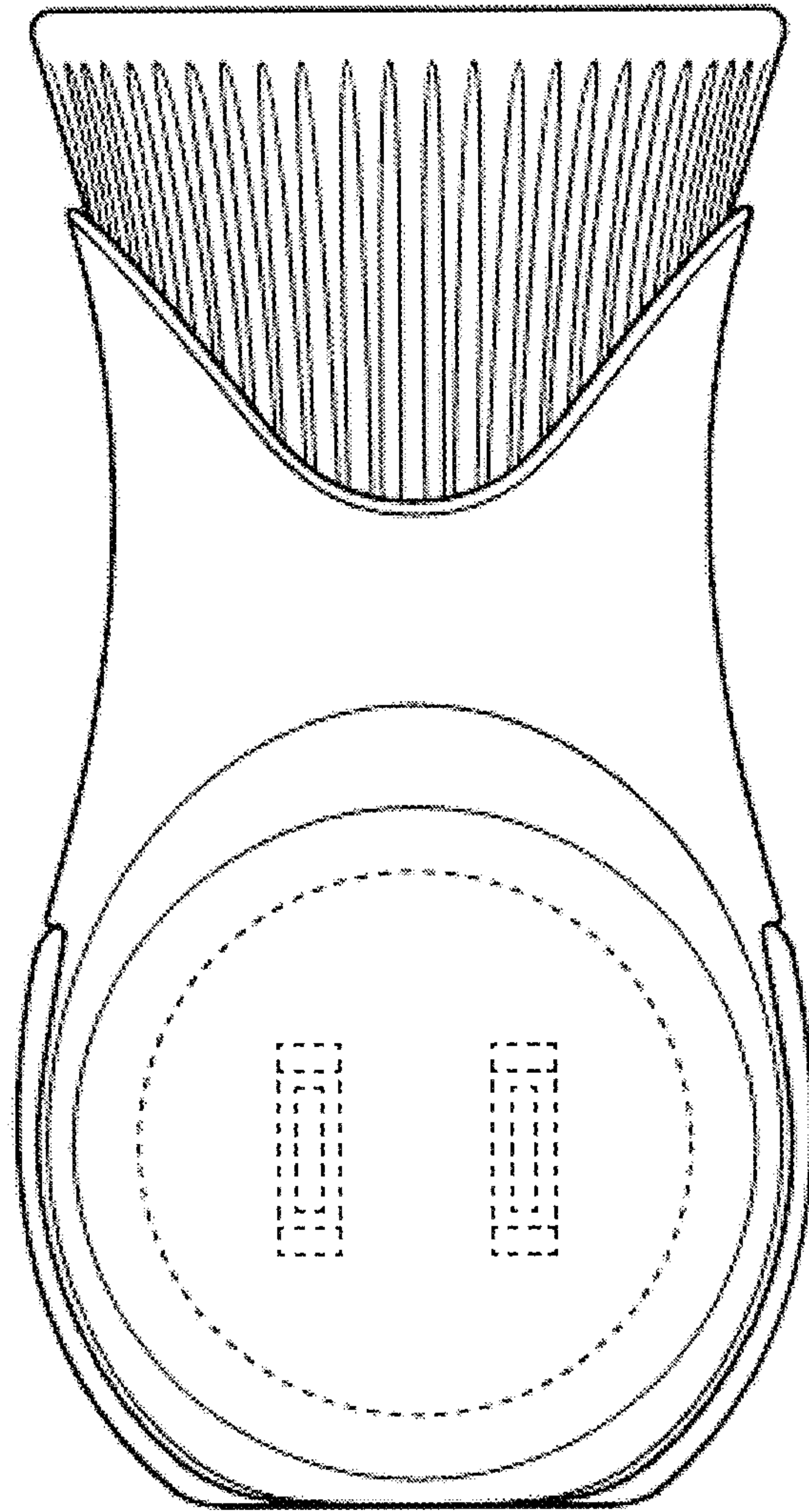


Fig. 3

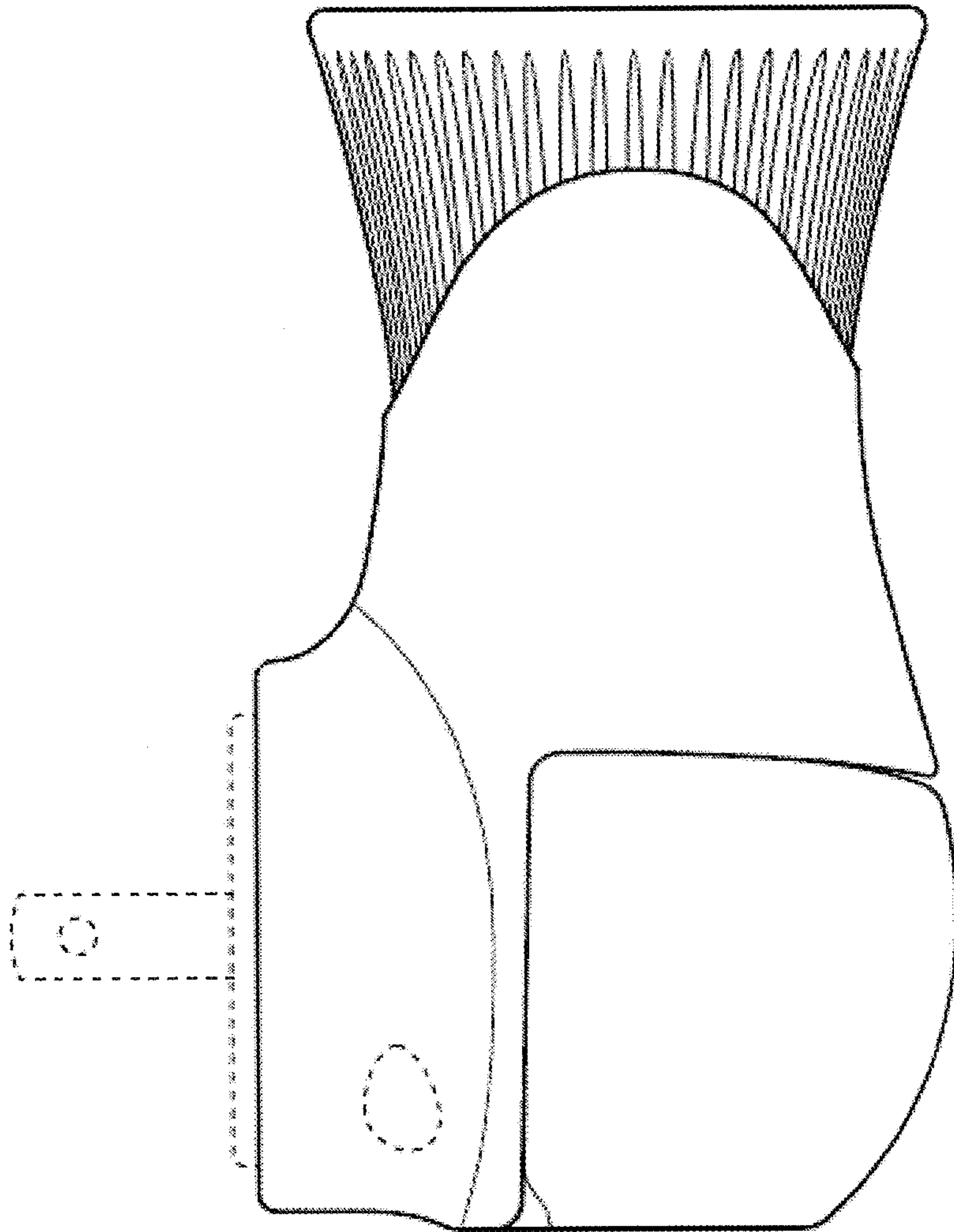


Fig. 4

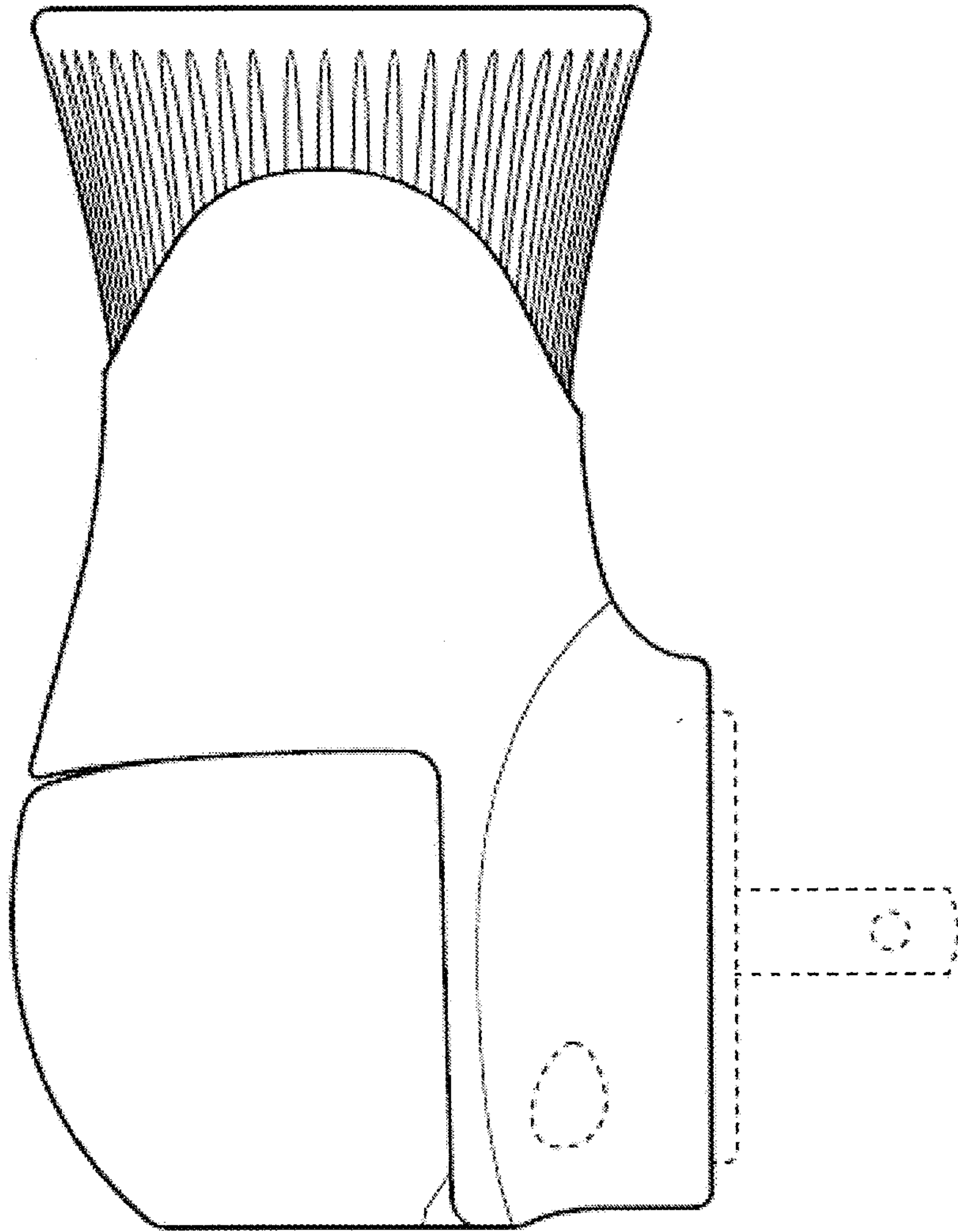


Fig. 5

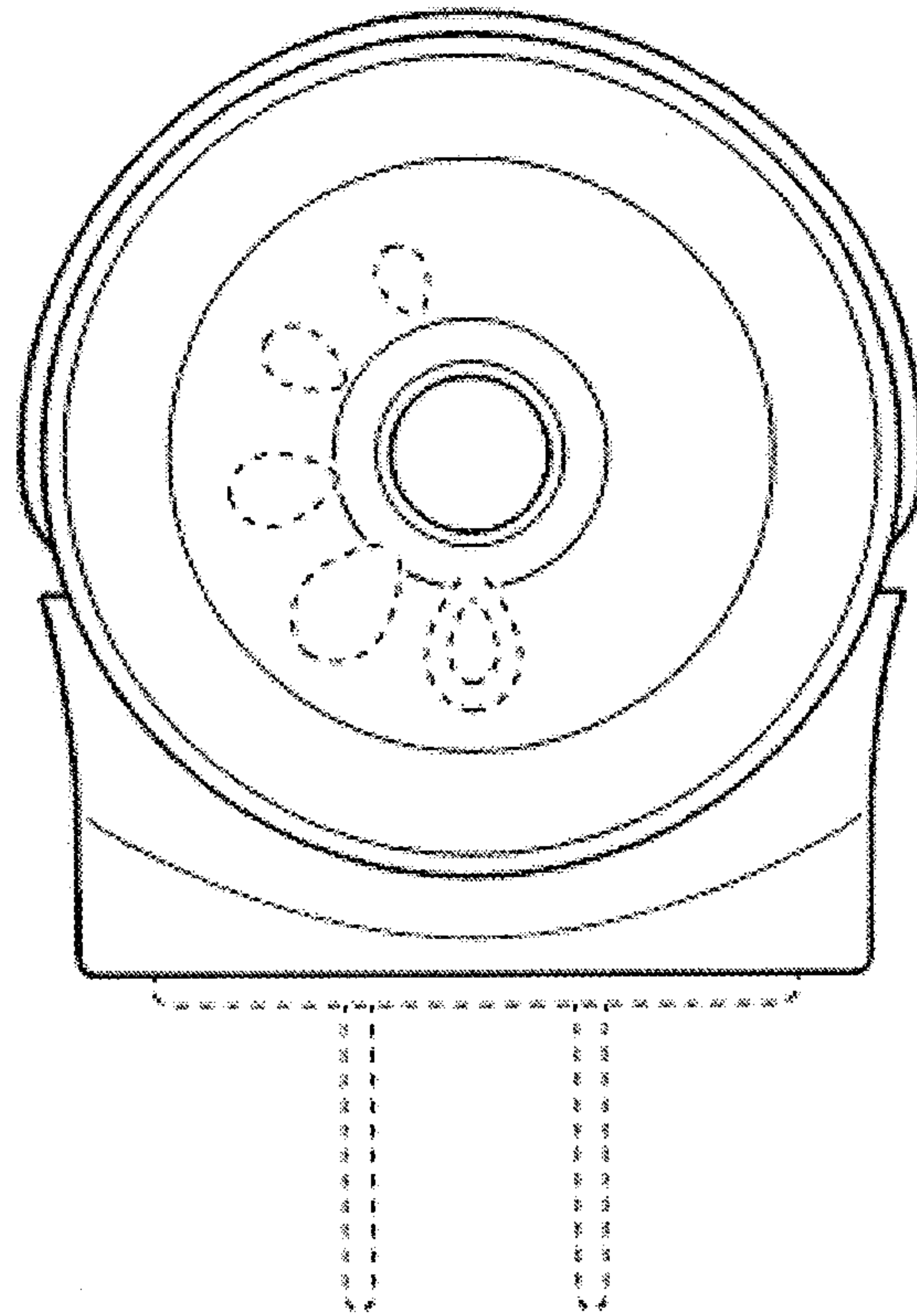


Fig. 6

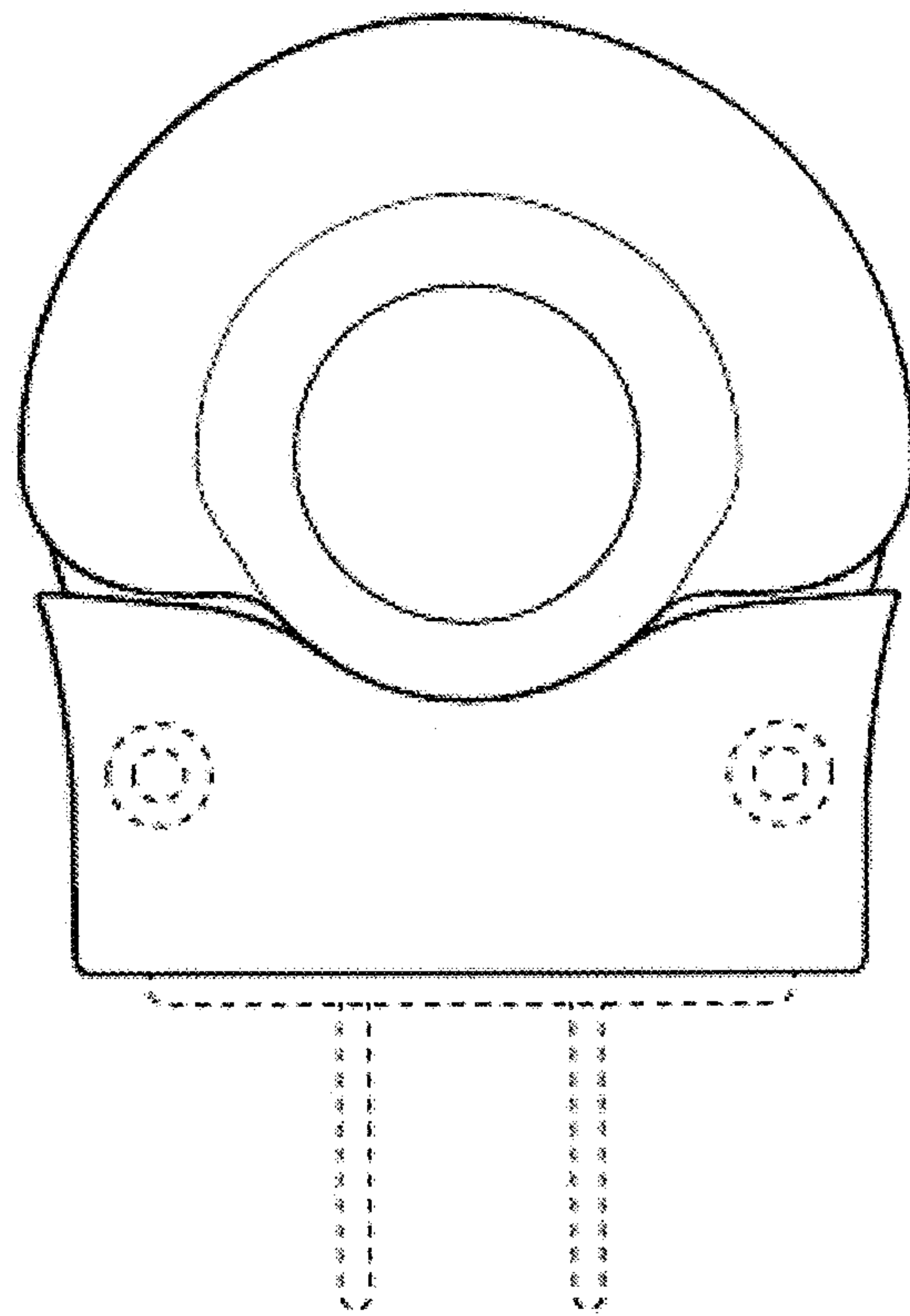


Fig. 7