



US00D776799S

(12) **United States Design Patent** (10) **Patent No.:** **US D776,799 S**
Ikeda (45) **Date of Patent:** **** Jan. 17, 2017**

(54) **AIR CONDITIONER**

(56) **References Cited**

(71) Applicant: **Junichi Ikeda**, Kusatsu (JP)

U.S. PATENT DOCUMENTS

(72) Inventor: **Junichi Ikeda**, Kusatsu (JP)

D564,081 S *	3/2008	Yamamoto	D23/351
D565,158 S *	3/2008	Nagahori	D23/351
D699,825 S *	2/2014	Ikeda	D23/351
D759,226 S *	6/2016	Niki	D23/351
D760,881 S *	7/2016	Saitou	D23/351
D760,882 S *	7/2016	Park	D23/351
D761,404 S *	7/2016	Chouji	D23/351
D761,405 S *	7/2016	Chouji	D23/351
D761,406 S *	7/2016	Zhang	D23/351
D763,421 S *	8/2016	Saitou	D23/351

(73) Assignee: **DAIKIN INDUSTRIES LTD.**,
Osaka-shi, Osaka-Fu (JP)

(**) Term: **15 Years**

* cited by examiner

(21) Appl. No.: **29/551,251**

Primary Examiner — George D. Kirschbaum

(22) Filed: **Jan. 12, 2016**

Assistant Examiner — Natasha Vujcic

(30) **Foreign Application Priority Data**

(74) *Attorney, Agent, or Firm* — Manabu Kanosaka

Jul. 29, 2015 (JP) 2015-016922

(51) **LOC (10) Cl.** **23-04**

(57) **CLAIM**

(52) **U.S. Cl.**

The ornamental design for air conditioner, as shown and described.

USPC **D23/351**

DESCRIPTION

(58) **Field of Classification Search**

USPC D23/333, 335, 341, 342, 351, 353, 354,
D23/355, 356, 359, 364, 365, 370, 385,
D23/386, 388, 393

FIG. 1 is a perspective view of an air conditioner showing my new design;

FIG. 2 is a front view thereof;

FIG. 3 is a rear view thereof;

FIG. 4 is a plan view thereof;

FIG. 5 is a bottom view thereof;

FIG. 6 is a left side view thereof; and,

FIG. 7 is a right side view thereof.

CPC F24F 1/00; F24F 1/0007; F24F 1/02;
F24F 1/08; F24F 1/42; F24F 1/56; F24F
1/60; F24F 3/044; F24F 3/048; F24F 3/16;
F24F 7/00; F24F 7/04; F24F
12/001; F24F 12/006

See application file for complete search history.

1 Claim, 3 Drawing Sheets

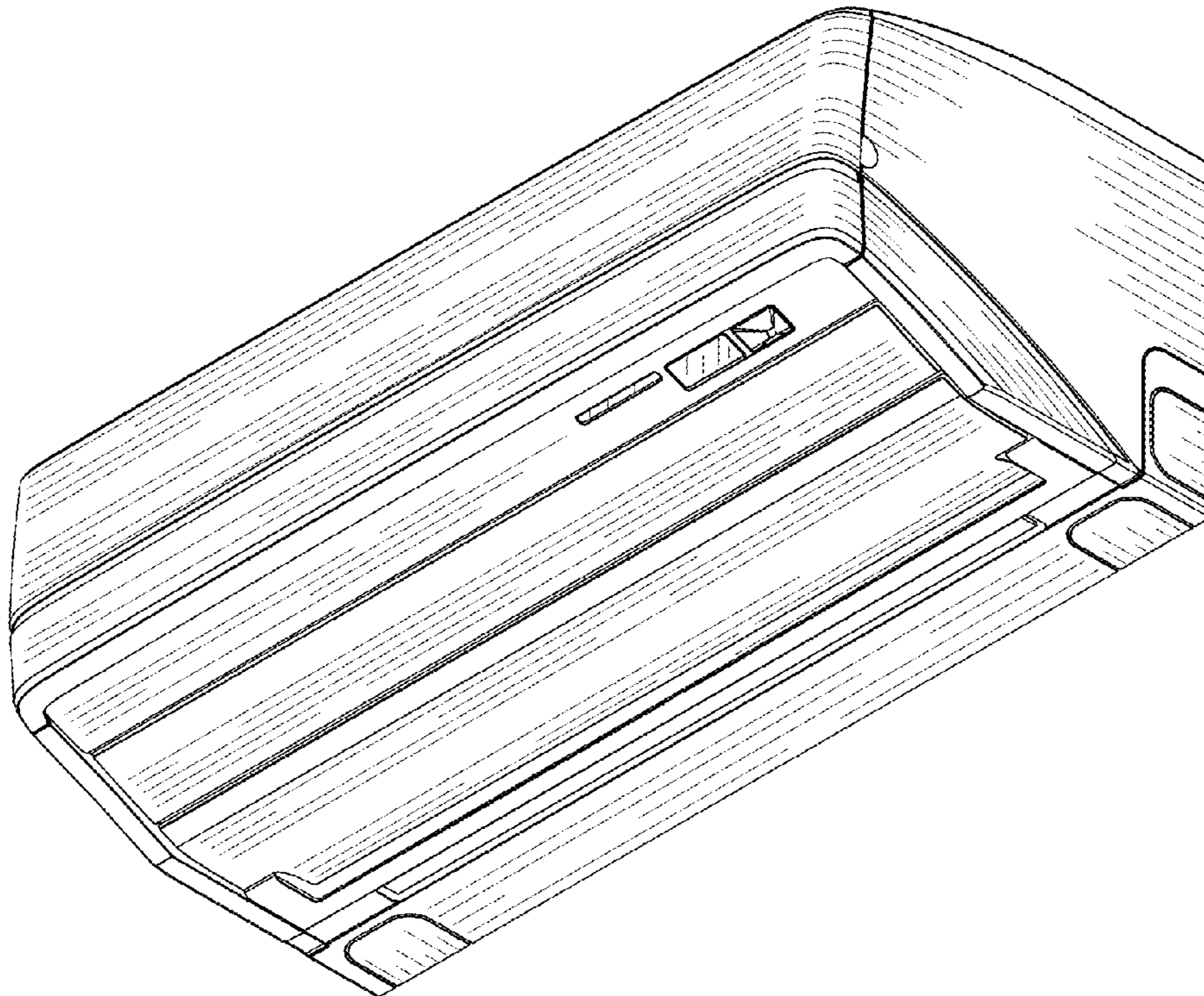


Fig. 1

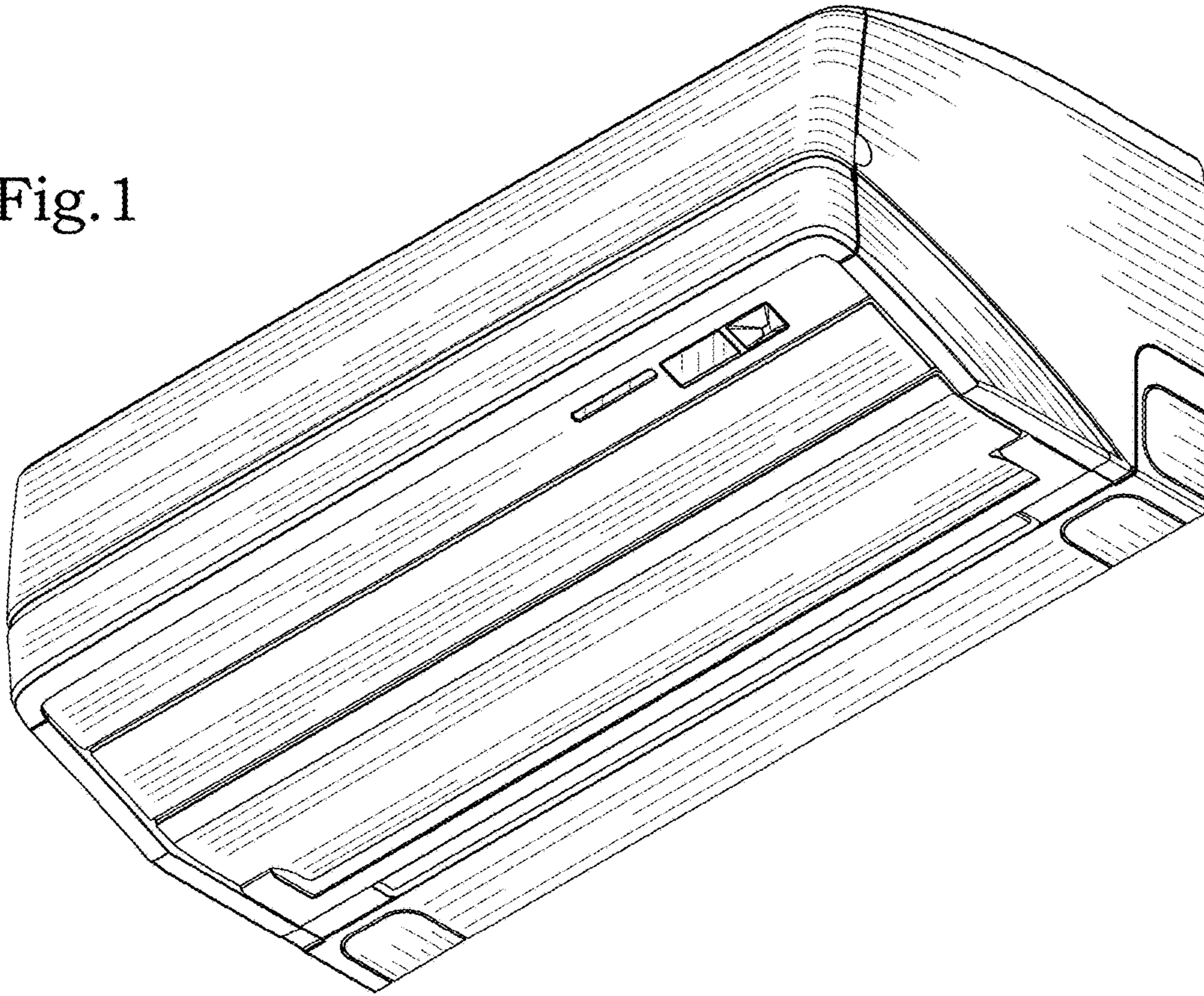


Fig. 2

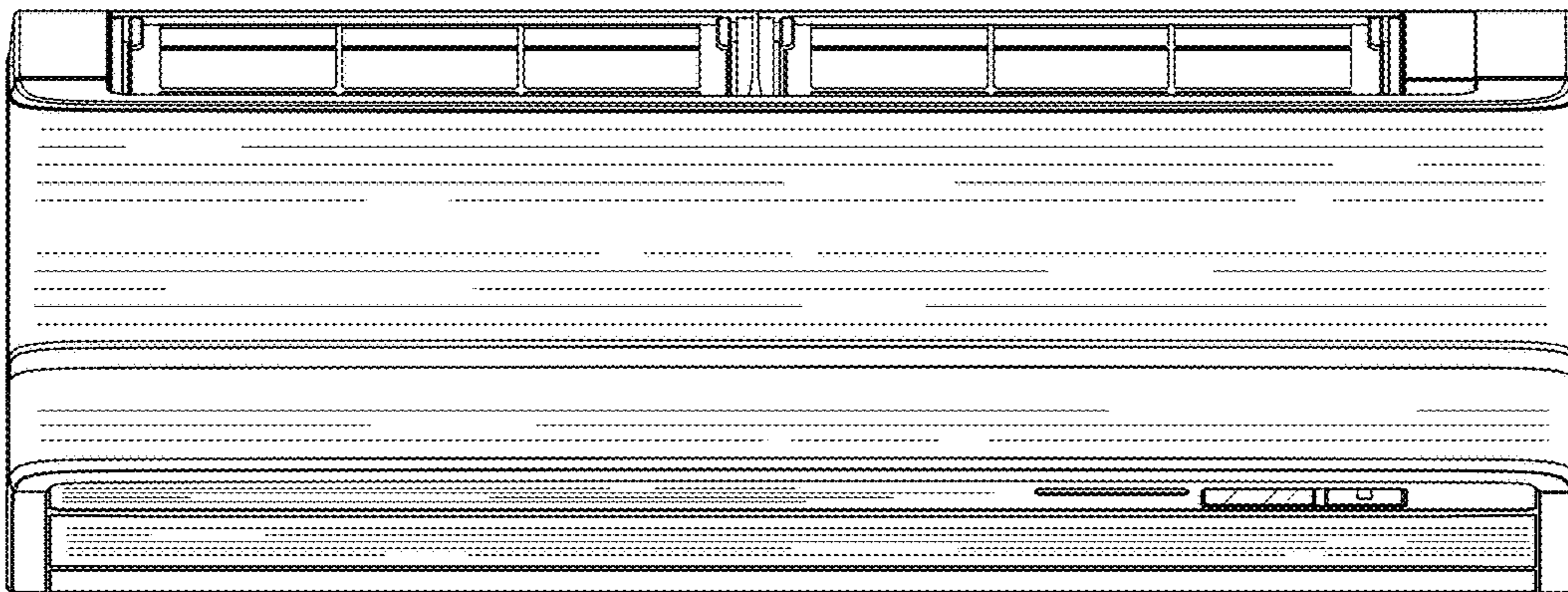


Fig.3

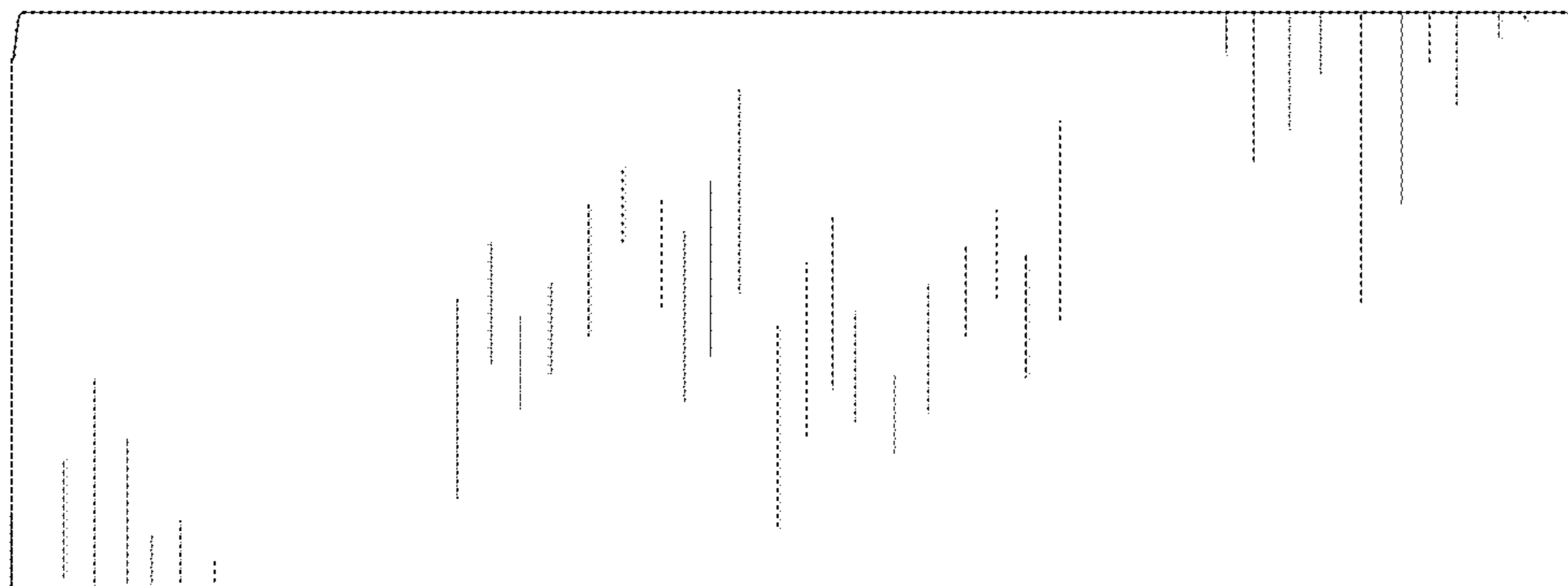


Fig.4

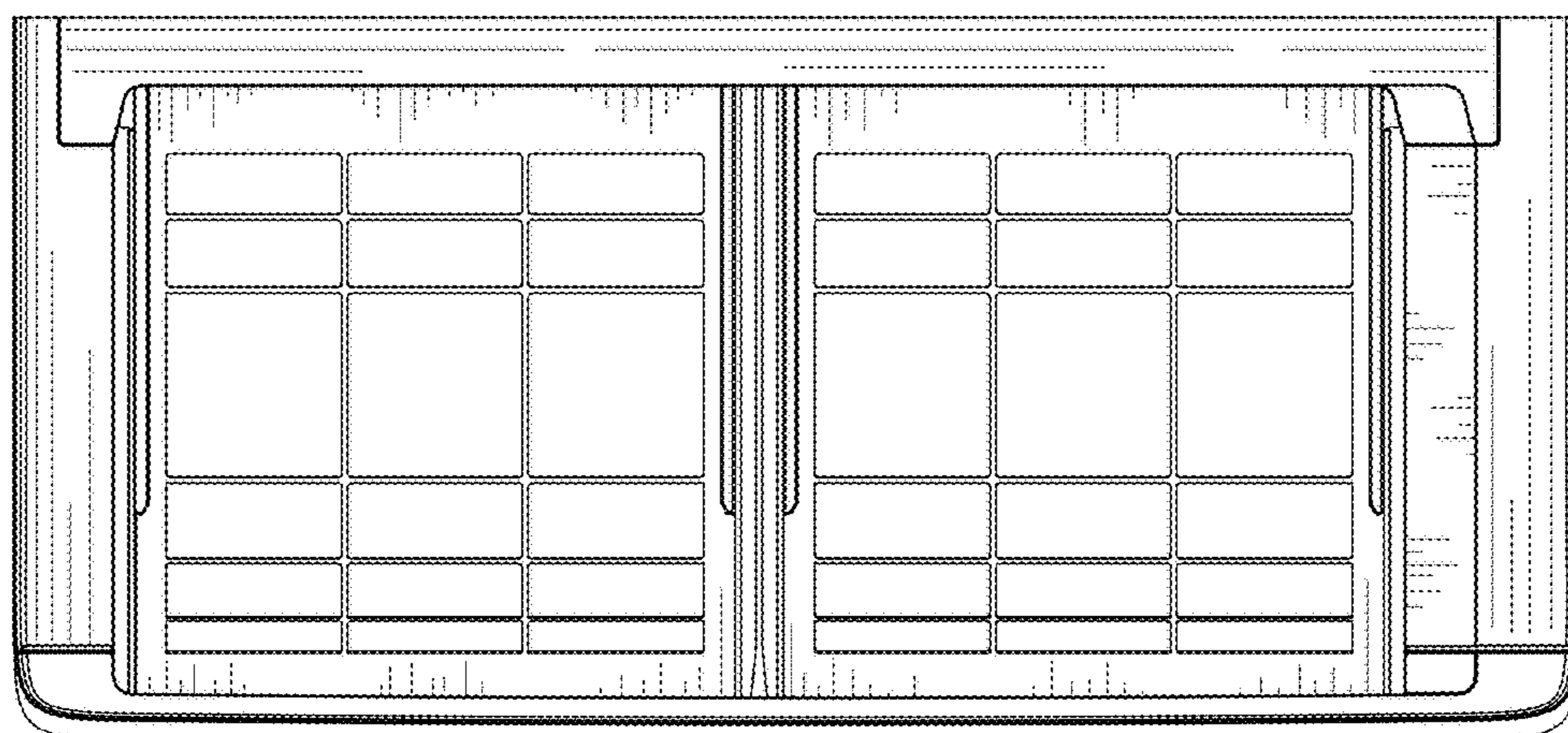


Fig.5

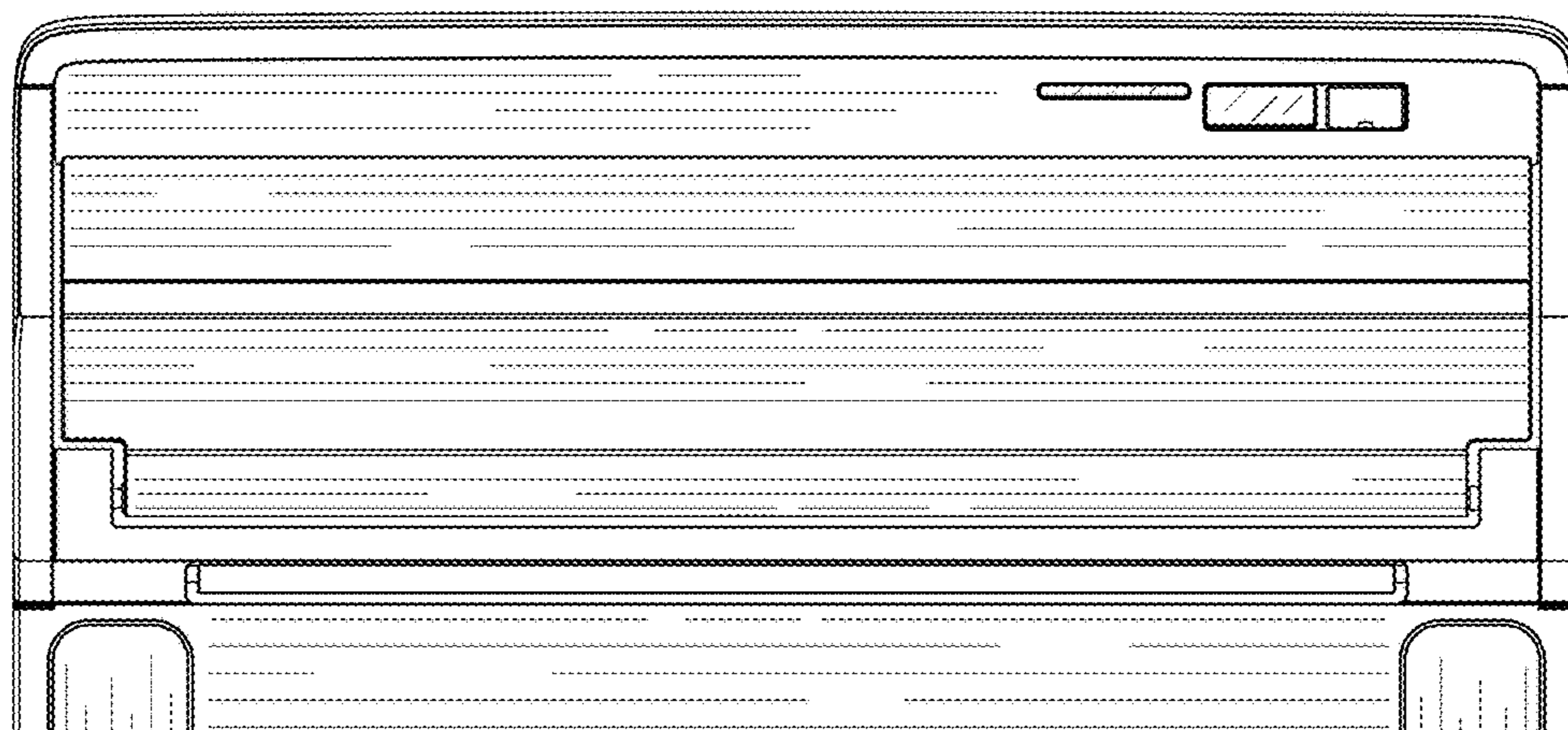


Fig.6

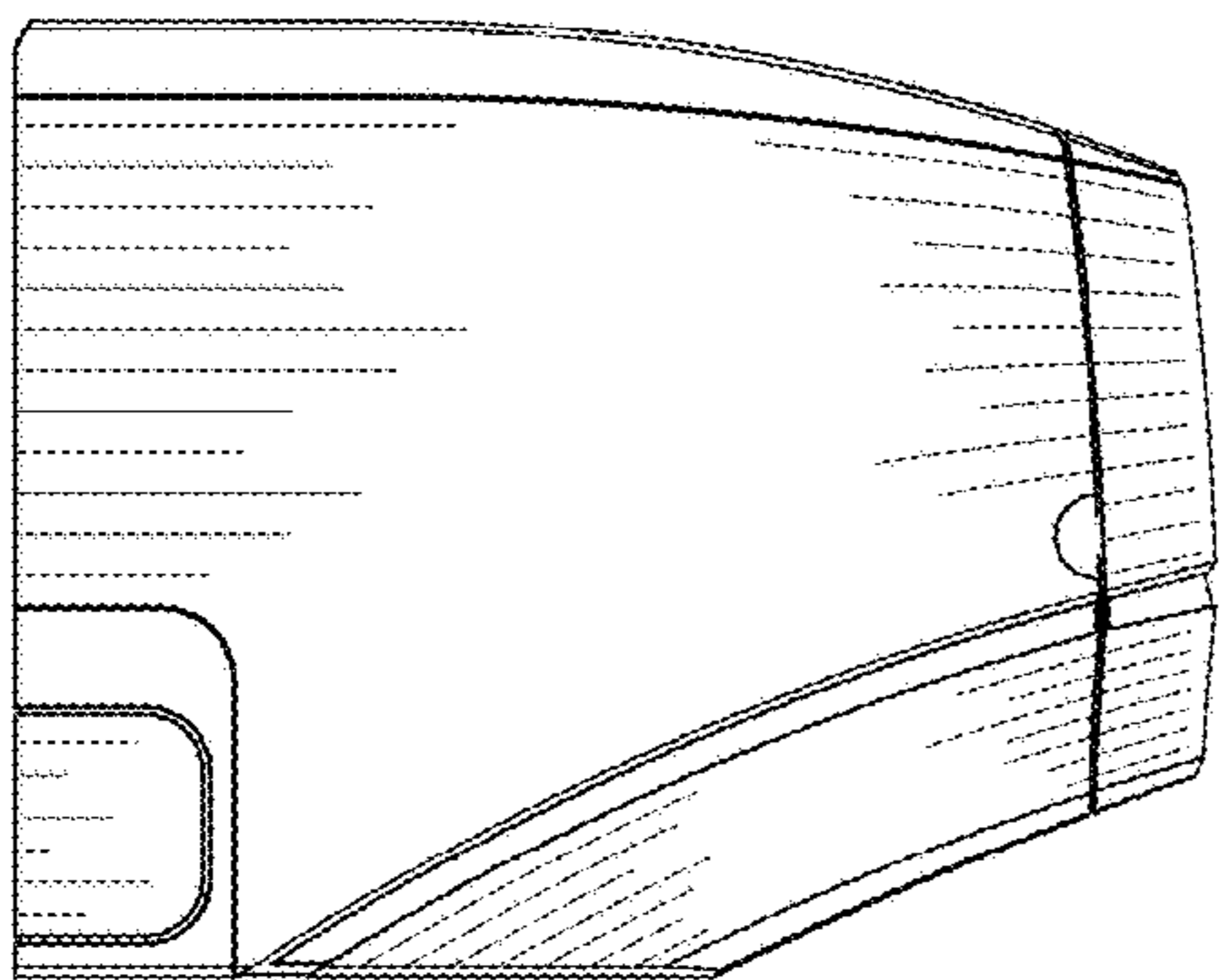


Fig.7

