



US00D776798S

(12) **United States Design Patent** (10) **Patent No.:** **US D776,798 S**
Winkler (45) **Date of Patent:** **** Jan. 17, 2017**

(54) **ADAPTOR FOR A FUEL CARTRIDGE**
 (71) Applicant: **Schawbel Technologies LLC**, Bedford, MA (US)

4,699,123 A 10/1987 Zaborowski
 D300,606 S 4/1989 Schwabel et al.
 D304,667 S * 11/1989 Hutton D19/197
 5,279,452 A * 1/1994 Huynh B60N 3/103
 108/46

(72) Inventor: **Karl Winkler**, Bedford, MA (US)

(Continued)

(73) Assignee: **Schawbel Technologies LLC**, Burlington, MA (US)

FOREIGN PATENT DOCUMENTS

(**) Term: **14 Years**

EP 1820247 A2 8/2007
 KR 100539710 B1 12/2005
 WO 2006054080 A2 5/2006

(21) Appl. No.: **29/526,381**

Primary Examiner — Robert M Spear

Assistant Examiner — Marissa J Cash

(22) Filed: **May 8, 2015**

(74) *Attorney, Agent, or Firm* — Brown Rudnick LLP

(51) **LOC (10) Cl.** **23-04**

(57) **CLAIM**

(52) **U.S. Cl.**
 USPC **D23/332**

The ornamental design for an adaptor for a fuel cartridge, as shown and described.

(58) **Field of Classification Search**
 USPC D27/100–112, 120, 125–130, 136, 137, D27/138, 143, 161, 162–169, 172, 175, D27/180, 183, 193, 194, 195; D3/228, D3/229; D23/332, 341

DESCRIPTION

CPC F23Q 2/36
 See application file for complete search history.

FIG. 1 illustrates a top front perspective view of an adaptor for a fuel cartridge in accordance with the present invention. FIG. 2 illustrates a front view of the adaptor of FIG. 1; FIG. 3 illustrates a back view of the adaptor of FIG. 1; FIG. 4 illustrates a right side view the adaptor of FIG. 1; FIG. 5 illustrates a left side view of the adaptor of FIG. 1; FIG. 6 illustrates a top view of the adaptor of FIG. 1; FIG. 7 illustrates a bottom view of the adaptor of FIG. 1; and,

(56) **References Cited**

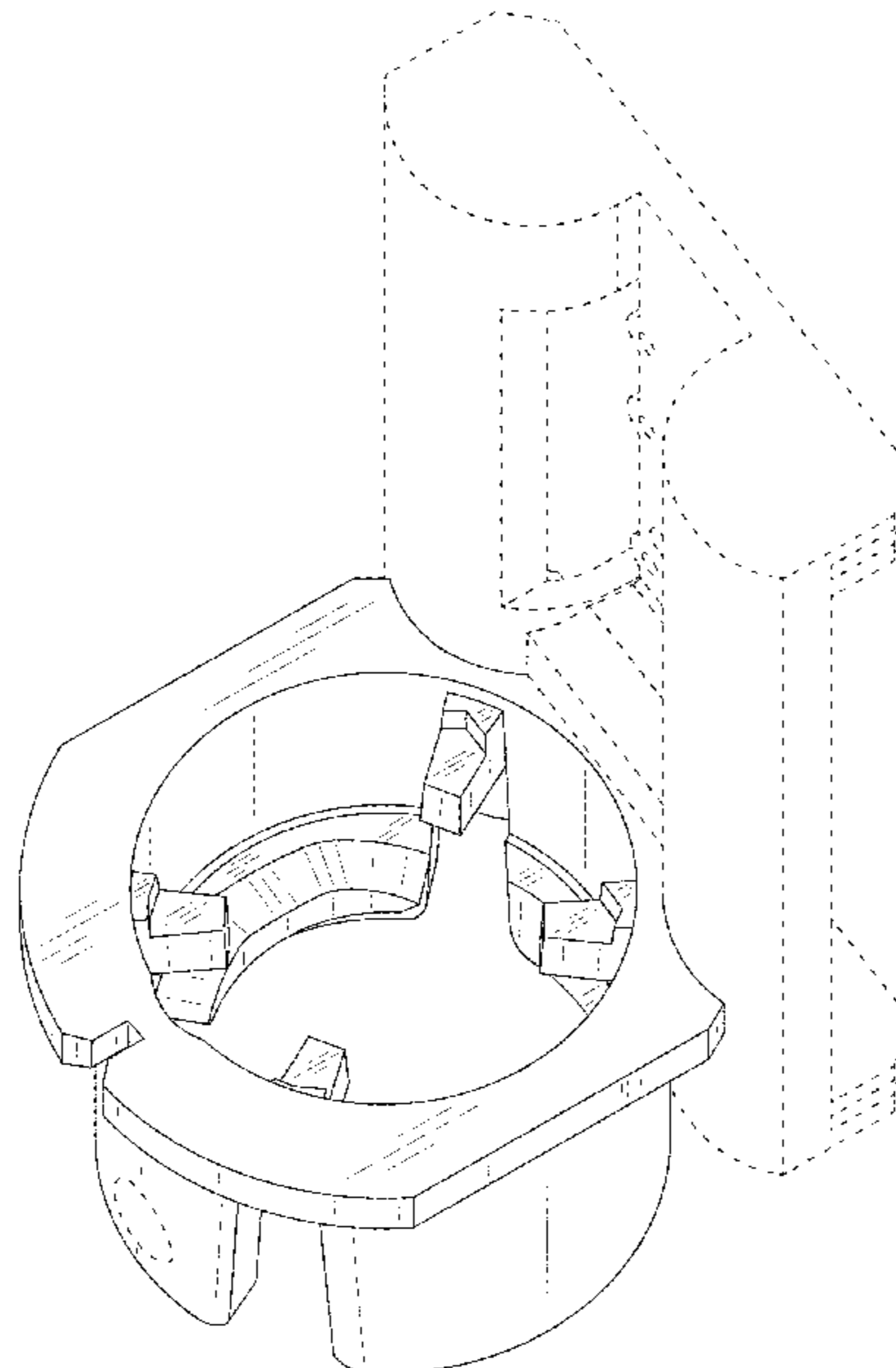
U.S. PATENT DOCUMENTS

D24,768 S * 10/1895 Wood D19/197
 899,290 A * 9/1908 Bricker A47G 23/0266
 248/145.6
 2,293,430 A * 8/1942 Forrest B43K 23/126
 16/108
 D162,959 S * 4/1951 Janes et al. 248/311.2
 3,596,859 A * 8/1971 MacDonald F21S 4/10
 248/214
 D244,302 S * 5/1977 Bradley D27/104
 D260,471 S * 9/1981 Douglas D7/622
 D291,746 S * 9/1987 Evans D3/228

FIG. 8 illustrates a left cross-sectional view of the adaptor of FIG. 1 taken along the lines 8-8 of FIG. 2, wherein the solid lines of the right cross-sectional view of the adaptor are a mirror image of the solid lines of the left cross-sectional view.

The broken lines are included for the purpose of illustrating unclaimed portions of the adaptor and form no part of the claimed design.

1 Claim, 8 Drawing Sheets



(56)

References Cited

U.S. PATENT DOCUMENTS

D350,216 S *	8/1994	Heaton	D27/144	7,879,501 B2	2/2011	Schaevitz et al.	
D351,337 S	10/1994	Bonnema et al.		D651,343 S	12/2011	Robson	
D368,628 S *	4/1996	Bergin	D7/620	D658,329 S *	4/2012	Katz	D27/125
5,522,722 A	6/1996	Diederich		D658,330 S	4/2012	Yue	
D389,953 S	1/1998	Seifert		8,273,485 B2	9/2012	Schaevitz et al.	
D391,019 S	2/1998	Seifert		D669,317 S *	10/2012	Giampavolo	D7/620
5,857,262 A	1/1999	Bonnema et al.		D672,500 S	12/2012	Kim	
5,944,508 A	8/1999	Bonnema		D672,501 S	12/2012	Kim	
6,033,212 A	3/2000	Bonnema et al.		8,389,909 B2	3/2013	Wang et al.	
6,176,596 B1	1/2001	Shukla et al.		D698,489 S	1/2014	Byun	
6,235,983 B1	5/2001	Becker et al.		D726,506 S *	4/2015	Parker	D7/620
D470,727 S *	2/2003	Bartley	D7/620	D734,537 S *	7/2015	Farley	D27/183
D471,316 S *	3/2003	Budde	D27/161	D735,935 S *	8/2015	Burrell	D27/183
D473,760 S *	4/2003	Perez	D7/620	D751,755 S *	3/2016	Van Riper	D12/223
D484,753 S *	1/2004	Giampavolo	D7/620	2004/0244810 A1	12/2004	Henninger et al.	
D489,577 S *	5/2004	Giampavolo	D7/620	2005/0051183 A1 *	3/2005	Coulthard	A24F 13/18 131/256
6,733,282 B2	5/2004	Long		2008/0135537 A1	6/2008	Suber et al.	
D493,011 S *	7/2004	Foote	D27/104	2011/0259356 A1	10/2011	Barton et al.	
D493,072 S *	7/2004	Palmer	D7/620	2012/0240955 A1	9/2012	Kennedy et al.	
D495,348 S *	8/2004	Brasseur	D15/144	2014/0076349 A1	3/2014	Deng	
D497,779 S *	11/2004	Giampavolo	D7/620	2015/0313339 A1 *	11/2015	Moore	A45D 1/04 132/224
D534,307 S	12/2006	Vu		2015/0335121 A1	11/2015	Floessholzer et al.	
D534,308 S	12/2006	Vu		2016/0120283 A1 *	5/2016	Yu	A45D 1/06 132/221
D586,398 S *	2/2009	Cheng	D19/197	2016/0166037 A1 *	6/2016	Teramoto	A45D 2/001 132/269
D598,163 S	8/2009	Overend et al.					
D598,164 S	8/2009	Overend et al.					

* cited by examiner

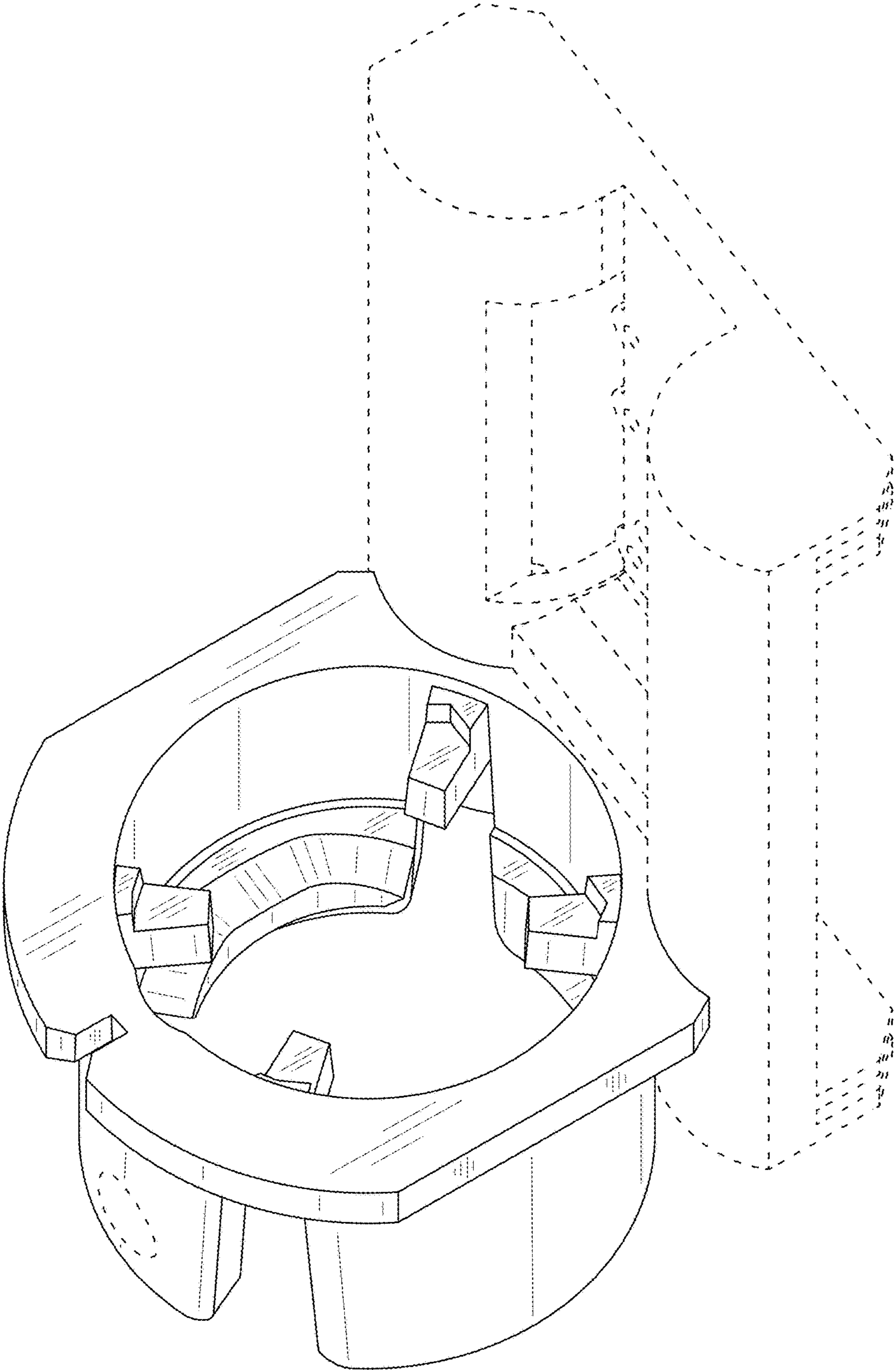


FIG. 1

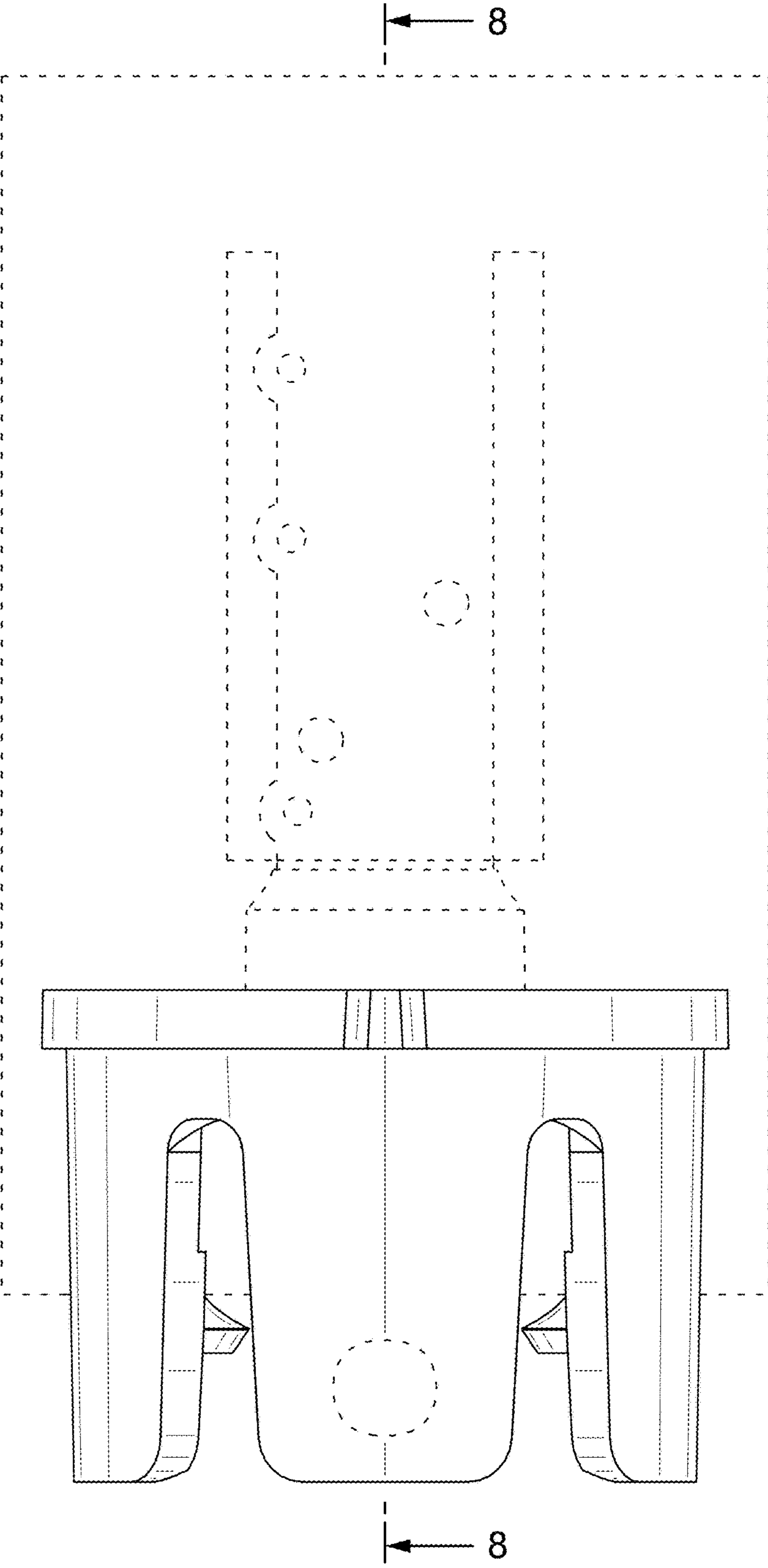


FIG. 2

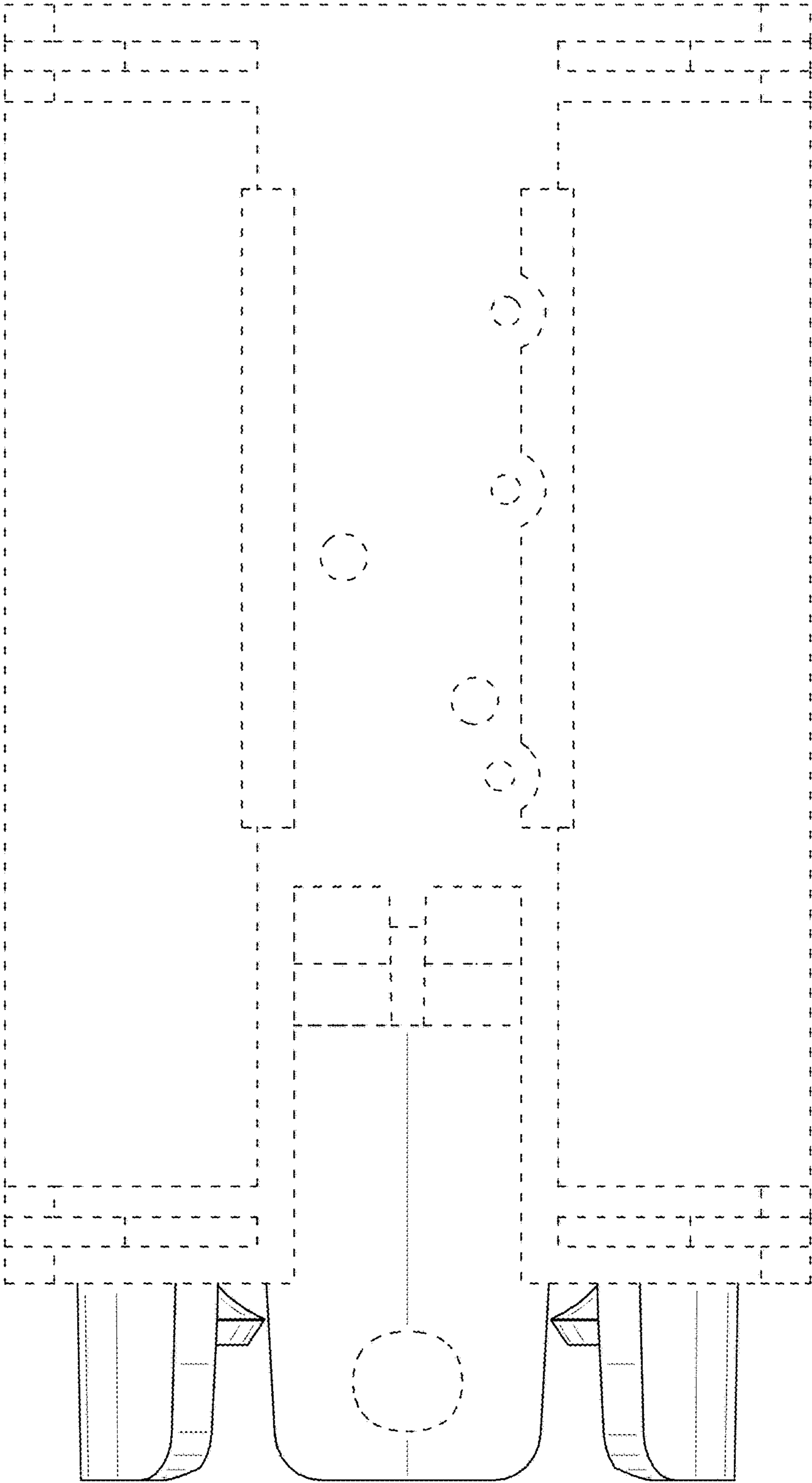


FIG. 3

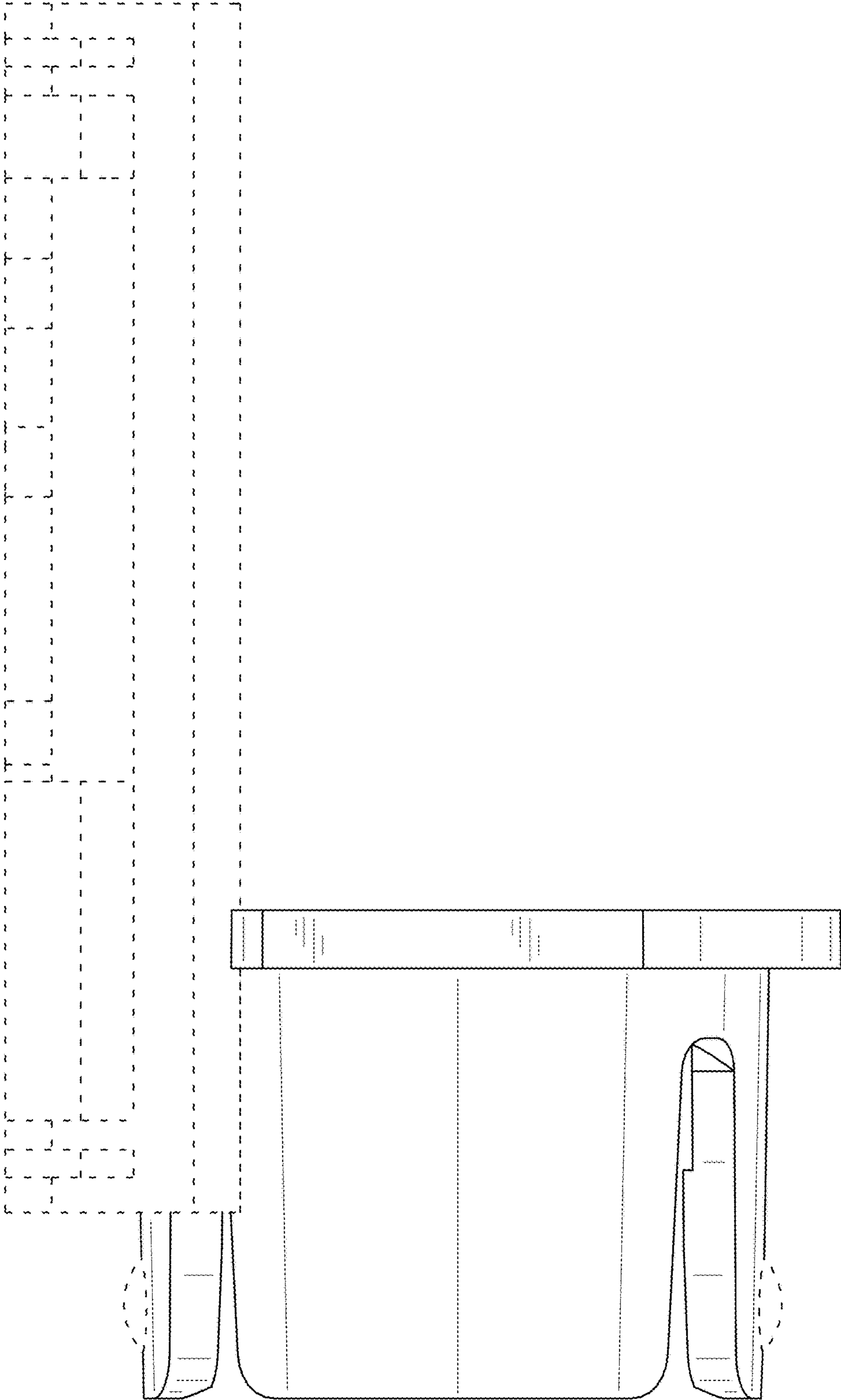


FIG. 4

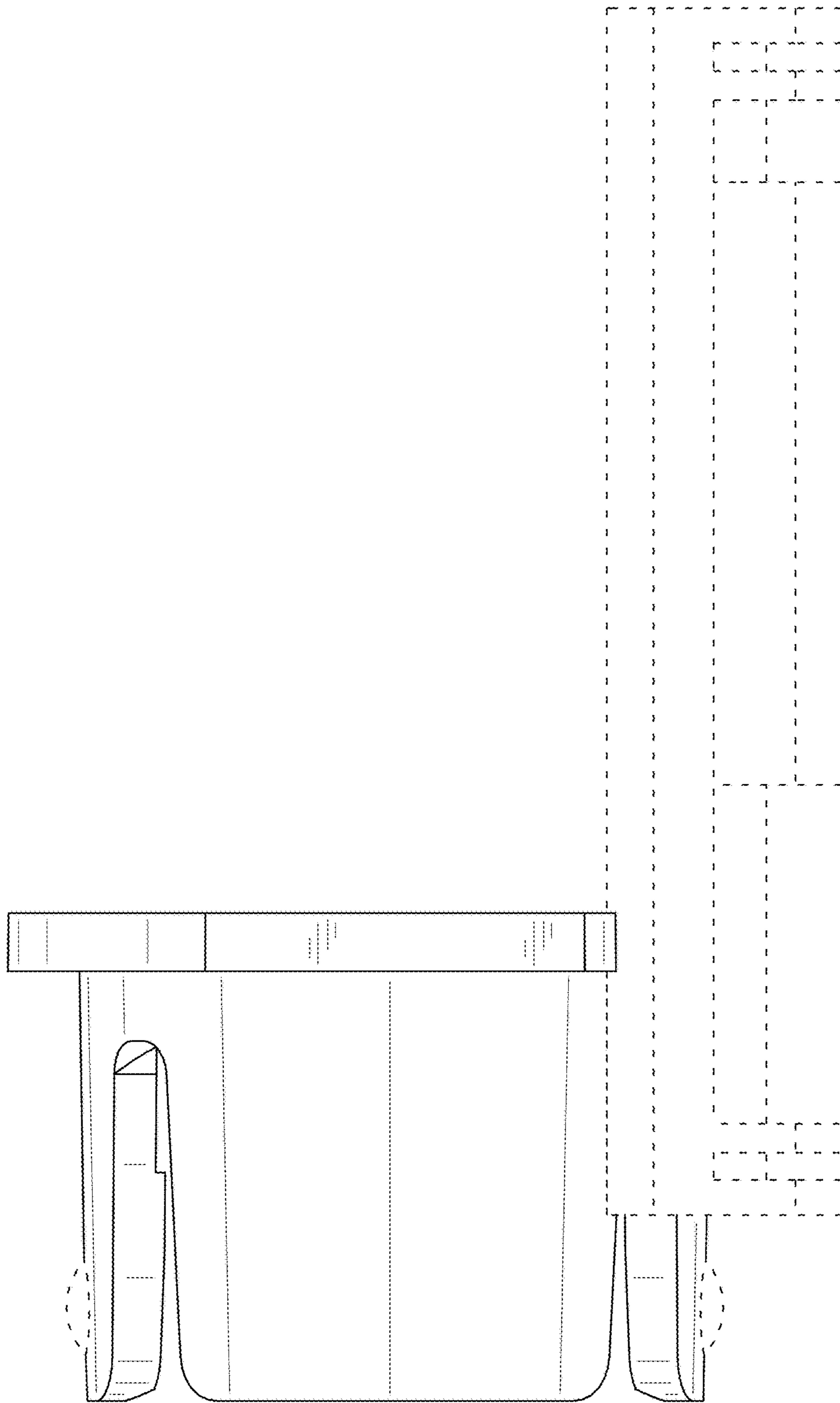


FIG. 5

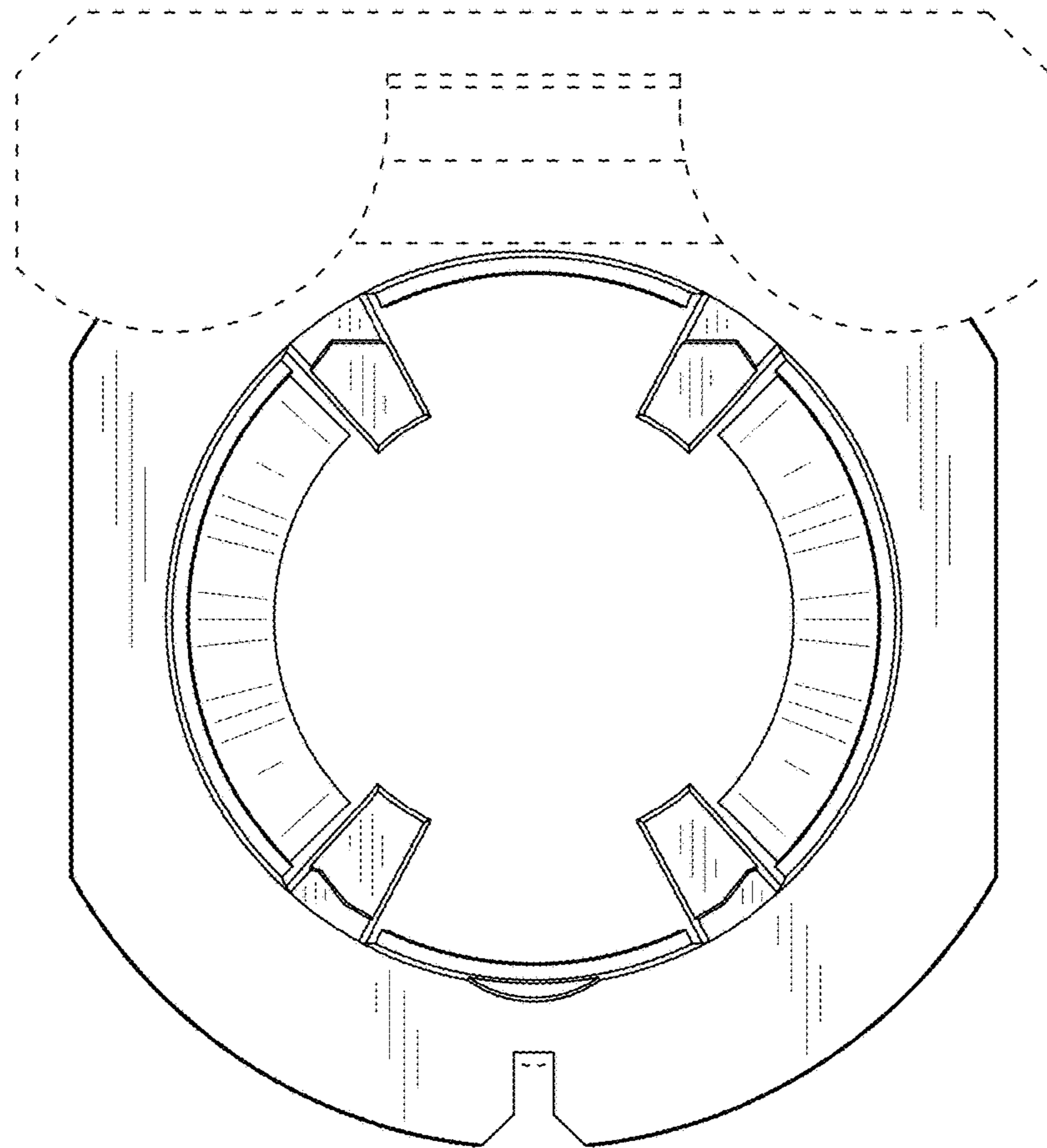


FIG. 6

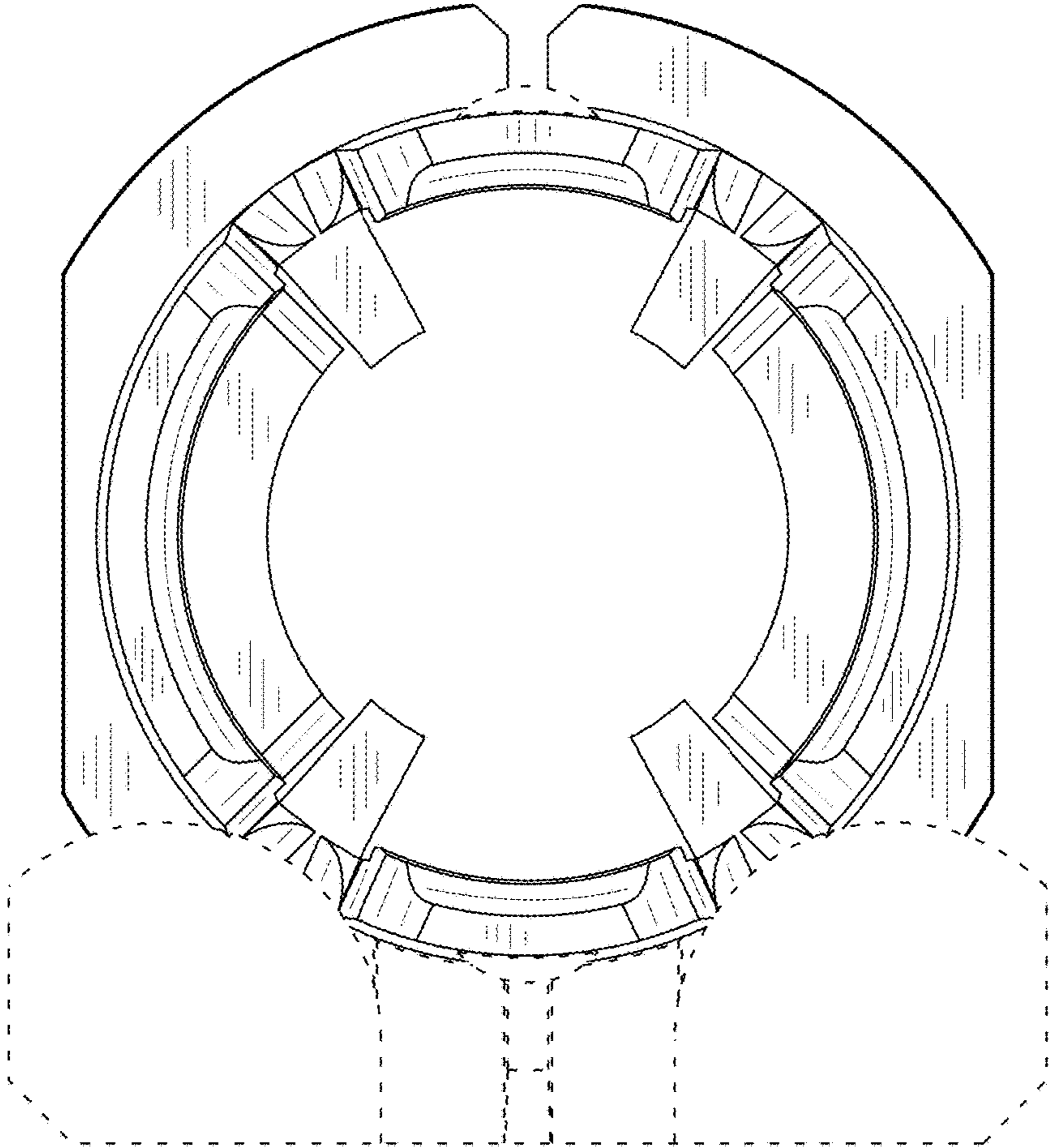


FIG. 7

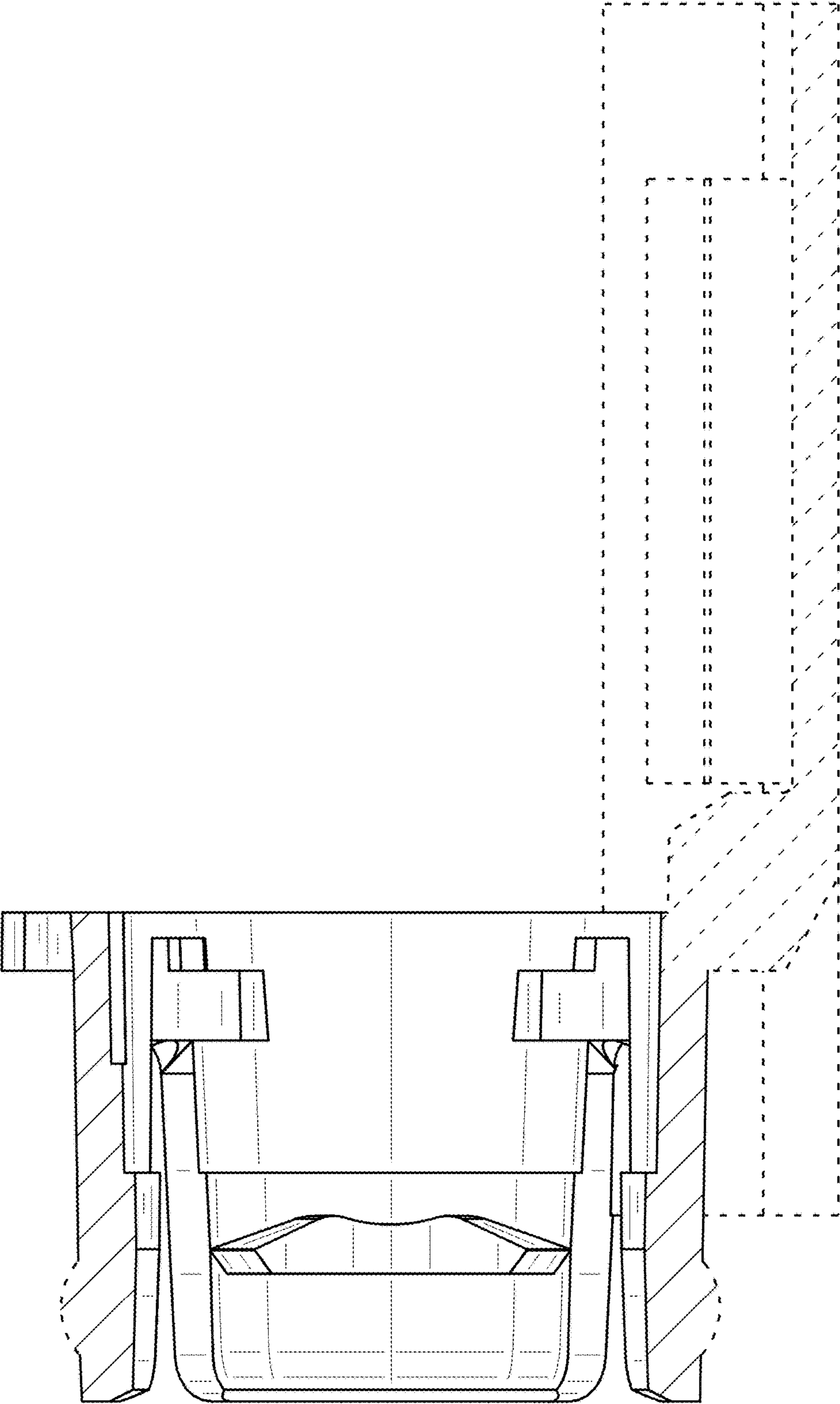


FIG. 8