



US00D776797S

(12) **United States Design Patent**
Bednarz et al.

(10) **Patent No.: US D776,797 S**

(45) **Date of Patent: ** Jan. 17, 2017**

(54) **PIPE FITTING**

(71) Applicant: **Tyco Fire Products LP**, Lansdale, PA
(US)

(72) Inventors: **Anthony Gary Bednarz**, Dighton, MA
(US); **Robert R. Smith**, Villa Rica, GA
(US); **Larry E. Hall**, Pell City, AL
(US); **Donald Eugene Griggs, III**,
Oxford, AL (US)

(73) Assignee: **Tyco Fire Products LP**, Lansdale, PA
(US)

(**) Term: **15 Years**

(21) Appl. No.: **29/531,715**

(22) Filed: **Jun. 29, 2015**

Related U.S. Application Data

(62) Division of application No. 29/434,520, filed on Oct.
12, 2012, now Pat. No. Des. 733,266.

(51) **LOC (10) Cl.** **23-01**

(52) **U.S. Cl.**
USPC **D23/263**

(58) **Field of Classification Search**
USPC D23/259, 262, 263, 266
CPC .. Y10T 29/49826; Y10T 428/139; F16L 9/02;
F16L 9/14
See application file for complete search history.

(56) **References Cited**

U.S. PATENT DOCUMENTS

D53,689 S * 8/1919 Pickop D23/263
D132,938 S * 6/1942 Corley D23/263
D135,633 S * 5/1943 Stark et al. D23/263

D297,678 S * 9/1988 Sisk D23/262
D343,889 S * 2/1994 Stonecypher D23/263
D348,723 S * 7/1994 Carroll D23/263

(Continued)

OTHER PUBLICATIONS

U.S. Appl. No. 29/434,498 now U.S. Pat. No. D. 727,242 (Co-
Pending Related Application to U.S. Appl. No. 29/531,715).

(Continued)

Primary Examiner — Darlington Ly

Assistant Examiner — Daniel J Domino

(74) *Attorney, Agent, or Firm* — Perkins Coie LLP

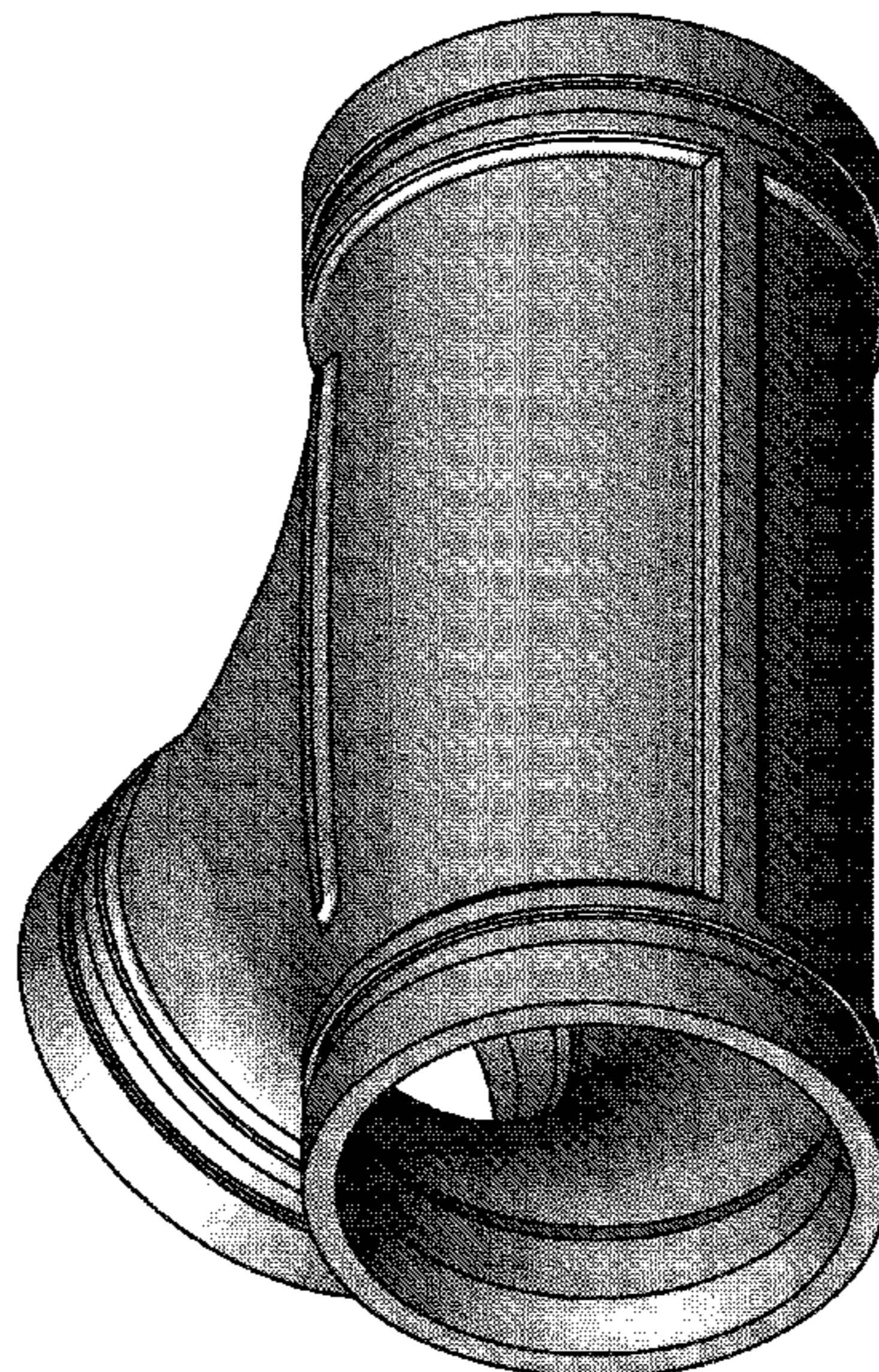
(57) **CLAIM**

The ornamental design for a pipe fitting, as shown and
described.

DESCRIPTION

FIG. 1 is a top perspective view of a pipe fitting showing our
new design in accordance to a first embodiment;
FIG. 2 is a bottom perspective view thereof;
FIG. 3 is a bottom plan view thereof;
FIG. 4 is a top plan view thereof;
FIG. 5 is a front end elevation view thereof;
FIG. 6 is a rear end elevation view thereof;
FIG. 7 is a right side elevation view thereof; and
FIG. 8 is a left side elevation view thereof.
FIG. 9 is a top perspective view of a pipe fitting showing our
new design in accordance to a second embodiment;
FIG. 10 is a bottom perspective view thereof;
FIG. 11 is a bottom plan view thereof;
FIG. 12 is a top plan view thereof;
FIG. 13 is a front end elevation view thereof;
FIG. 14 is a rear end elevation view thereof;
FIG. 15 is a right side elevation view thereof; and,
FIG. 16 is a left side elevation view thereof.

1 Claim, 16 Drawing Sheets



(56)

References Cited

U.S. PATENT DOCUMENTS

D353,654	S	*	12/1994	Cox	D23/263
D354,801	S	*	1/1995	Grant	D23/263
D389,562	S	*	1/1998	Picton	D23/263
D431,634	S	*	10/2000	Mantz	D23/263
D480,786	S	*	10/2003	Wilk, Jr.	D23/263
D481,110	S	*	10/2003	Snyder, Sr.	D23/263
D516,686	S	*	3/2006	Wilk, Jr.	D23/262
D517,176	S	*	3/2006	Wilk, Jr.	D23/262
D597,182	S	*	7/2009	Choi	D23/263
D630,305	S	*	1/2011	Adams	D23/259
D634,819	S	*	3/2011	Leroyer	D23/263
D652,121	S	*	1/2012	Bonhag	D23/263
D656,225	S	*	3/2012	Dole	D23/263
D676,942	S	*	2/2013	Kluss	D23/262
D722,141	S	*	2/2015	Luke	D23/263
D727,472	S	*	4/2015	Bednarz	D23/263
D731,628	S	*	6/2015	Guest	D23/262
D733,266	S	*	6/2015	Bednarz	D23/263
D738,472	S	*	9/2015	Bednarz	D23/263
D743,511	S	*	11/2015	Bednarz	D23/263

OTHER PUBLICATIONS

U.S. Appl. No. 29/434,732 (Co-Pending Related Application to U.S. Appl. No. 29/531,715).

U.S. Appl. No. 29/434,521 (Co-Pending Related Application to U.S. Appl. No. 29/531,715).

U.S. Appl. No. 29/435,150 now U.S. Pat. No. D. 738,472 (Co-Pending Related Application to U.S. Appl. No. 29/531,715).

U.S. Appl. No. 29/434,520 now U.S. Pat. No. D. 733,266 (Co-Pending Related Application to U.S. Appl. No. 29/531,715).

U.S. Appl. No. 29/522,234 now U.S. Pat. No. D. 743,511 (Co-Pending Related Application to U.S. Appl. No. 29/531,715).

* cited by examiner

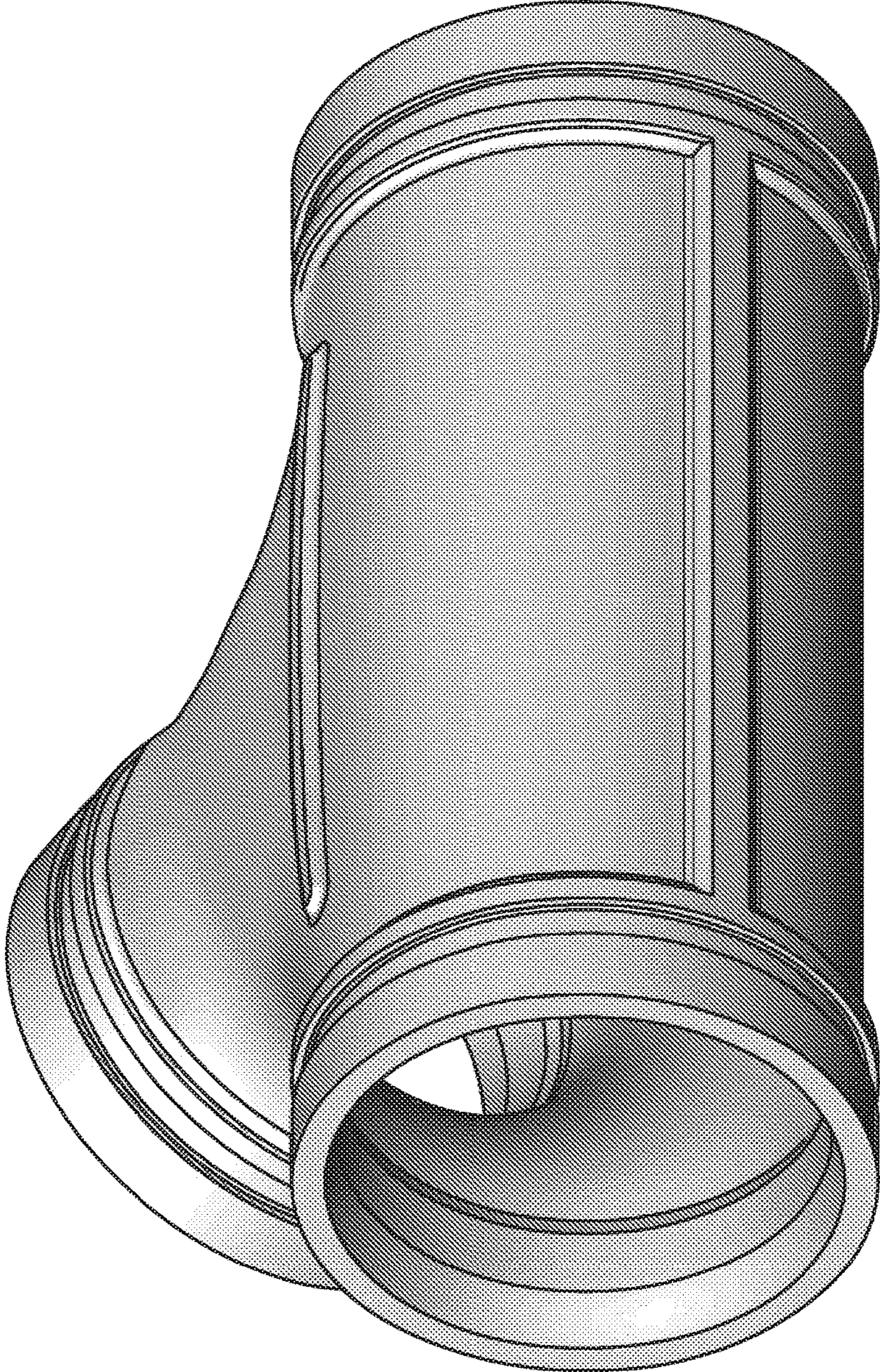


Fig. 1

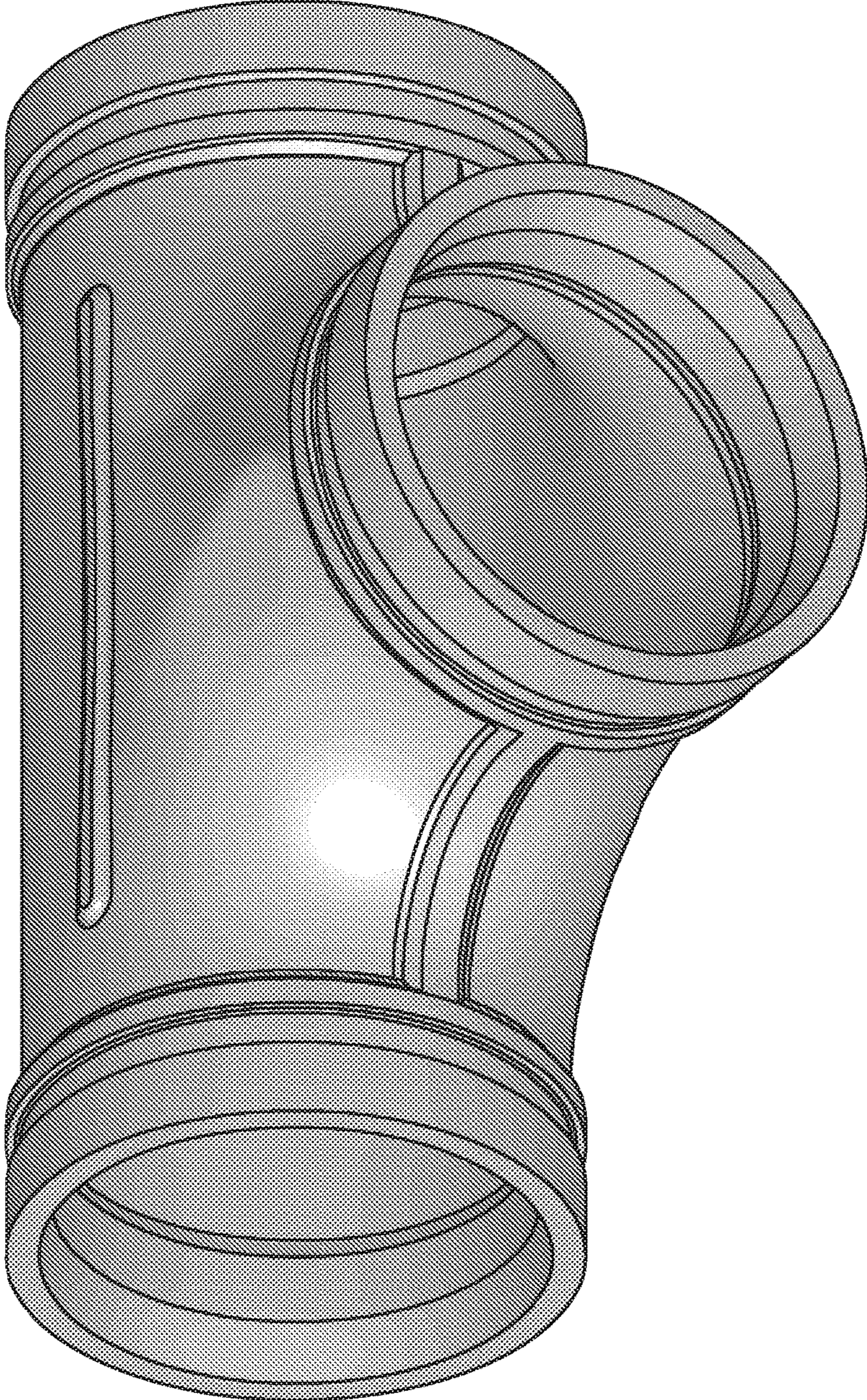


Fig. 2

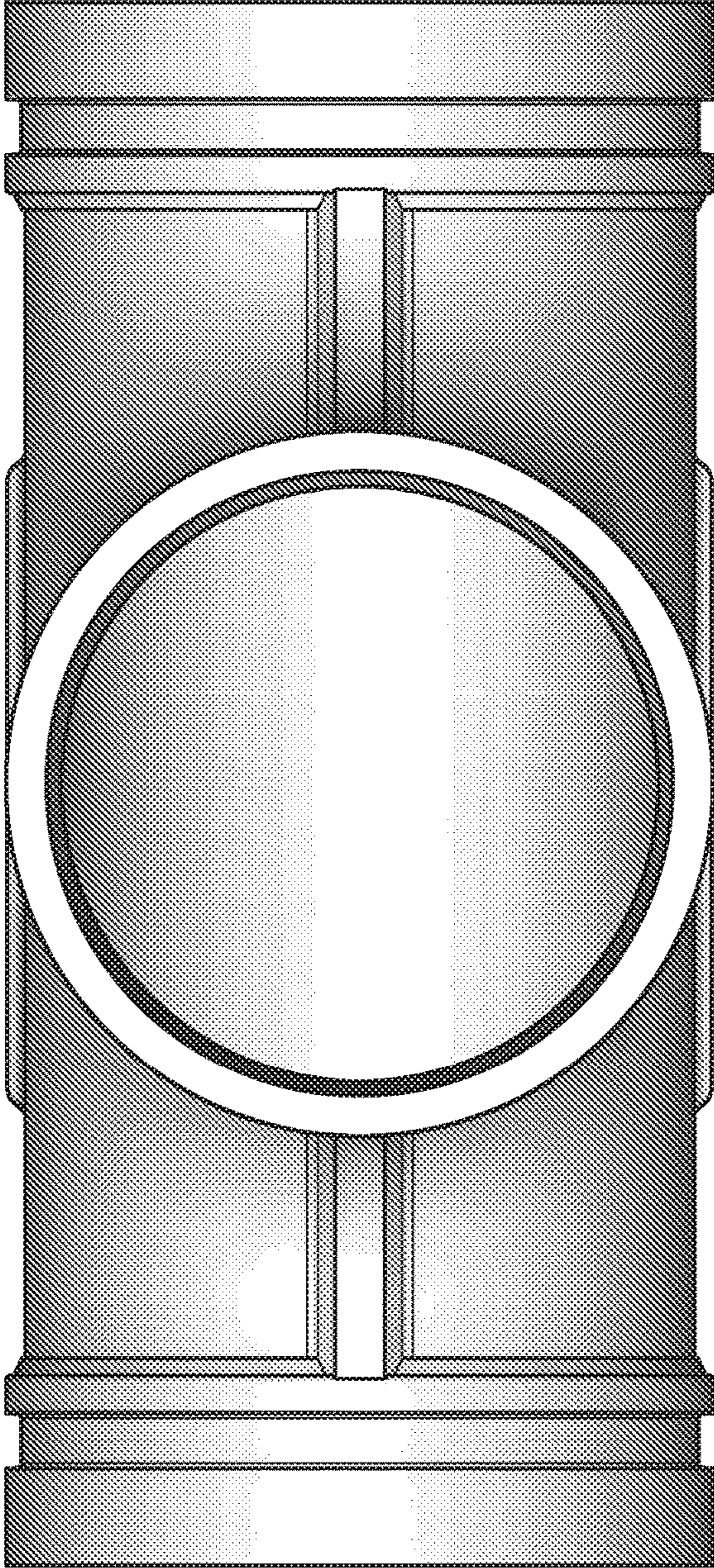


Fig. 3

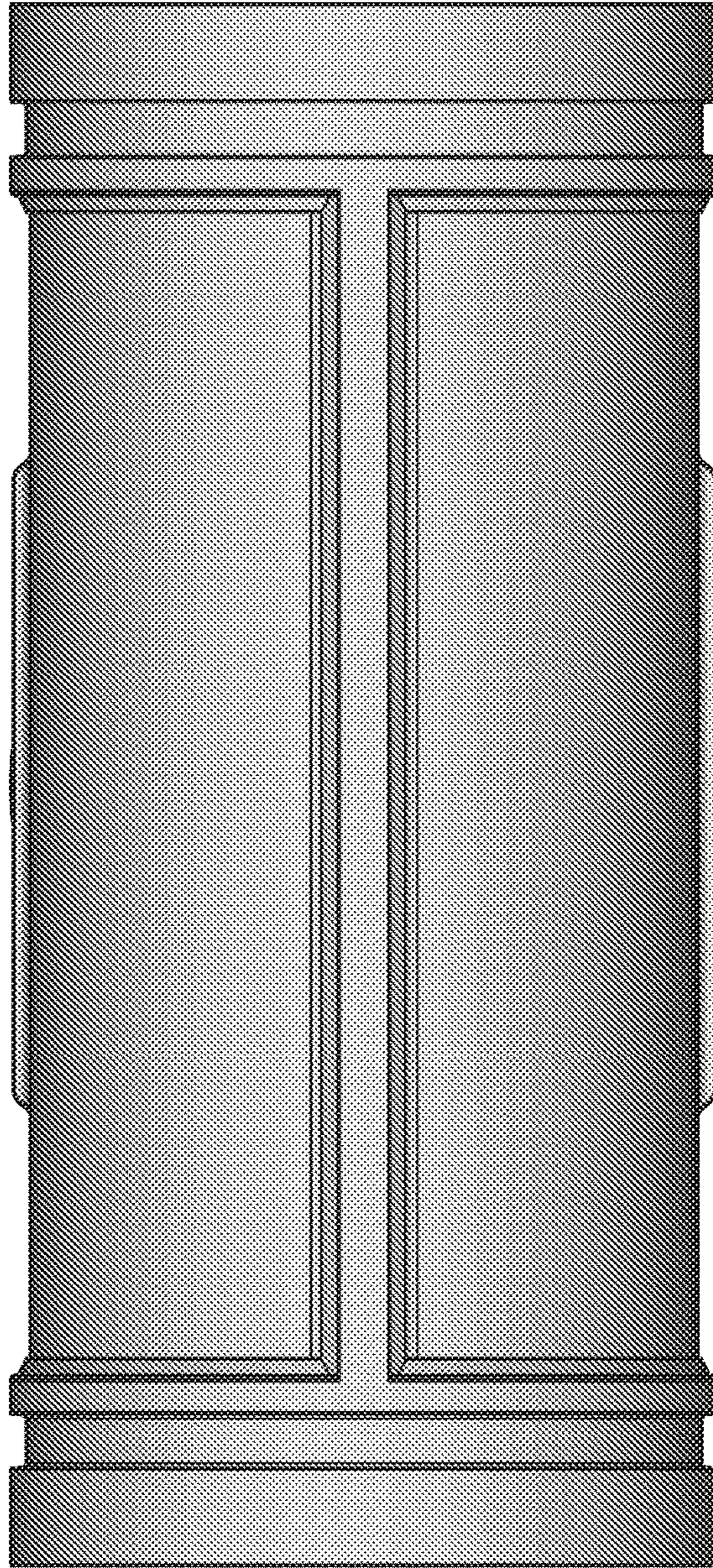


Fig. 4

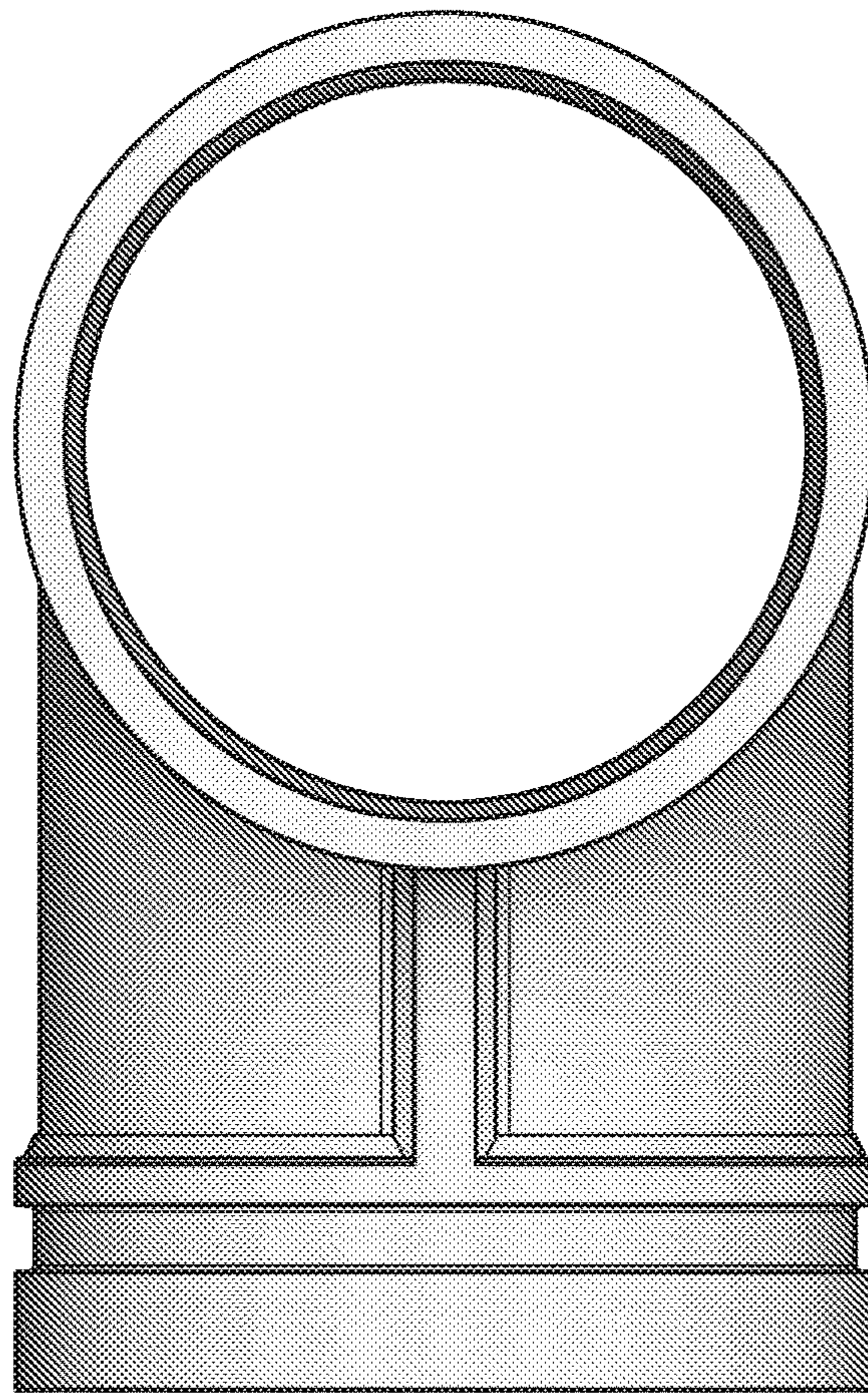


Fig. 5

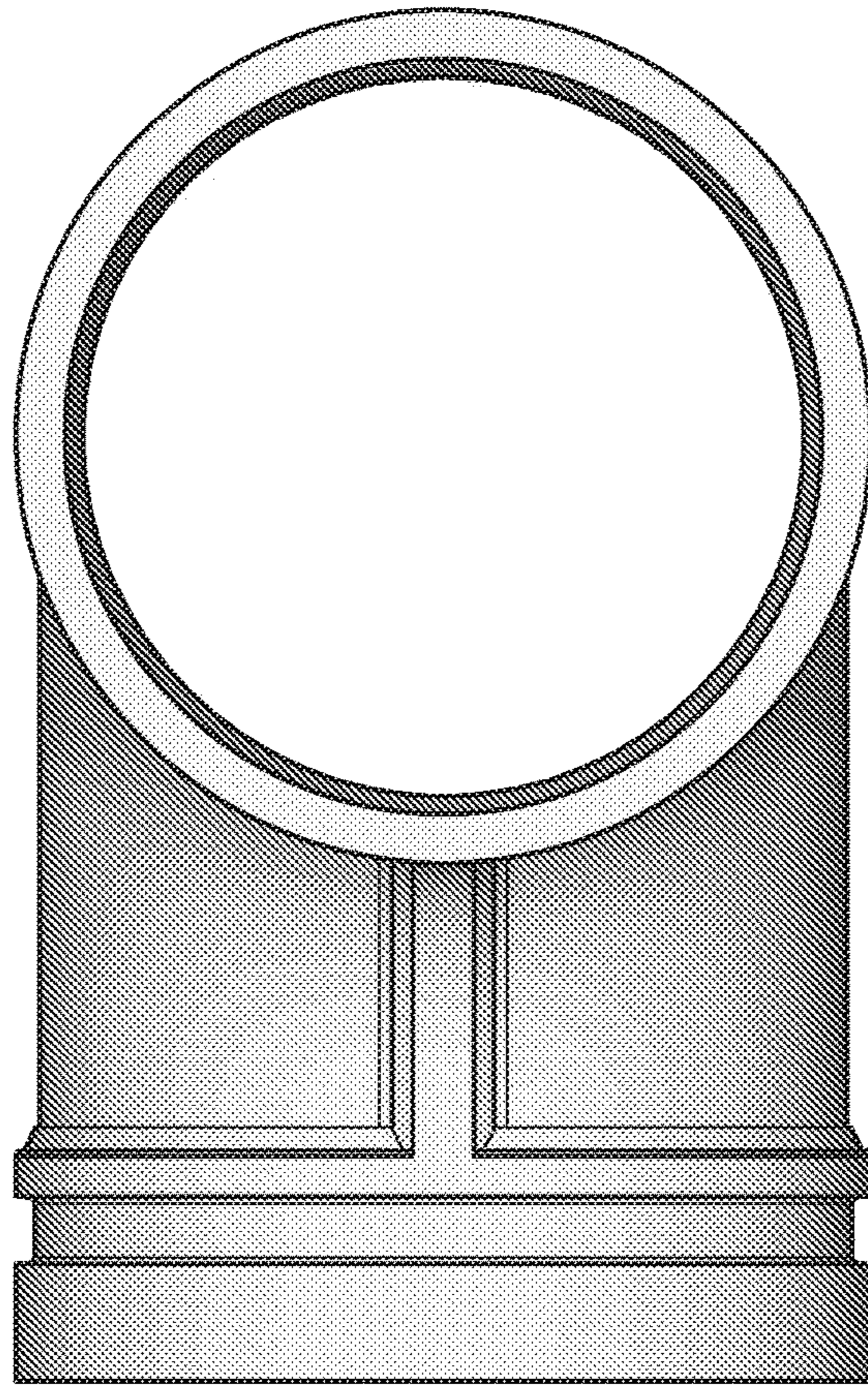


Fig. 6

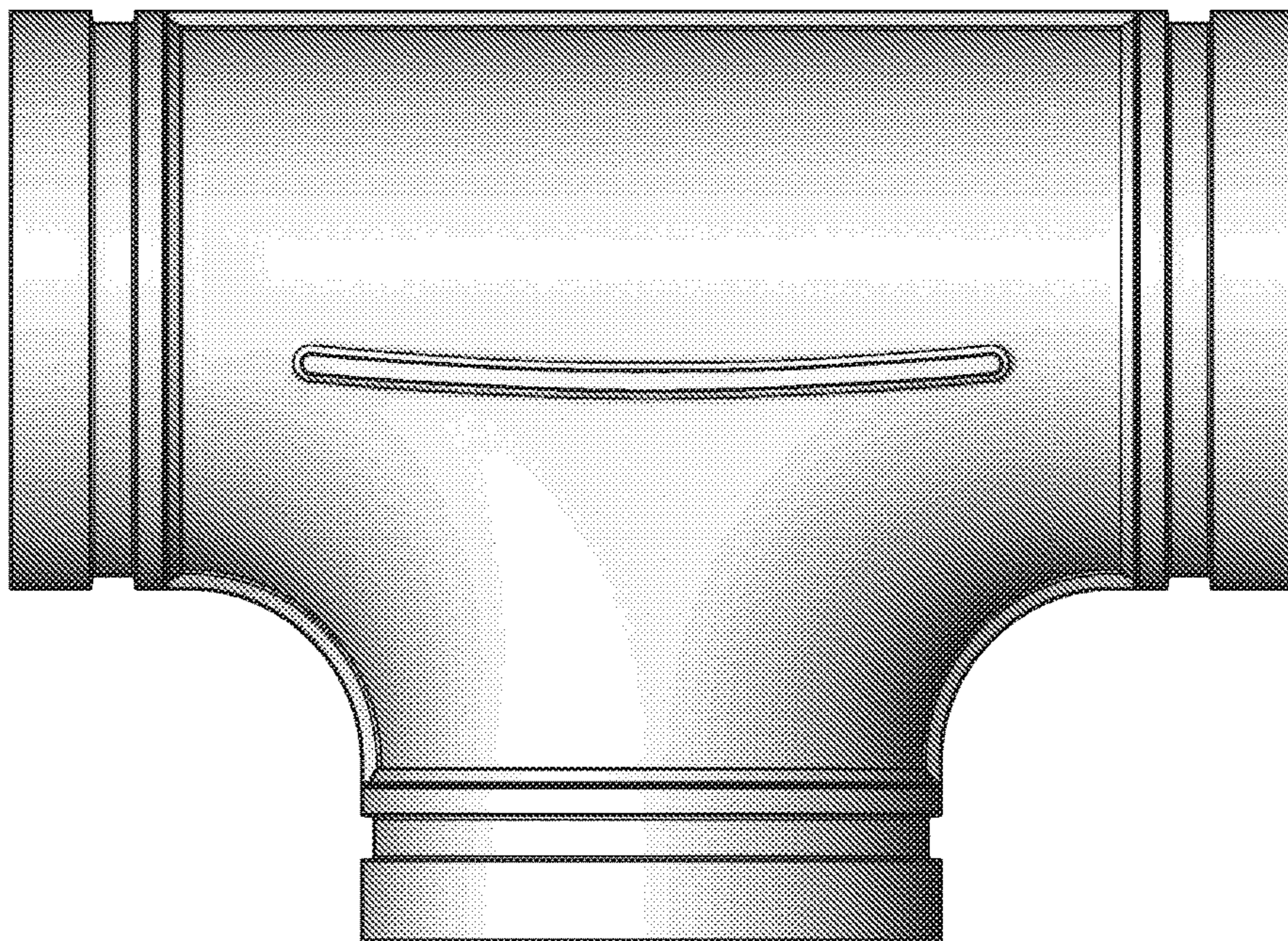


Fig. 7

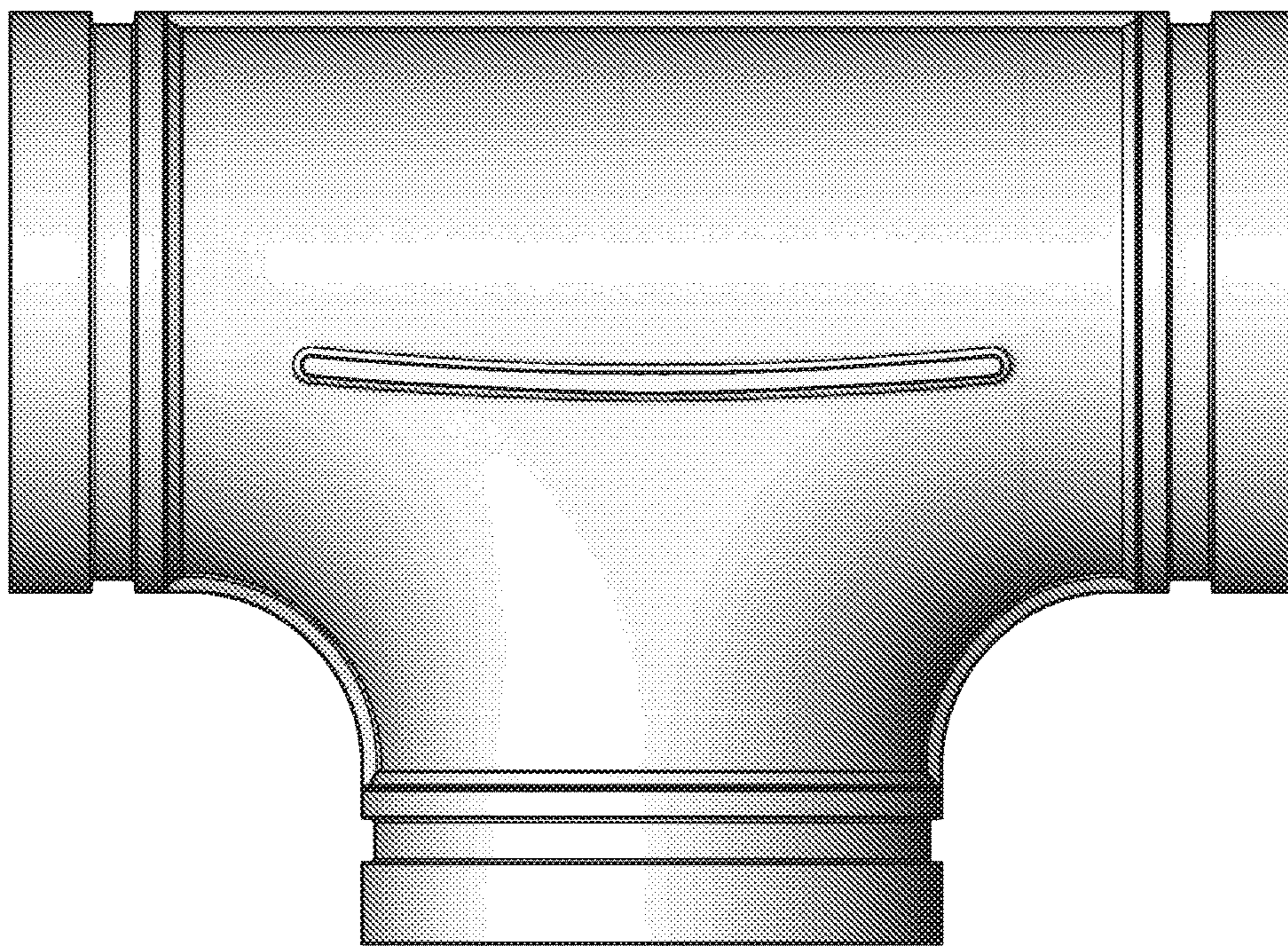


Fig. 8

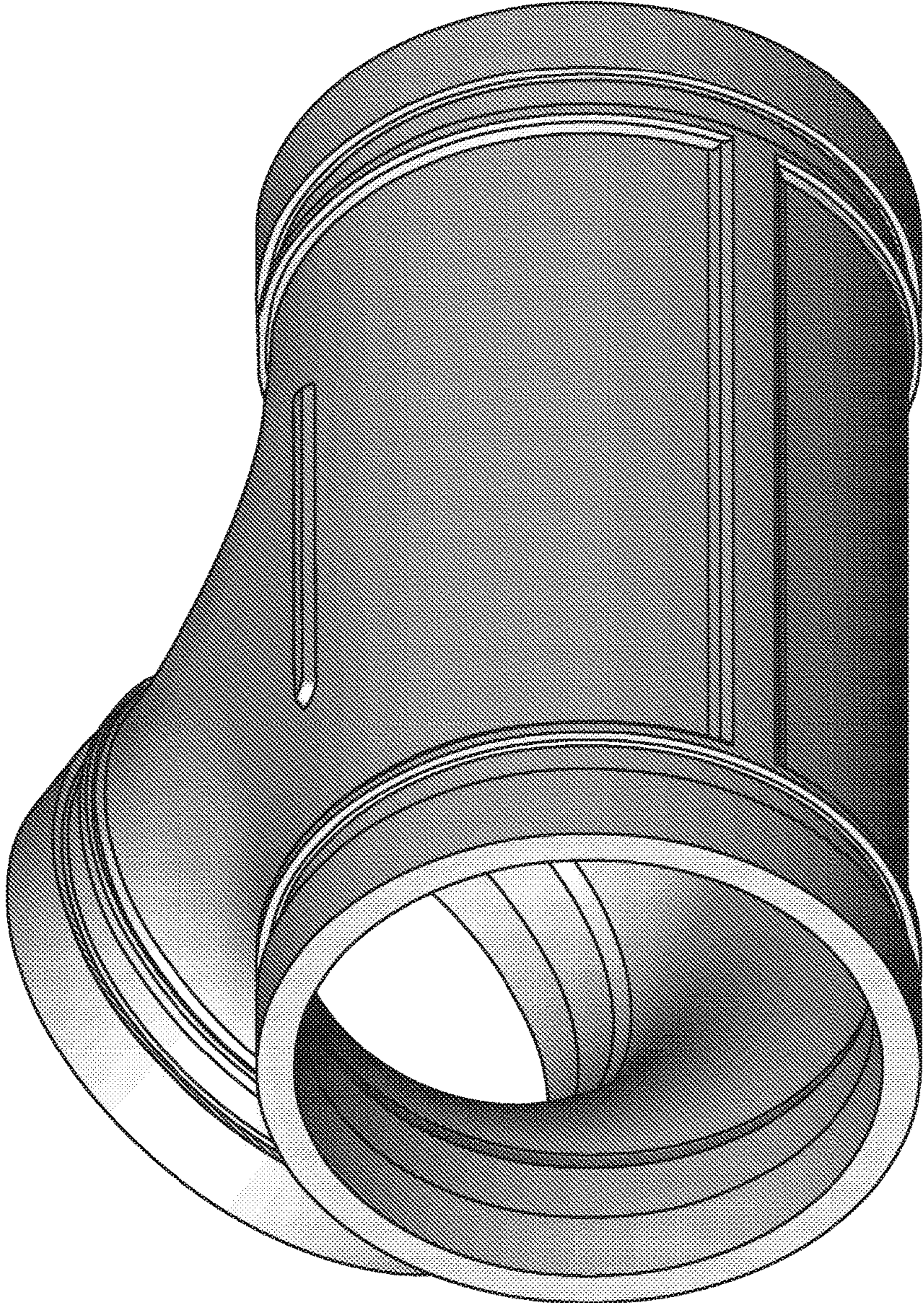


Fig. 9

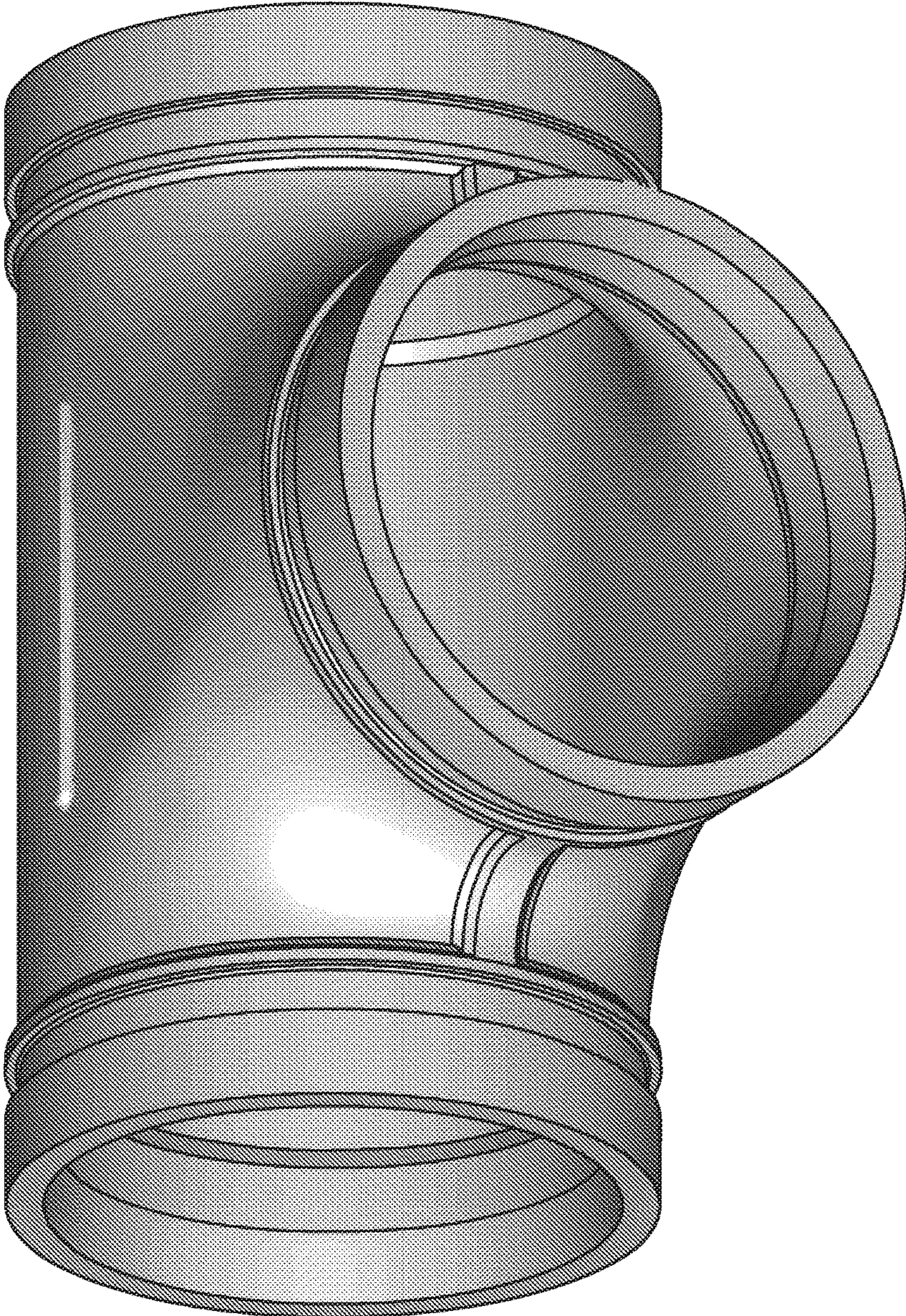


Fig. 10

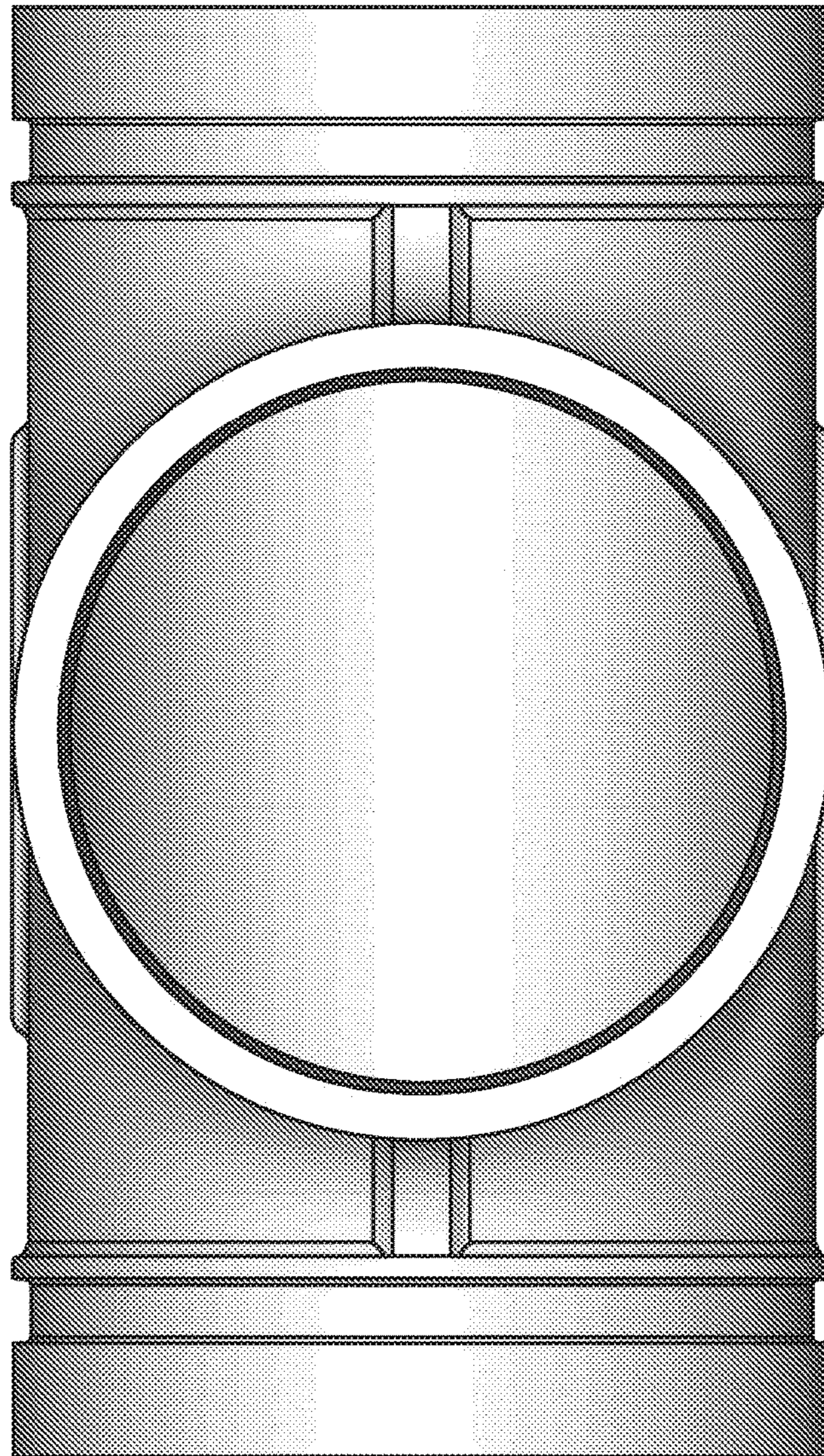


Fig. 11

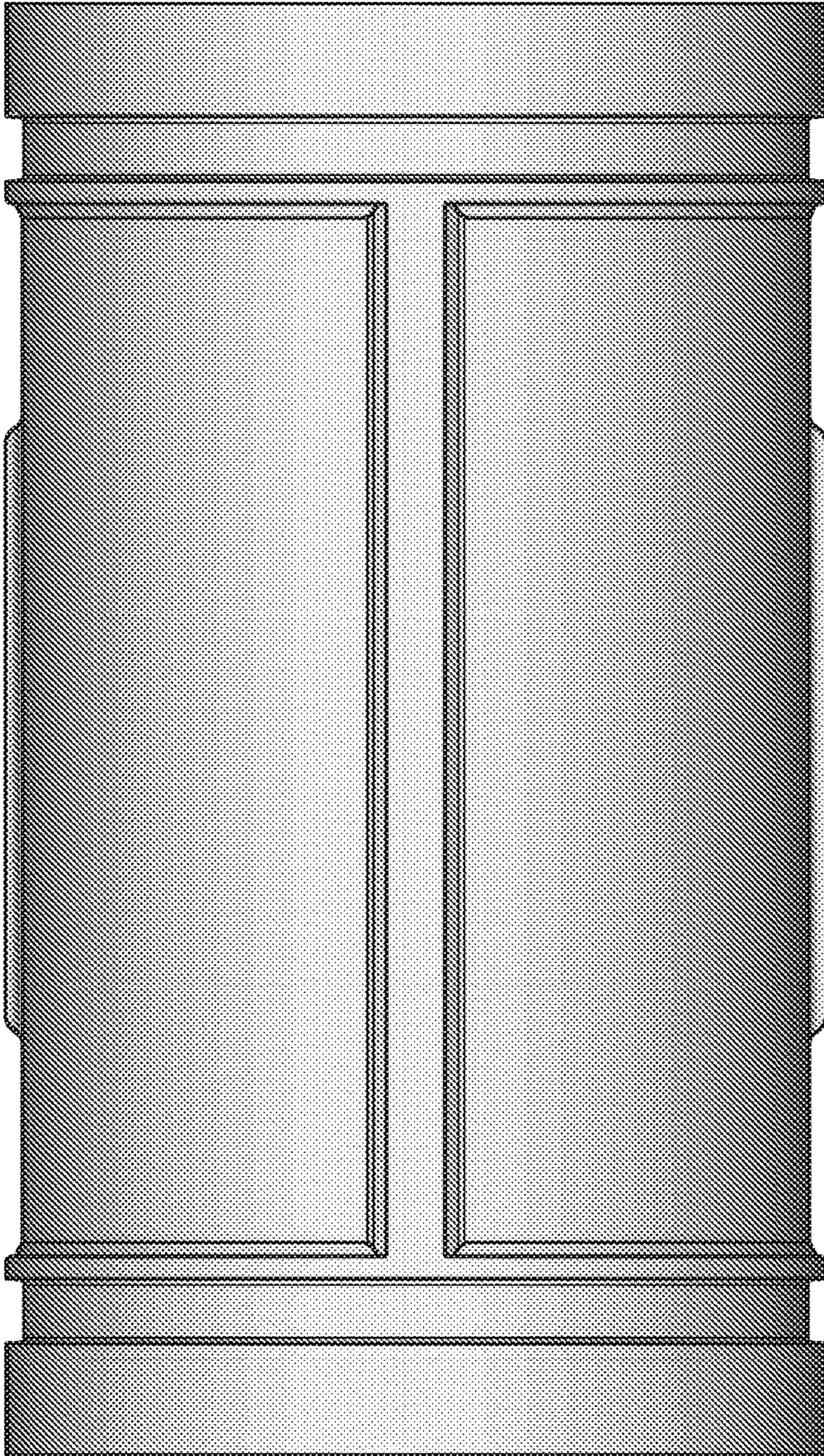


Fig. 12

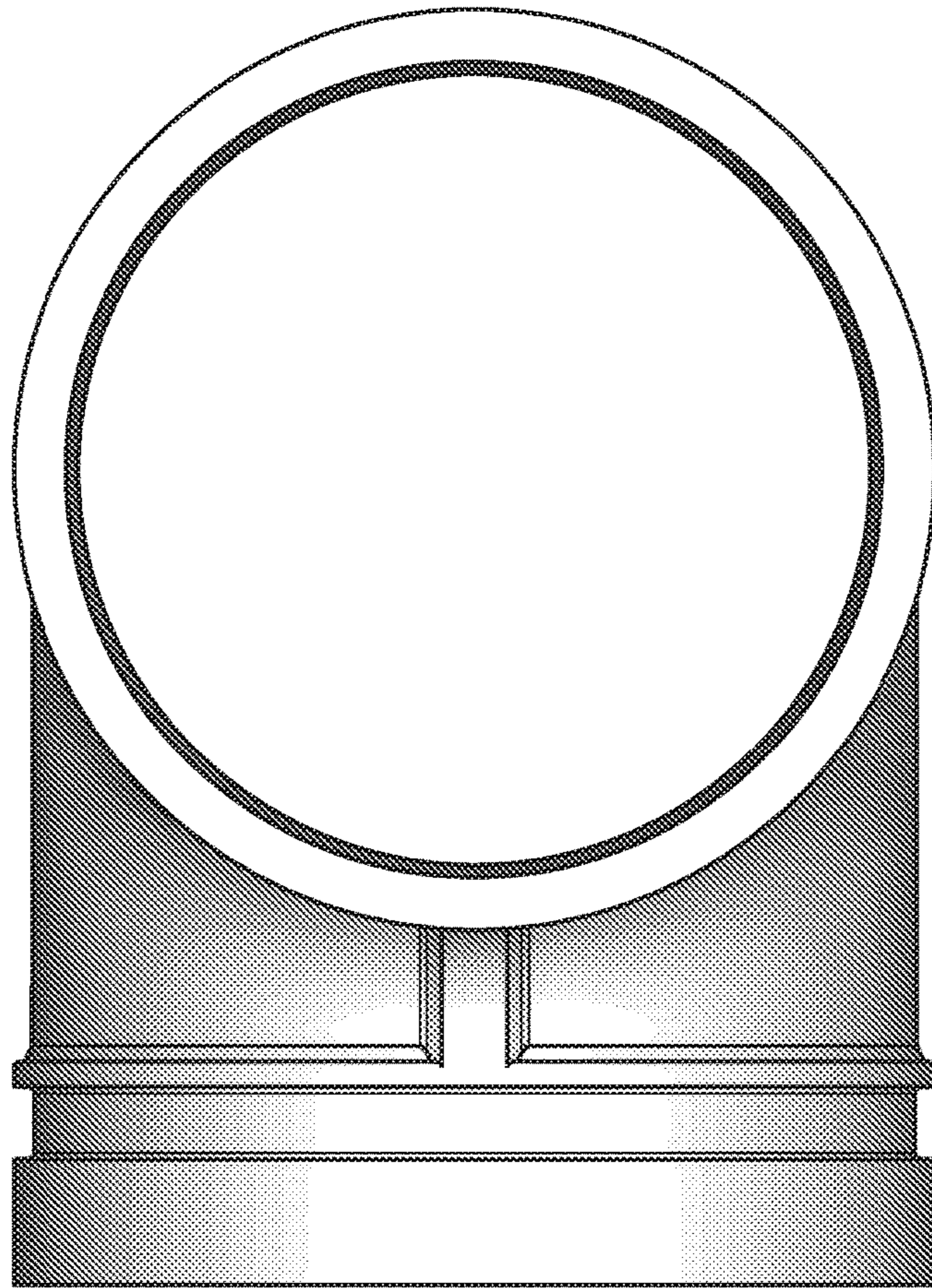


Fig. 13

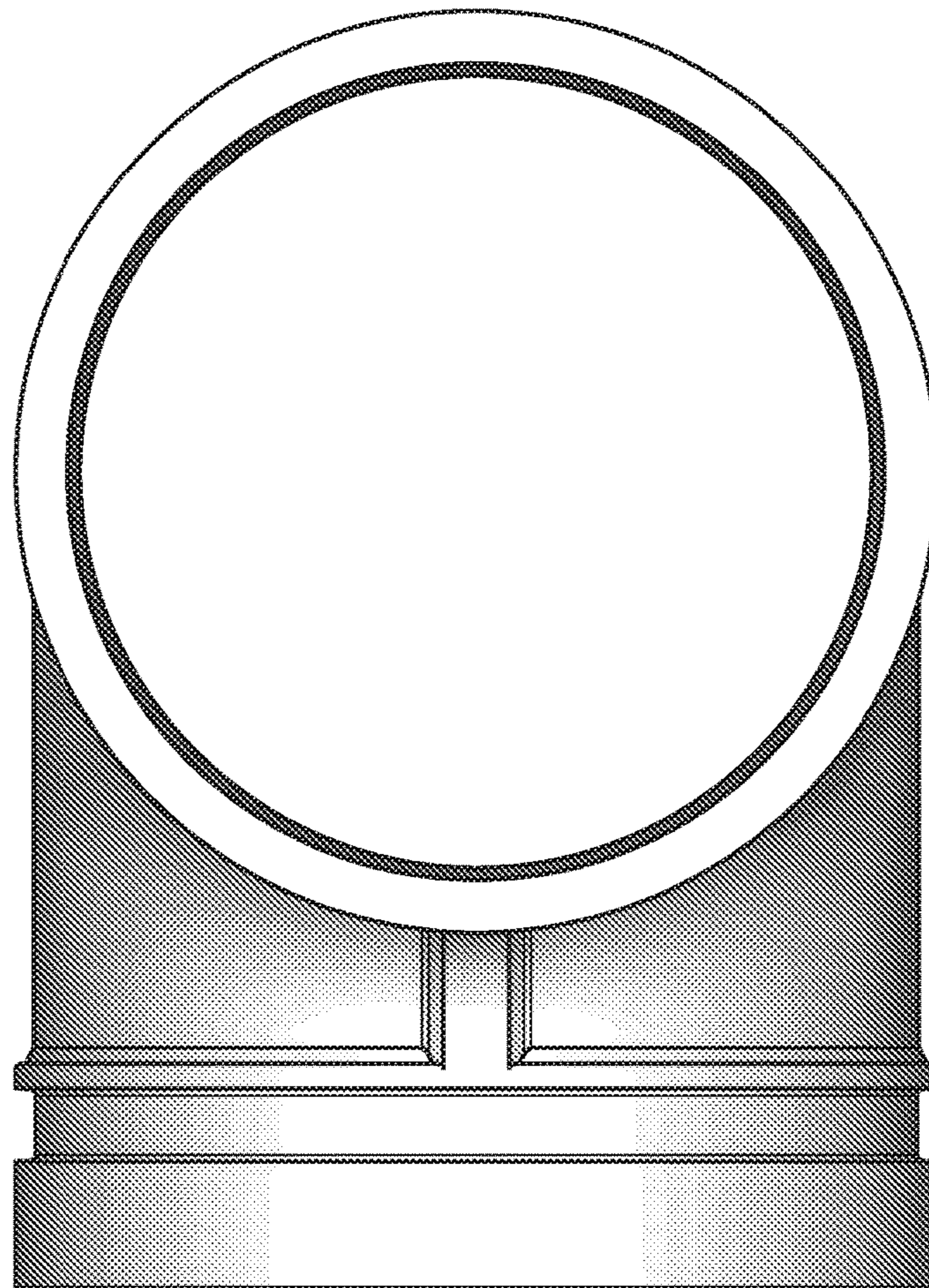


Fig. 14

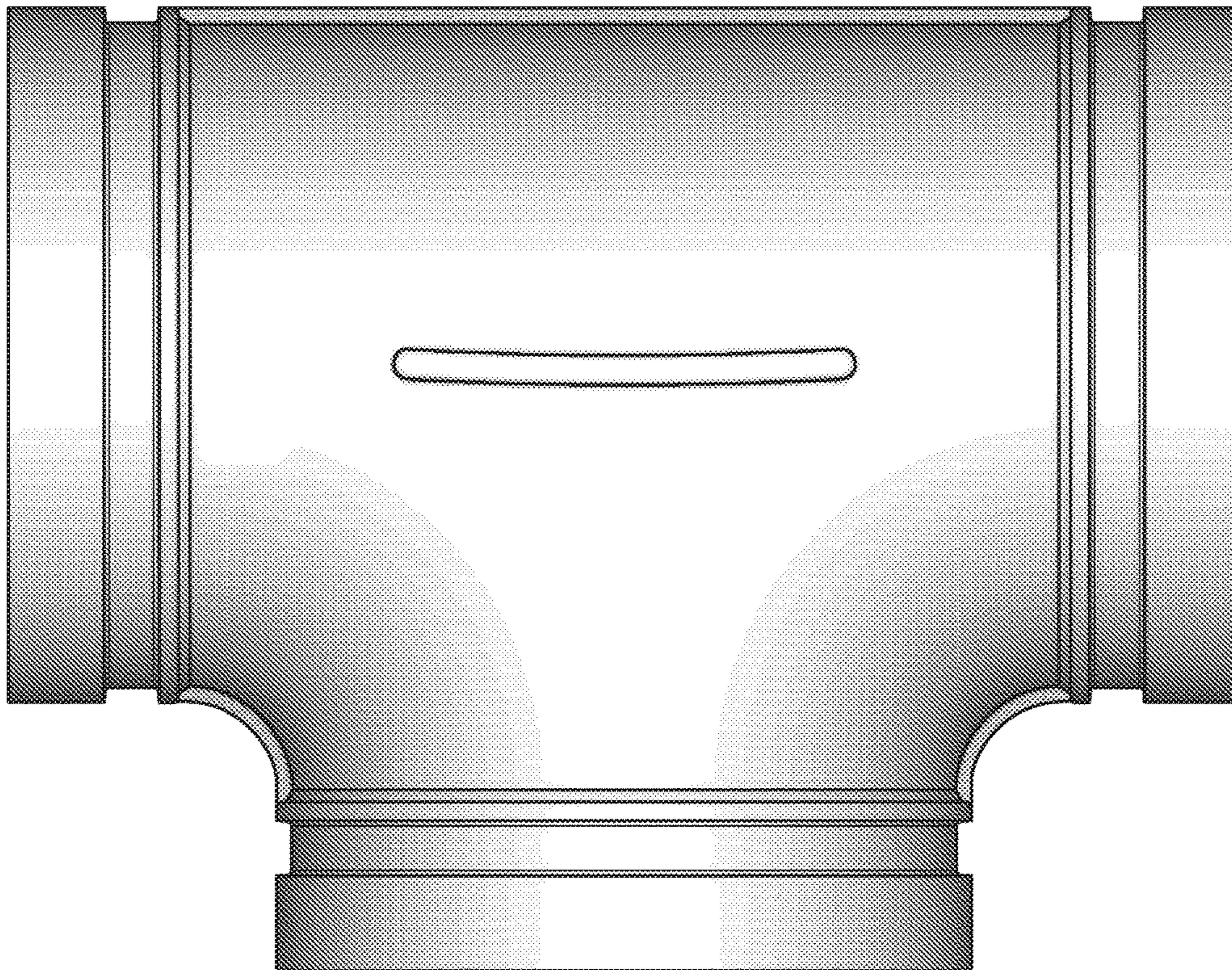


Fig. 15

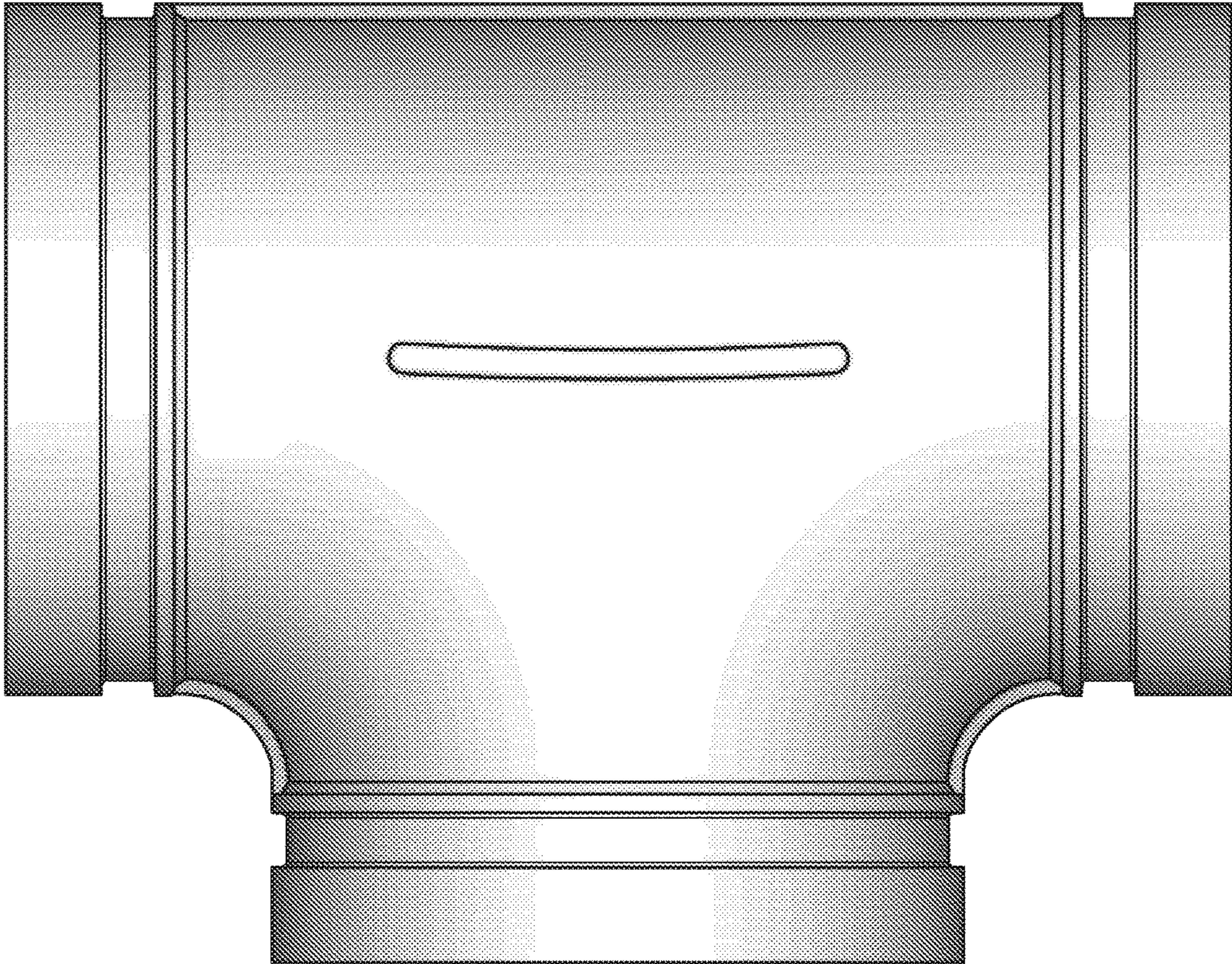


Fig. 16