



US00D776793S

(12) **United States Design Patent** (10) **Patent No.:** **US D776,793 S**  
**Vaseleniuck et al.** (45) **Date of Patent:** **\*\* Jan. 17, 2017**

(54) **ROTARY VALVE** 8,601,634 B1 \* 12/2013 Stunkard ..... F16L 55/46  
137/268  
(71) Applicant: **VAZTEC, LLC**, Denver, NC (US) D746,411 S \* 12/2015 Aoki ..... D23/233  
D748,226 S \* 1/2016 Aoki ..... D23/233  
D755,249 S \* 5/2016 Vaseleniuck ..... D15/5  
(72) Inventors: **Darrick Vaseleniuck**, Denver, NC 2002/0148428 A1 10/2002 Pisano et al.  
(US); **David Vaseleniuck**, Denver, NC 2006/0150930 A1 7/2006 Swenson  
(US) 2011/0277719 A1 11/2011 Snow  
2013/0207013 A1 \* 8/2013 Linnhoff ..... F16K 11/0856  
251/129.11

(73) Assignee: **Vaztec, LLC**, Denver, NC (US)  
(\*\*) Term: **14 Years**

(Continued)

(21) Appl. No.: **29/516,091**

FOREIGN PATENT DOCUMENTS

EP 0099873 2/1984

(22) Filed: **Jan. 29, 2015**

OTHER PUBLICATIONS

(51) **LOC (10) Cl.** ..... **23-01**

Vorobiev, V., International Search Report for PCT/US2012/059506,  
Dec. 24, 2012, Moscow, Russia.

(52) **U.S. Cl.**

USPC ..... **D23/248**

(58) **Field of Classification Search**

USPC ..... D23/233-250; 251/304, 314, 129.11,  
251/180, 208, 283; 137/625.46, 625.15,  
601.05, 137/601.16; 123/200, 59.1; D15/5  
CPC ..... F01L 7/00; F01L 7/02; F01L 7/04;  
F01L 7/06; F01L 7/08; F01L 7/10; F01L  
7/12; F16K 31/041; F16K 31/1635; F16K  
31/055

*Primary Examiner* — Cynthia Ramirez

*Assistant Examiner* — Gino Colan

(74) *Attorney, Agent, or Firm* — Trego, Hines &  
Ladenheim, PLLC; Brandon Trego; Jonathan Hines

See application file for complete search history.

(57) **CLAIM**

The ornamental design for a rotary valve, as shown and  
described.

(56) **References Cited**

**DESCRIPTION**

U.S. PATENT DOCUMENTS

1,094,329 A 4/1914 Henderson  
1,794,061 A 2/1931 Culver  
4,036,184 A 7/1977 Guenther  
D289,915 S \* 5/1987 Ferrer Beltran ..... D23/249  
4,862,915 A \* 9/1989 Renfro ..... E21B 34/02  
137/556  
6,295,961 B1 10/2001 Carter  
6,308,677 B1 \* 10/2001 Bohach ..... F01L 7/021  
123/190.1  
7,240,654 B2 7/2007 Verdial

FIG. 1 is a perspective view of a rotary valve showing our  
new design;

FIG. 2 is a front elevation of the rotary valve of FIG. 1;

FIG. 3 is a rear elevation of the rotary valve of FIG. 1;

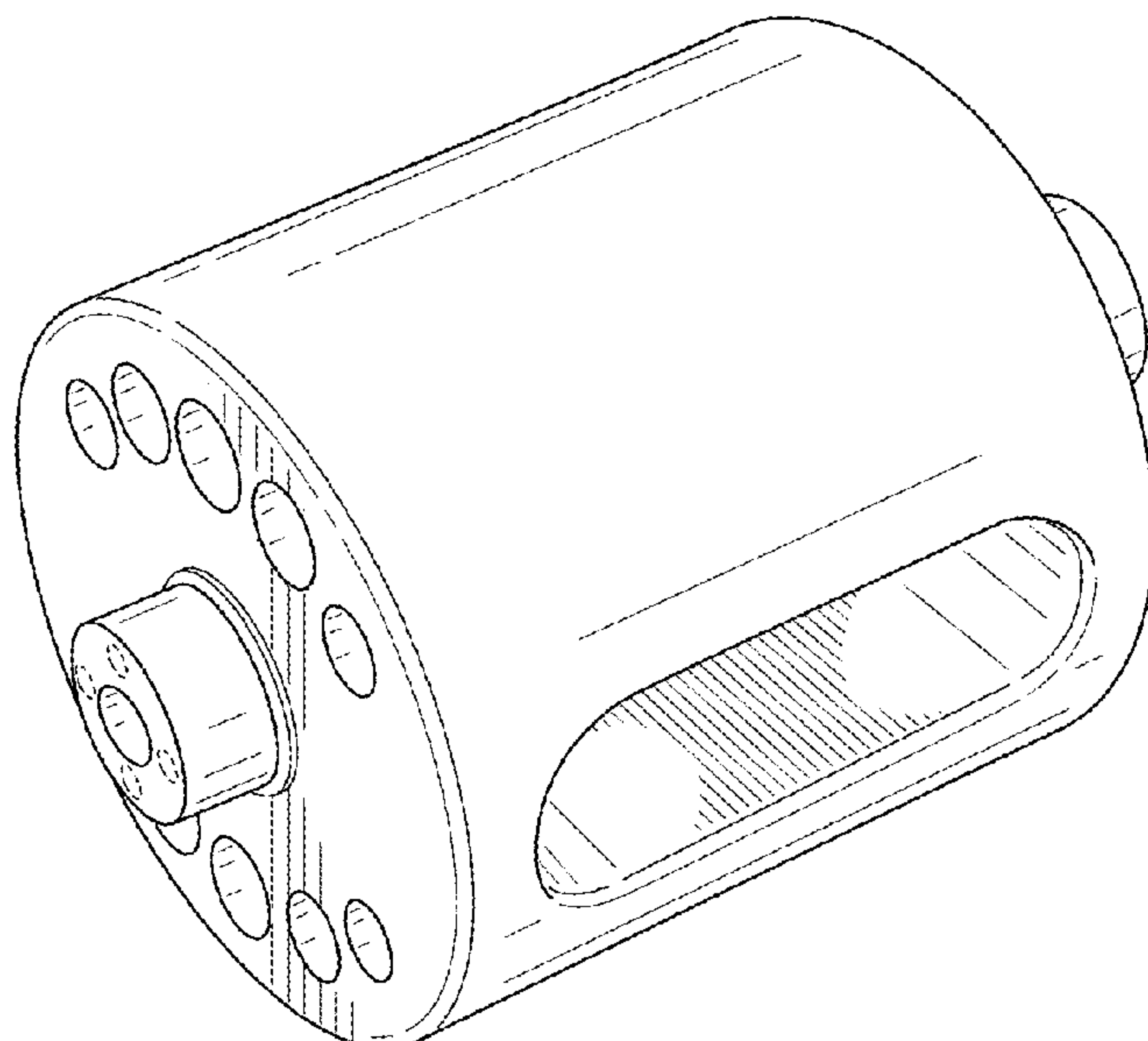
FIG. 4 is a right side view of the rotary valve of FIG. 1;

FIG. 5 is a left side view of the rotary valve of FIG. 1;

FIG. 6 is a top plan view of the rotary valve of FIG. 1; and,

FIG. 7 is a bottom plan of the rotary valve of FIG. 1.

**1 Claim, 4 Drawing Sheets**



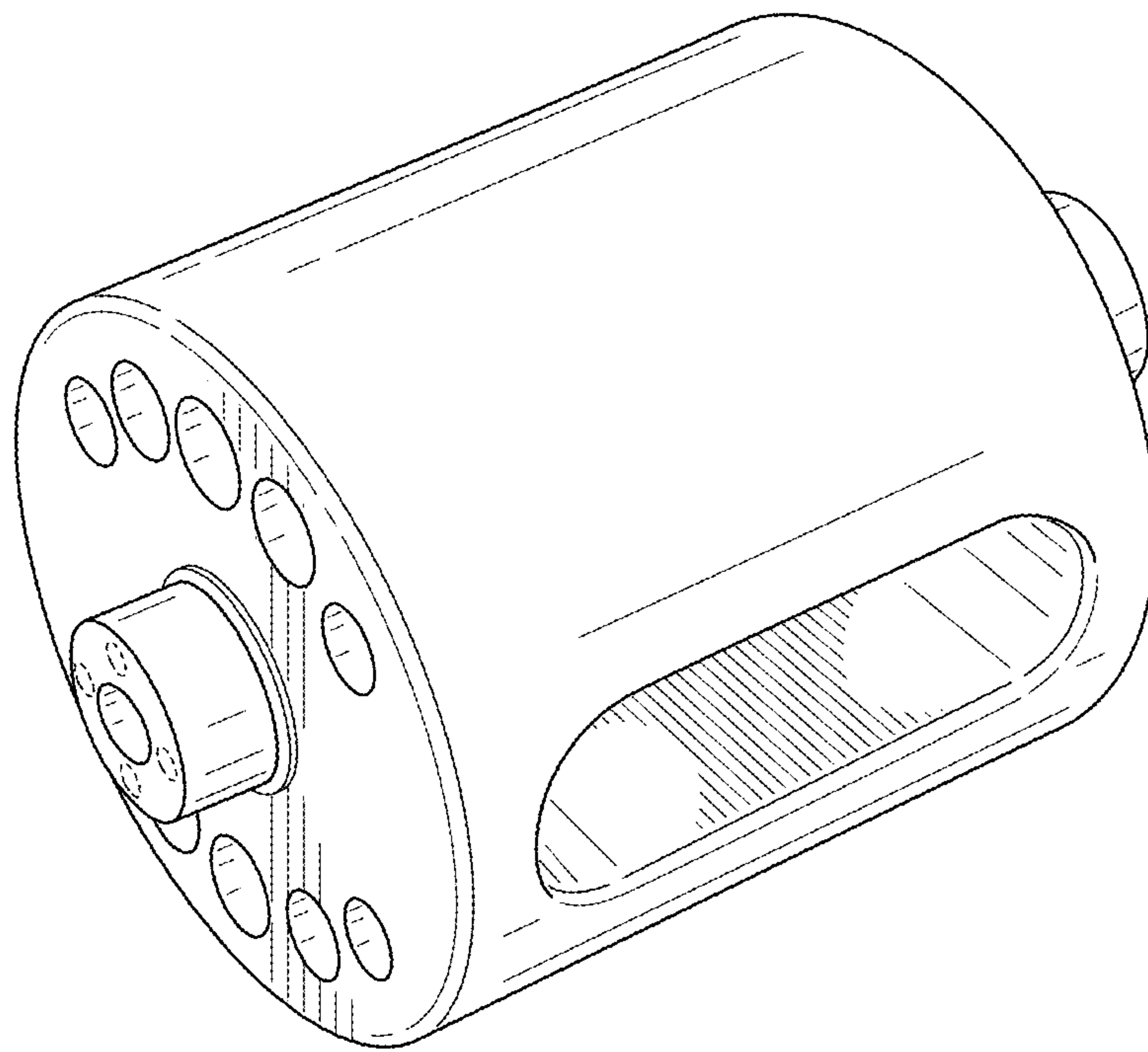
(56)

**References Cited**

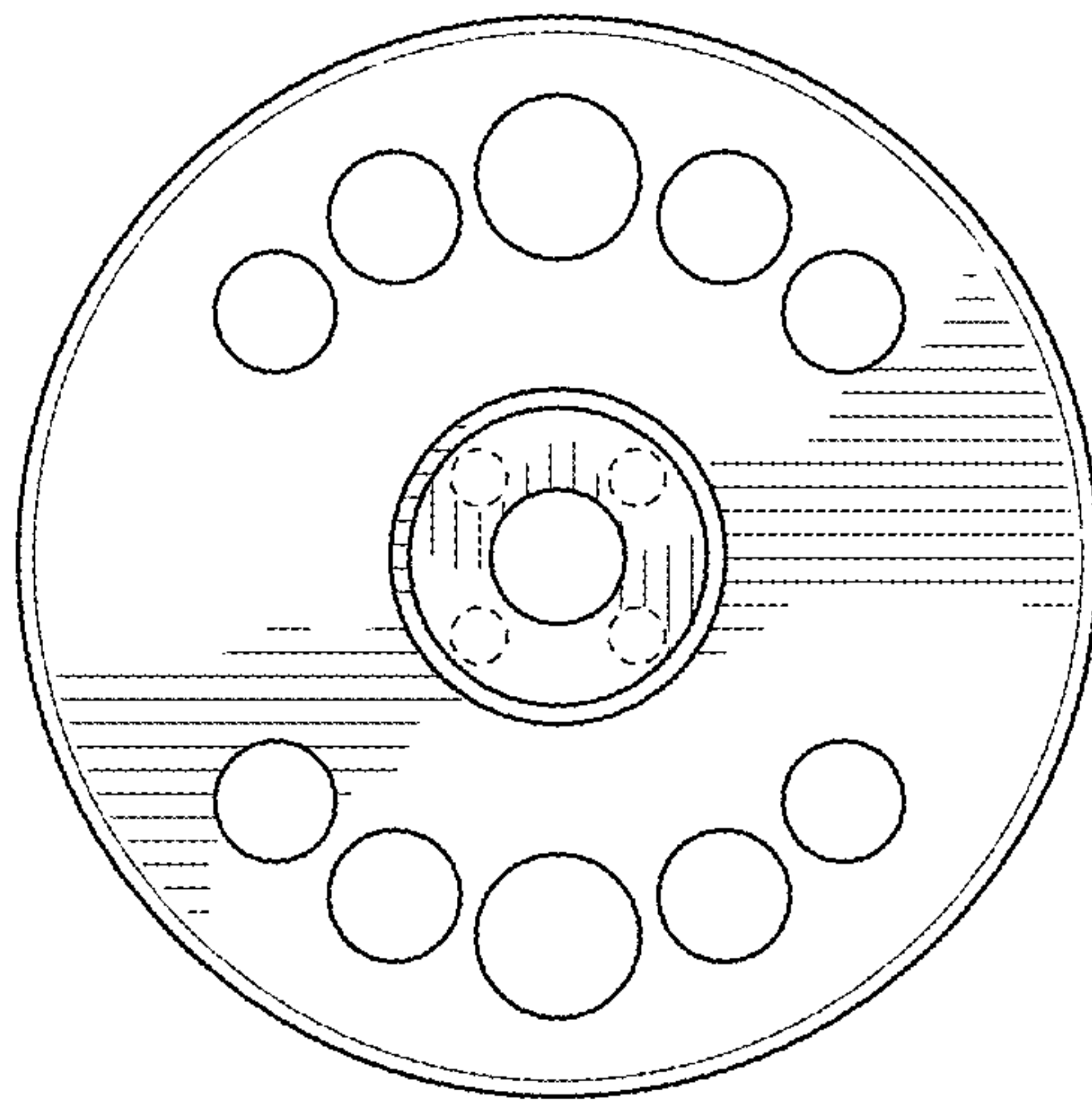
U.S. PATENT DOCUMENTS

2016/0040666 A1\* 2/2016 Kemp ..... F04C 2/344  
137/625.31  
2016/0102614 A1\* 4/2016 Williams ..... F16K 31/0606  
137/625.46

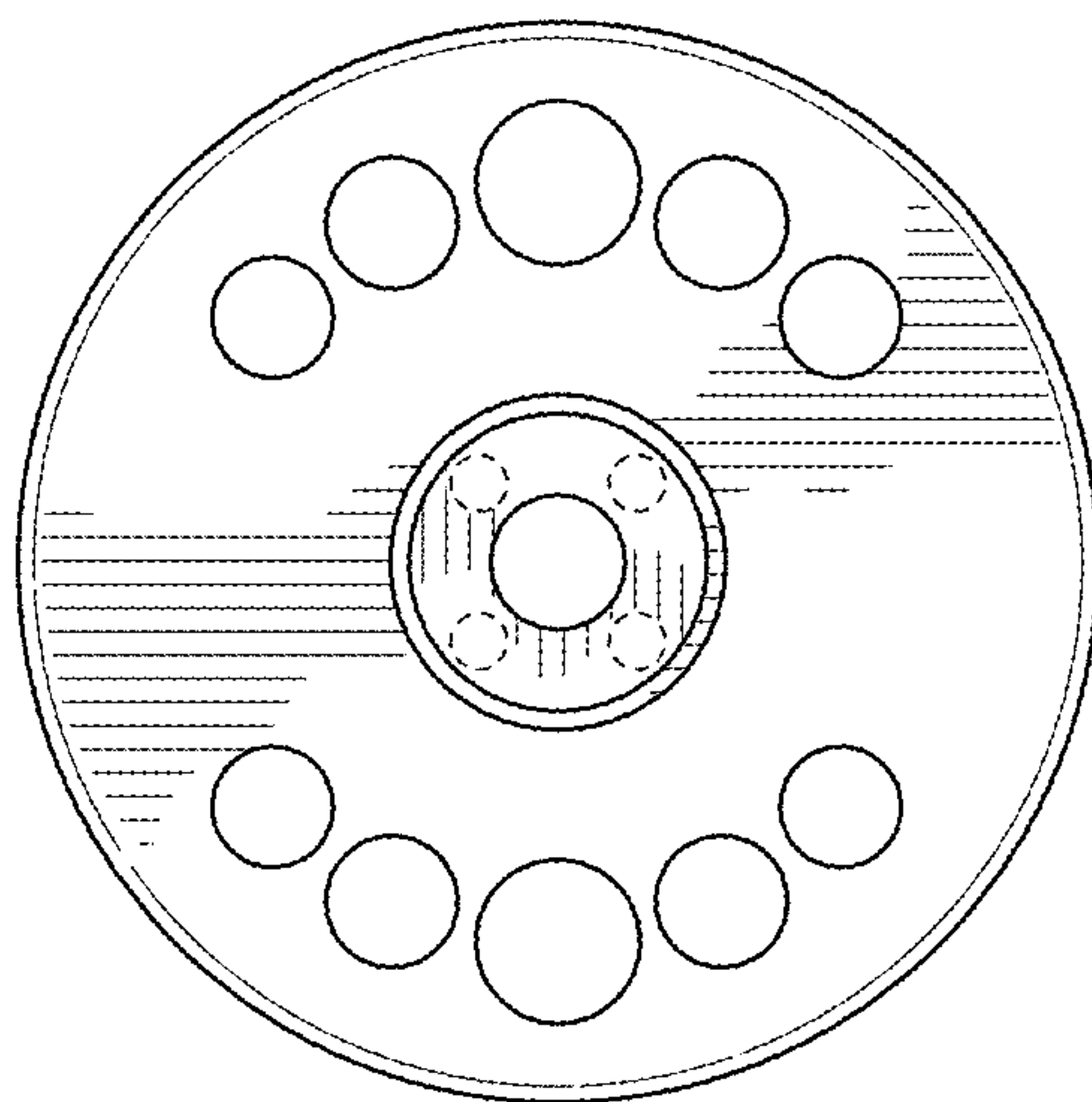
\* cited by examiner



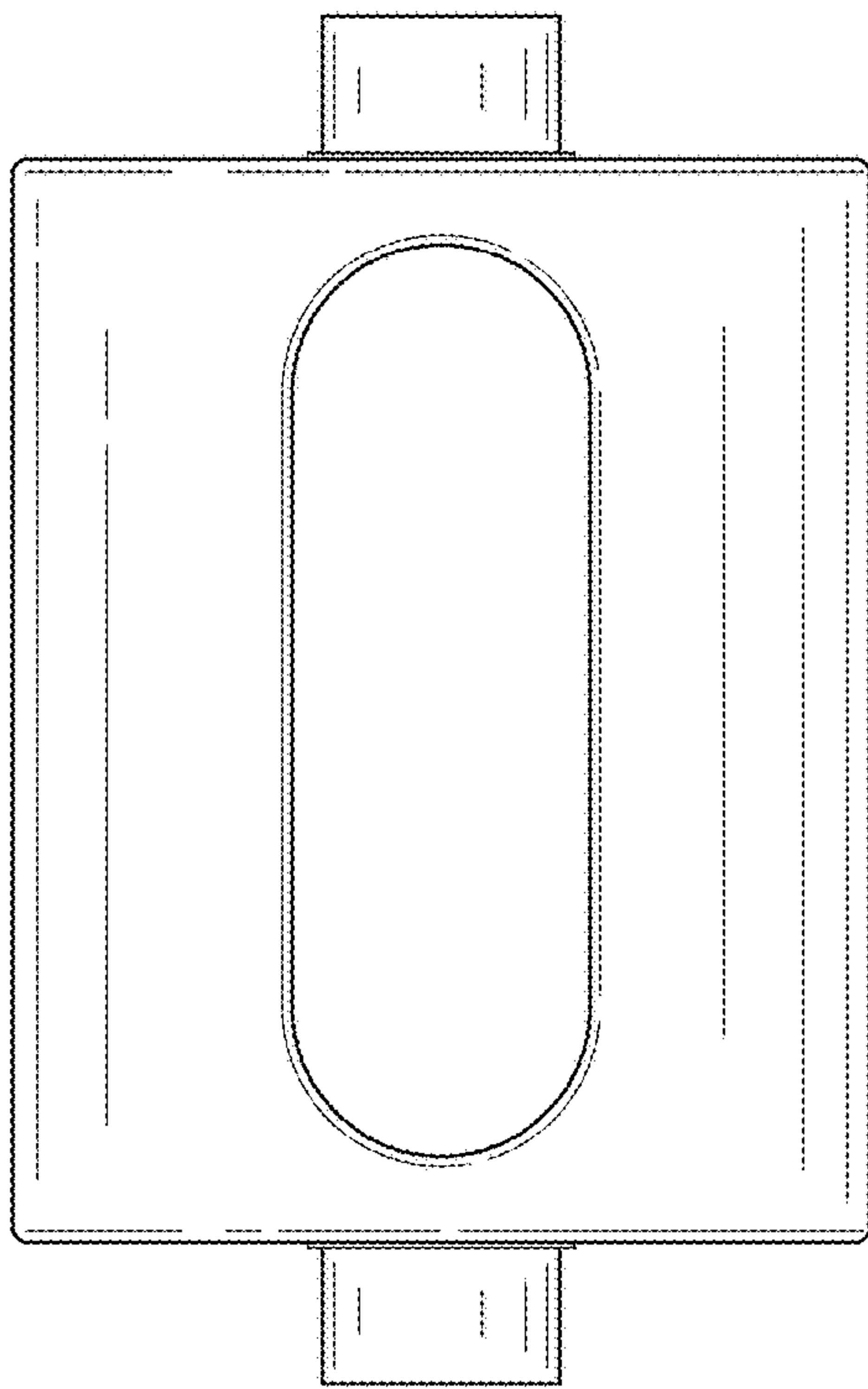
**FIG. 1**



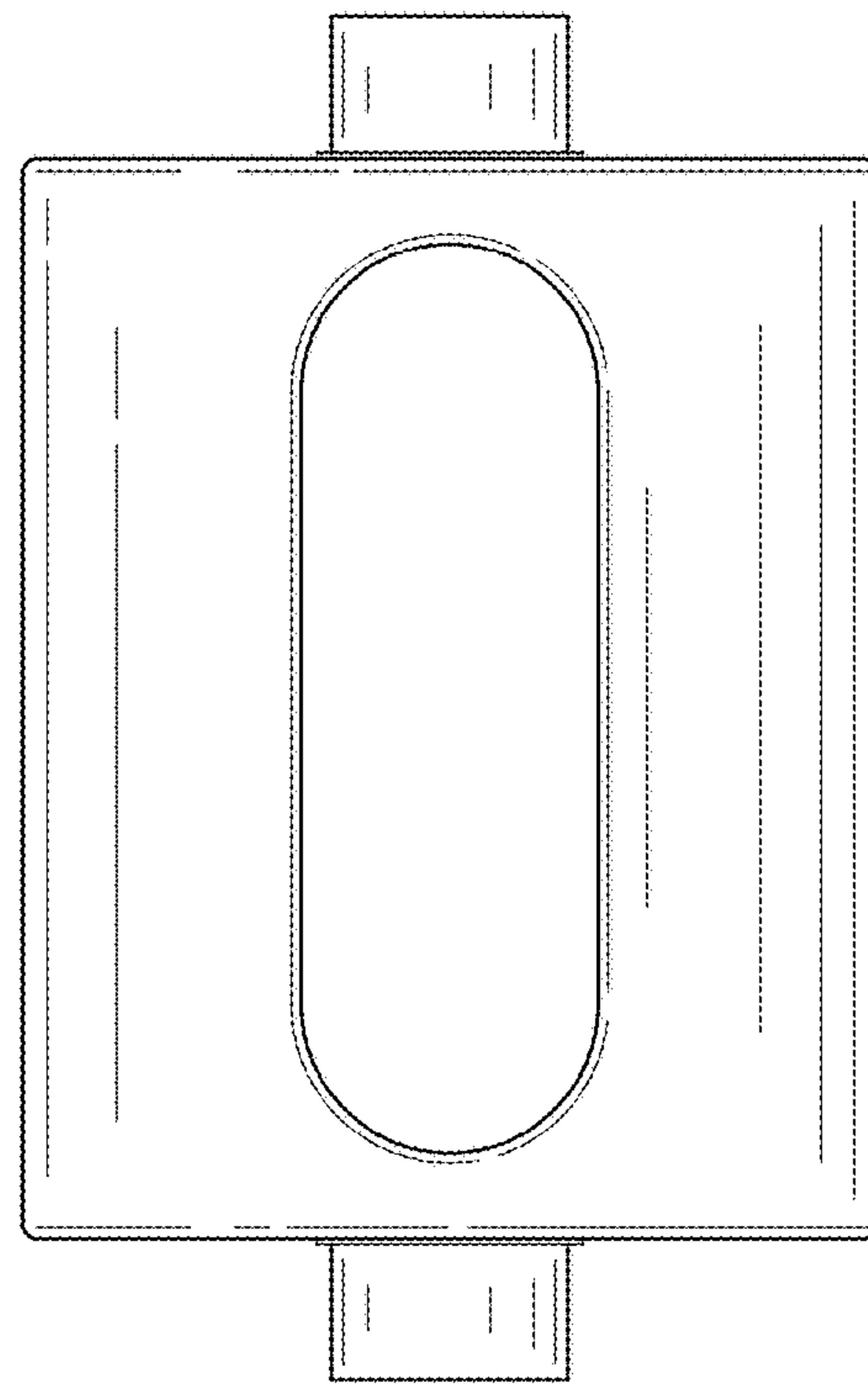
**FIG. 2**



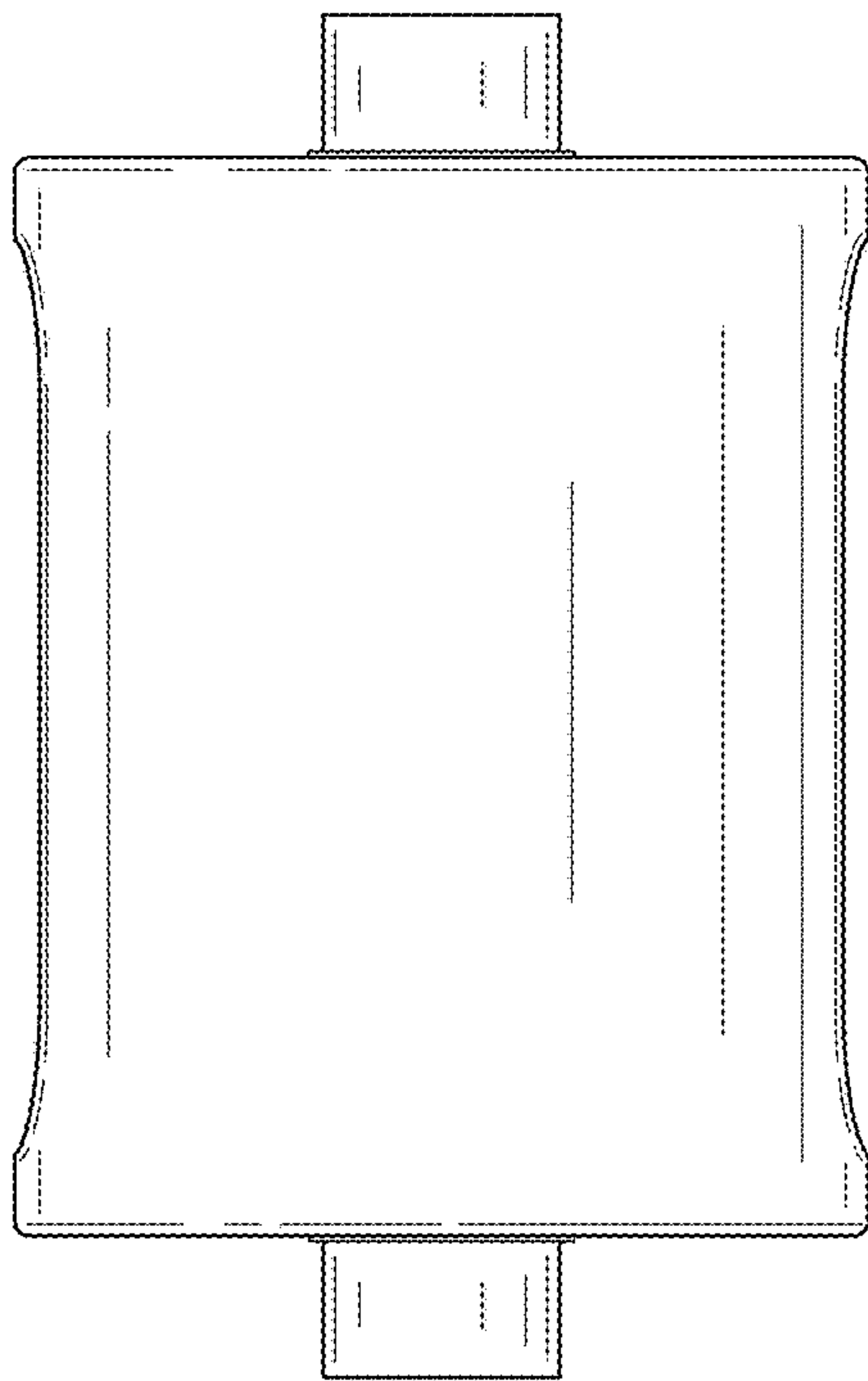
**FIG. 3**



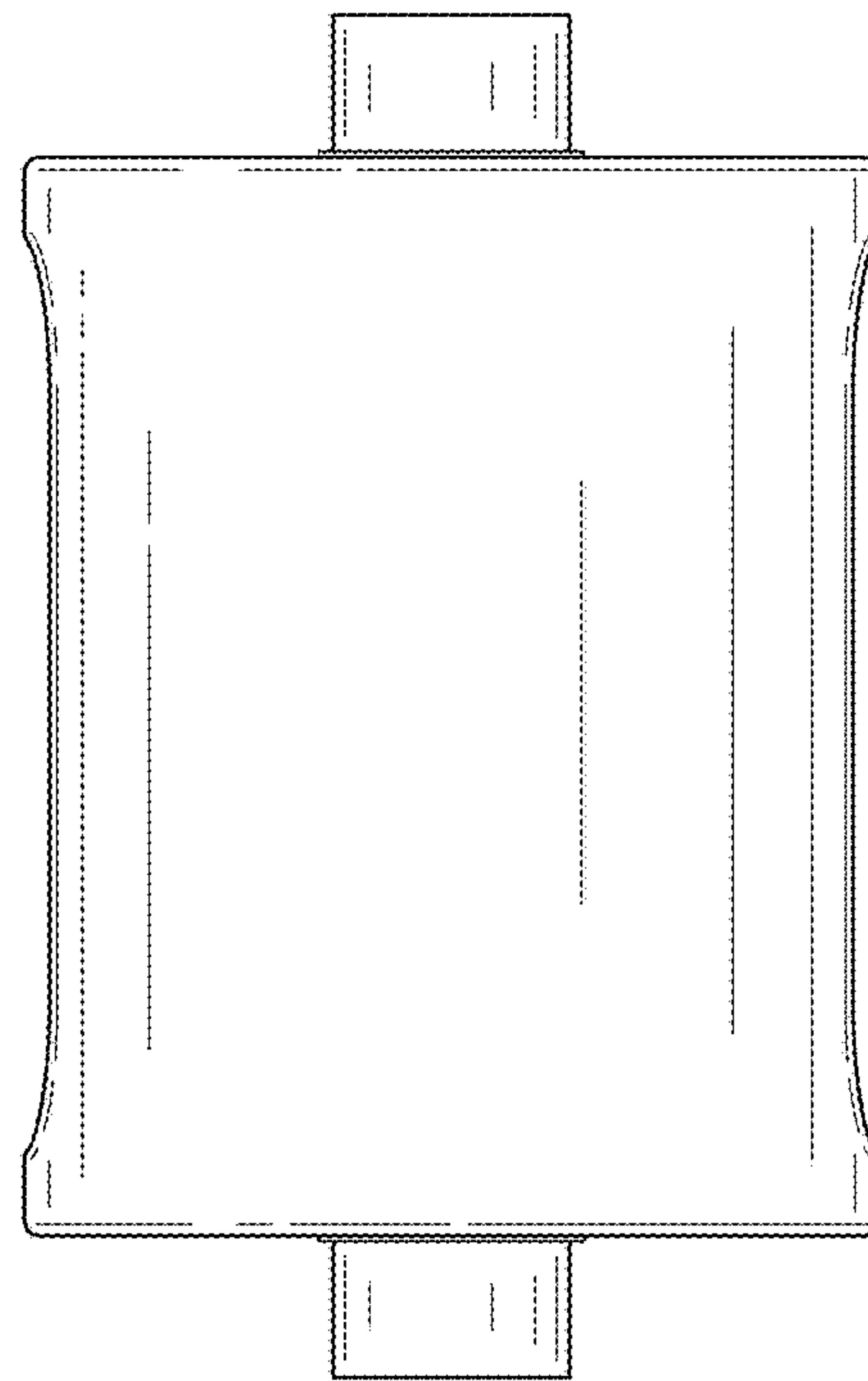
**FIG. 4**



**FIG. 5**



**FIG. 6**



**FIG. 7**