



US00D776791S

(12) **United States Design Patent**
Itou

(10) **Patent No.:** **US D776,791 S**
(45) **Date of Patent:** **** Jan. 17, 2017**

(54) **CHECK VALVE WITH VALVE SEAT**

(71) Applicant: **SUGINO MACHINE LIMITED,**
Uozu-shi, Toyama-ken (JP)

(72) Inventor: **Kouichi Itou,** Uozu (JP)

(73) Assignee: **SUGINO MACHINE LIMITED,**
Uozu-shi, Toyama-ken (JP)

(**) Term: **14 Years**

(21) Appl. No.: **29/524,065**

(22) Filed: **Apr. 16, 2015**

(30) **Foreign Application Priority Data**

Oct. 24, 2014 (JP) 2014-023851

(51) **LOC (10) Cl.** **23-01**

(52) **U.S. Cl.**
USPC **D23/237**

(58) **Field of Classification Search**
USPC D23/233-250; 417/470, 471, 549, 562,
417/570, 514, 547; 137/859, 843, 540,
515.7, 137/527, 527.8, 614.18, 484.2,
503, 505.18, 137/625.17, 542; 251/363
CPC F16K 27/0209; F16K 1/42; F16K 15/033;
F16K 15/044; F16K 1/126; F16K 1/38
See application file for complete search history.

(56) **References Cited**

U.S. PATENT DOCUMENTS

3,630,228 A * 12/1971 Turner F16K 15/026
137/484.2
5,713,389 A * 2/1998 Wilson, Jr. E21B 34/06
137/515.7
6,764,286 B2 * 7/2004 Hunnicutt B60T 8/4031
137/859
2002/0134961 A1 * 9/2002 Antoff F04B 53/1025
251/363
2003/0086801 A1 * 5/2003 Hunnicutt B60T 8/4031
417/470

2003/0183286 A1 * 10/2003 Yang F16K 15/147
137/625.17
2006/0196556 A1 * 9/2006 Johnson F16K 15/063
137/542
2006/0266422 A1 * 11/2006 Feenstra F16K 15/033
137/527
2016/0178078 A1 * 6/2016 Cormier F04B 53/10
210/656

* cited by examiner

Primary Examiner — Cynthia Ramirez

Assistant Examiner — Gino Colan

(74) *Attorney, Agent, or Firm* — Manabu Kanesaka

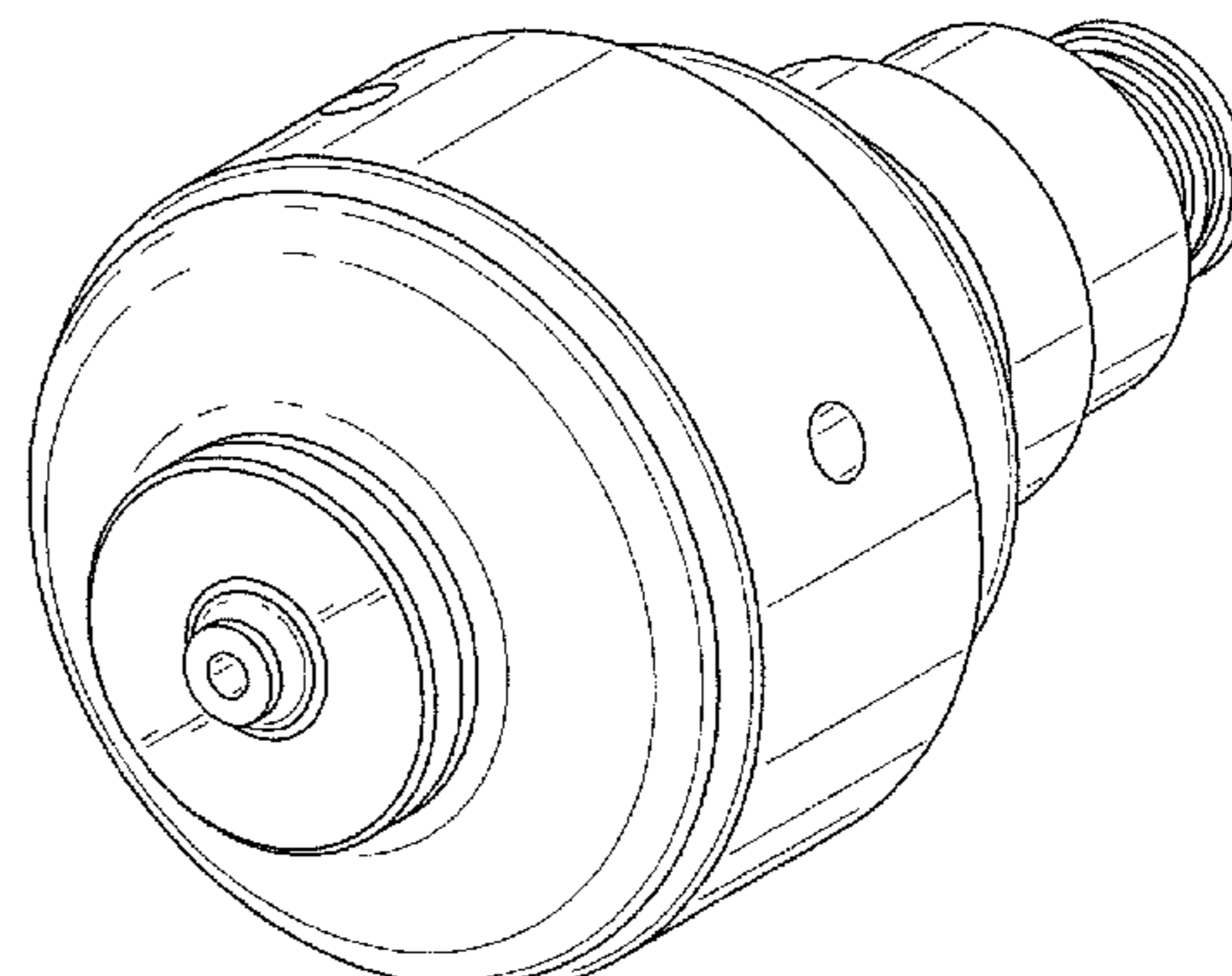
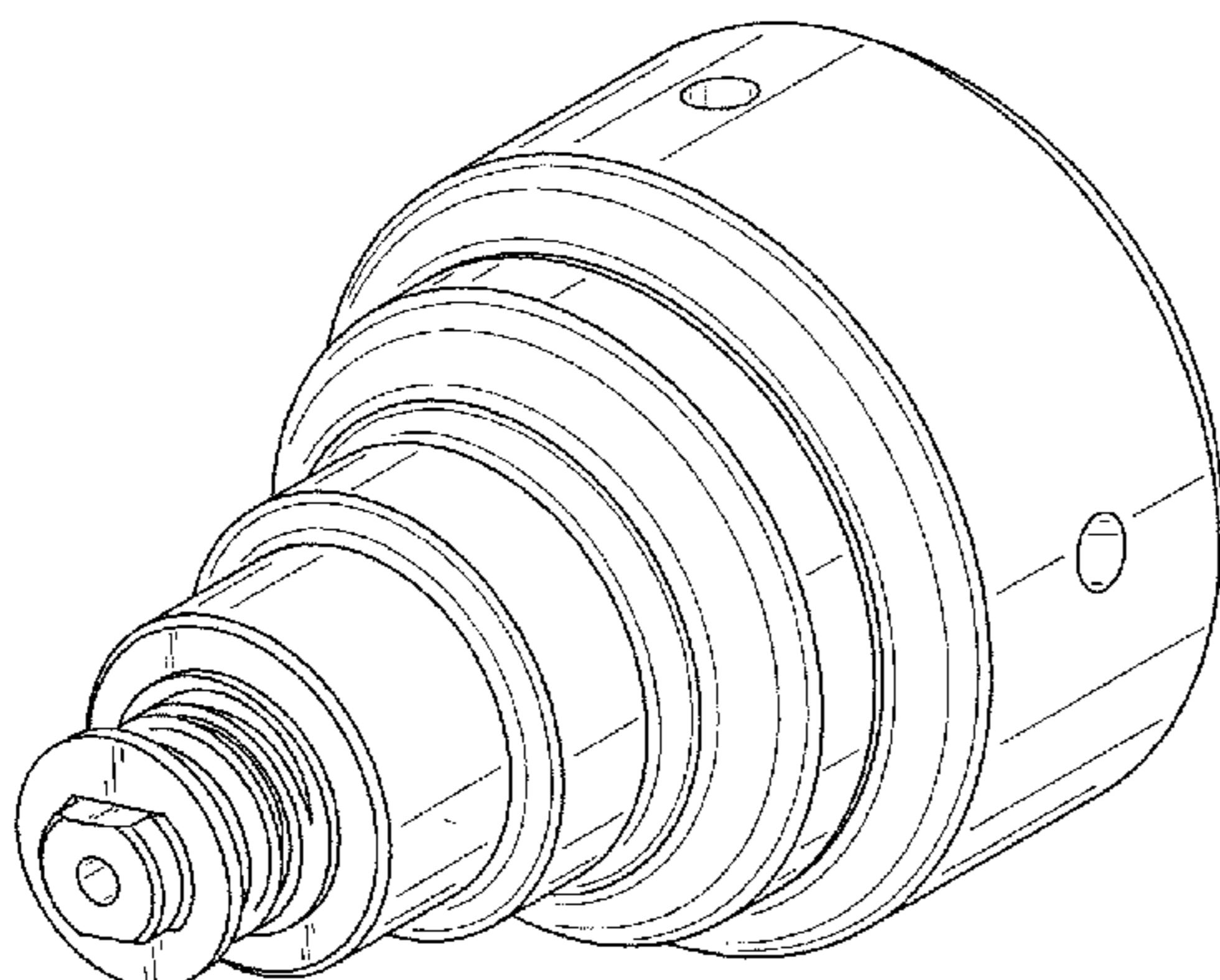
(57) **CLAIM**

The ornamental design for a check valve with valve seat, as shown and described.

DESCRIPTION

FIG. 1 is a first perspective view of a check valve with valve seat showing my new design;
FIG. 2 is a second perspective view thereof;
FIG. 3 is a front view thereof;
FIG. 4 is a rear view thereof;
FIG. 5 is a left side view thereof;
FIG. 6 is a right side view thereof;
FIG. 7 is a top plan view thereof;
FIG. 8 is a bottom plan view thereof;
FIG. 9 is a cross-sectional view thereof taken along the line 9-9 in FIG. 5;
FIG. 10 is a cross-sectional view thereof taken along the line 10-10 in FIG. 3;
FIG. 11 is a cross-sectional view thereof taken along the line 11-11 in FIG. 3;
FIG. 12 is a cross-sectional view thereof taken along the line 12-12 in FIG. 3;
FIG. 13 is a cross-sectional view thereof taken along the line 13-13 in FIG. 3; and,
FIG. 14 is a cross-sectional view thereof taken along the line 14-14 in FIG. 3.

1 Claim, 13 Drawing Sheets



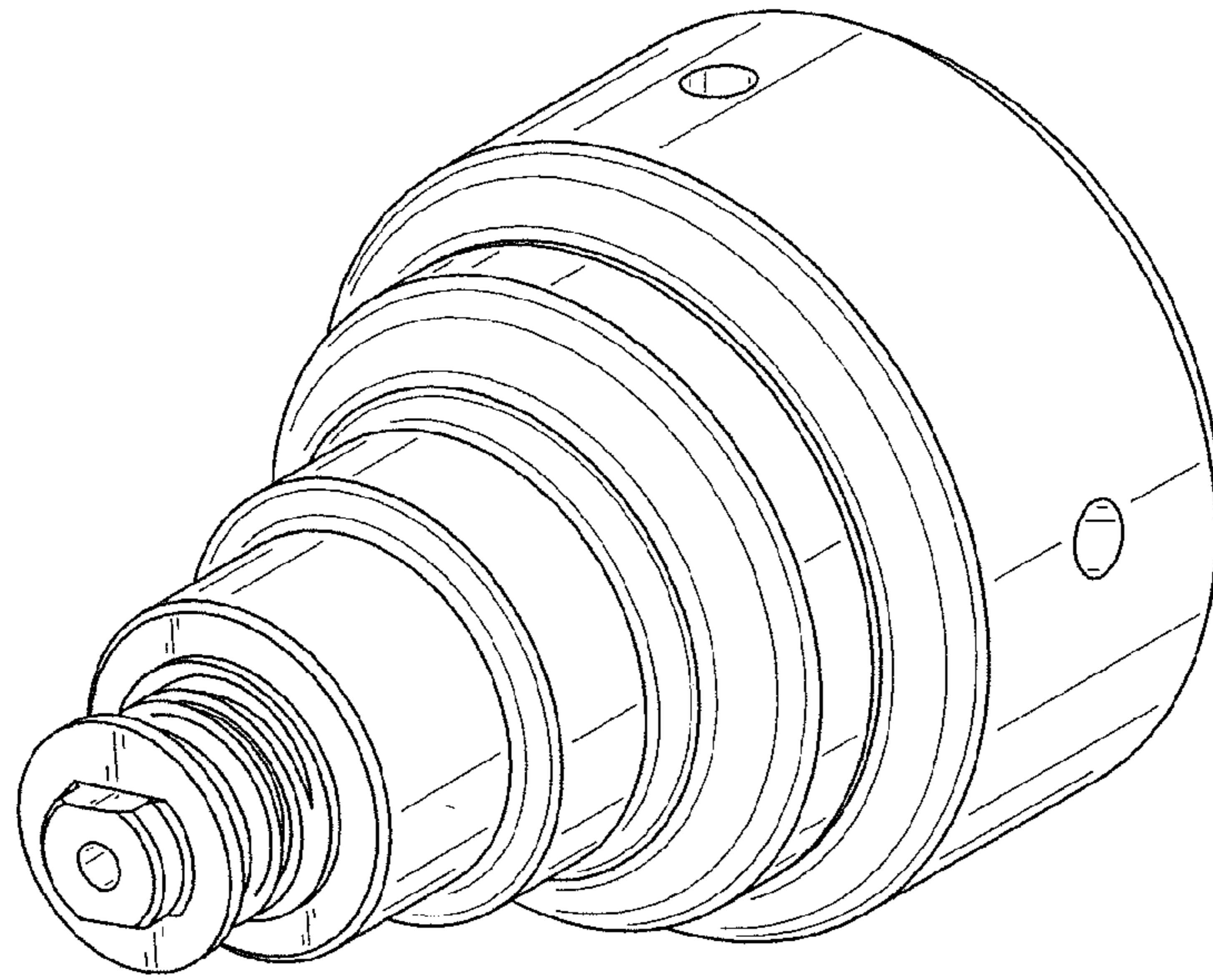


FIG. 1

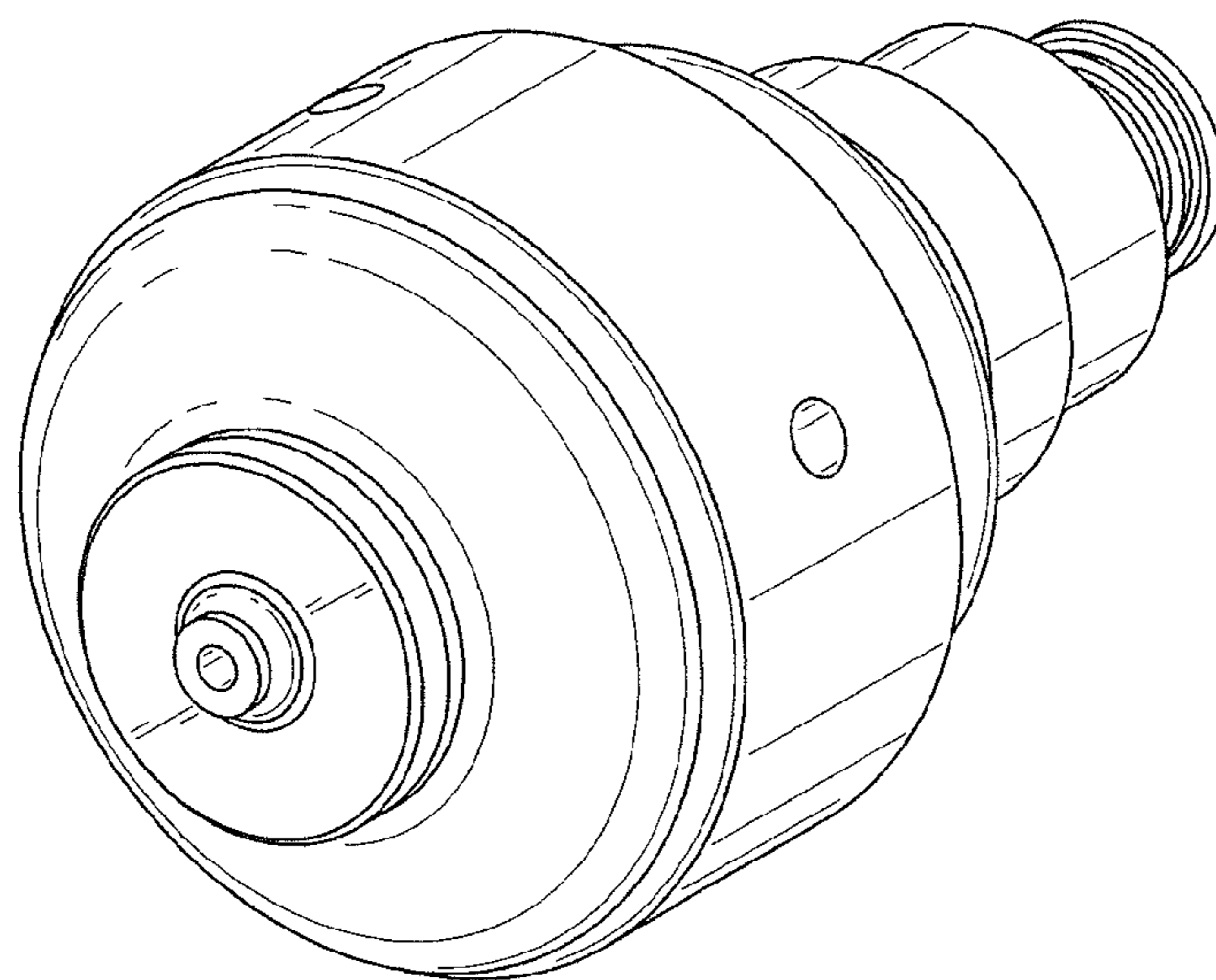


FIG. 2

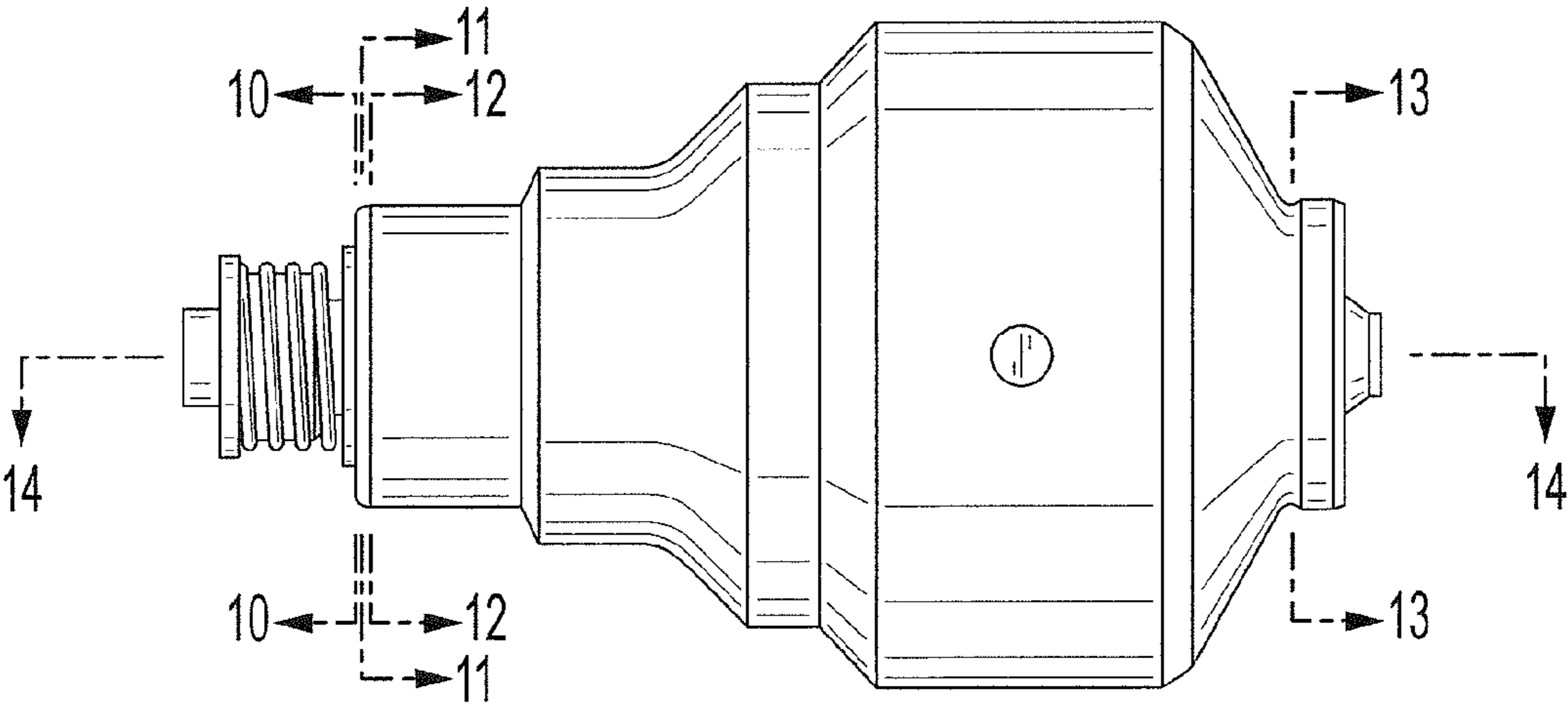


FIG. 3

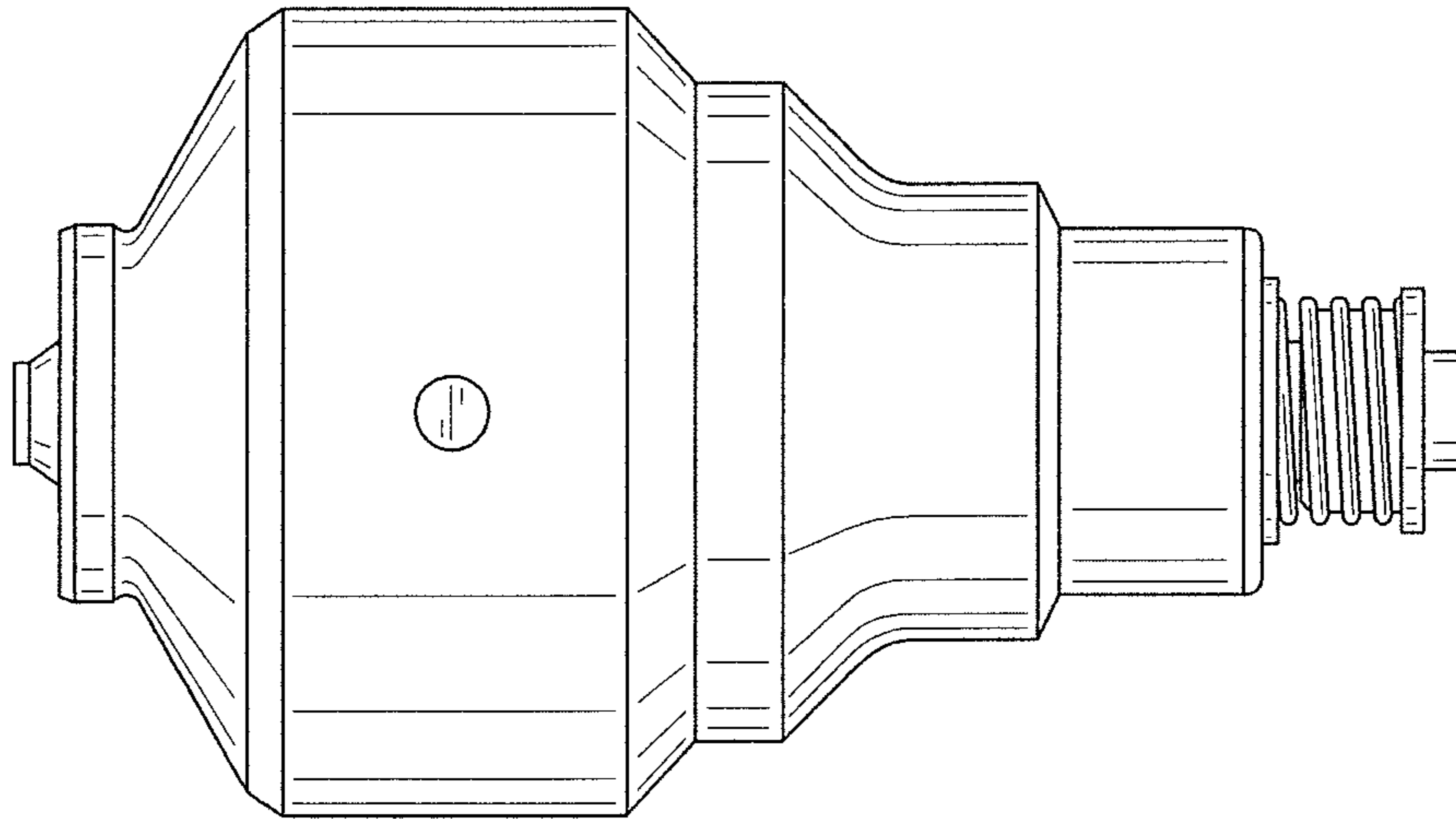


FIG. 4

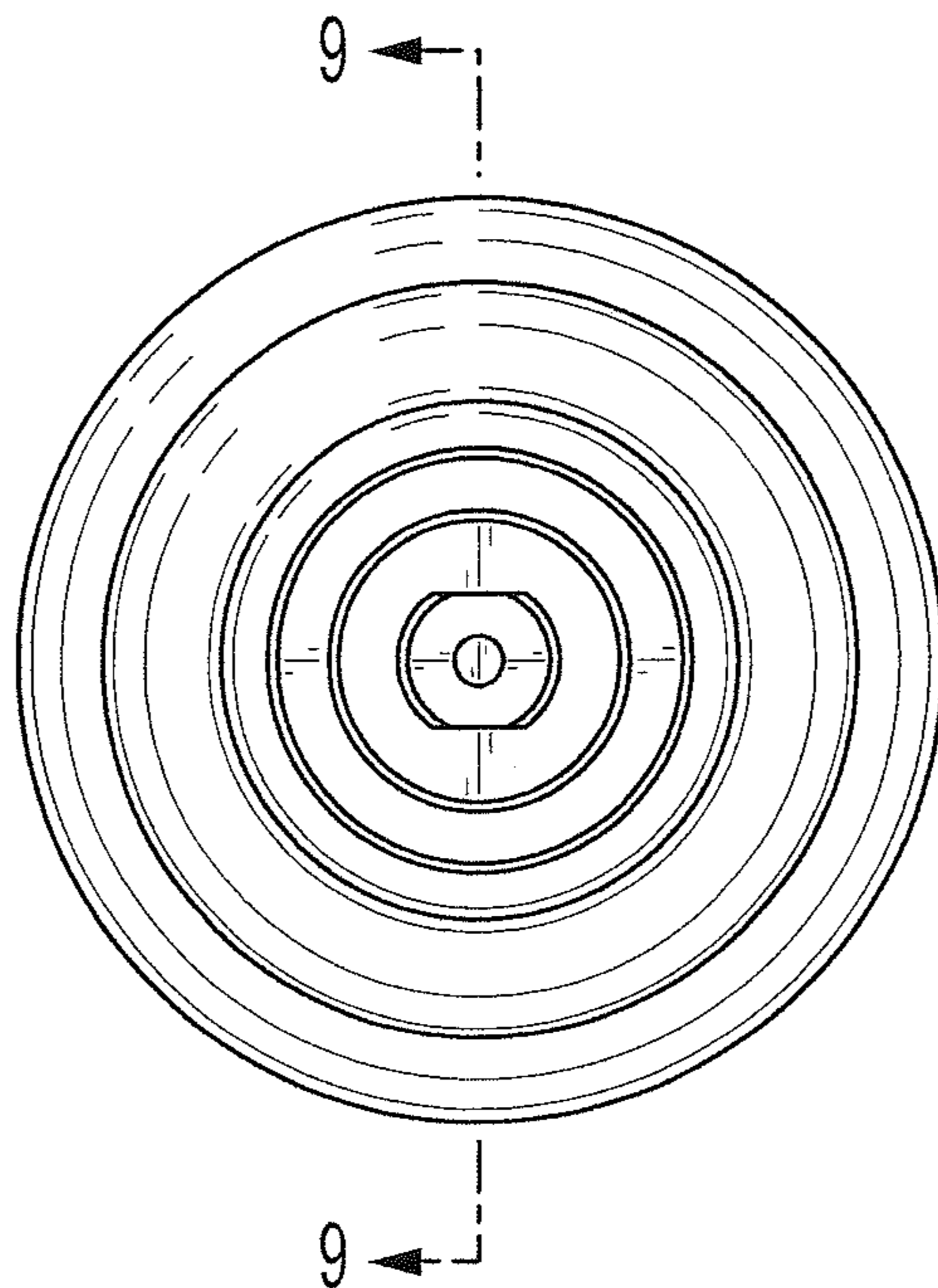


FIG. 5

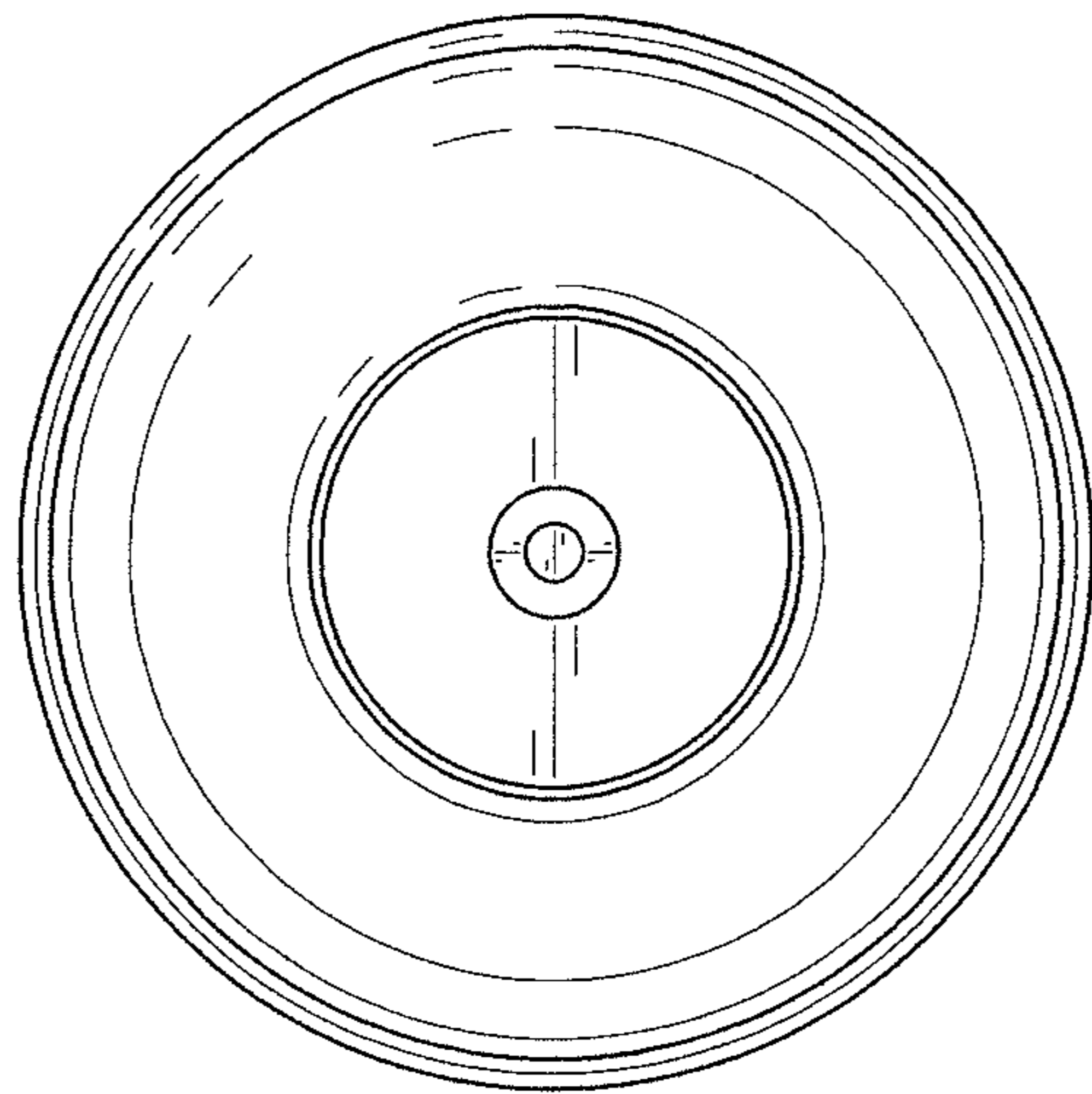


FIG. 6

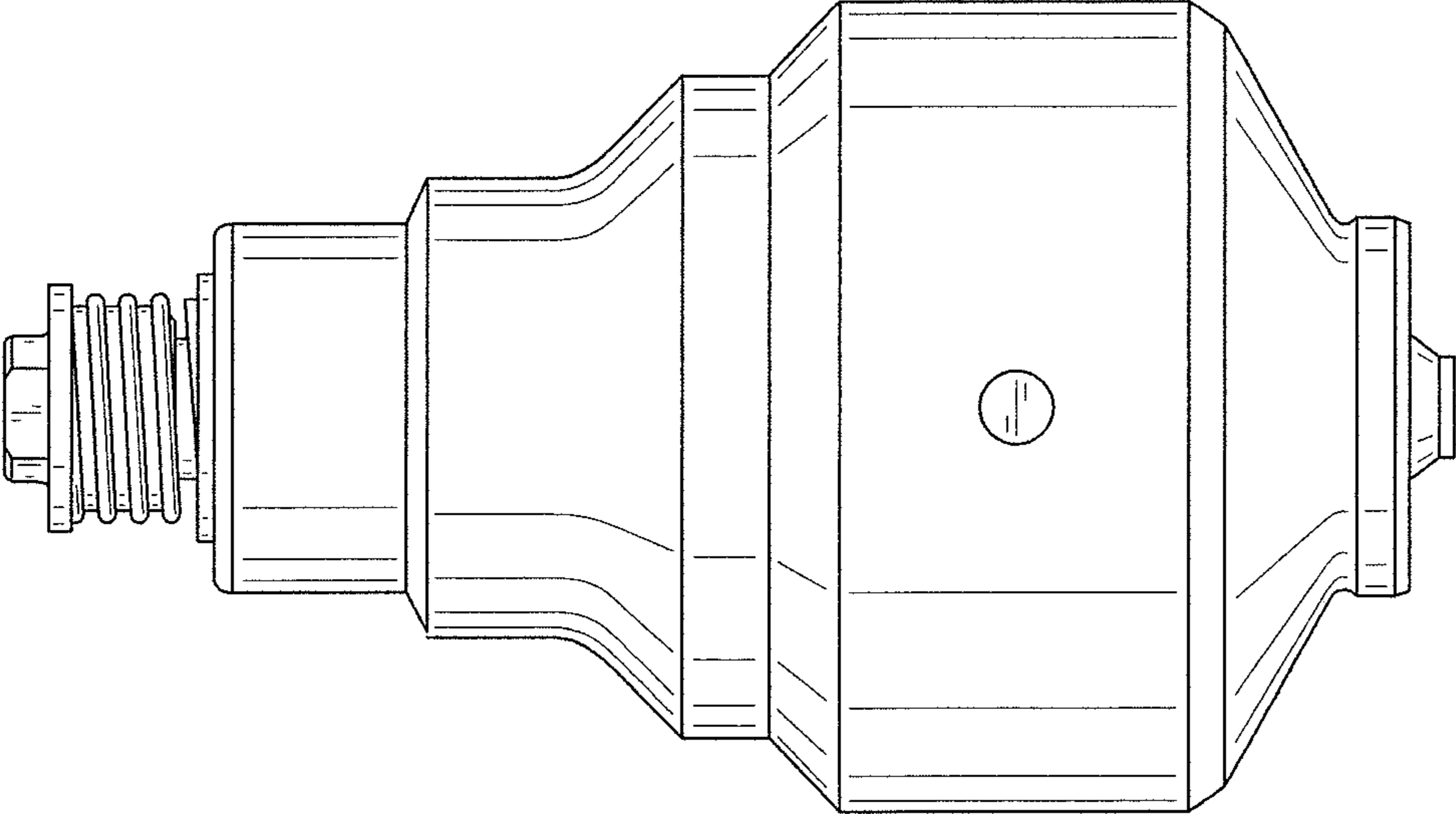


FIG. 7

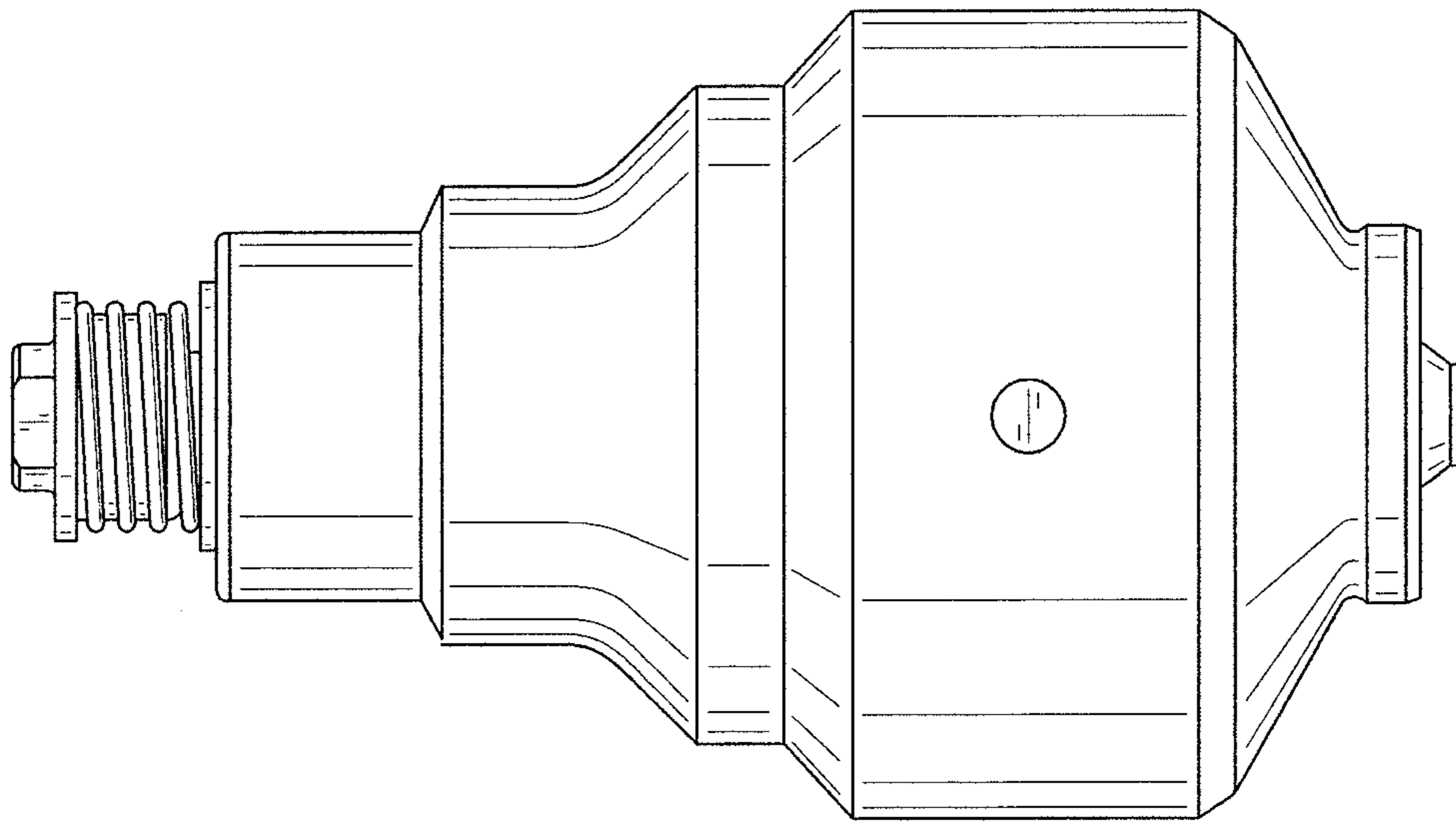


FIG. 8

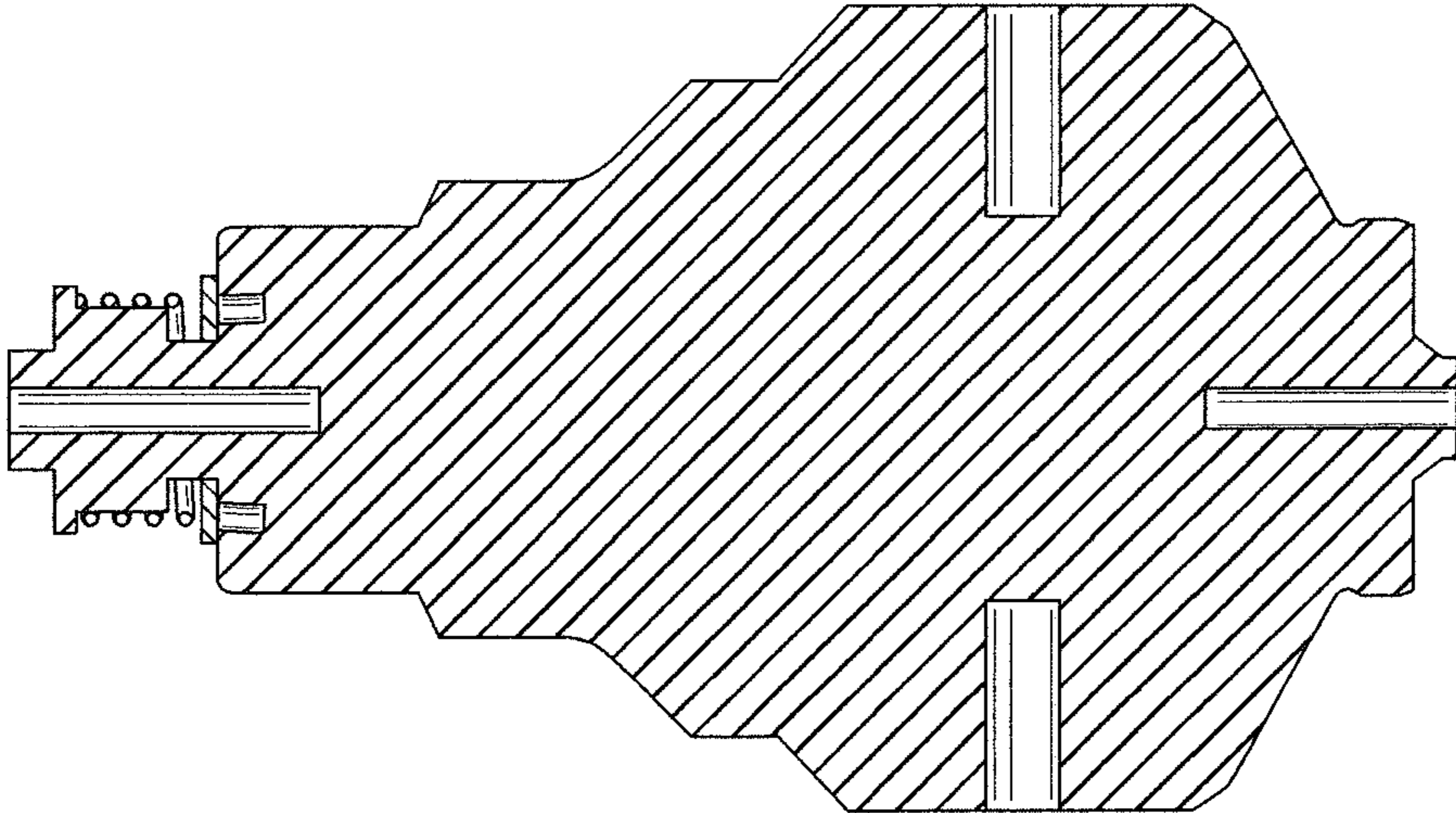


FIG. 9

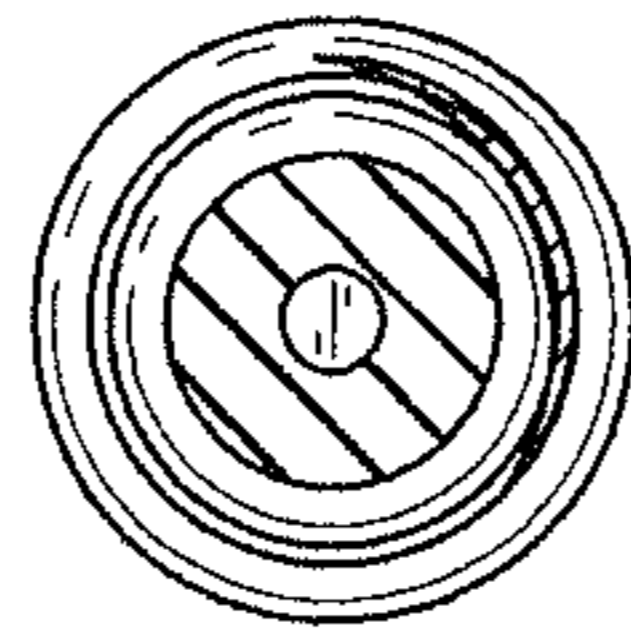


FIG. 10

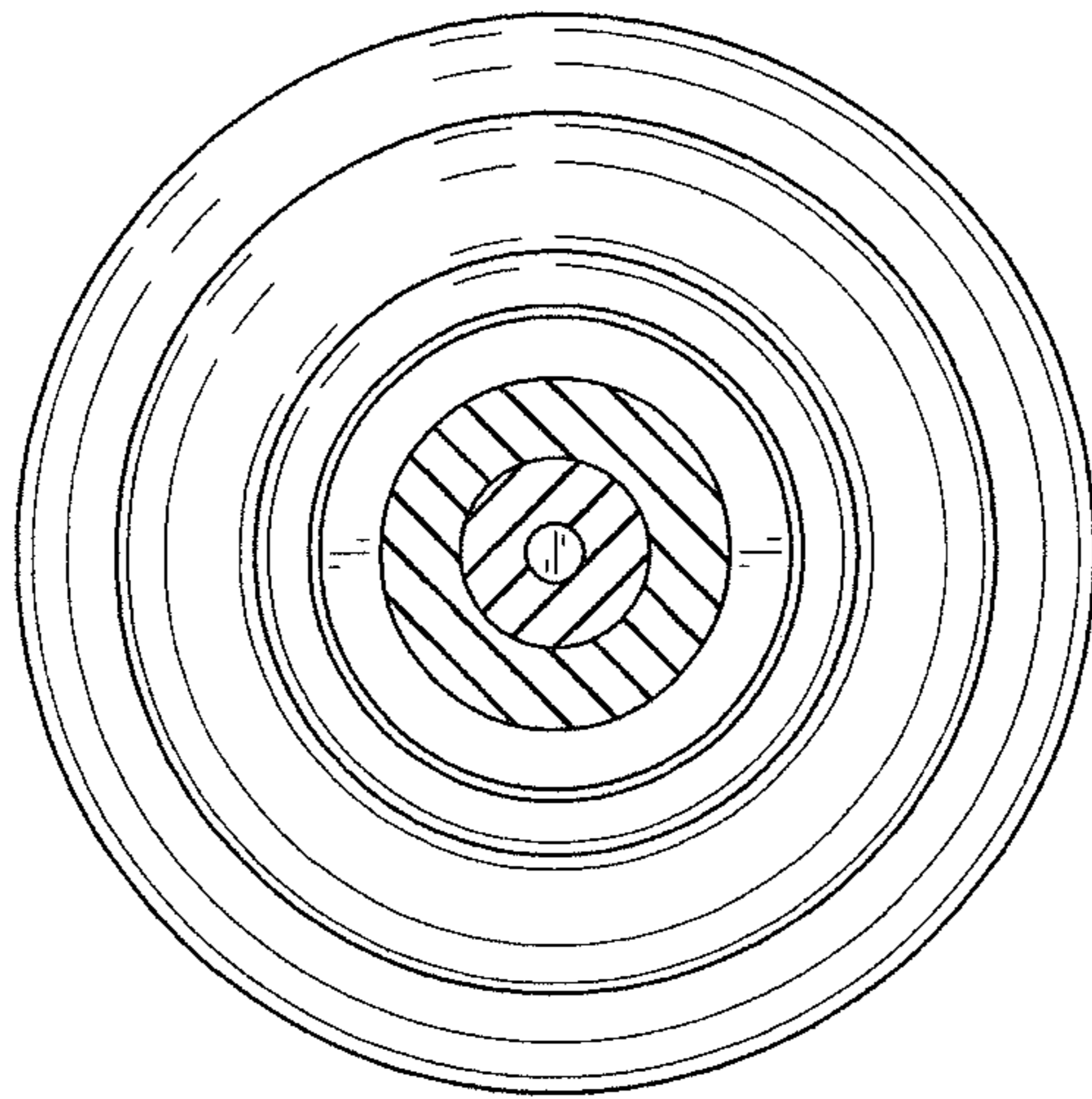


FIG. 11

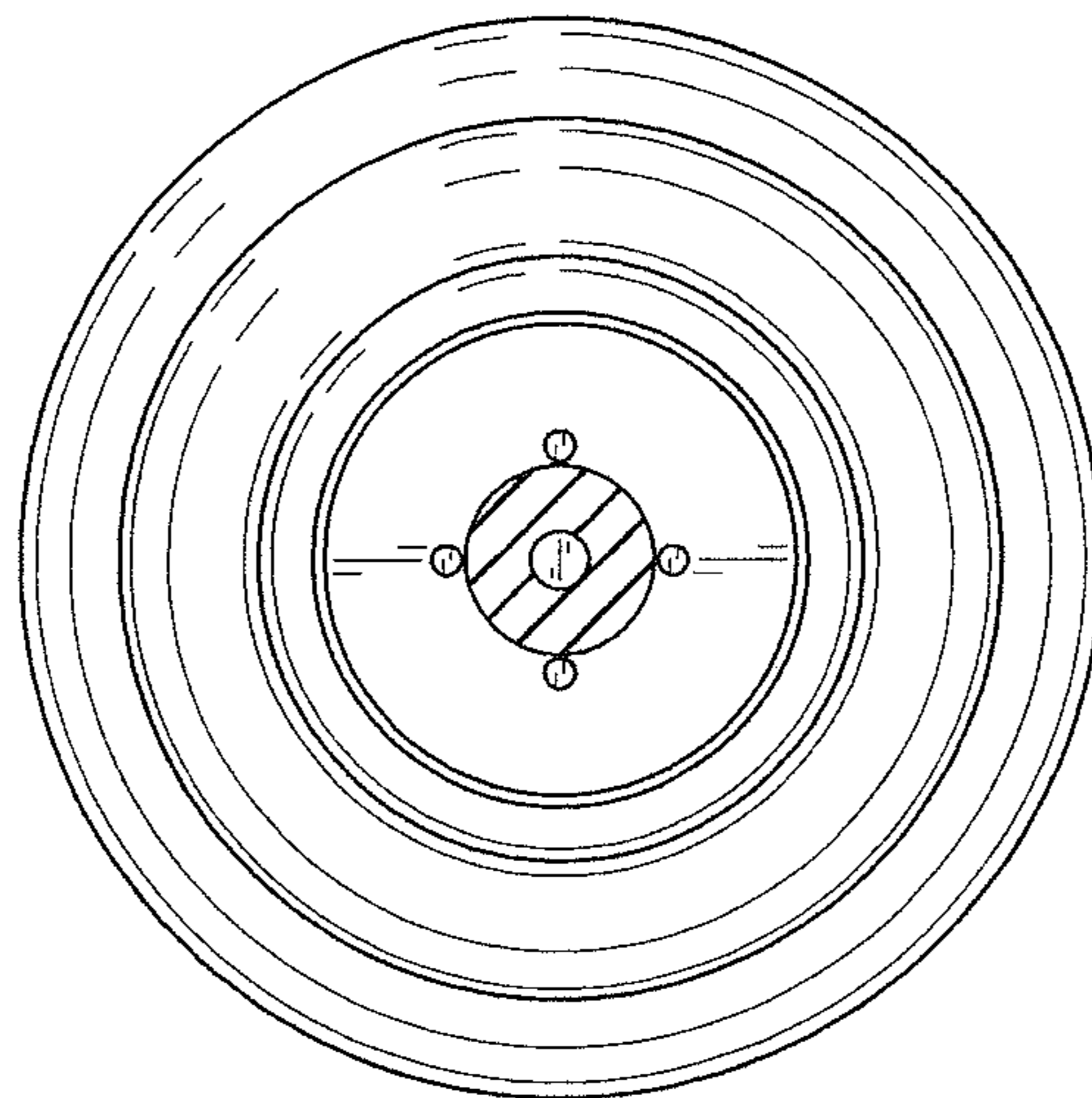


FIG. 12

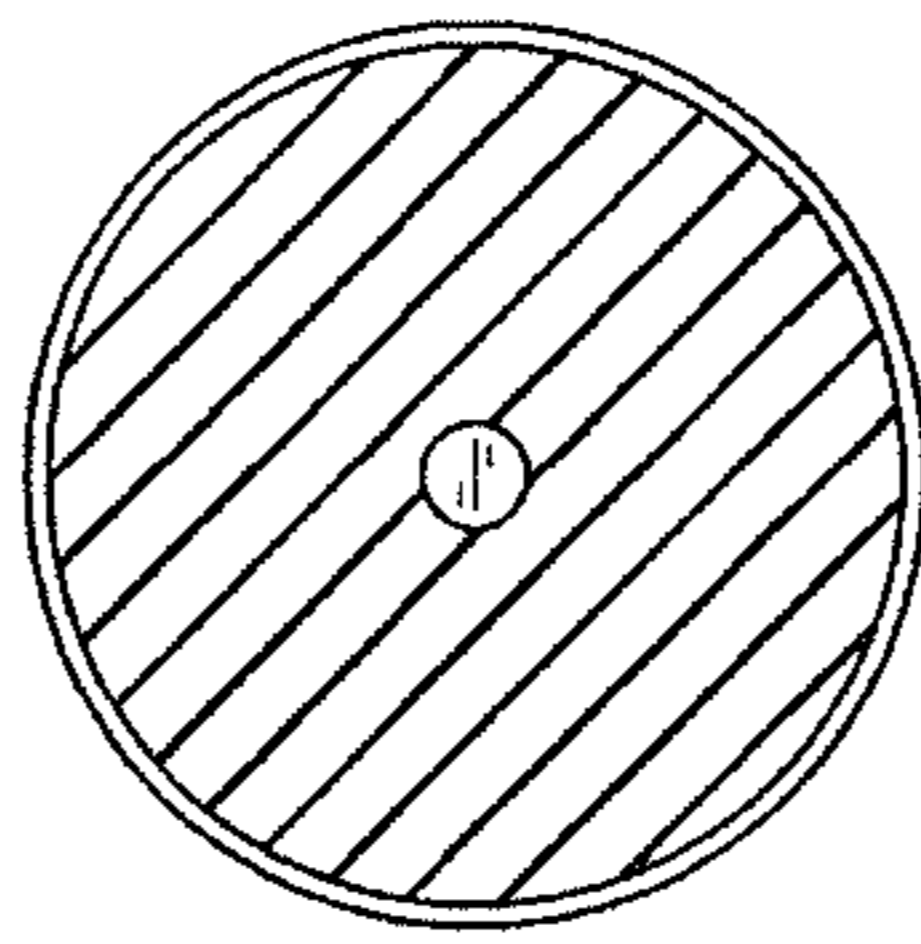


FIG. 13

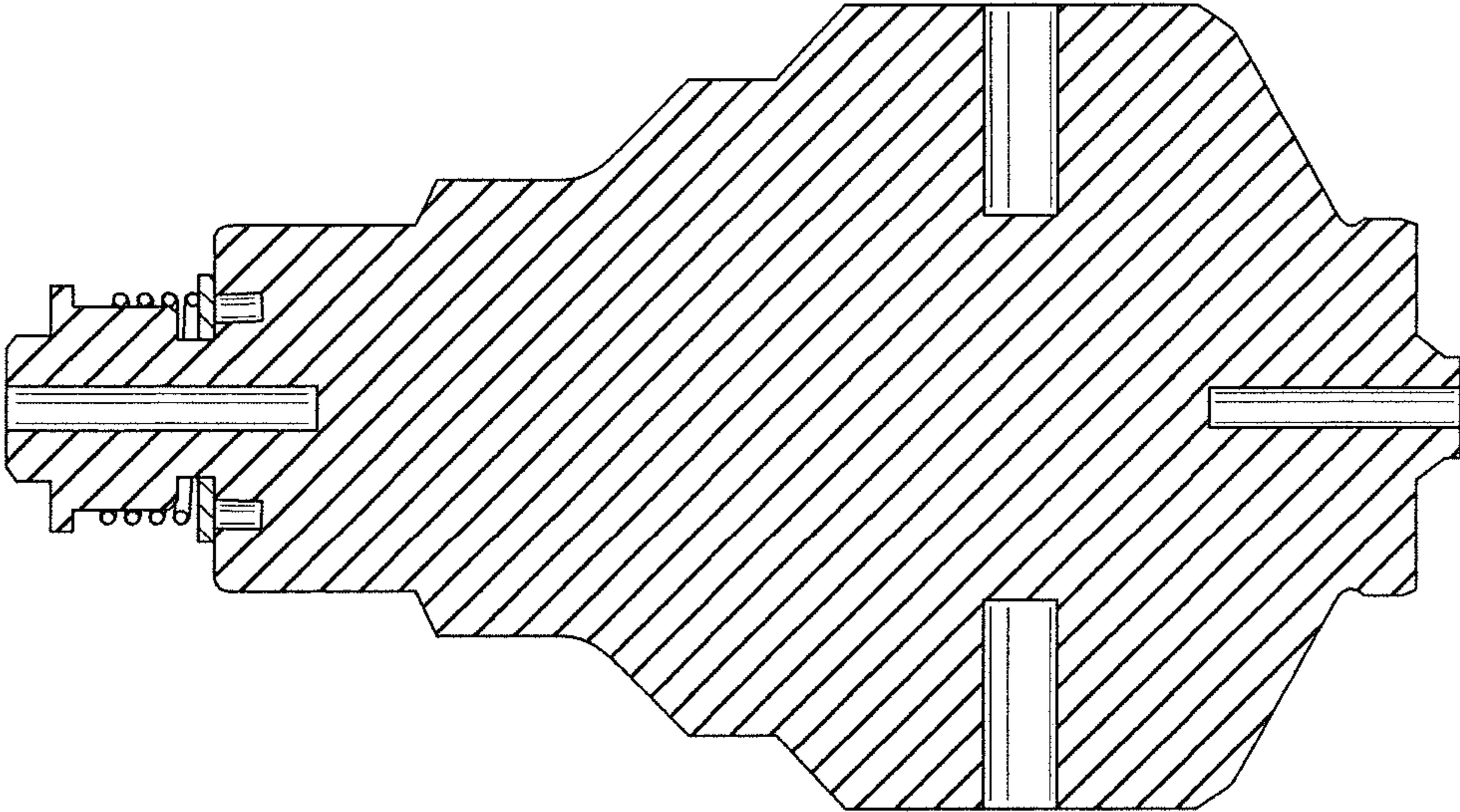


FIG. 14