



US00D776789S

(12) **United States Design Patent**  
**Hanna et al.**

(10) **Patent No.:** **US D776,789 S**  
(45) **Date of Patent:** **\*\* Jan. 17, 2017**

- (54) **SHOWER FACEPLATE**
- (71) Applicant: **Kohler Co.**, Kohler, WI (US)
- (72) Inventors: **Kenneth S. Hanna**, Bellingham, VA (US); **Gregory de Swarte**, Sheboygan, WI (US); **Leila M. Rubin**, New York, NY (US); **Eugenio Duarte**, Sheboygan Falls, WI (US)
- (73) Assignee: **Kohler Co.**, Kohler, WI (US)
- (\*\*) Term: **15 Years**
- (21) Appl. No.: **29/559,391**
- (22) Filed: **Mar. 28, 2016**

**Related U.S. Application Data**

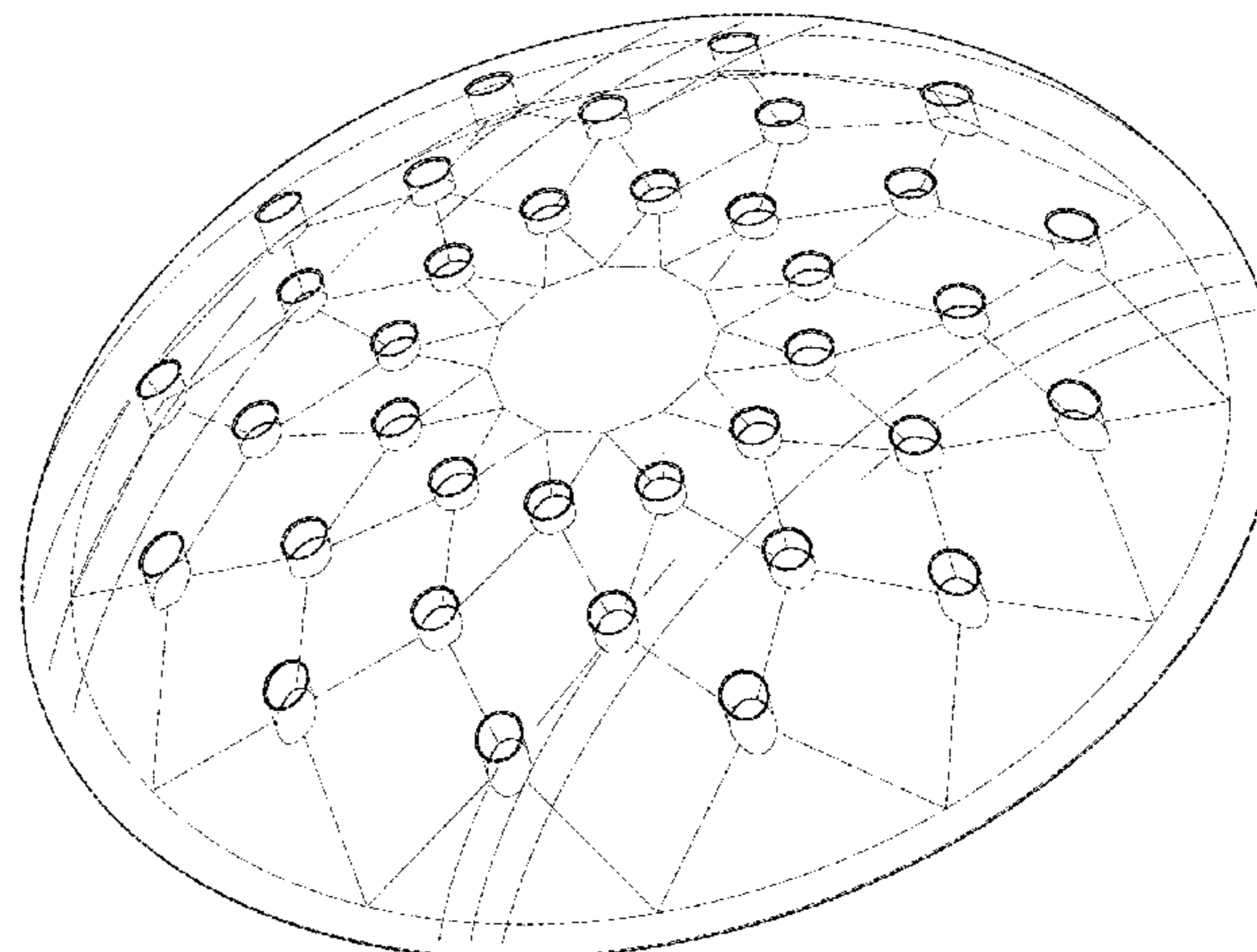
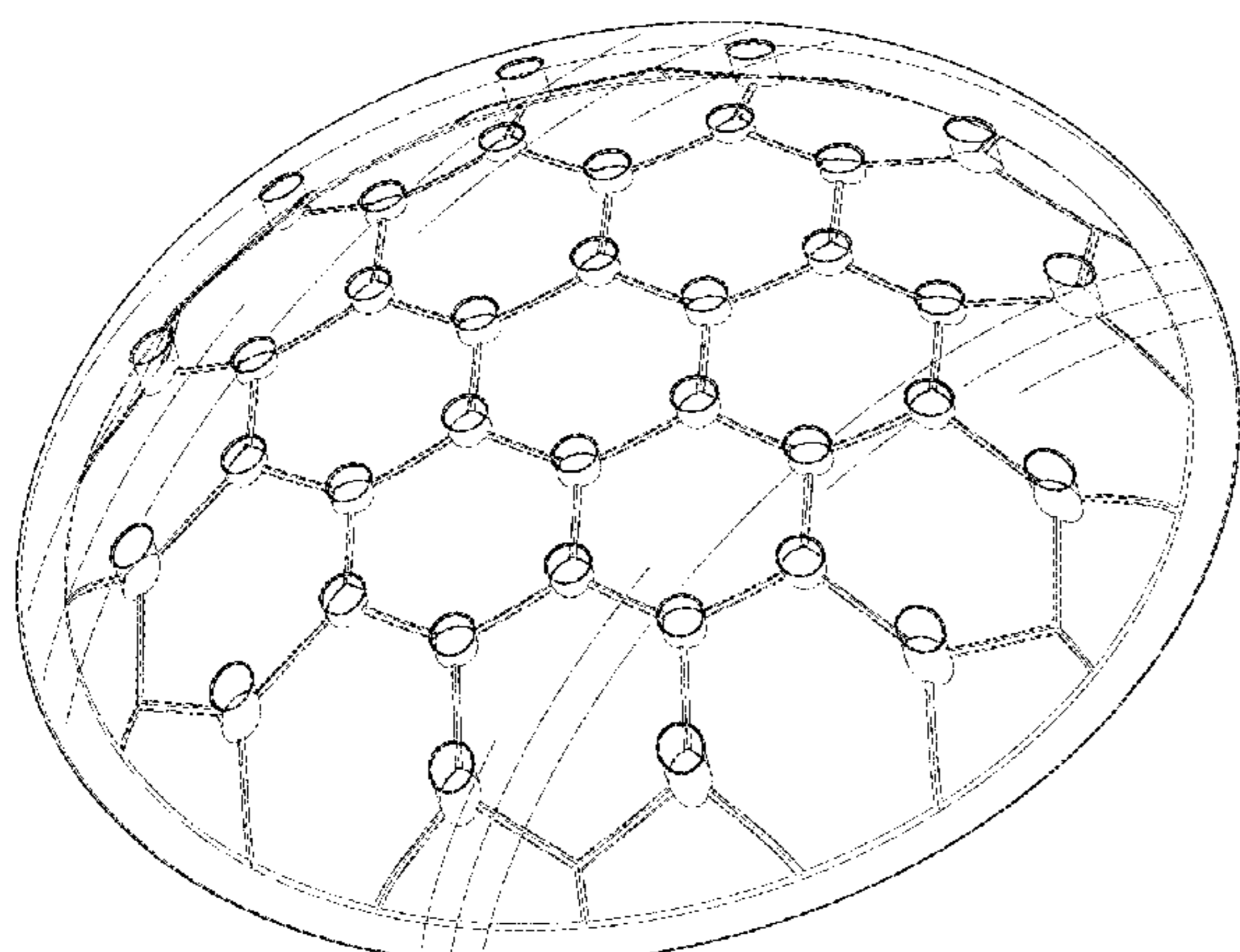
- (60) Division of application No. 29/504,669, filed on Oct. 8, 2014, now Pat. No. Des. 754,283, which is a division of application No. 29/450,323, filed on Mar. 16, 2013, now Pat. No. Des. 715,398, application No. 29/559,391, which is a continuation-in-part of application No. 29/535,968, filed on Aug. 12, 2015, now Pat. No. Des. 752,712, which is a division of application No. 29/467,020, filed on Sep. 13, 2013, now Pat. No. Des. 740,917, which is a continuation-in-part of application No. 29/450,323, filed on Mar. 16, 2013, now Pat. No. Des. 715,398.
- (51) **LOC (10) Cl.** ..... **23-01**
- (52) **U.S. Cl.**  
USPC ..... **D23/213**
- (58) **Field of Classification Search**  
USPC ..... D23/213, 223, 229, 230; 239/282, 283, 239/462  
CPC ..... B05B 1/18; B05B 1/00  
See application file for complete search history.

3,944,140 A	3/1976	Caton et al.
3,963,179 A	6/1976	Tomaro
4,272,022 A	6/1981	Evans
D267,581 S	1/1983	Mackay et al.
4,545,083 A	10/1985	Searson
4,561,593 A	12/1985	Cammack et al.
4,618,100 A	10/1986	White et al.
4,733,818 A	3/1988	Aghnides
4,733,819 A	3/1988	Aghnides
4,964,181 A	10/1990	Alpert
4,998,673 A	3/1991	Pilolla
5,215,258 A	6/1993	Jursich
5,228,625 A	7/1993	Grassberger
5,329,650 A	7/1994	Zaccai et al.
5,405,089 A	4/1995	Heimann et al.
5,518,181 A	5/1996	Shames et al.
5,535,779 A	7/1996	Huang
5,664,015 A	9/1997	Ford et al.
5,702,057 A	12/1997	Huber
5,730,362 A	3/1998	Cordes
5,779,146 A	7/1998	Cutler
5,862,985 A	1/1999	Neibrook et al.
6,021,960 A	2/2000	Kehat
D423,083 S	4/2000	Haug et al.
D424,160 S	5/2000	Haug et al.
D424,161 S	5/2000	Haug et al.
D424,162 S	5/2000	Haug et al.
D424,163 S	5/2000	Haug et al.
D424,164 S	5/2000	Haug et al.
6,061,457 A	5/2000	Stockhamer
D428,110 S	7/2000	Haug et al.
6,090,210 A	7/2000	Ballance et al.
6,126,290 A	10/2000	Veigel
D439,305 S	3/2001	Slothower
D440,277 S	4/2001	Slothower
D440,278 S	4/2001	Slothower
D443,027 S	5/2001	Kollmann et al.
D443,029 S	5/2001	Kollmann et al.
6,263,524 B1	7/2001	Abdul
D457,598 S	5/2002	Storti et al.
6,439,472 B1	8/2002	Lin et al.
6,444,039 B1	9/2002	Nguyen
6,463,658 B1	10/2002	Larsson
D465,263 S	11/2002	Tse
D465,551 S	11/2002	Tse
D466,188 S	11/2002	Tse
D489,793 S	5/2004	Haug et al.
D492,004 S	6/2004	Haug et al.
D492,006 S	6/2004	Haug et al.
D492,008 S	6/2004	Haug et al.
D495,776 S	9/2004	Blomstrom
D497,974 S	11/2004	Haug et al.
D498,514 S	11/2004	Haug et al.

(56) **References Cited**

**U.S. PATENT DOCUMENTS**

- 3,088,675 A 5/1963 Bone
- 3,608,650 A 9/1971 Matsusaka



(56)

References Cited

FOREIGN PATENT DOCUMENTS

U.S. PATENT DOCUMENTS

6,879,818 B2 4/2005 Wageneck  
 D506,924 S 7/2005 Berner  
 D509,424 S 9/2005 Berner  
 D511,809 S 11/2005 Haug et al.  
 D513,525 S 1/2006 Haug et al.  
 6,983,898 B2 1/2006 Clark  
 D518,145 S 3/2006 Nikles  
 7,048,210 B2 5/2006 Clark  
 D527,072 S 8/2006 Wu  
 7,100,845 B1 9/2006 Hsieh  
 7,111,798 B2 9/2006 Thomas et al.  
 7,178,746 B2 2/2007 Gross  
 D551,737 S 9/2007 Haug et al.  
 7,269,862 B2 9/2007 Rooke et al.  
 D557,763 S 12/2007 Schönherr et al.  
 D557,764 S 12/2007 Schönherr et al.  
 D557,765 S 12/2007 Schönherr et al.  
 D562,937 S 2/2008 Schönherr et al.  
 D562,938 S 2/2008 Blessing  
 D564,067 S 3/2008 Lammel et al.  
 D576,251 S 9/2008 Schonherr et al.  
 D590,477 S 4/2009 Schoenherr et al.  
 D590,916 S 4/2009 Schoenherr et al.  
 D590,917 S 4/2009 Schoenherr et al.  
 D592,276 S 5/2009 Schoenherr et al.  
 7,578,453 B1 8/2009 Wilson  
 D610,230 S 2/2010 Wu et al.  
 D610,231 S 2/2010 Wu et al.  
 D610,651 S 2/2010 Wu et al.  
 7,740,186 B2 6/2010 Macan et al.  
 7,762,479 B2 7/2010 Li  
 D630,706 S 1/2011 Giggs et al.  
 7,918,408 B2 4/2011 Tshieh  
 D638,100 S 5/2011 Juan  
 7,946,512 B2 5/2011 Schorn  
 8,028,935 B2 10/2011 Leber  
 8,048,010 B2 11/2011 Ohashi et al.  
 D655,383 S 3/2012 Flowers et al.  
 D659,797 S 5/2012 Farley  
 D667,928 S 9/2012 Cutler et al.  
 D669,157 S 10/2012 Flowers et al.  
 D670,358 S 11/2012 Bai  
 D672,011 S 12/2012 Andrew et al.  
 D672,433 S 12/2012 Yoo et al.  
 D680,619 S 4/2013 Zhadanov  
 D681,776 S 5/2013 Cutler et al.  
 D692,527 S 10/2013 Hanna et al.  
 D694,361 S 11/2013 Schoenherr et al.  
 D707,329 S 6/2014 Hanna et al.  
 D714,421 S 9/2014 Flowers et al.  
 D719,240 S 12/2014 Hanna et al.  
 D737,931 S 9/2015 Schoenherr et al.  
 2003/0029936 A1 2/2003 Clark  
 2004/0164184 A1 8/2004 Glunk  
 2004/0217209 A1 11/2004 Bui  
 2004/0250851 A1 12/2004 Clark  
 2004/0251323 A1 12/2004 Clark  
 2004/0252422 A1 12/2004 Talbot et al.  
 2005/0156062 A1 7/2005 Thomas et al.  
 2006/0175437 A1 8/2006 Gross  
 2007/0246577 A1 10/2007 Leber  
 2008/0011880 A1 1/2008 Butzke et al.  
 2008/0225517 A1 9/2008 Clark  
 2009/0114743 A1 5/2009 Thomas et al.  
 2010/0037389 A1 2/2010 Gross  
 2010/0065665 A1 3/2010 Whitaker et al.  
 2010/0167551 A1 7/2010 DeDontney  
 2011/0031331 A1 2/2011 Klicpera  
 2011/0073678 A1 3/2011 Qiu et al.  
 2011/0139905 A1 6/2011 Chen et al.  
 2012/0104114 A1 5/2012 Zhou et al.  
 2013/0126646 A1 5/2013 Wu  
 2013/0232684 A1 9/2013 Schumacher et al.

CN	1761528	4/2006
CN	202045027	11/2011
CN	203408809	1/2014
DE	10108248	8/2002
EP	0348359	12/1989
EP	0435030	7/1991
EP	1479445	1/2004
EP	2638972	9/2013
GB	2337471	11/1999
WO	9718041	5/1997

OTHER PUBLICATIONS

Shower head photos, known at least as early as Mar. 12, 2012.  
 EP 13158845.1 Extended European Search Report dated May 24, 2013 (7 pages).  
 Co-pending U.S. Appl. No. 29/450,323, filed Mar. 16, 2013.  
 Co-pending U.S. Appl. No. 29/450,310, filed Mar. 15, 2013.  
 Co-pending U.S. Appl. No. 29/450,306, filed Mar. 15, 2013.  
 Co-pending U.S. Appl. No. 29/457,990, filed Jun. 14, 2013.  
 United States Patent Office Notice of Allowance for U.S. Appl. No. 29/415,587 dated Jun. 7, 2013 (7 pages).  
 United States Patent Office Supplemental Notice of Allowance for U.S. Appl. No. 29/457,990 dated Sep. 24, 2013 (7 pages).  
 Co-pending U.S. Appl. No. 13/790,621, filed Mar. 8, 2013.  
 Co-pending U.S. Appl. No. 29/467,020, filed Sep. 13, 2013.  
 United States Patent Office Notice of Allowance for U.S. Appl. No. 29/470,413 dated Jan. 31, 2014 (16 pages).  
 European Patent Office Search Report for Application No. 13193218.8 dated Apr. 17, 2014 (7 pages).  
 United States Patent Office Notice of Allowance for U.S. Appl. No. 29/450,323 dated Jun. 26, 2014 (8 pages).  
 United States Patent Office Notice of Allowance for U.S. Appl. No. 29/450,310 dated Jun. 25, 2014 (8 pages).  
 United States Patent Office Notice of Allowance for U.S. Appl. No. 29/450,306 dated Jun. 26, 2014 (8 pages).  
 United States Patent Office Notice of Allowance for U.S. Appl. No. 29/465,138 dated Aug. 5, 2014 (8 pages).  
 VS-3014 Caspian Showerhead, downloaded Jun. 27, 2014 <http://www.speakmancompany.com/products/detail/VS-3014> (1 page).  
 Grohe Power & Soul, 2013 (5 pages).  
 Australian Patent Office Examination Report for Application No. 2013201441 dated Sep. 17, 2014 (5 pages).  
 Extended European Search Report for Application No. 13193218.8 dated Aug. 27, 2014 (14 pages).  
 Co-pending U.S. Appl. No. 29/465,138, filed Aug. 23, 2013.  
 Co-pending U.S. Appl. No. 14/080,432, filed Nov. 14, 2013.  
 Examination Report from the Canadian Intellectual Property Office for Application No. 2,808,941 dated Mar. 11, 2015 (5 pages).  
 Office Action from the United States Patent and Trademark Office for U.S. Appl. No. 14/080,432 dated Apr. 30, 2015 (40 pages).  
 1st Office Action from The State Intellectual Property Office of the People's Republic of China for Application No. 201310077786.2 dated Jun. 3, 2015 (7 pages).  
 Office Action from the United States Patent and Trademark Office for U.S. Appl. No. 13/790,621 dated Jul. 2, 2015 (43 pages).  
 Final Office Action from the United States Patent and Trademark Office for U.S. Appl. No. 13/790,621 dated Jan. 20, 2016 (13 pages).  
 Second Office Action from the State Intellectual Property Office of the People's Republic of China for Application No. 201310077786.2 dated Jan. 21, 2016 (10 pages).  
 Office Action from the United States Patent and Trademark Office for U.S. Appl. No. 14/080,432 dated Jun. 10, 2016 (10 pages).  
 Notice of Allowance from the United States Patent and Trademark Office for U.S. Appl. No. 29/567,006 dated Oct. 4, 2016 (6 pages).  
 Notice of Allowance from the United States Patent and Trademark Office for U.S. Appl. No. 29/566,805 dated Oct. 13, 2016 (8 pages).  
 Notice of Allowance from the United States Patent and Trademark Office for U.S. Appl. No. 29/567,003 dated Oct. 13, 2016 (8 pages).  
 Notice of Allowance from the United States Patent and Trademark Office for U.S. Appl. No. 29/567,018 dated Oct. 11, 2016 (8 pages).

(56)

**References Cited**

OTHER PUBLICATIONS

*Primary Examiner* — Robin V Webster

(74) *Attorney, Agent, or Firm* — Michael Best & Friedrich LLP

(57)

**CLAIM**

We claim the ornamental design for a shower faceplate, as shown and described.

**DESCRIPTION**

FIG. 1 is a front perspective view of a faceplate for a shower device, such as a showerhead or a hand shower.

FIG. 2 is a rear perspective view of the faceplate shown in FIG. 1.

FIG. 3 is a front view of the faceplate shown in FIG. 1.

FIG. 4 is a rear view of the faceplate shown in FIG. 1.

FIG. 5 is a left side view of the faceplate shown in FIG. 1.

FIG. 6 is a right side view of the faceplate shown in FIG. 1.

FIG. 7 is a top view of the faceplate shown in FIG. 1.

FIG. 8 is a bottom view of the faceplate shown in FIG. 1.

FIG. 9 is a rear perspective cross-sectional view of the faceplate shown in FIG. 1 to illustrate contours of the faceplate.

FIG. 10 is a front perspective view of a faceplate for a shower device, such as a showerhead or a hand shower.

FIG. 11 is a rear perspective view of the faceplate shown in FIG. 10.

FIG. 12 is a front view of the faceplate shown in FIG. 10.

FIG. 13 is a rear view of the faceplate shown in FIG. 10.

FIG. 14 is a right side view of the faceplate shown in FIG. 10, the left side view being substantially a mirror image thereof.

FIG. 15 is a top view of the faceplate shown in FIG. 10.

FIG. 16 is a bottom view of the faceplate shown in FIG. 10; and,

FIG. 17 is a rear perspective cross-sectional view of the faceplate shown in FIG. 10 to illustrate contours of the faceplate.

One or more side and/or bottom views of a shower device are mirror images of another view and, therefore, have been omitted.

Any broken line showing of the environment is for illustrative purposes only and forms no part of the claimed design.

**1 Claim, 16 Drawing Sheets**

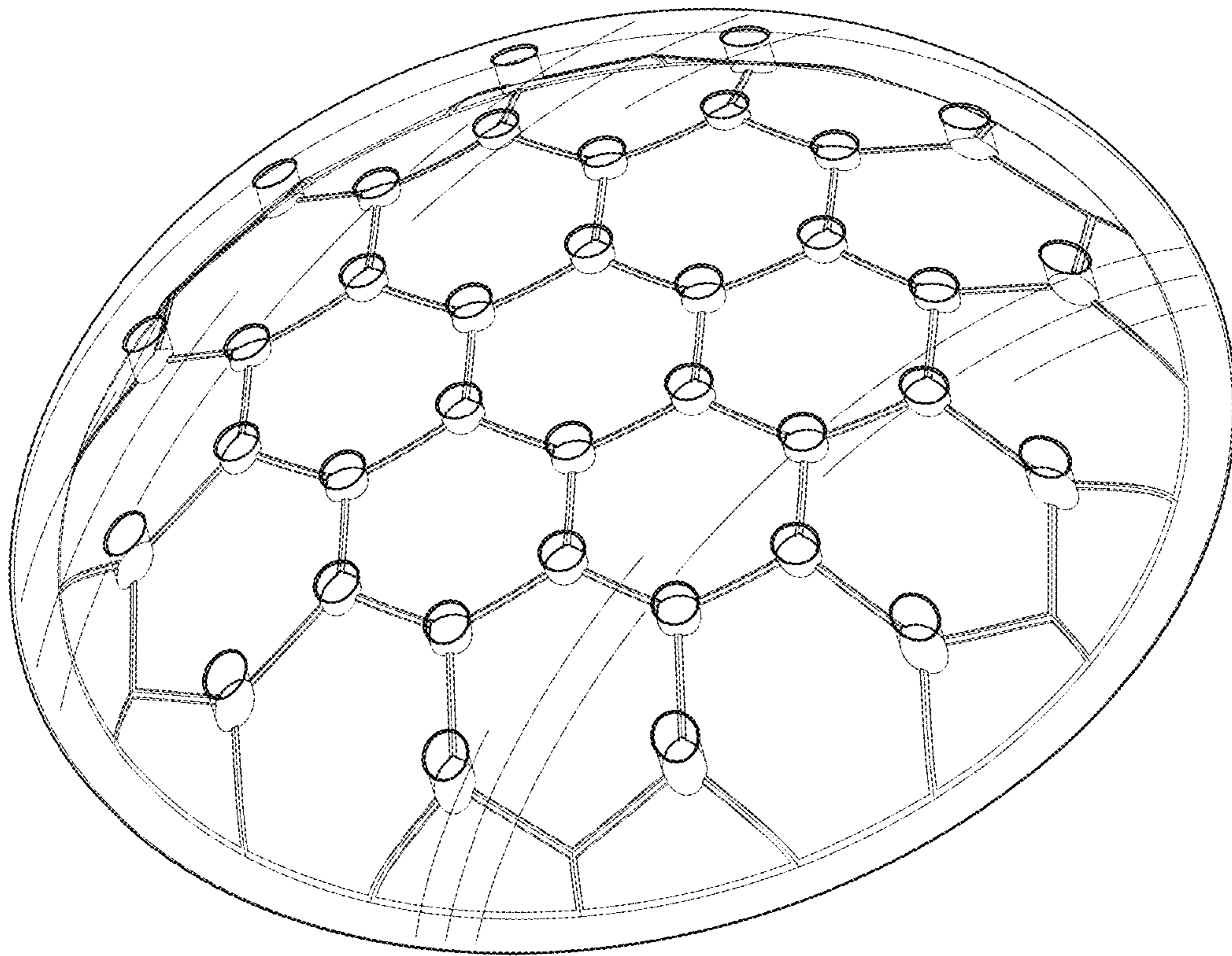


FIG. 1

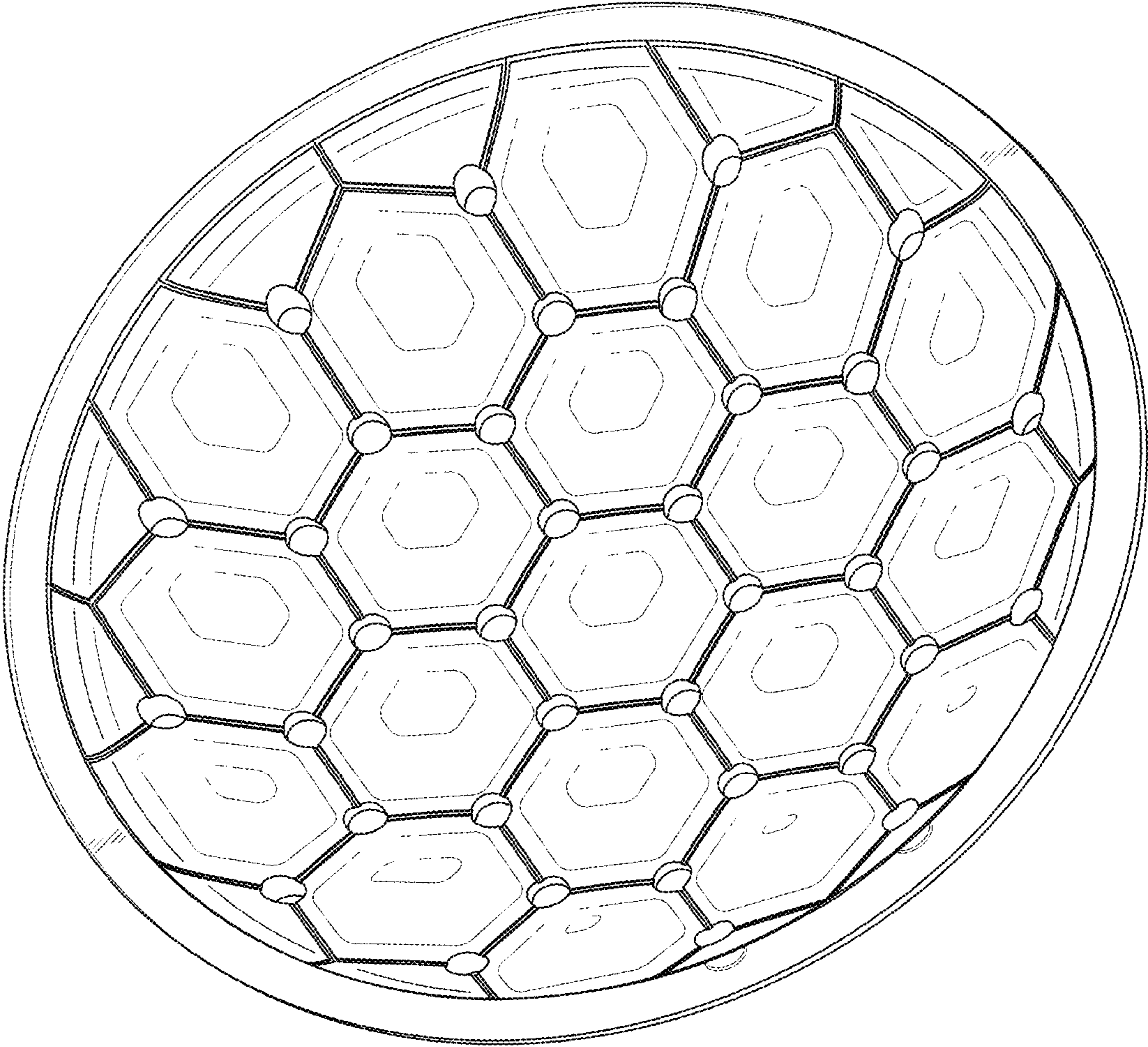


FIG. 2

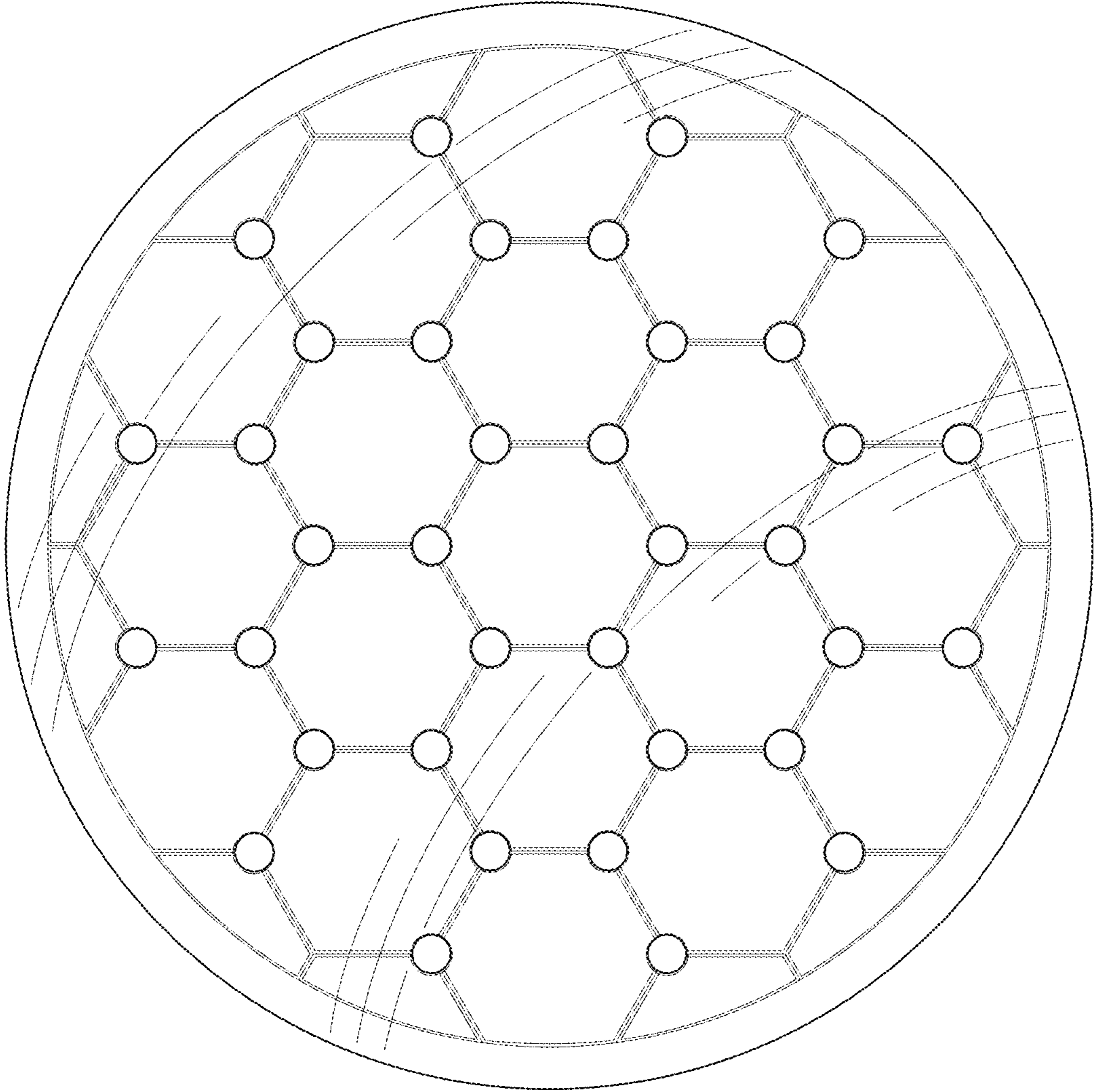


FIG. 3

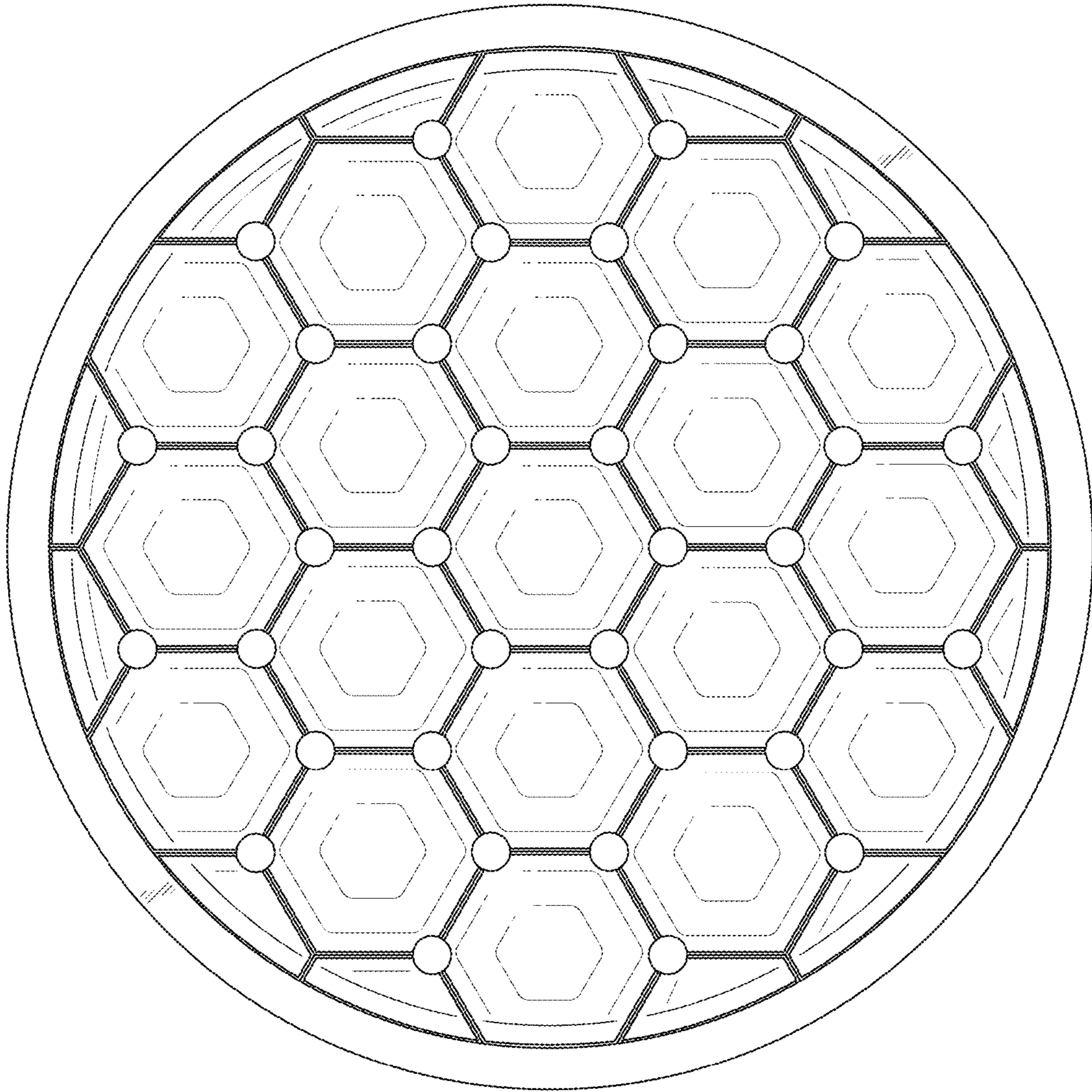


FIG. 4

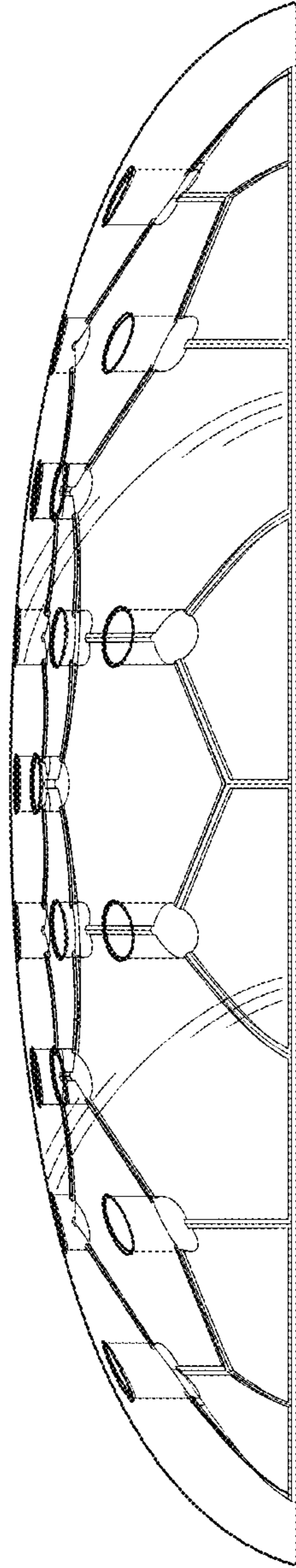


FIG. 5



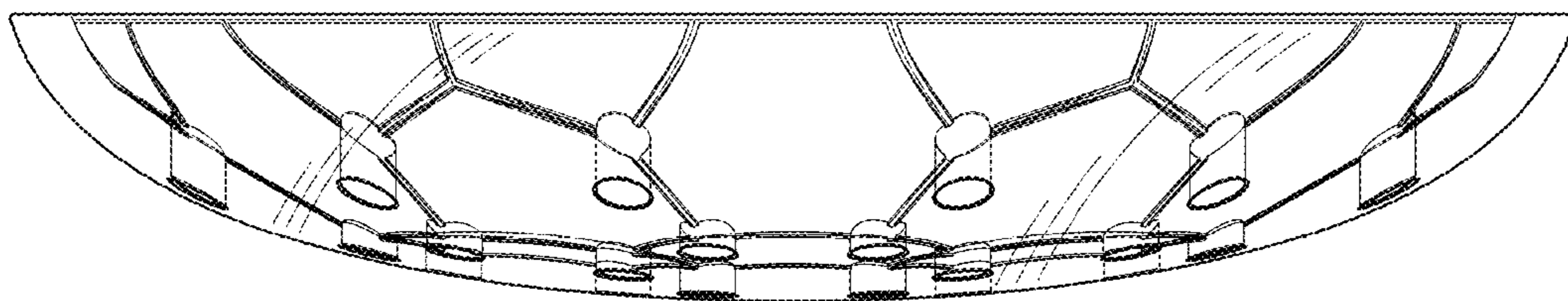


FIG. 6

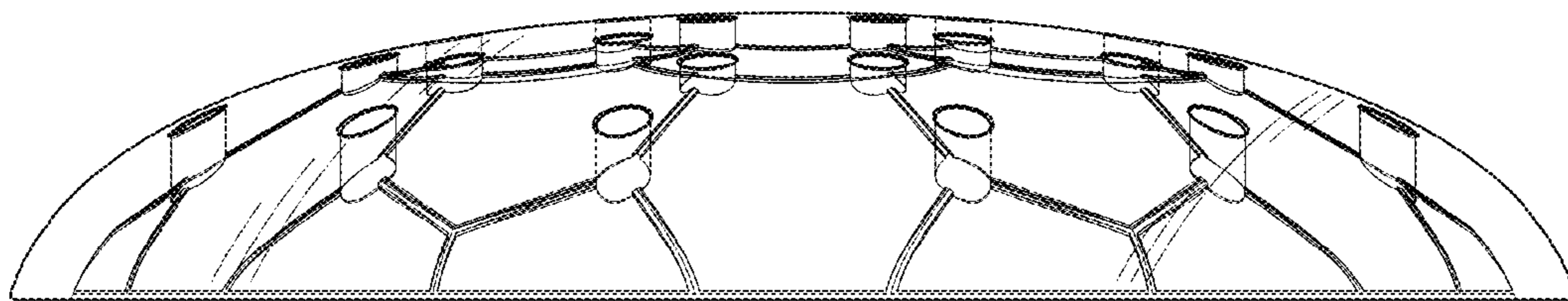


FIG. 7

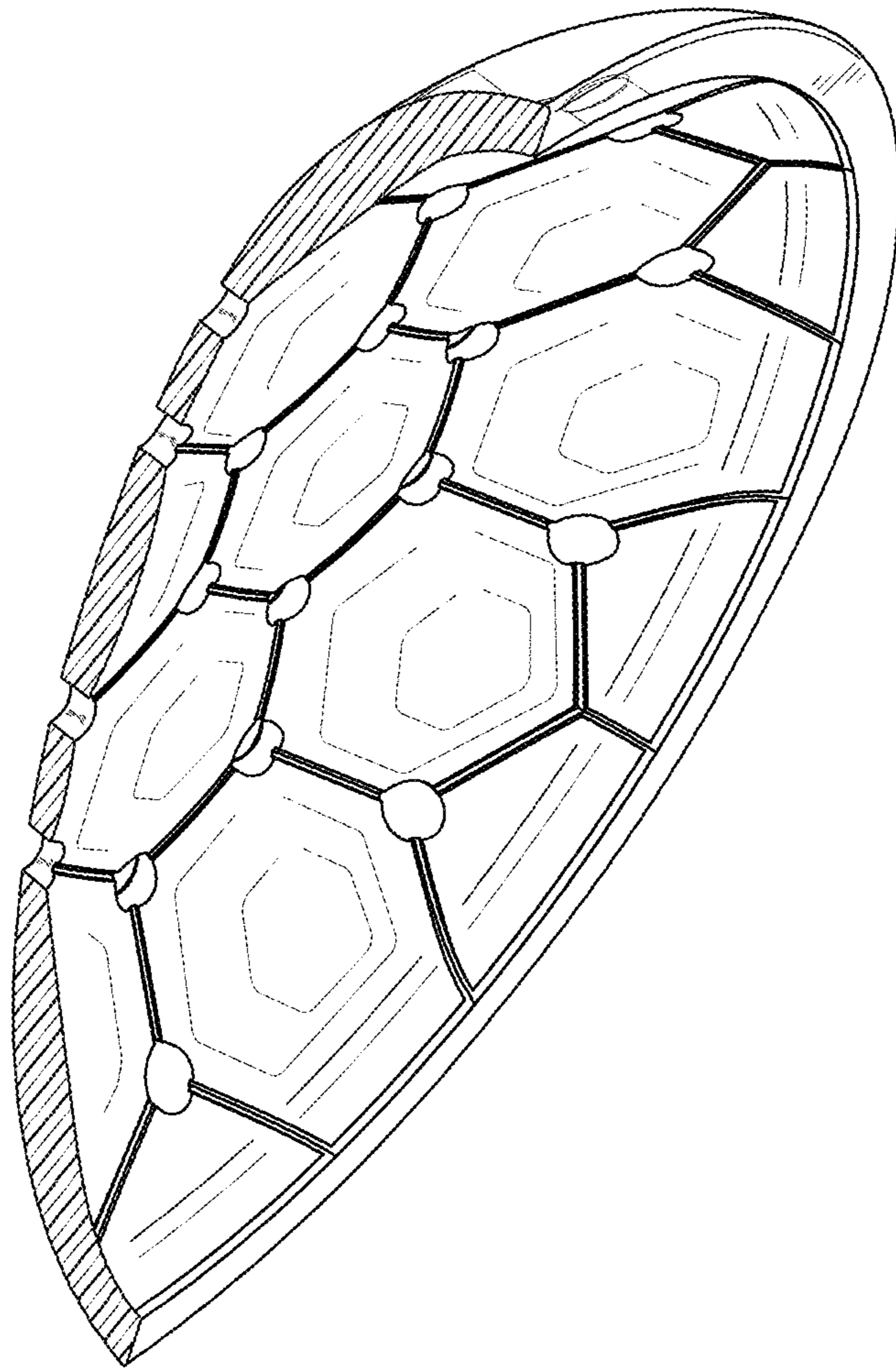


FIG. 8

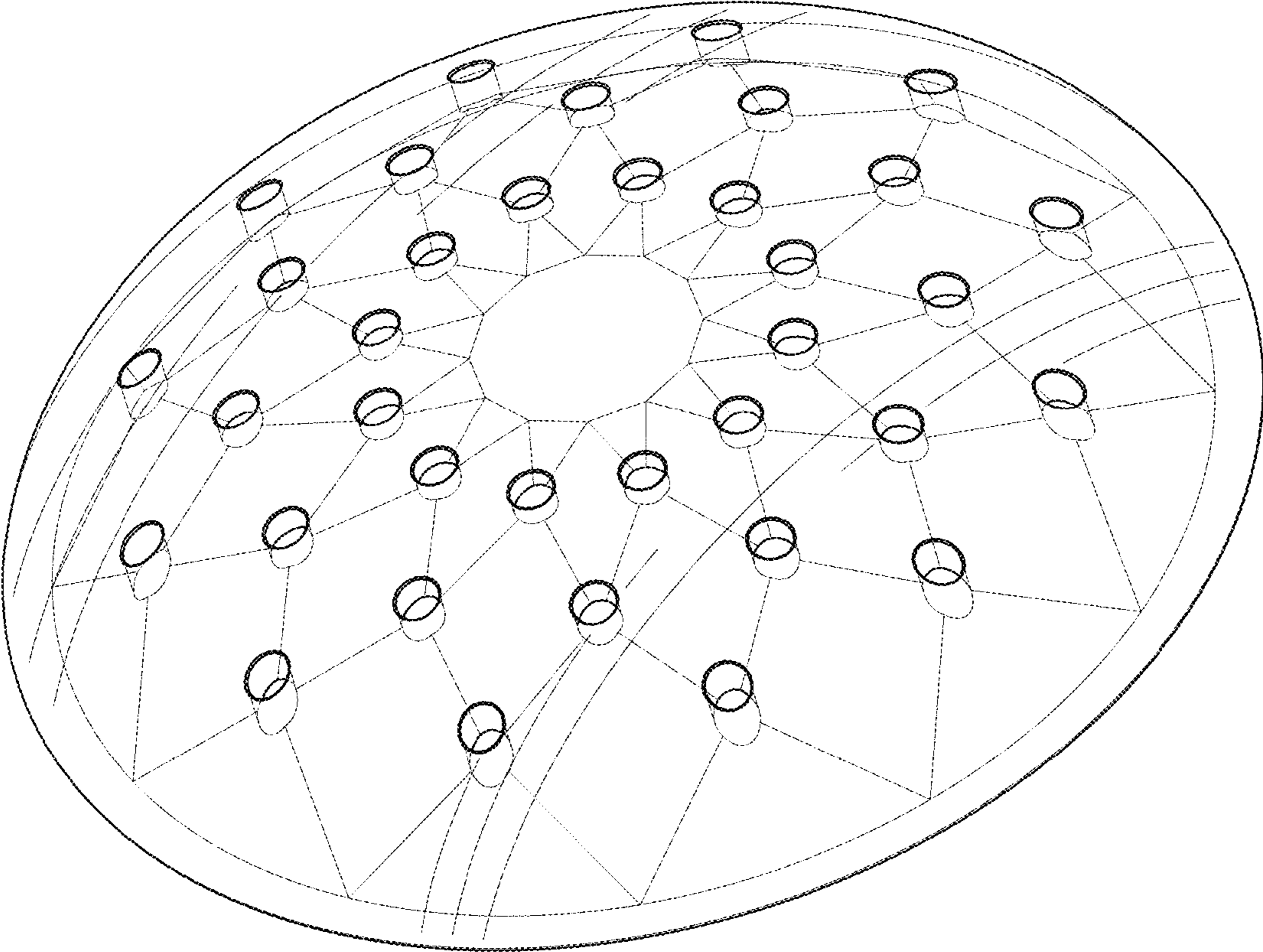


FIG. 9

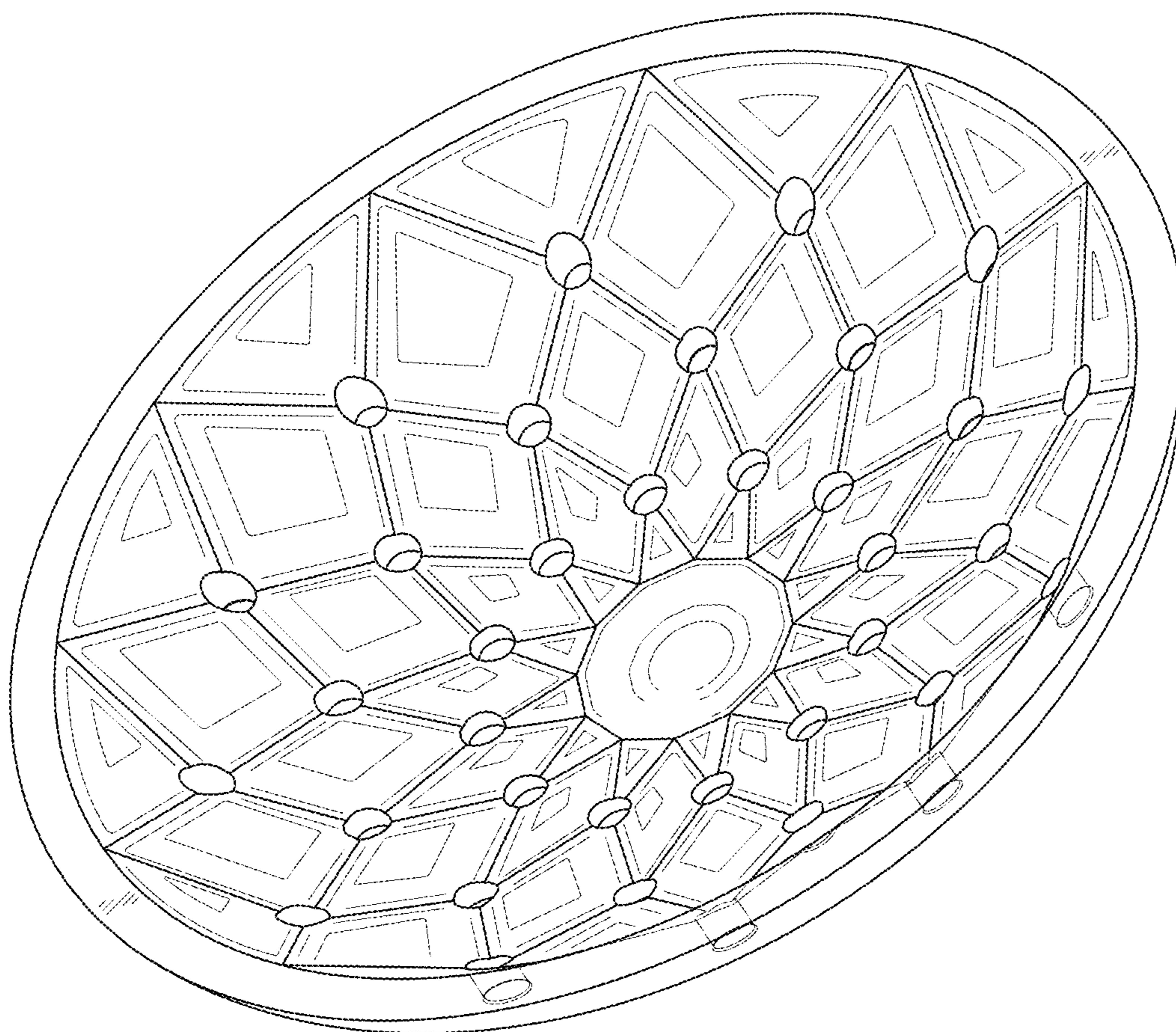


FIG. 10

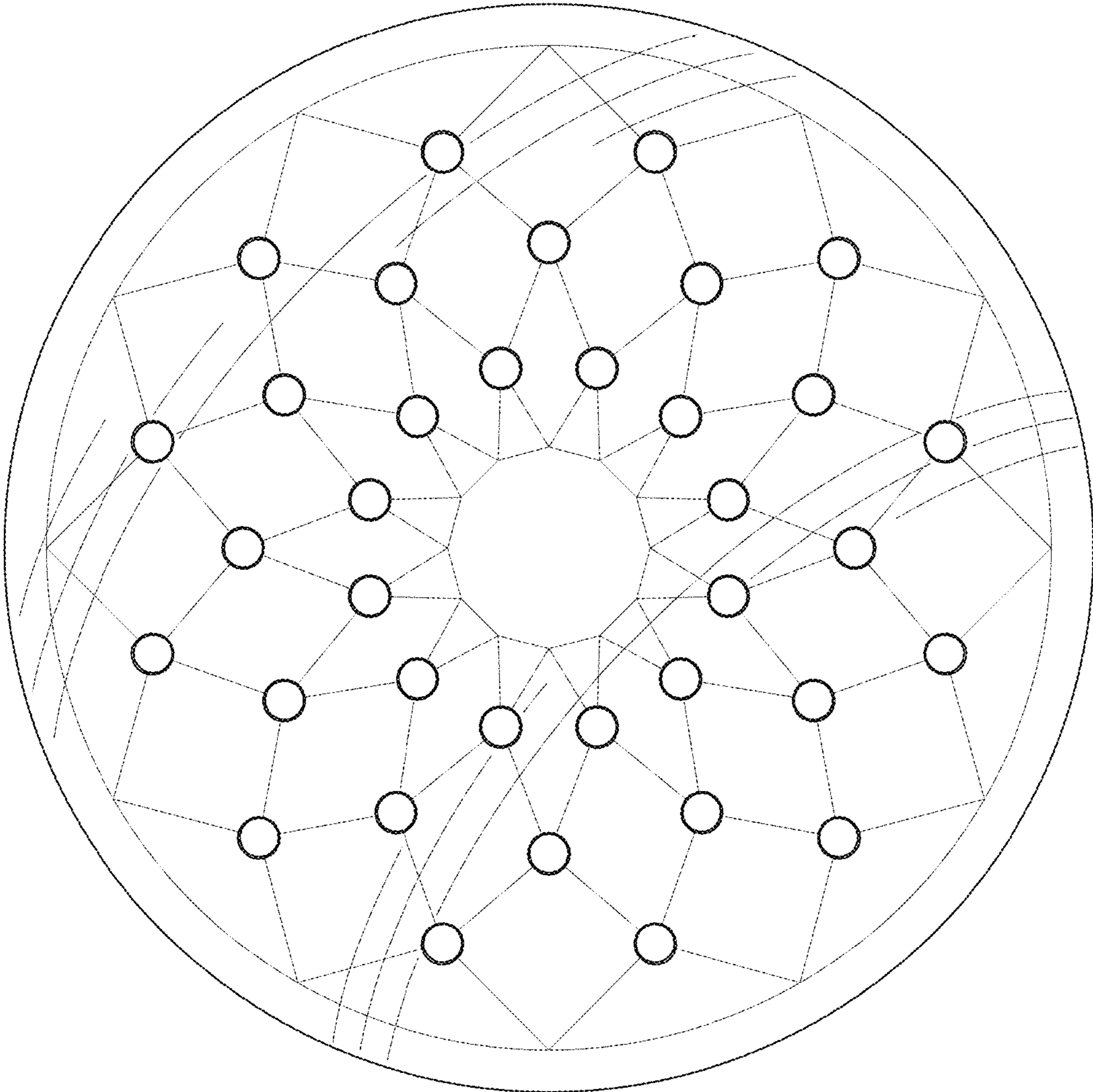


FIG. 11

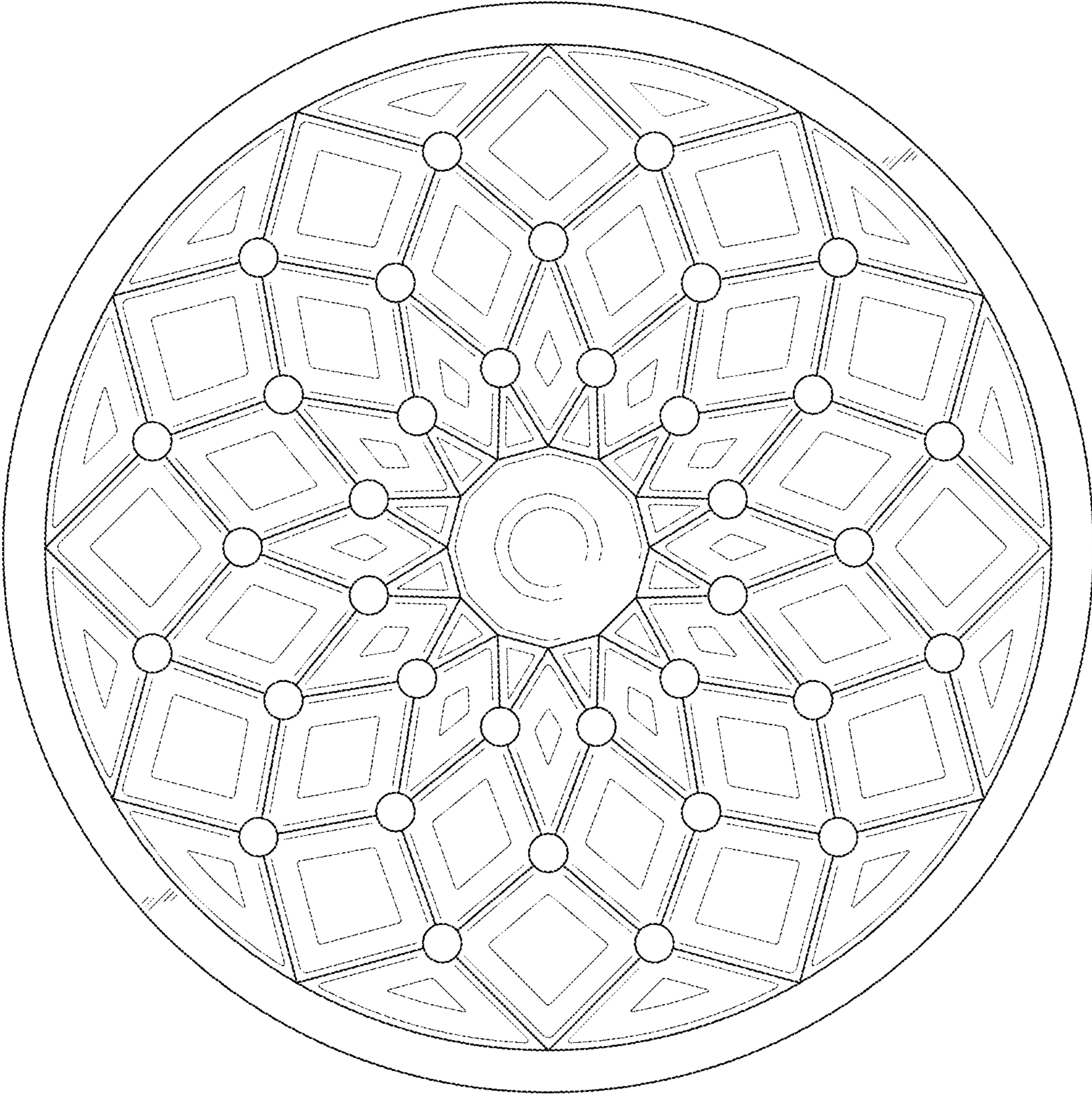


FIG. 12

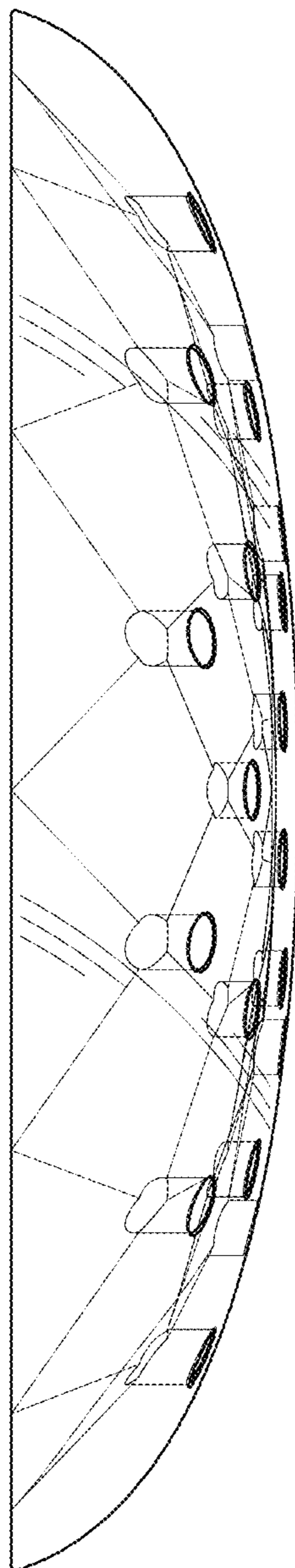


FIG. 13

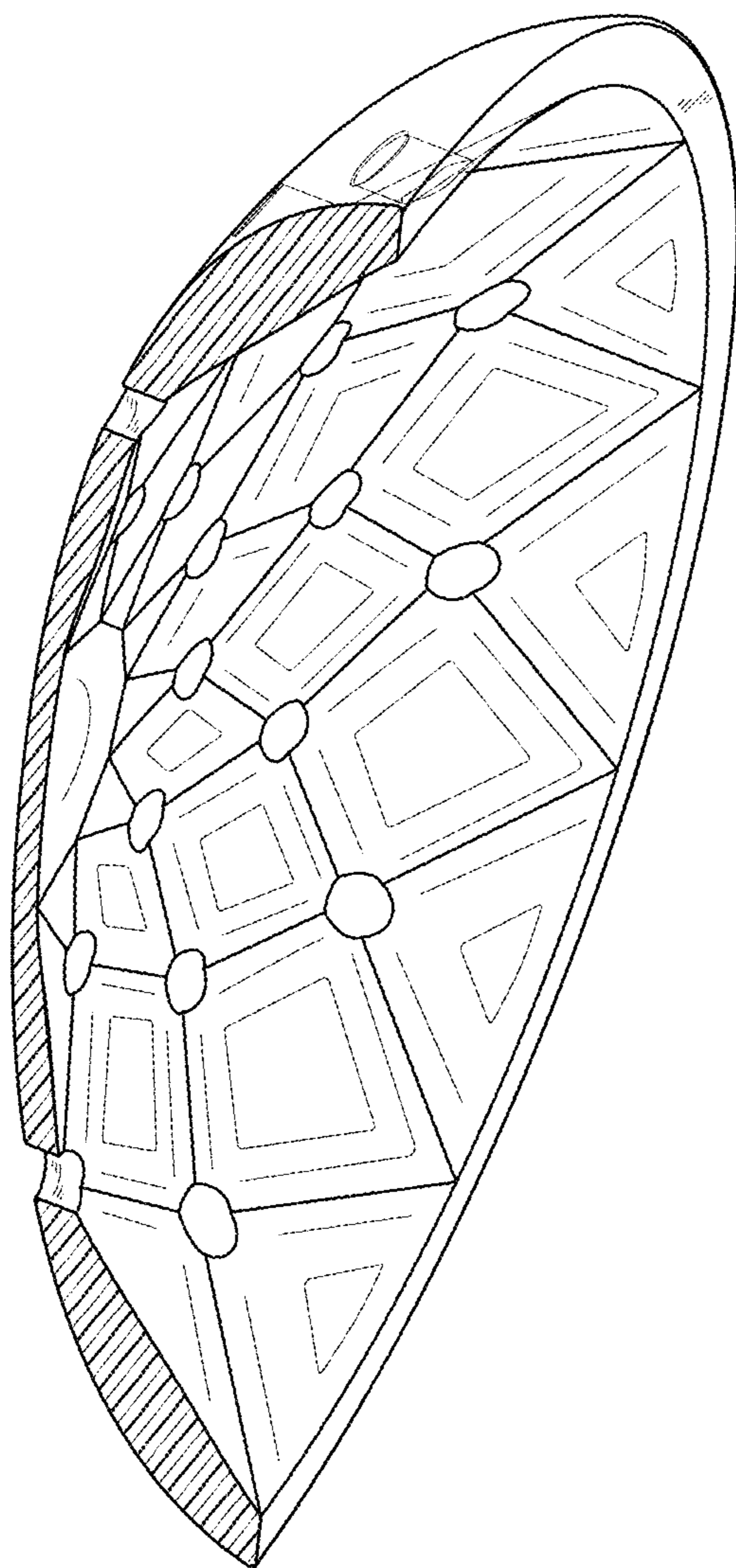


FIG. 14



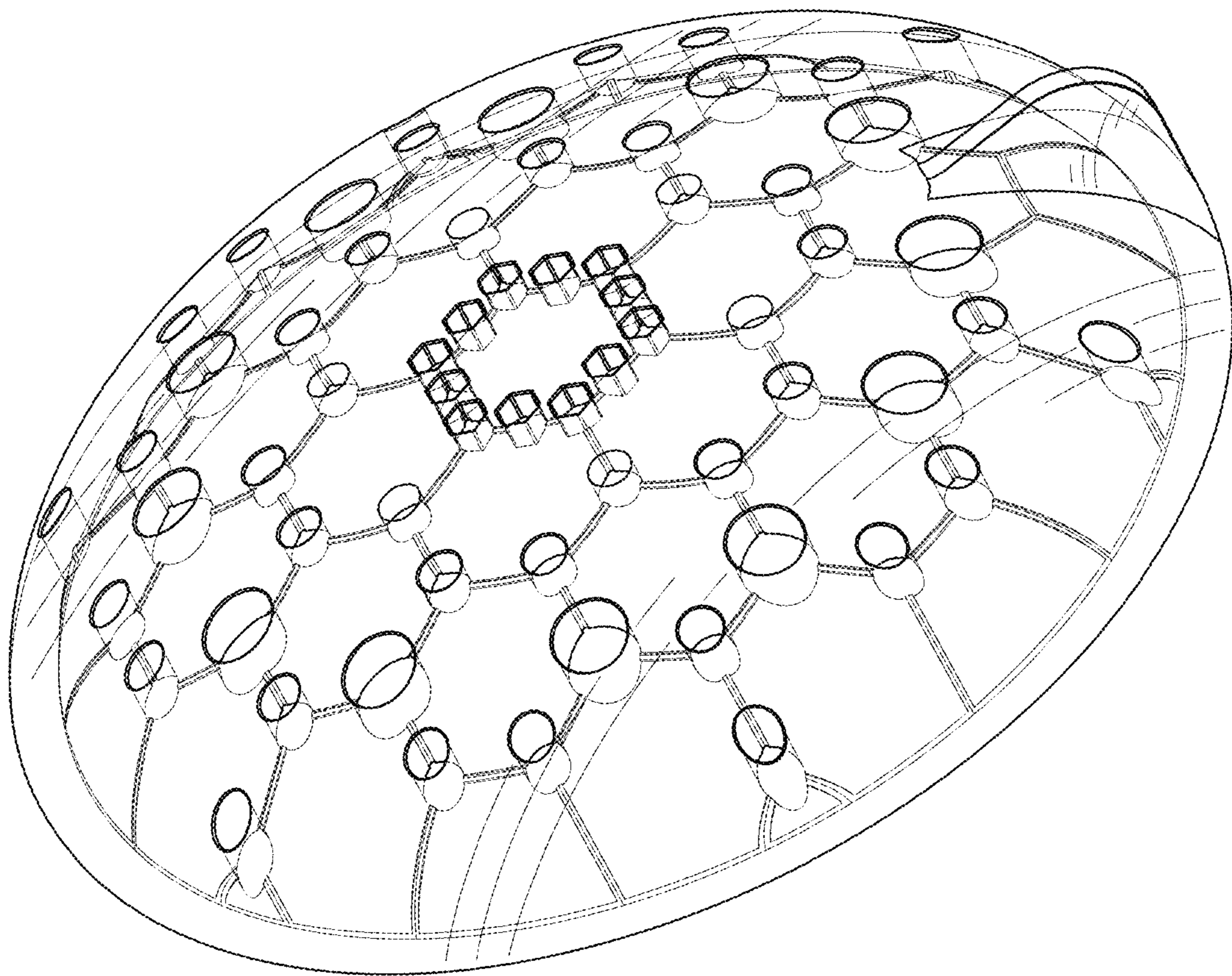


FIG. 15

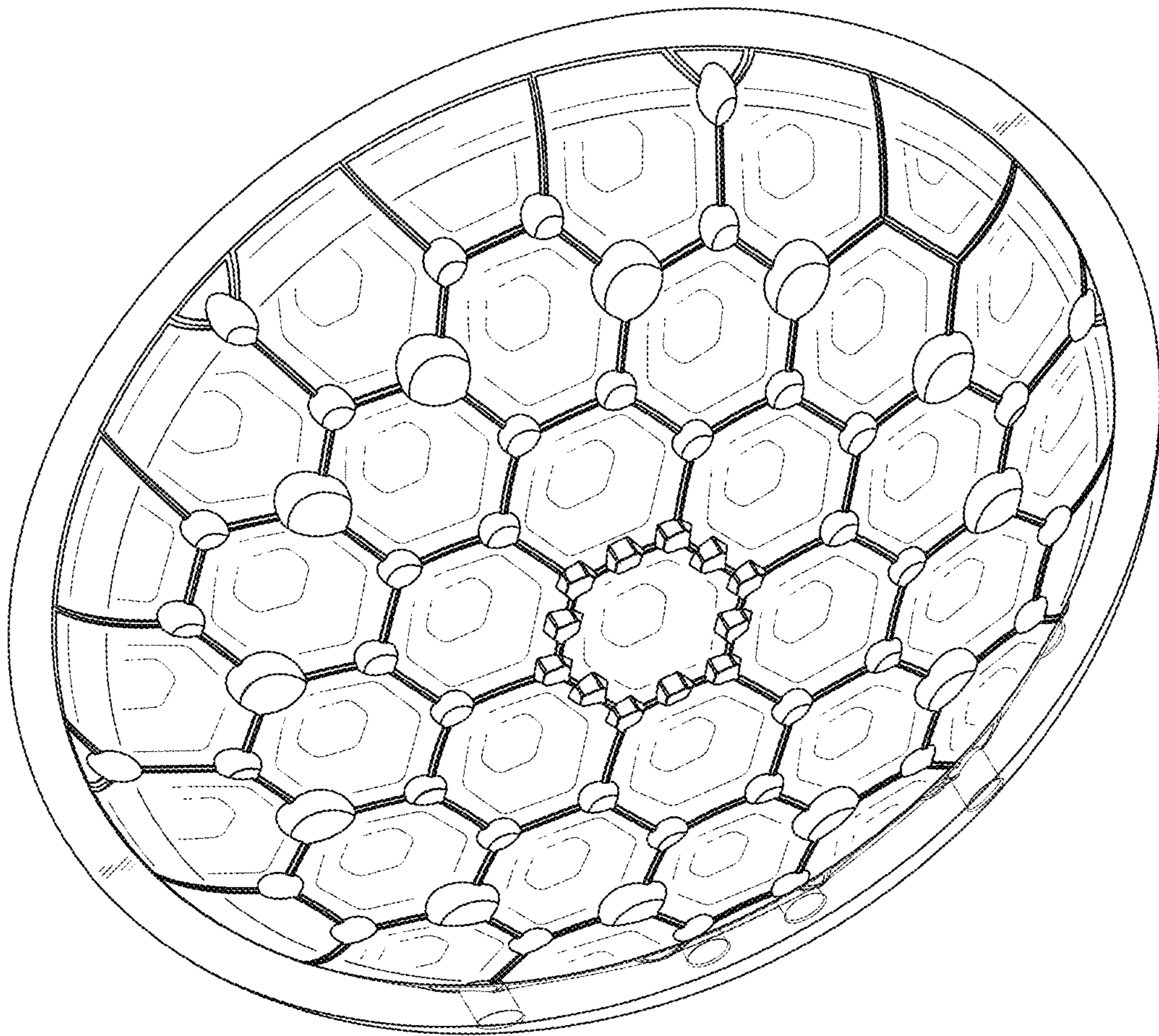


FIG. 16

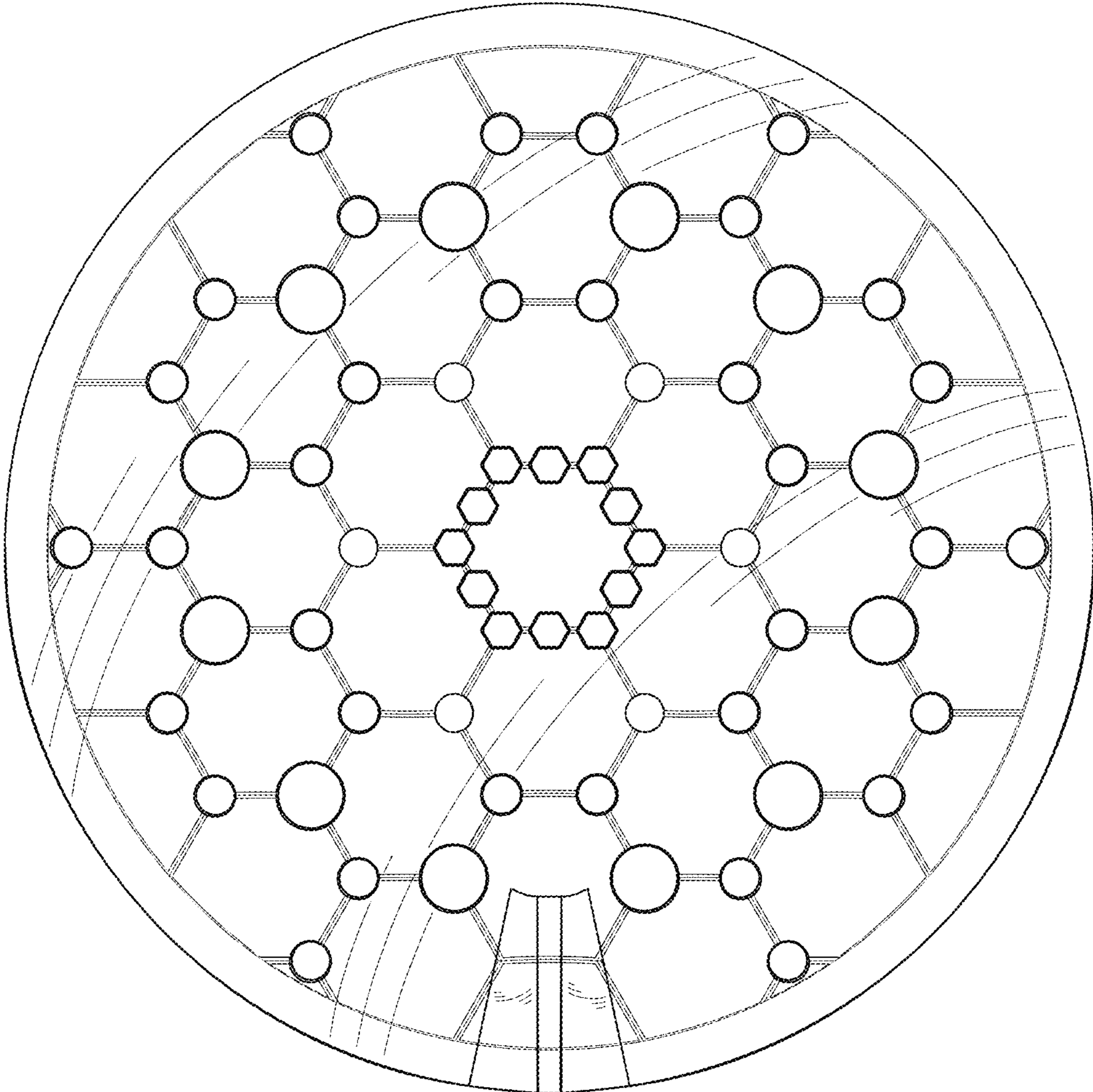


FIG. 17