



US00D776787S

(12) **United States Design Patent**
Zhang

(10) **Patent No.:** **US D776,787 S**
(45) **Date of Patent:** **** Jan. 17, 2017**

(54) **AIR-GUN SPRING CHANGE ACCESSORY**

5,832,974 A * 11/1998 Jou B08B 5/02
141/38
D549,802 S * 8/2007 Guenther D23/213
D673,648 S * 1/2013 Masson D10/83

(71) Applicant: **Dahe Zhang**, Shantou (CN)

(72) Inventor: **Dahe Zhang**, Shantou (CN)

(**) Term: **15 Years**

(21) Appl. No.: **29/542,243**

(22) Filed: **Oct. 13, 2015**

(30) **Foreign Application Priority Data**

Jul. 21, 2015 (CN) 2015 3 0264118

(51) **LOC (10) Cl.** **23-01**

(52) **U.S. Cl.**
USPC **D23/213**

(58) **Field of Classification Search**
USPC .. D23/213, 226; 239/291, DIG. 21, DIG. 22
CPC B05B 1/005
See application file for complete search history.

(56) **References Cited**

U.S. PATENT DOCUMENTS

2,320,964 A * 6/1943 Yates B05B 1/005
15/405
3,318,534 A * 5/1967 Stolteben B05B 1/005
239/291

* cited by examiner

Primary Examiner — Robin V Webster

(74) *Attorney, Agent, or Firm* — Dickinson Wright PLLC

(57) **CLAIM**

The ornamental design for air-gun spring change accessory, as shown and described herein.

DESCRIPTION

FIG. 1 is a perspective view of the air-gun spring change accessory of the present invention.

FIG. 2 is a front view of the air-gun spring change accessory of the present invention.

FIG. 3 is a back view of the air-gun spring change accessory of the present invention.

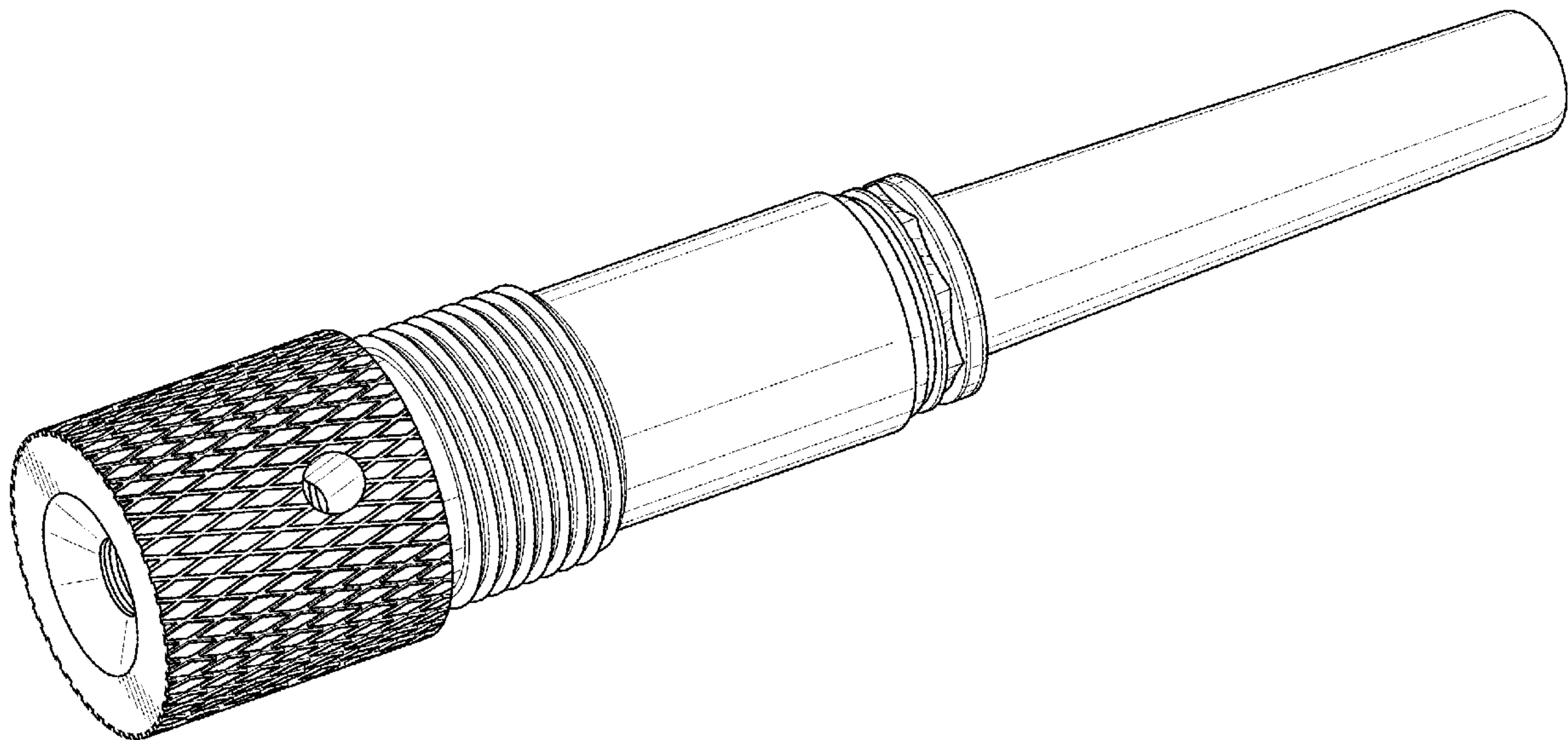
FIG. 4 is a left side view of the air-gun spring change accessory of the present invention.

FIG. 5 is a right side view of the air-gun spring change accessory of the present invention.

FIG. 6 is a top view of the air-gun spring change accessory of the present invention; and,

FIG. 7 is a bottom view of the air-gun spring change accessory of the present invention.

1 Claim, 6 Drawing Sheets



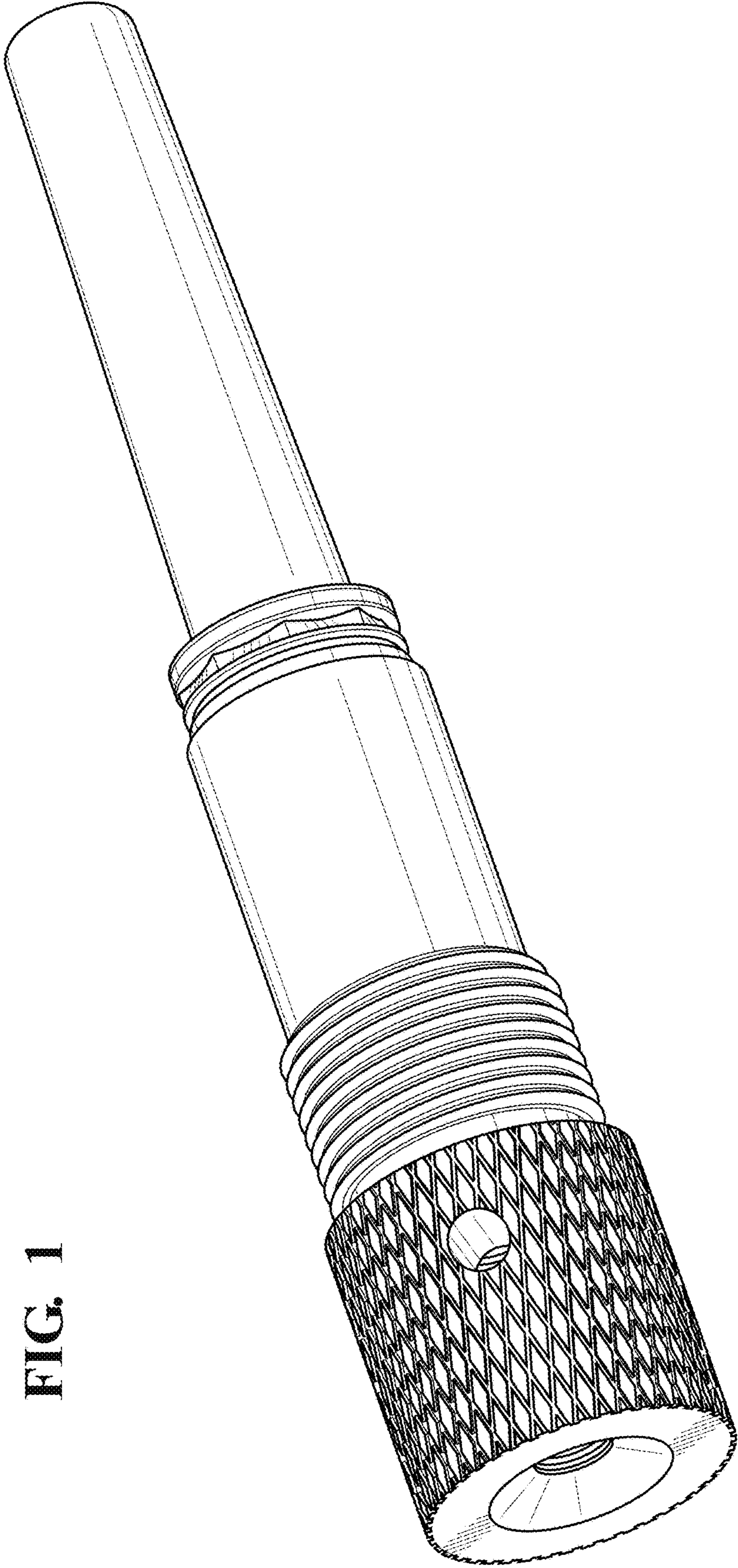


FIG. 1

FIG. 2

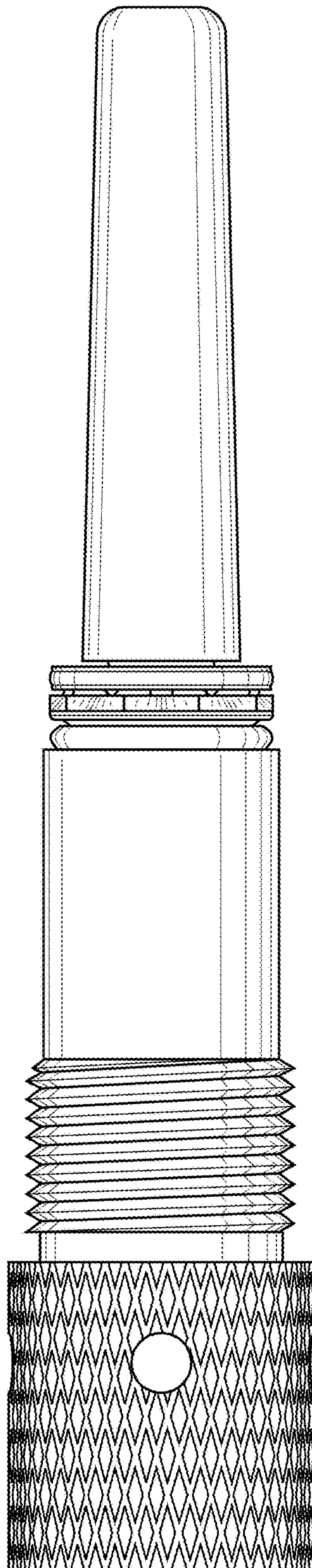


FIG. 3

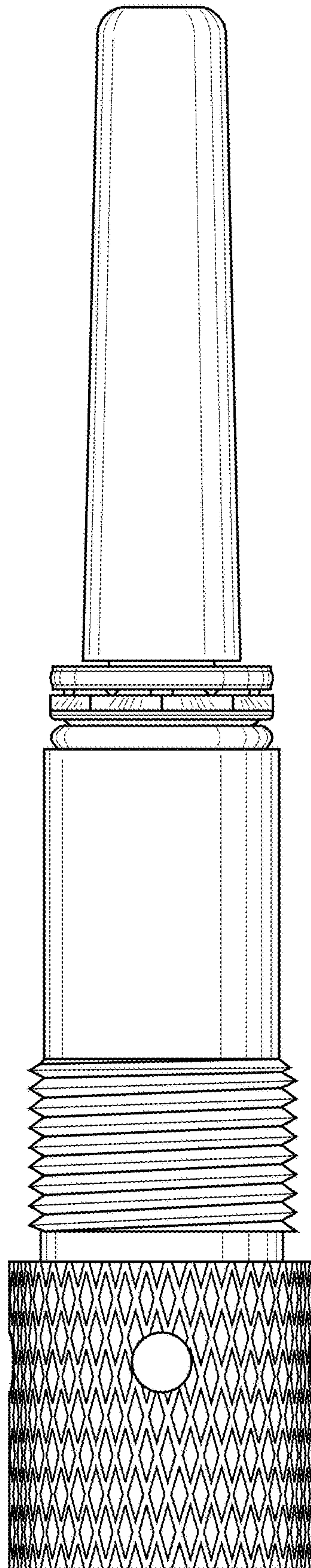


FIG. 4

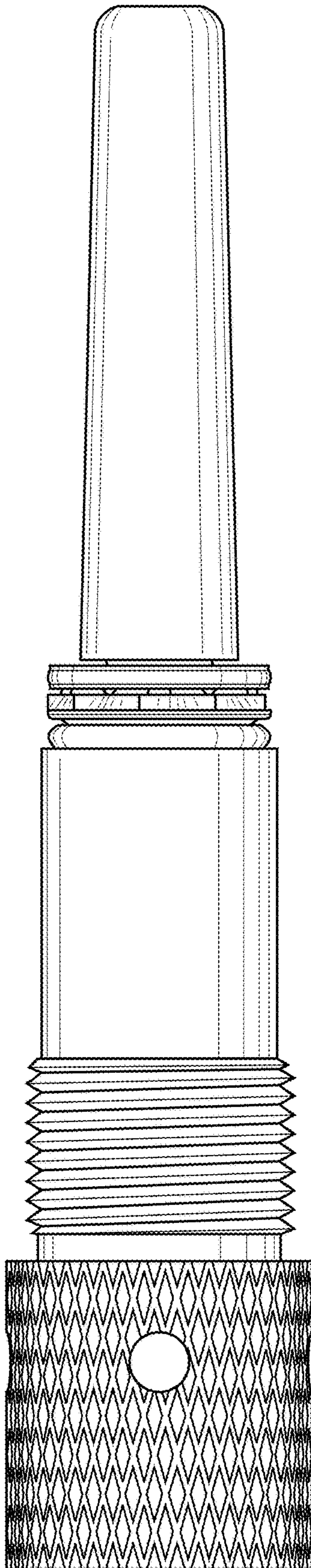
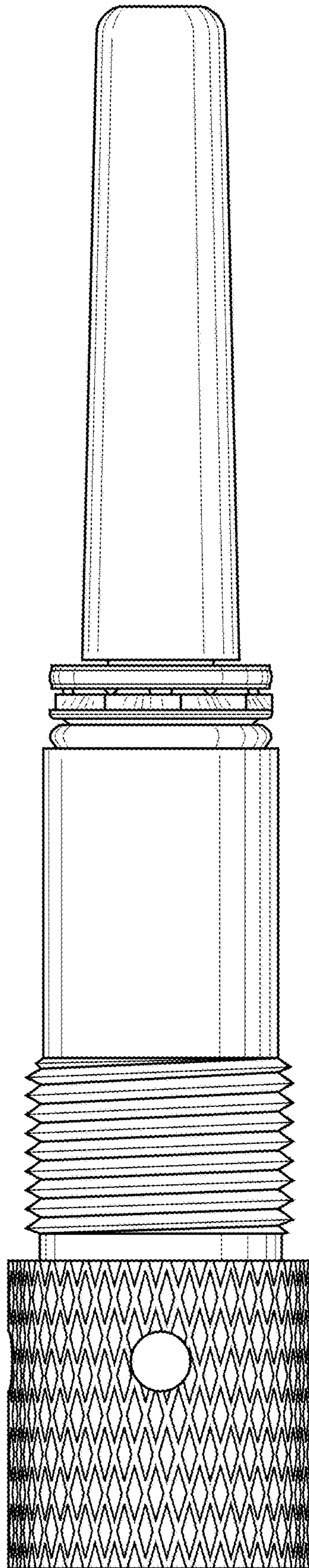


FIG. 5



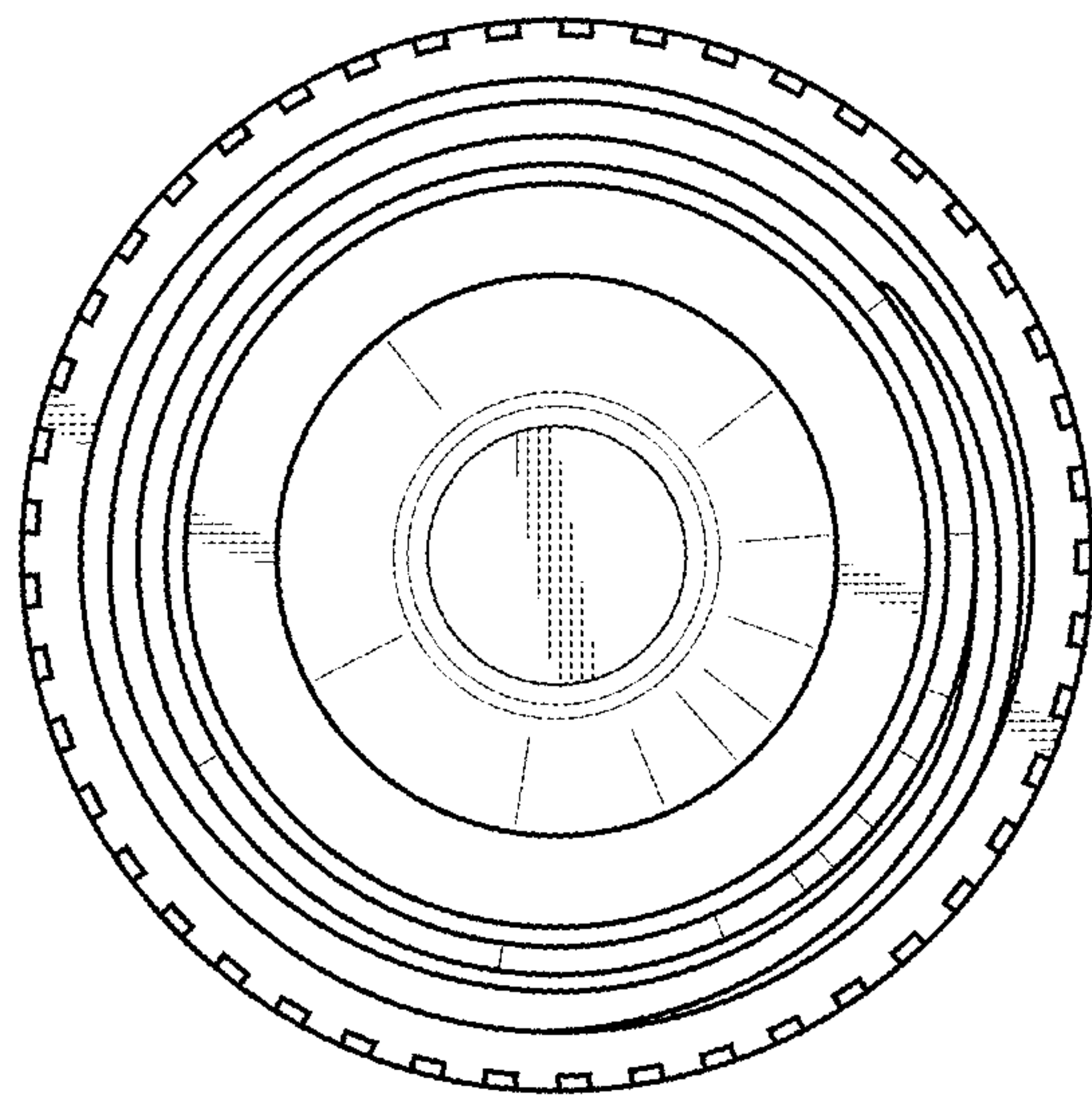


FIG. 6

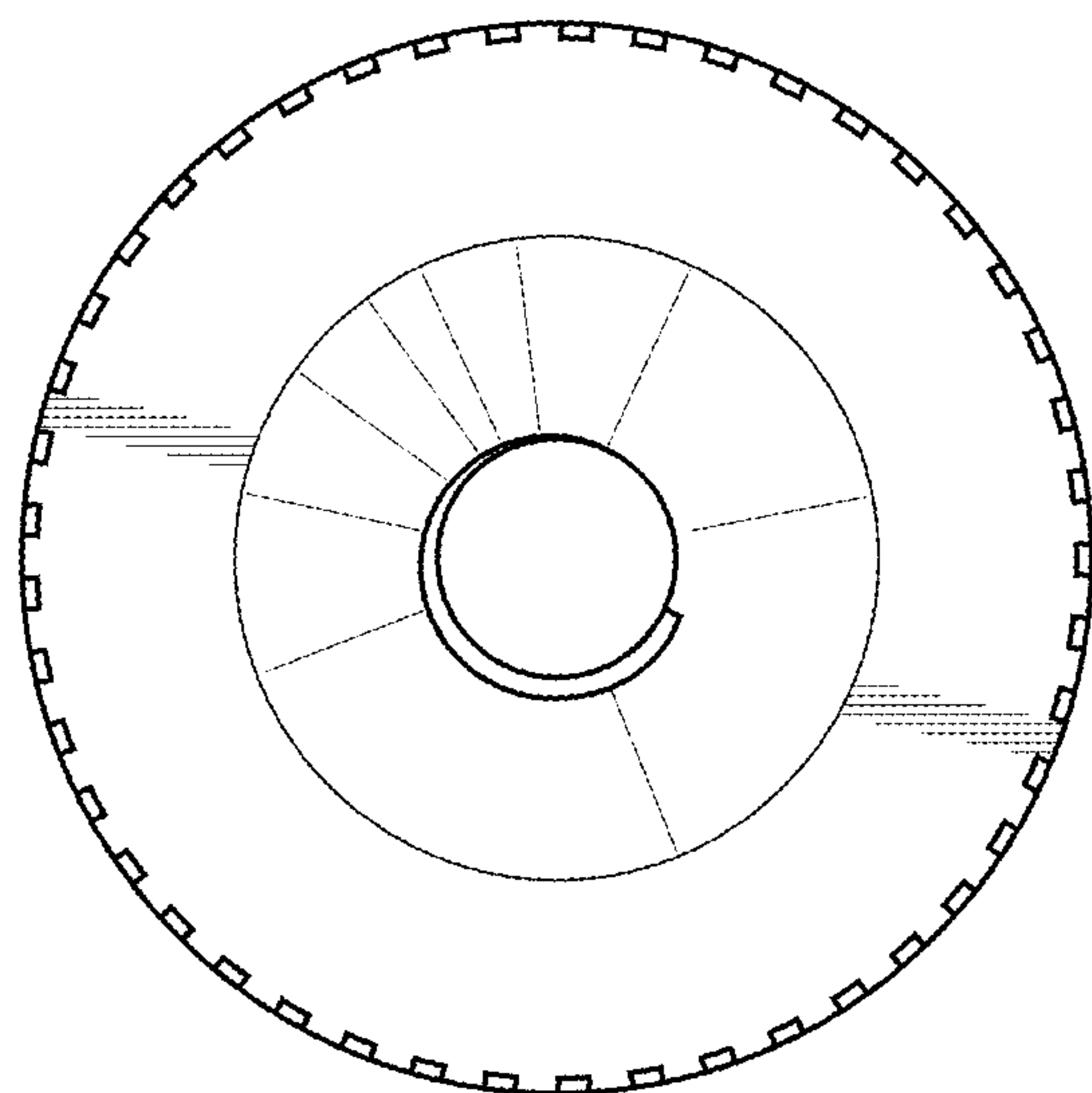


FIG. 7