



US00D776786S

(12) **United States Design Patent**  
**Okazaki et al.**

(10) **Patent No.:** **US D776,786 S**  
(45) **Date of Patent:** **\*\* Jan. 17, 2017**

(54) **DEGASSING/AERATION MEMBRANE  
MODULE**

D705,390 S \* 5/2014 Okazaki ..... D23/207  
D705,391 S \* 5/2014 Okazaki ..... D23/207  
8,876,945 B2 \* 11/2014 Taylor ..... B01D 19/0031  
95/46

(71) Applicant: **Mitsubishi Rayon Co., Ltd.**,  
Chiyoda-ku (JP)

\* cited by examiner

(72) Inventors: **Hiroyuki Okazaki**, Toyohashi (JP);  
**Yoshie Tanizaki**, Toyohashi (JP)

*Primary Examiner* — Robin V Webster

(73) Assignee: **Mitsubishi Rayon Co., Ltd.**,  
Chiyoda-ku (JP)

(74) *Attorney, Agent, or Firm* — Oblon, McClelland,  
Maier & Neustadt, L.L.P.

(\*\*) Term: **15 Years**

(21) Appl. No.: **29/537,003**

(57) **CLAIM**

(22) Filed: **Aug. 21, 2015**

The ornamental design for a degassing/aeration membrane  
module, as shown and described.

(30) **Foreign Application Priority Data**

Feb. 24, 2015 (JP) ..... 2015-003797

(51) **LOC (10) Cl.** ..... **23-01**

(52) **U.S. Cl.**  
USPC ..... **D23/209**

(58) **Field of Classification Search**  
USPC ... D23/207, 209; 96/4, 6; 95/46; 210/497.01  
CPC ..... B01D 19/0031  
See application file for complete search history.

**DESCRIPTION**

FIG. 1 is a front, top, and left side perspective view of a  
degassing/aeration membrane module;  
FIG. 2 is a front elevational view thereof;  
FIG. 3 is a rear elevational view thereof;  
FIG. 4 is a top plan view thereof;  
FIG. 5 is a bottom plan view thereof;  
FIG. 6 is a left side elevational view thereof; and,  
FIG. 7 is a right side elevational view thereof.

(56) **References Cited**

**U.S. PATENT DOCUMENTS**

5,254,143 A \* 10/1993 Anazawa ..... B01D 19/0031  
95/46  
8,449,659 B2 \* 5/2013 Taylor ..... B01D 19/0031  
95/46

**1 Claim, 7 Drawing Sheets**

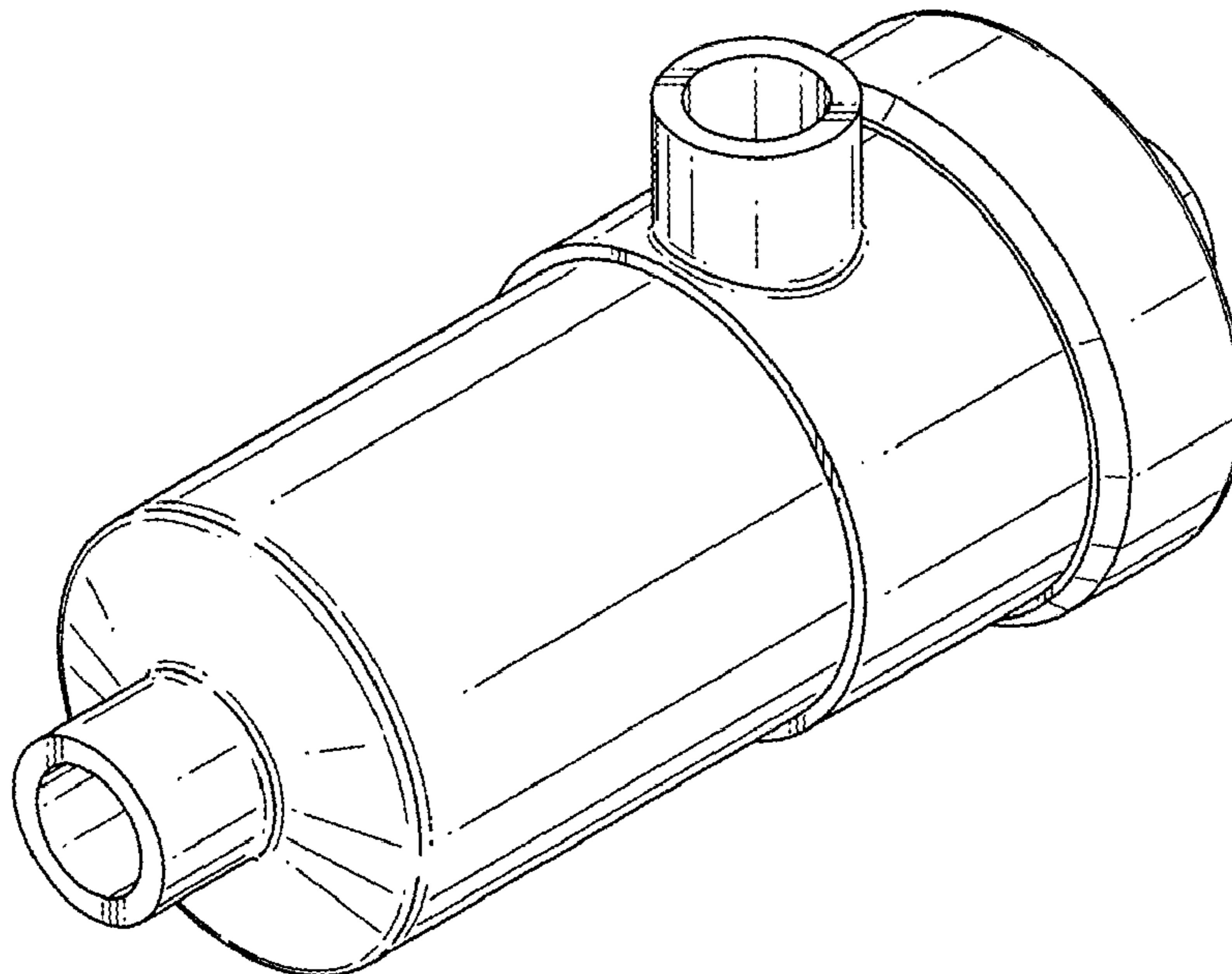


FIG. 1

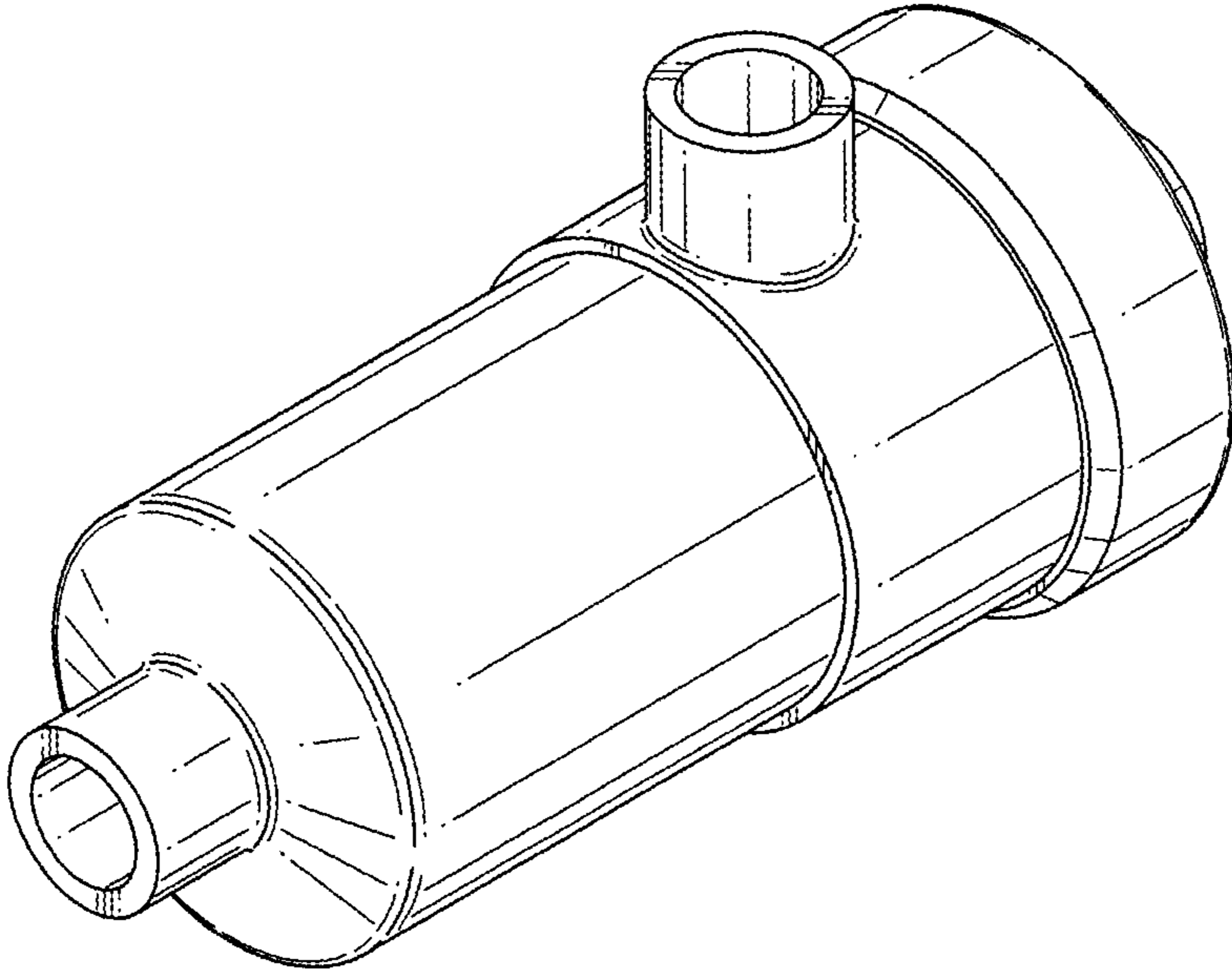


FIG. 2

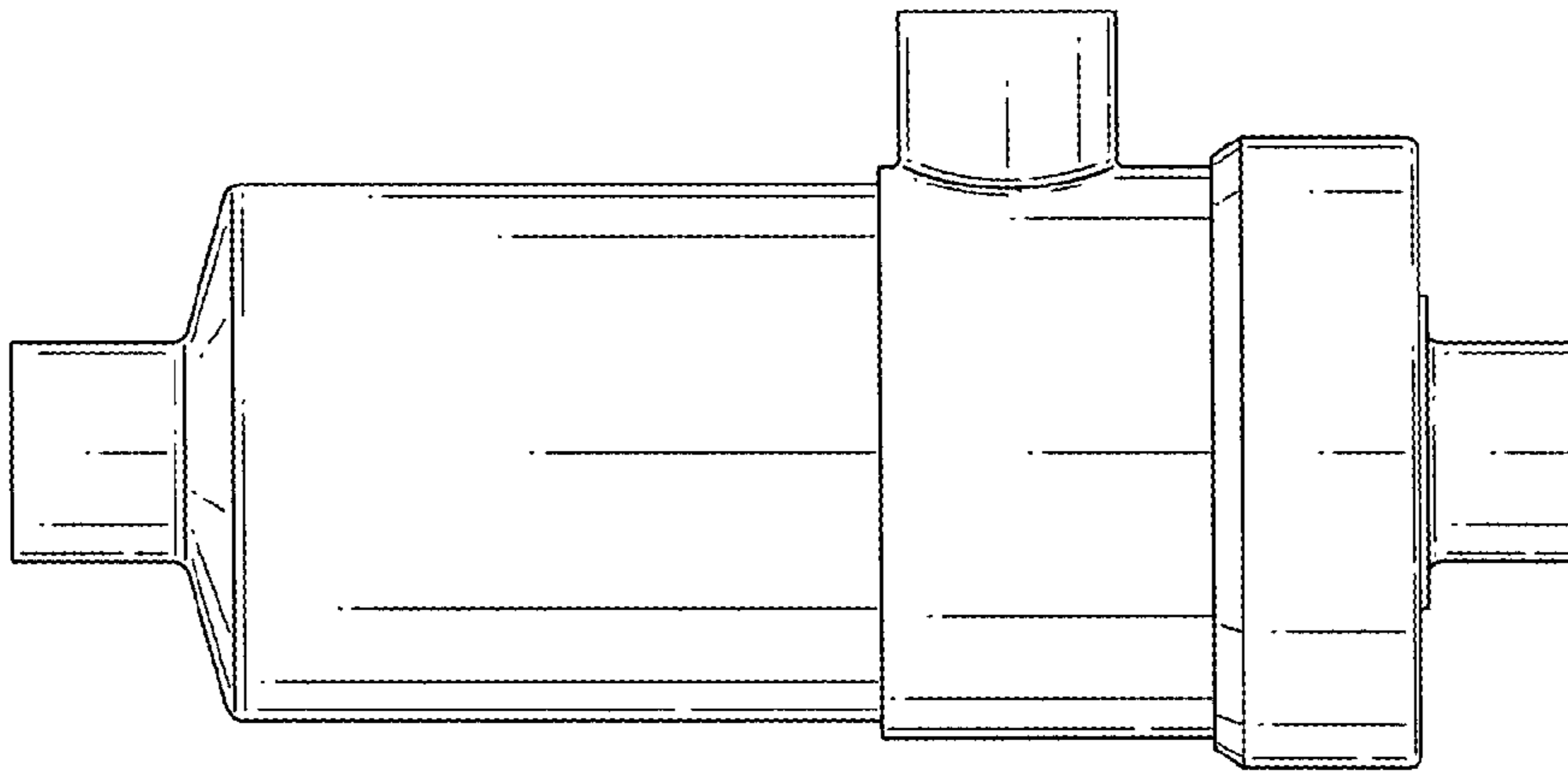


FIG. 3

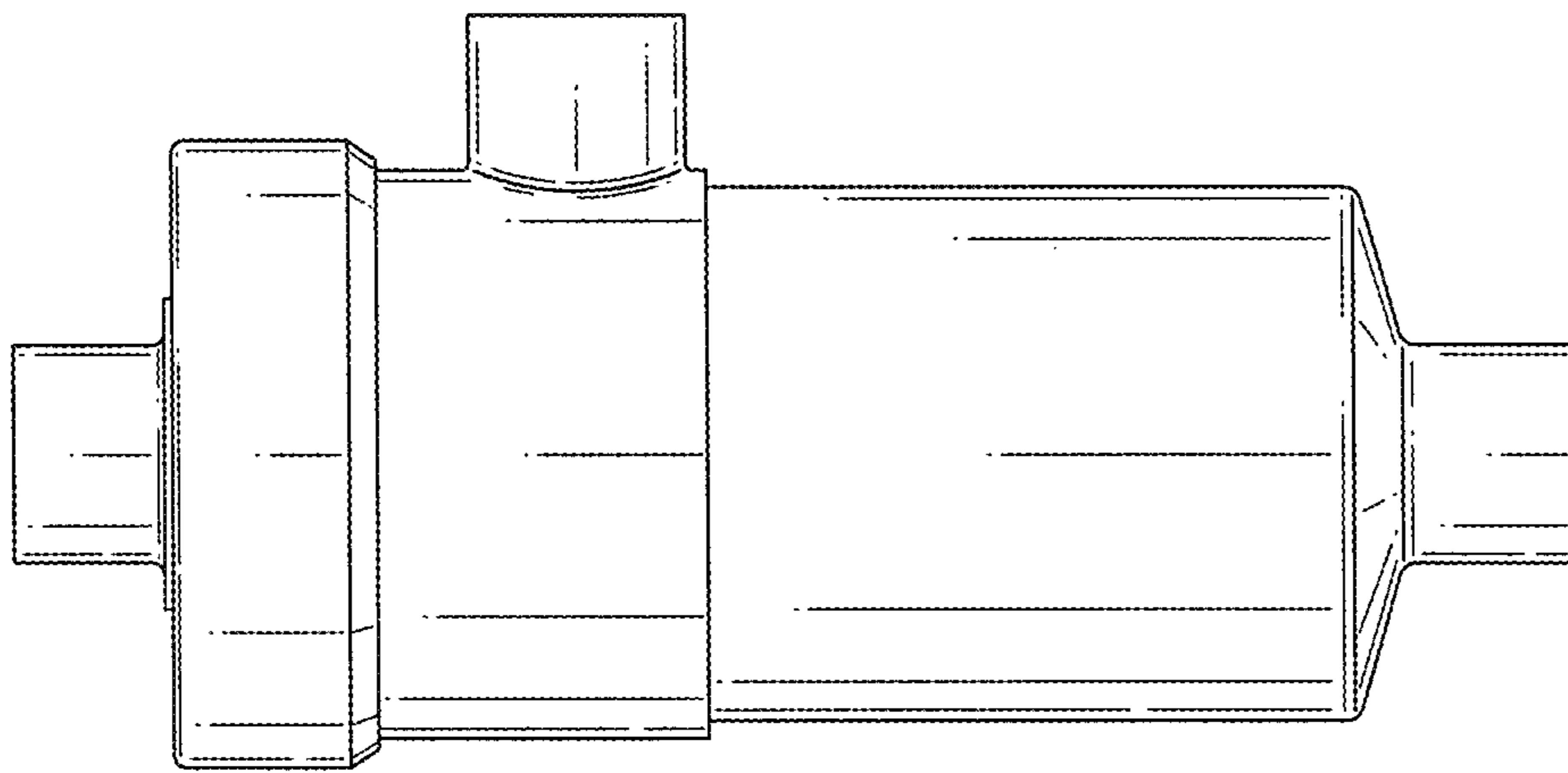


FIG. 4

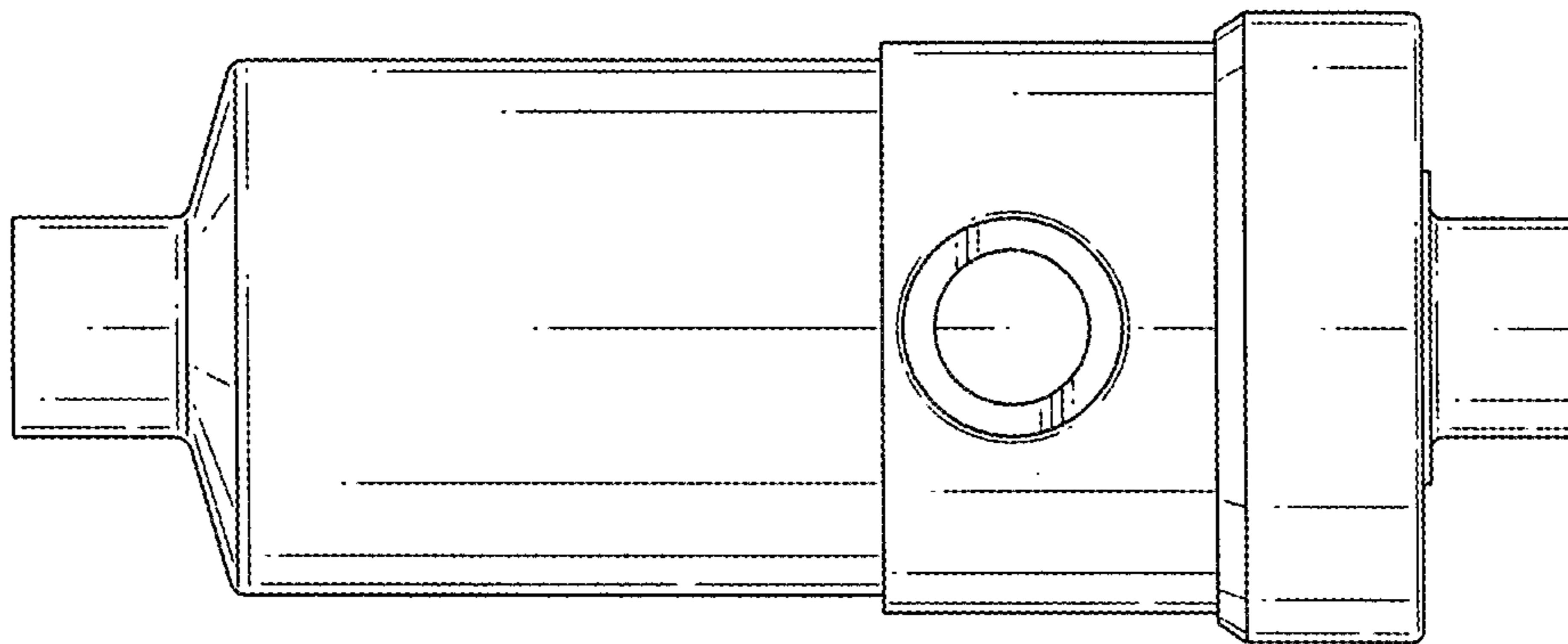


FIG. 5

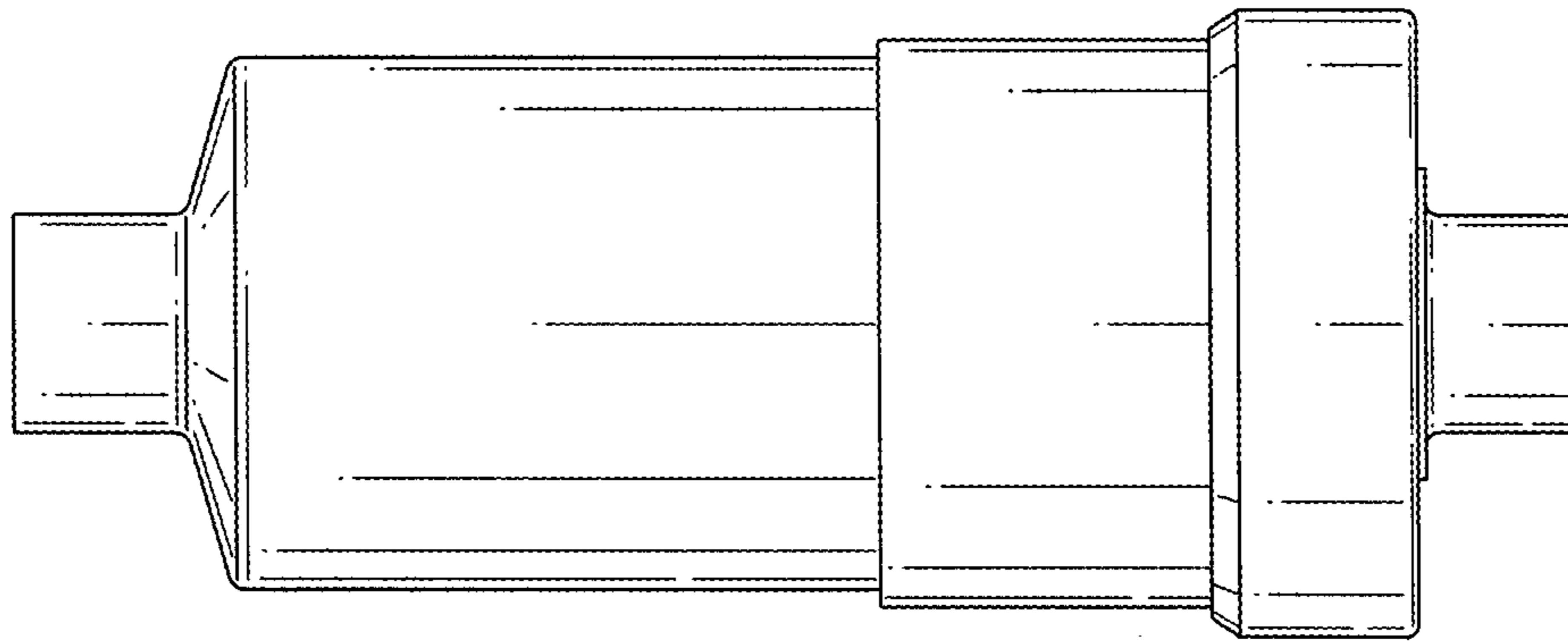


FIG. 6

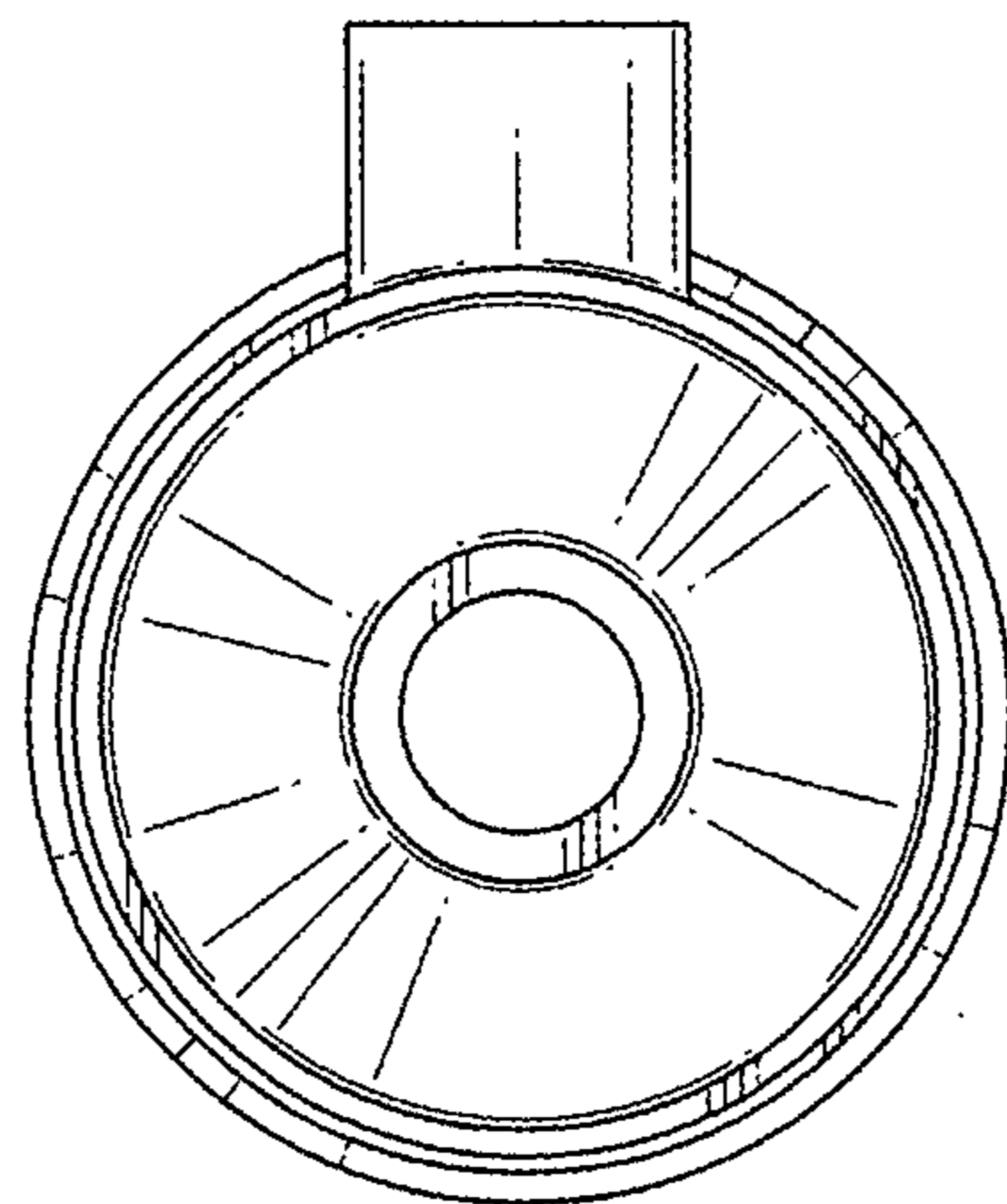


FIG. 7

