



US00D776785S

(12) **United States Design Patent**
Nagai et al.

(10) **Patent No.:** **US D776,785 S**
(45) **Date of Patent:** **** Jan. 17, 2017**

(54) **FISHING REEL**

(71) Applicant: **GLOBERIDE, INC.**,
Higashikurume-shi, Tokyo (JP)

(72) Inventors: **Ryou Nagai**, Higashikurume (JP);
Takashi Shibata, Higashikurume (JP);
Wataru Tsutsumi, Higashikurume (JP);
Sakae Kobayashi, Higashikurume (JP);
Katsuya Masaki, Musashino (JP)

(73) Assignee: **GLOBRIDE, INC.**, Tokyo (JP)

(**) Term: **15 Years**

(21) Appl. No.: **29/534,314**

(22) Filed: **Jul. 28, 2015**

(30) **Foreign Application Priority Data**

Jan. 29, 2015 (JP) 2015-001597

(51) **LOC (10) Cl.** **22-05**

(52) **U.S. Cl.**
USPC **D22/141**

(58) **Field of Classification Search**
USPC D21/374; D22/129, 137, 140, 141
CPC A01K 89/00; A01K 89/01; A01K 87/00;
A01K 87/04; A01K 87/06; A01K 85/00;
B29C 39/02; B29C 53/04
See application file for complete search history.

(56) **References Cited**

U.S. PATENT DOCUMENTS

D369,643 S * 5/1996 Moriya D22/141
7,364,105 B1 * 4/2008 Yeh A01K 89/01
242/223

D579,513 S * 10/2008 Iwabuchi D22/141
D624,624 S * 9/2010 Tabuse D22/141
D650,465 S * 12/2011 Asaba D22/141
D655,370 S * 3/2012 McCune D22/141
D669,152 S * 10/2012 Jyo D22/140
D685,055 S * 6/2013 Deguchi D22/141
D716,413 S * 10/2014 Hosono D22/141
D724,174 S * 3/2015 Nago D22/140
D725,229 S * 3/2015 Deguchi D22/141
2002/0056776 A1 * 5/2002 Sugawara A01K 89/01
242/231
2005/0145735 A1 * 7/2005 Ikuta A01K 89/01
242/307
2015/0272102 A1 * 10/2015 Tsutsumi A01K 89/01
242/224

* cited by examiner

Primary Examiner — Manpreet Matharu

Assistant Examiner — Suzanne Tisdell

(74) *Attorney, Agent, or Firm* — Sughrue Mion, PLLC

(57) **CLAIM**

The ornamental design for the fishing reel, as shown and described.

DESCRIPTION

FIG. 1 is a perspective view of front, top and right side of the fishing reel showing our new design;
FIG. 2 is a front view thereof;
FIG. 3 is a rear view thereof;
FIG. 4 is a top view thereof;
FIG. 5 is a bottom view thereof;
FIG. 6 is a left side view thereof; and,
FIG. 7 is a right side view thereof.

1 Claim, 7 Drawing Sheets

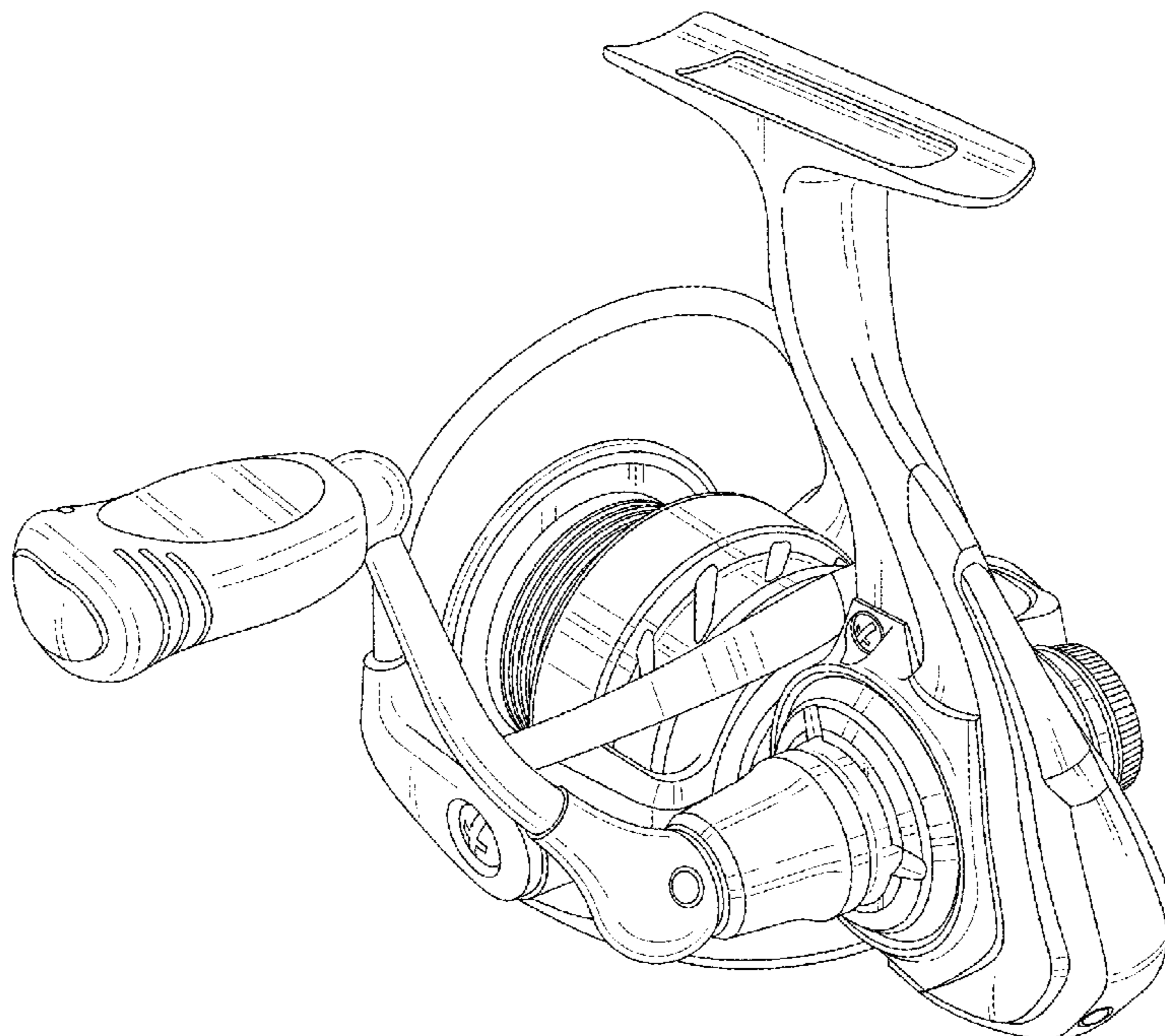


Fig. 1

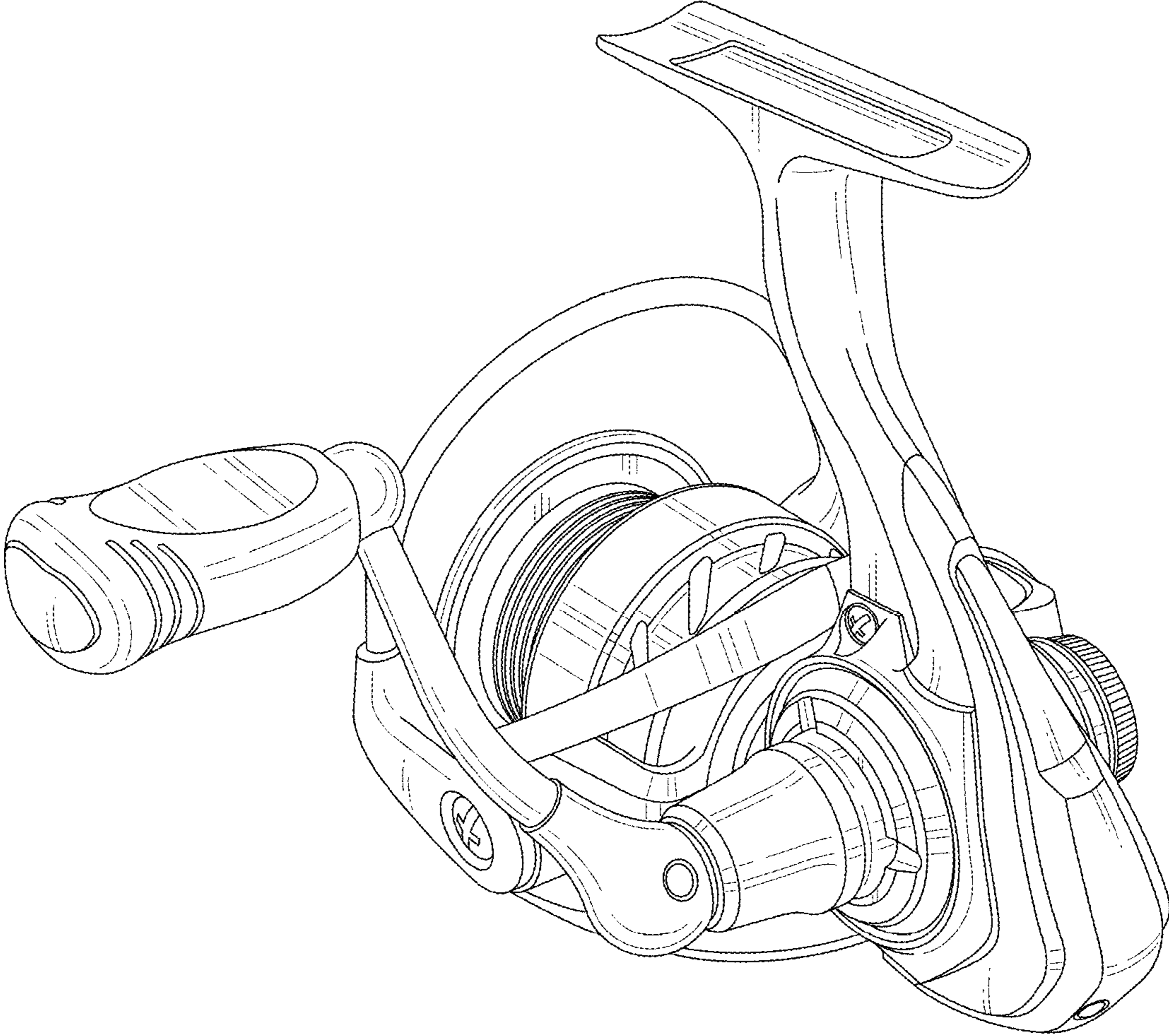


Fig. 2

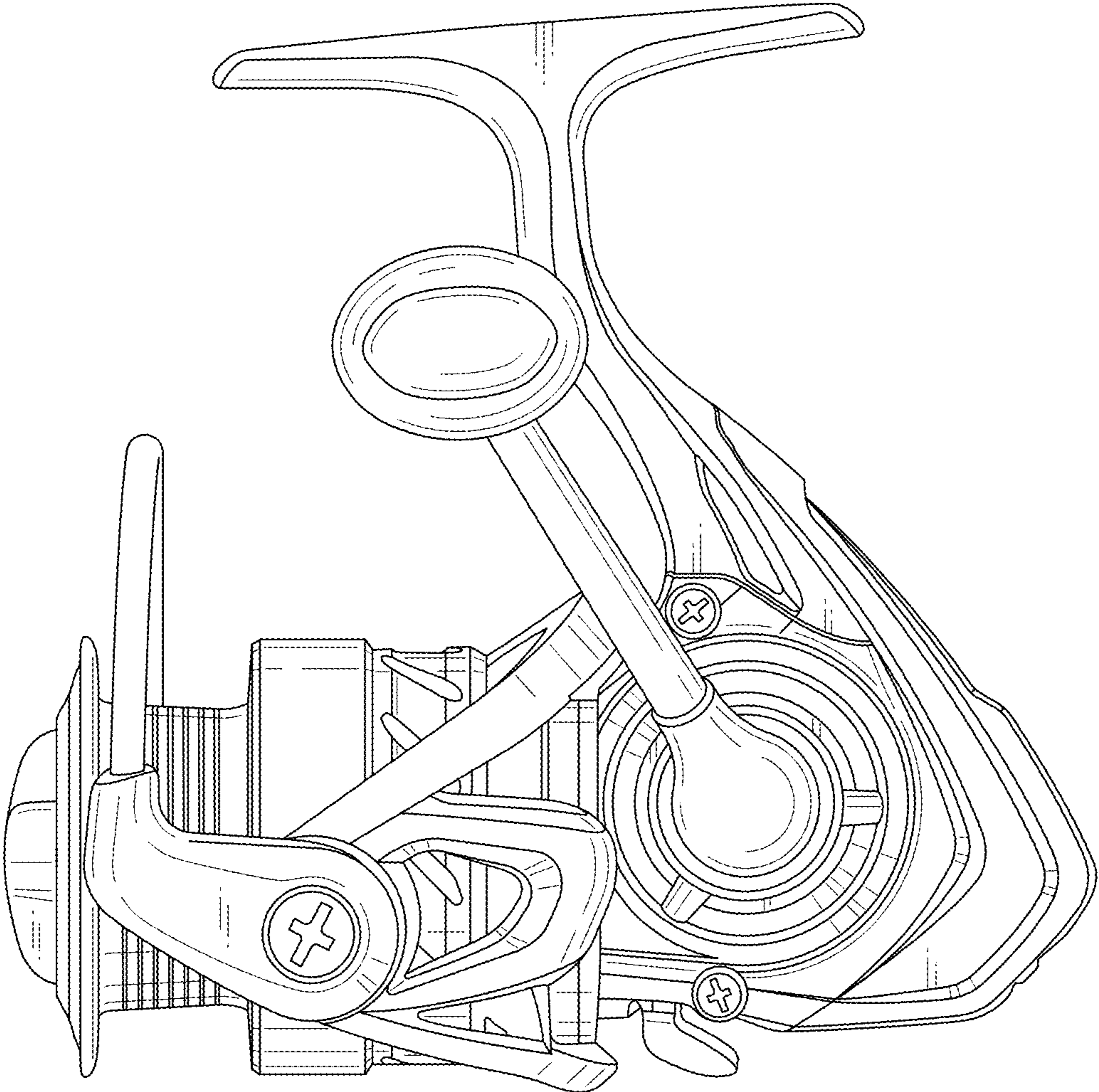


Fig. 3

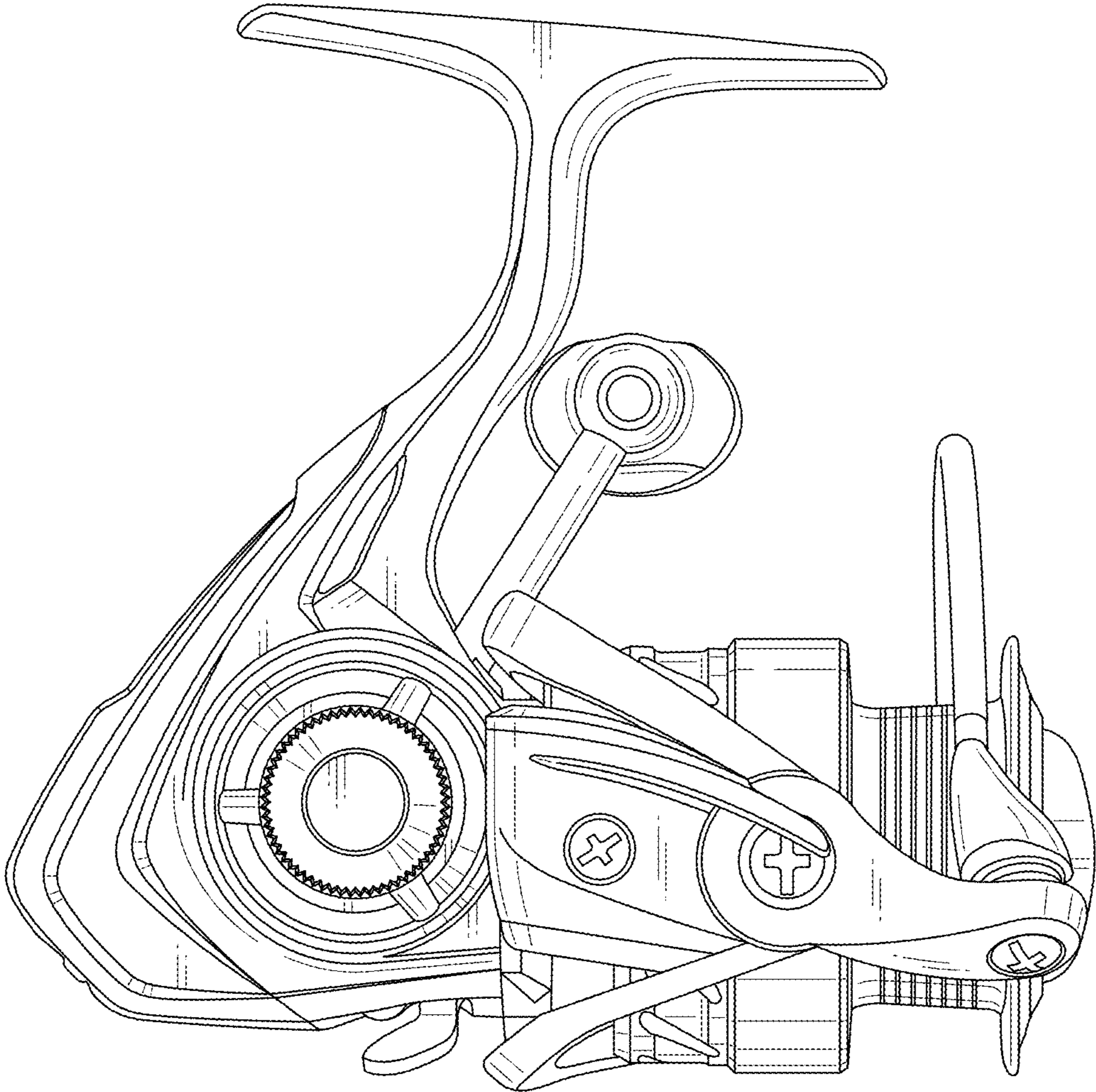


Fig. 4

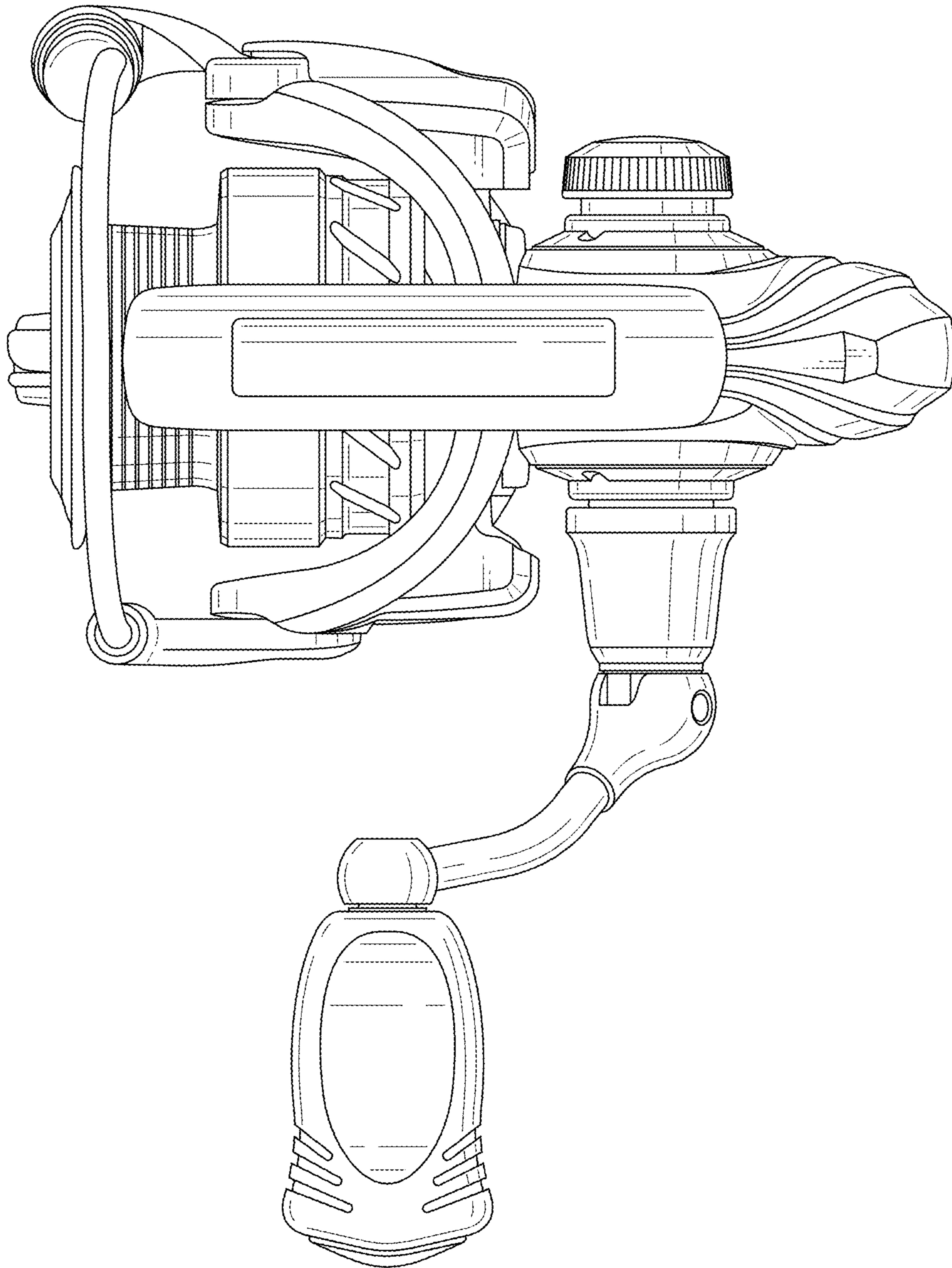


Fig. 5

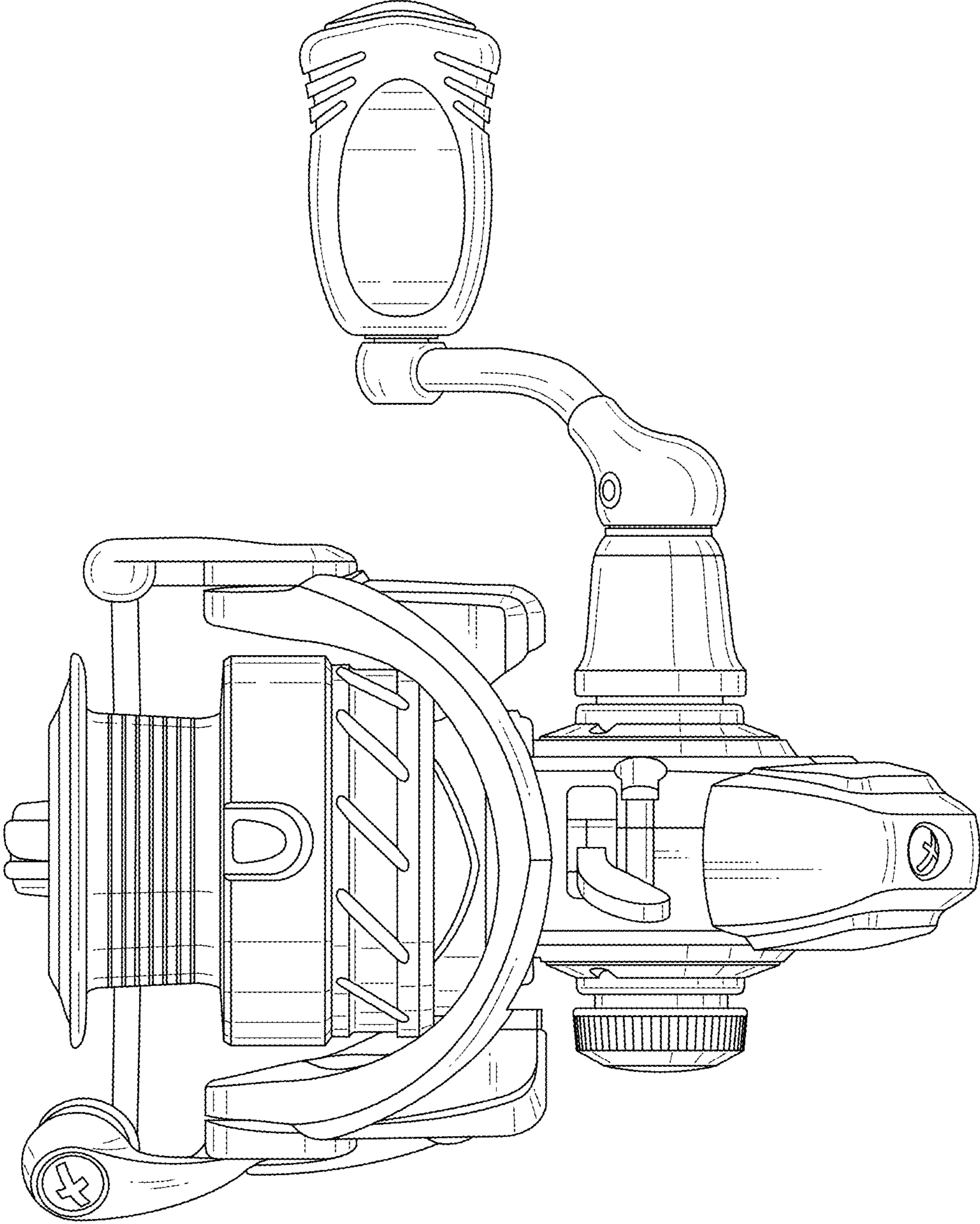


Fig. 6

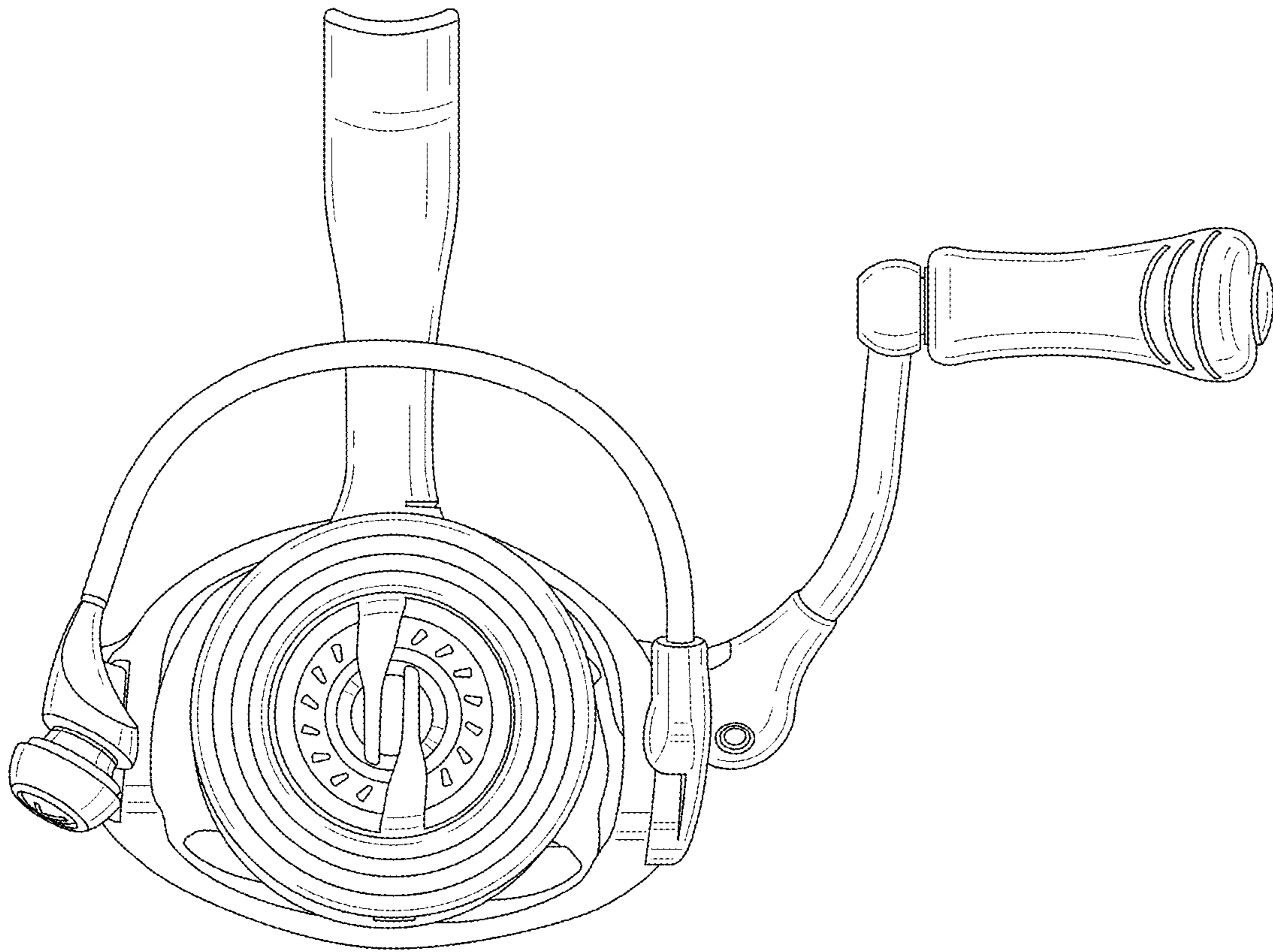


Fig. 7

