



US00D776784S

(12) **United States Design Patent** (10) **Patent No.:** **US D776,784 S**
Dablock (45) **Date of Patent:** **** Jan. 17, 2017**

- (54) **FISHING ROD GRIP HANDLE**
- (71) Applicant: **Diamondback Rod Co., LLC**,
Syracuse, NY (US)
- (72) Inventor: **Nathan Robert Dablock**, East
Syracuse, NY (US)
- (73) Assignee: **Diamondback Rod Co., LLC**,
Syracuse, NY (US)
- (**) Term: **15 Years**
- (21) Appl. No.: **29/545,925**
- (22) Filed: **Nov. 17, 2015**
- (51) **LOC (10) Cl.** **22-05**
- (52) **U.S. Cl.**
USPC **D22/137**
- (58) **Field of Classification Search**
USPC D17/9, 13; D21/328; D22/137, 141, 142,
D22/147; D26/23, 41, 50, 87, 142, 155
CPC A01K 87/06; A01K 97/10
See application file for complete search history.

(56) **References Cited**

U.S. PATENT DOCUMENTS

2,505,075	A *	4/1950	Weinberger	F16M 11/00 248/121
D250,853	S *	1/1979	Fund	D26/142
D258,231	S *	2/1981	Airhart	D22/142
D289,193	S *	4/1987	Childre	D22/142
D299,737	S *	2/1989	Andreasen	D22/142
D314,287	S *	2/1991	Albright, Sr.	D22/147
5,088,225	A *	2/1992	Yamamoto	A01K 87/06 43/22
D324,409	S *	3/1992	LaTouche	D22/142
D327,727	S *	7/1992	Robbins	D22/142
D331,617	S *	12/1992	Onishi	D22/142
D342,985	S *	1/1994	Grice	D22/142

D352,341	S *	11/1994	Park	D22/142
D353,262	S *	12/1994	Cantavespre	D22/139
6,397,511	B1 *	6/2002	Atnip	A01K 87/06 43/22
D508,727	S *	8/2005	Peters	D12/133
D667,992	S *	9/2012	Serrano	D26/155
D698,482	S *	1/2014	Chen	D26/142
D721,448	S *	1/2015	Solstad	D26/23
D749,189	S *	2/2016	Noraker	D22/142
D750,735	S *	3/2016	Nakamichi	D22/147
D752,176	S *	3/2016	Johns	D22/147
2012/0017487	A1 *	1/2012	O'Keefe	A01K 97/10 43/21.2
2014/0047758	A1 *	2/2014	Ciciulla	A01K 97/10 43/21.2
2016/0037762	A1 *	2/2016	Thomas	A01K 97/10 248/636

(Continued)

Primary Examiner — Manpreet Matharu
Assistant Examiner — Suzanne Tisdell
(74) *Attorney, Agent, or Firm* — Novick, Kim & Lee,
PLLC; Jae Youn Kim

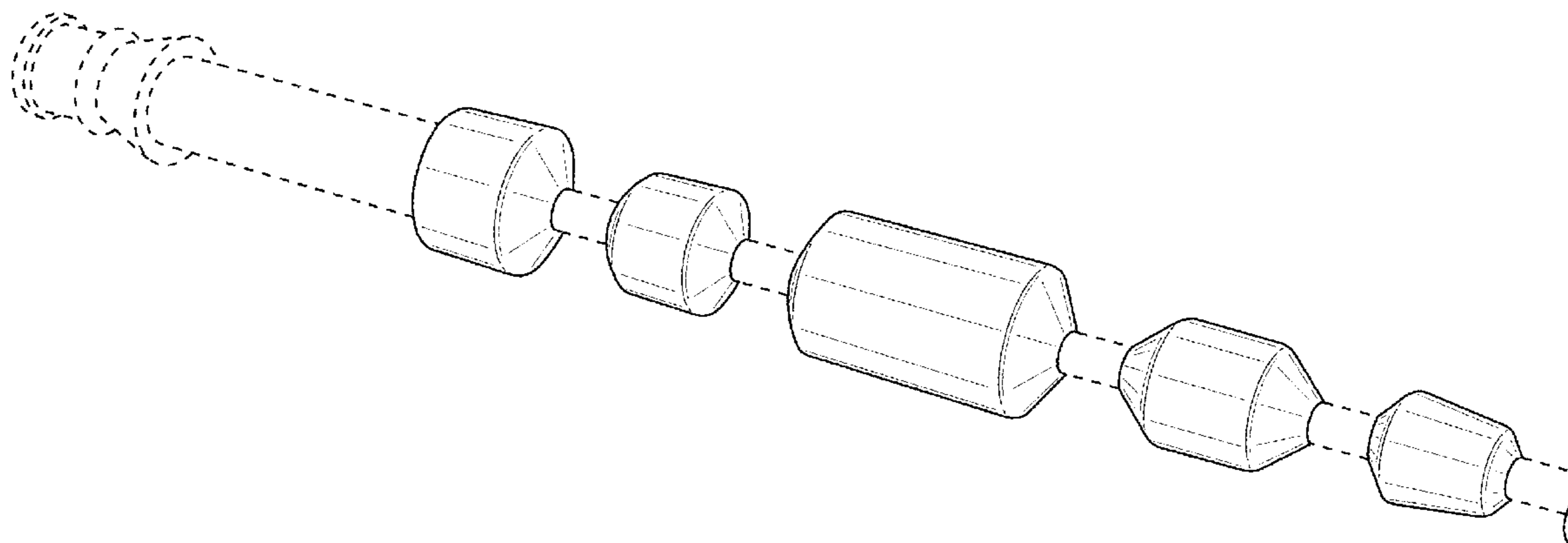
(57) **CLAIM**

I claim the ornamental design of a fishing rod grip handle, as shown and described.

DESCRIPTION

FIG. 1 is a perspective view of a fishing rod grip handle, showing my new design;
FIG. 2 is a front elevational view thereof;
FIG. 3 is a bottom plan view thereof; and,
FIG. 4 is a top plan view thereof.
Rear, right side, and left side elevational views of the fishing rod grip handle are not shown as they are identical to the front elevational view shown in FIG. 2.
The broken lines in the drawing figures show unclaimed subject matter only and form no part of the claimed design.

1 Claim, 3 Drawing Sheets



(56)

References Cited

U.S. PATENT DOCUMENTS

2016/0192628 A1* 7/2016 Omura A01K 87/06
43/22

* cited by examiner

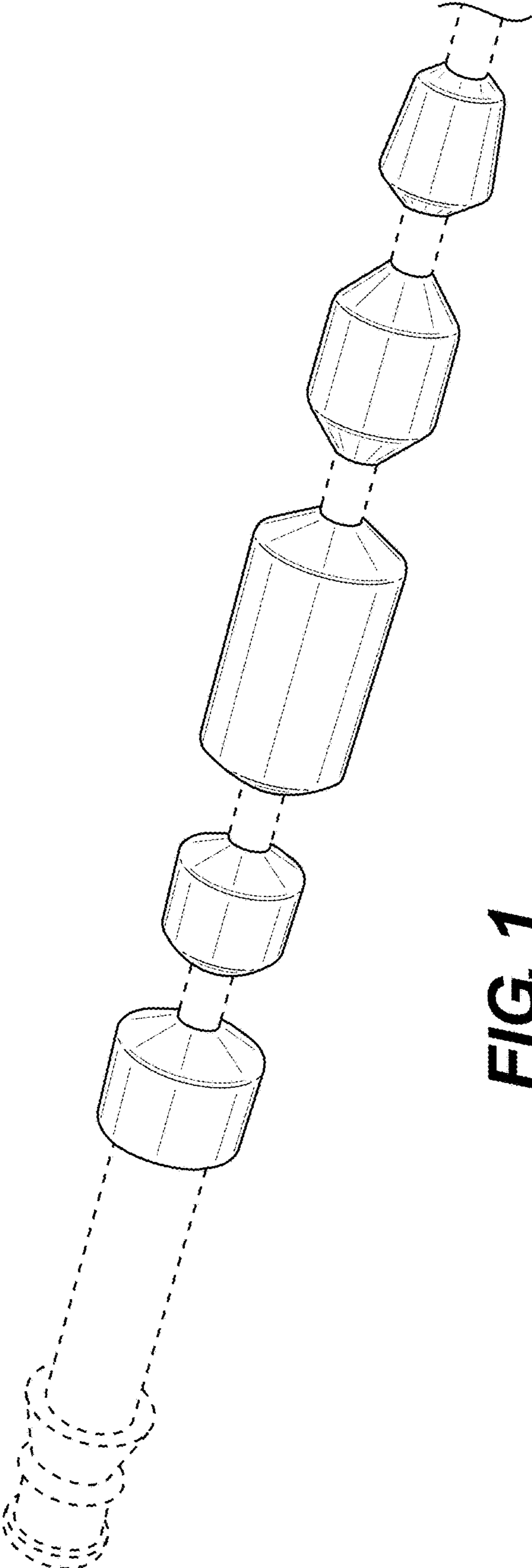


FIG. 1

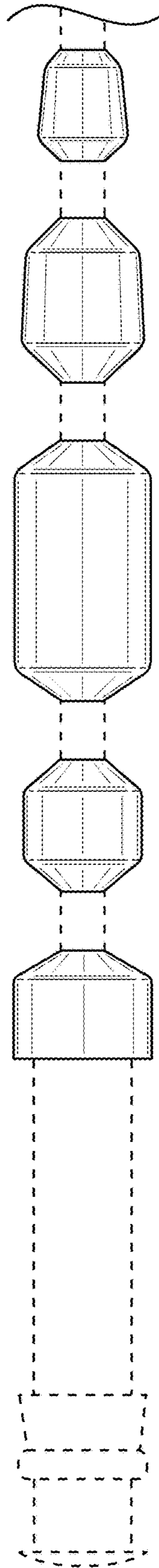


FIG. 2

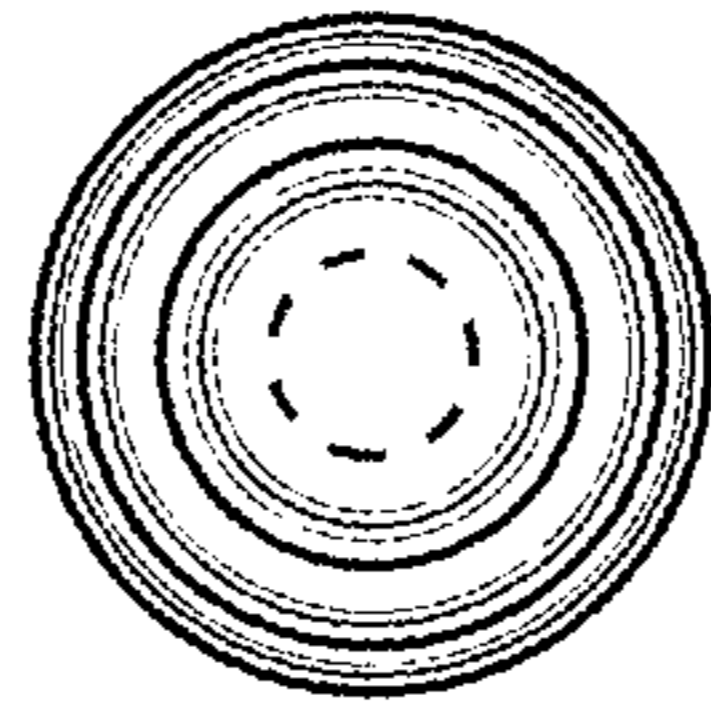


FIG. 4

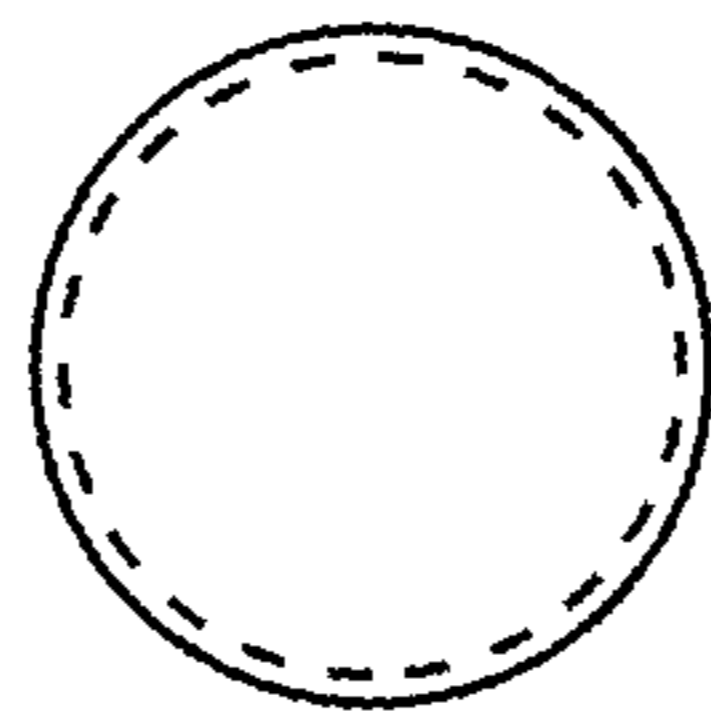


FIG. 3