



US00D776783S

(12) **United States Design Patent**
St. Phillips et al.

(10) **Patent No.:** **US D776,783 S**

(45) **Date of Patent:** **** Jan. 17, 2017**

- (54) **RAIL LIGHT**
- (71) Applicant: **LaserMax, Inc**, Rochester, NY (US)
- (72) Inventors: **Eric A. St. Phillips**, Fairport, NY (US);
Thomas O. Pierce, Rochester, NY (US)
- (73) Assignee: **LaserMax, Inc.**, Rochester, NY (US)
- (**) Term: **14 Years**
- (21) Appl. No.: **29/523,394**
- (22) Filed: **Apr. 9, 2015**
- (51) **LOC (10) Cl.** **22-01**
- (52) **U.S. Cl.**
USPC **D22/108**
- (58) **Field of Classification Search**
USPC D22/108-109; D26/24-27, 38, 40, 42,
D26/46-47, 51, 60, 113, 118, 130-133,
D26/136
CPC F41G 1/35; F41G 1/345
See application file for complete search history.

- 2007/0068060 A1* 3/2007 Kim F41C 27/00
42/146
- 2013/0148367 A1* 6/2013 Sharrah F21S 9/02
362/396
- 2015/0007481 A1* 1/2015 Houde-Walter F41G 1/35
42/114

* cited by examiner

Primary Examiner — Michael A Pratt

(74) *Attorney, Agent, or Firm* — Roland R. Schindler, II;
Dominic Ciminello; Lee & Hayes

(57) **CLAIM**

The ornamental design for a rail light, as shown and described herein.

DESCRIPTION

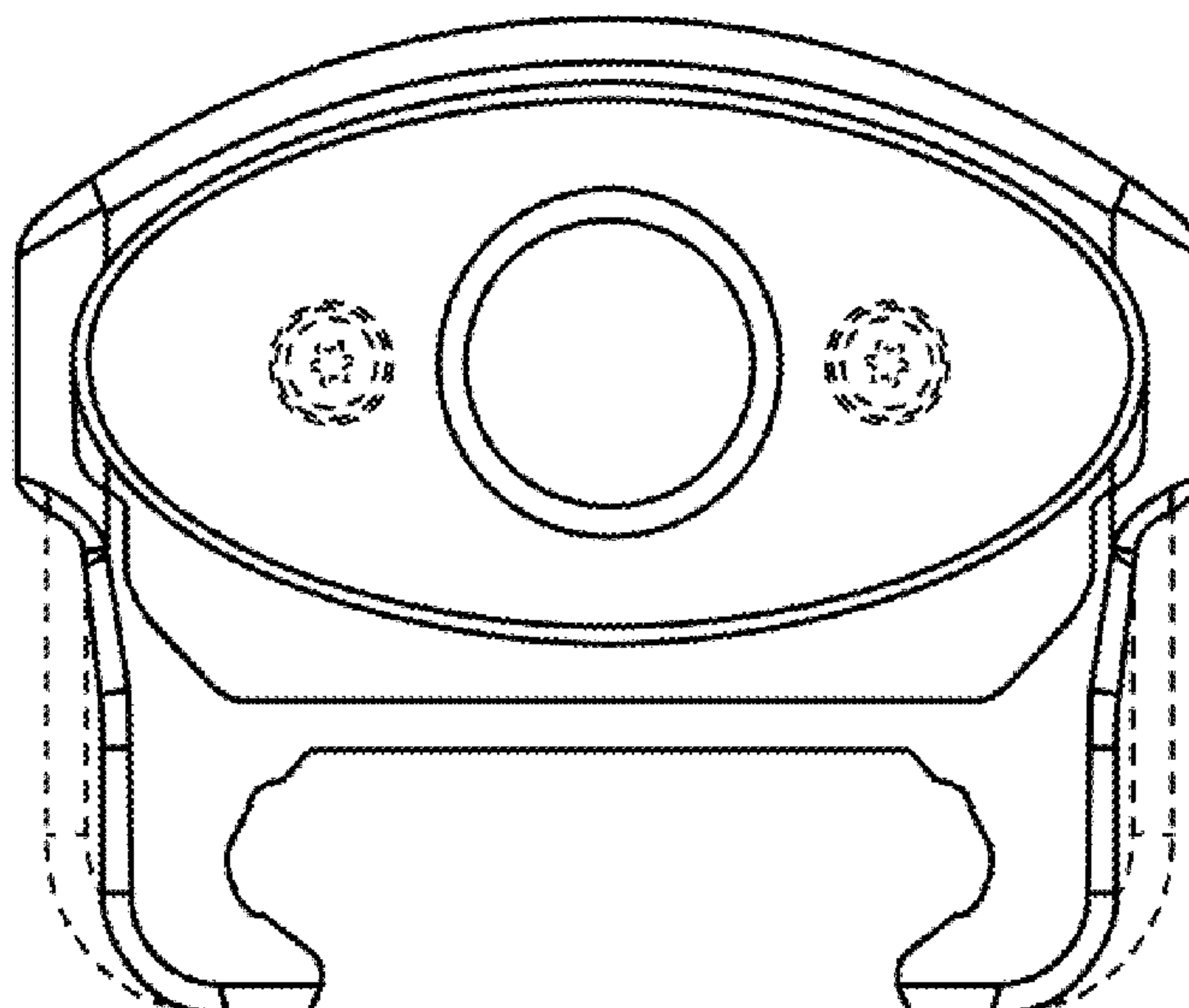
FIG. 1 is a front elevation view of our new design.
 FIG. 2 is a left side elevation view of the embodiment of FIG. 1.
 FIG. 3 is a top view of the embodiment of FIG. 1.
 FIG. 4 is a back elevation view of the embodiment of FIG. 1.
 FIG. 5 is a front, top, left side elevation view of the embodiment of FIG. 1.
 FIG. 6 is a back, top, right side elevation view of the embodiment of FIG. 1; and,
 FIG. 7 is a bottom view of the embodiment of FIG. 1.
 The dashed lines in the figures do not form any part of the design sought to be patented.

(56) **References Cited**

U.S. PATENT DOCUMENTS

- 4,940,324 A * 7/1990 Nichols G02B 23/00
356/247
- 7,325,352 B2 * 2/2008 Matthews F41G 11/003
362/110
- 7,421,818 B2 * 9/2008 Houde-Walter F41G 11/003
42/115
- 7,591,098 B2 * 9/2009 Matthews F41G 11/003
362/110
- 8,287,157 B2 * 10/2012 Sharrah F21V 21/0885
362/310

1 Claim, 7 Drawing Sheets



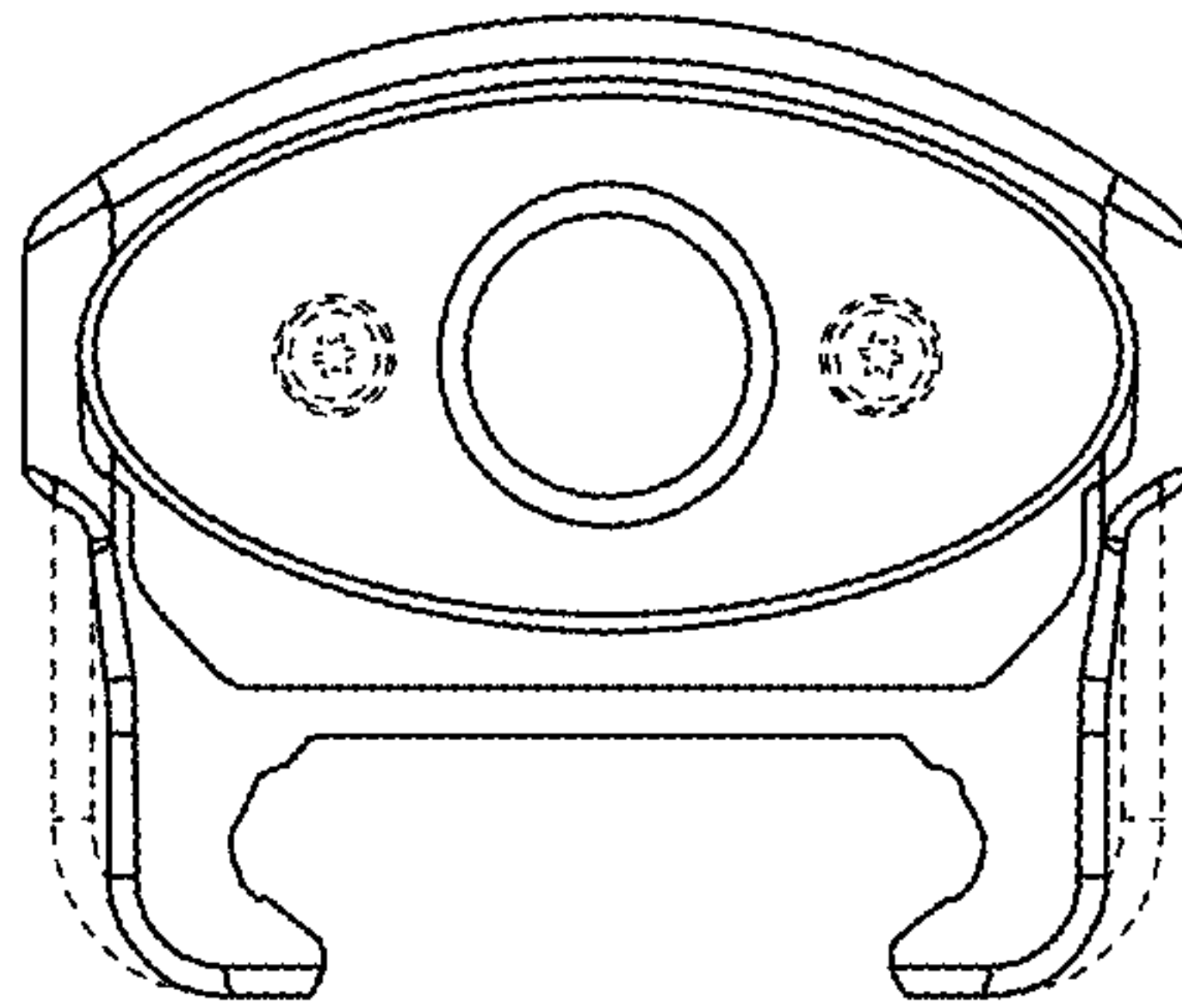


FIG. 1

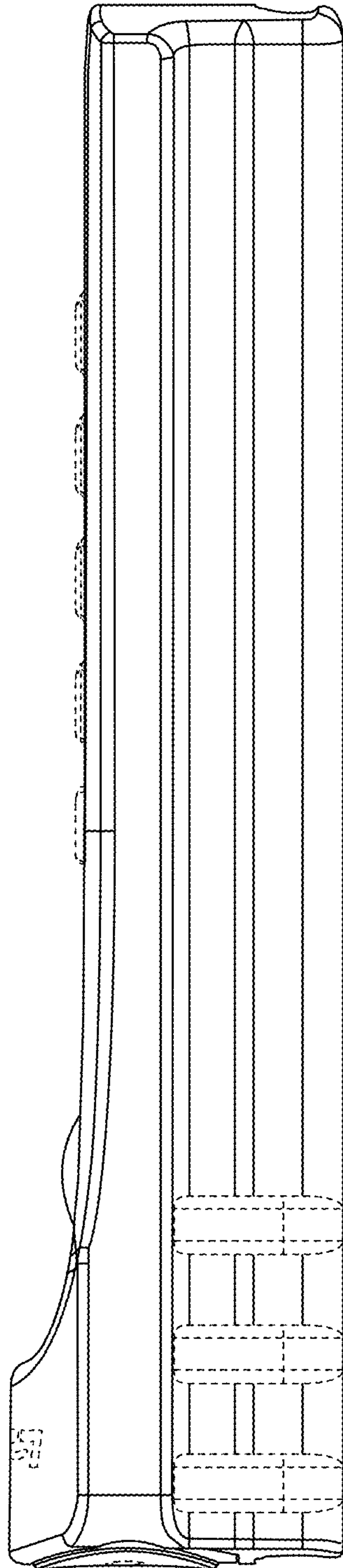


FIG. 2

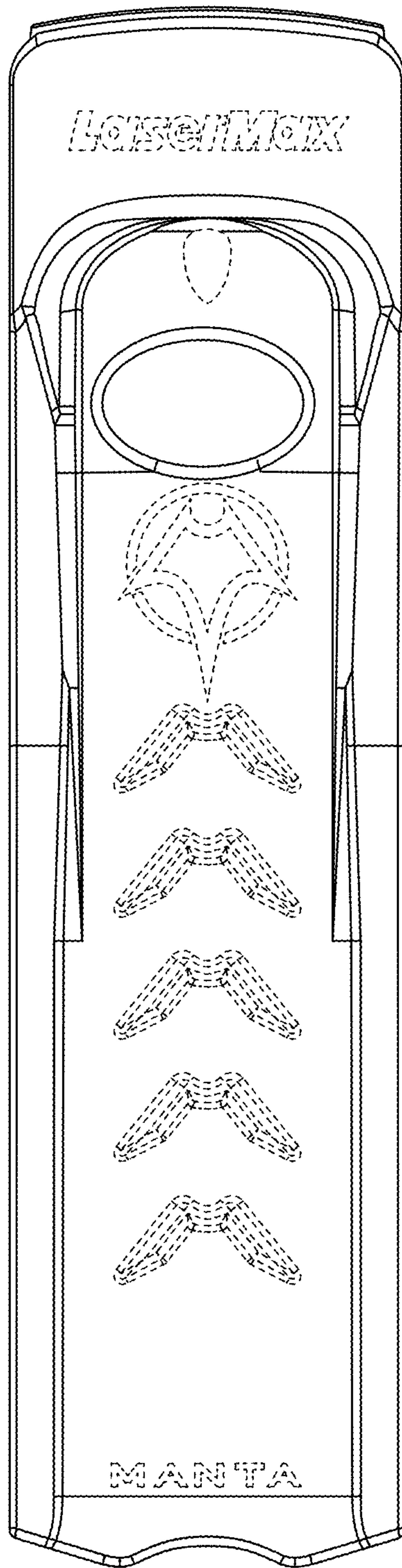


FIG. 3

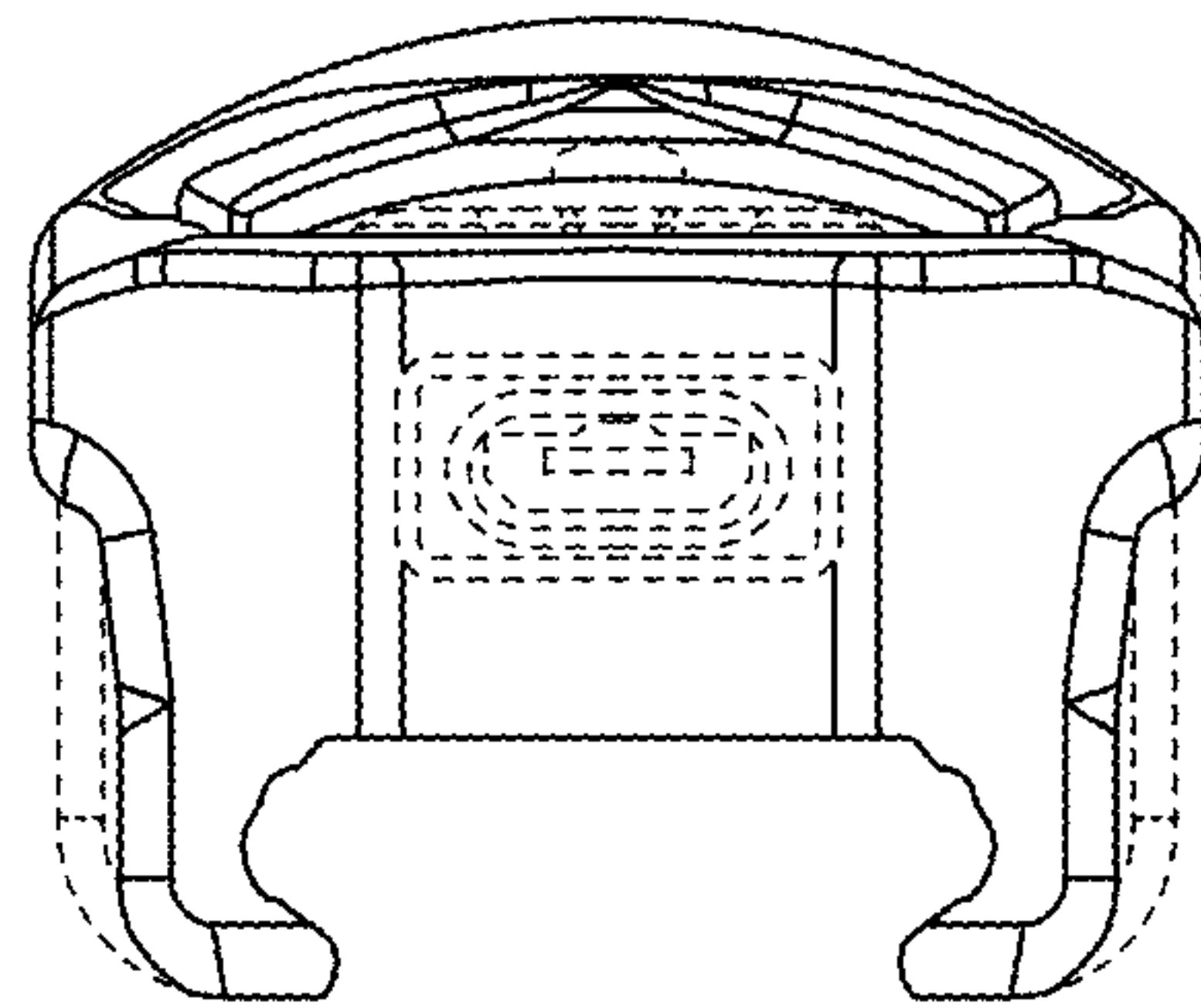


FIG. 4

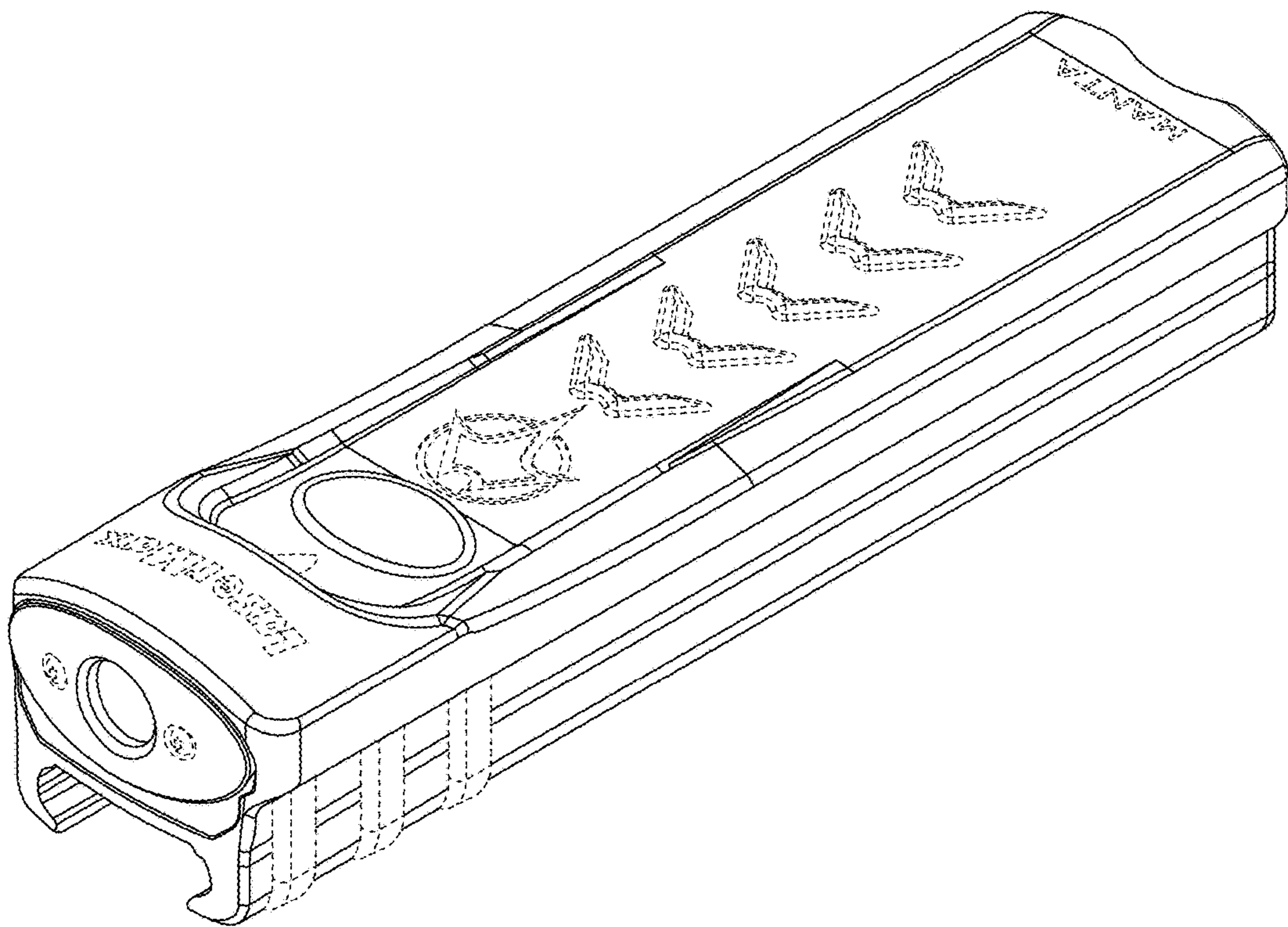


FIG. 5

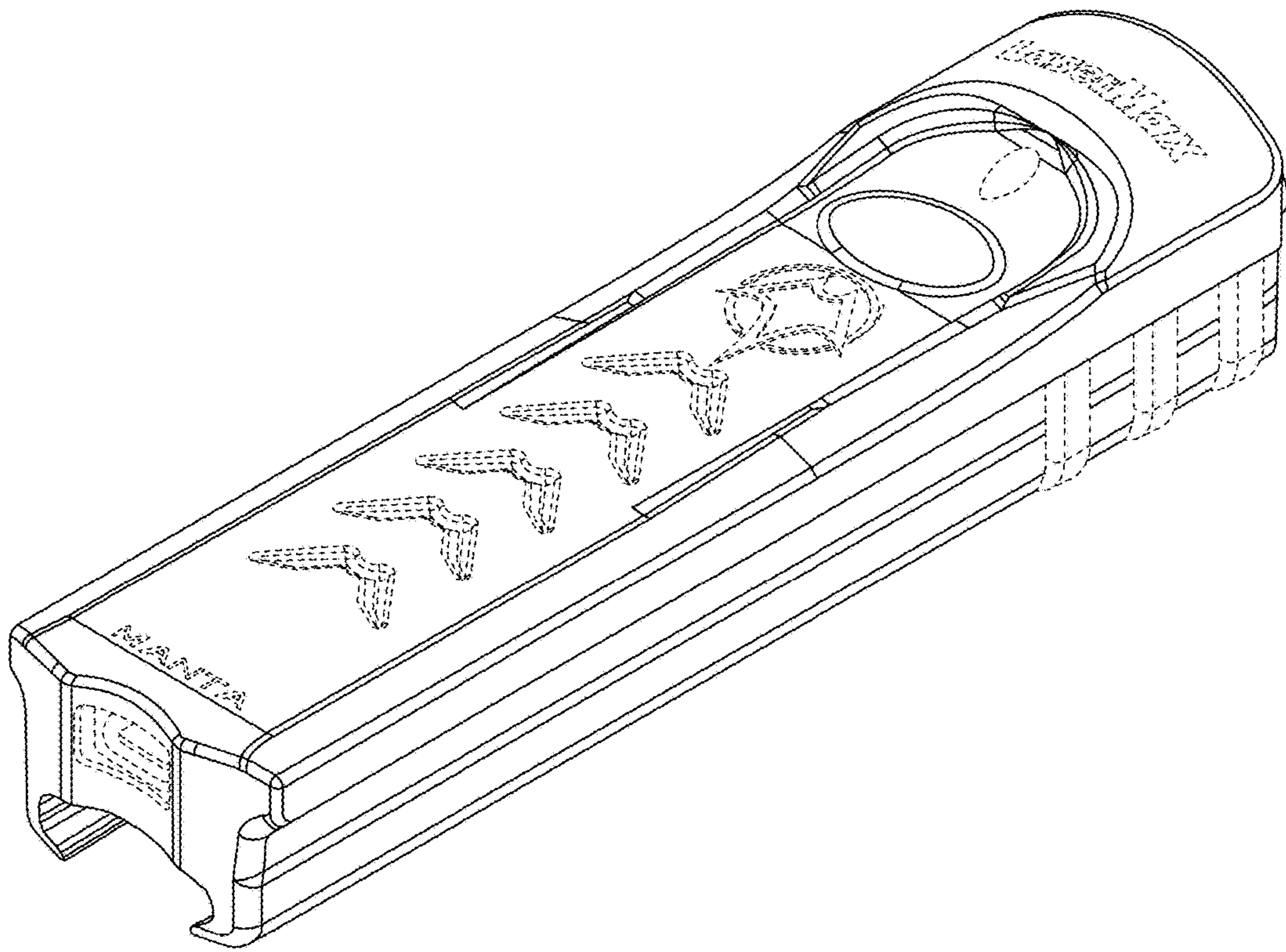


FIG. 6

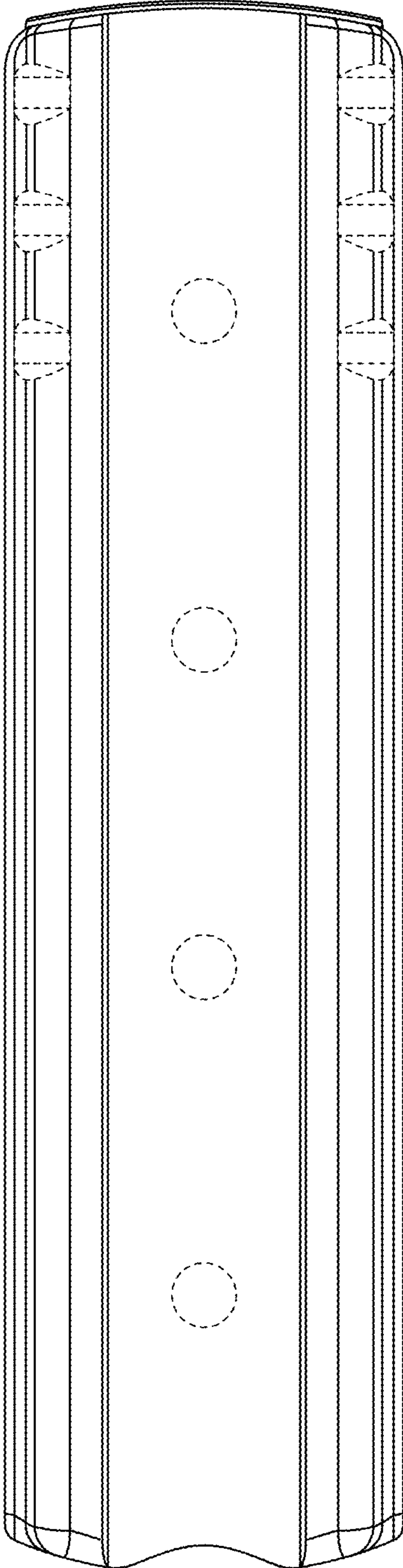


FIG. 7