

US00D776782S

(12) **United States Design Patent** (10) **Patent No.:** **US D776,782 S**
Pedersen (45) **Date of Patent:** **** Jan. 17, 2017**

(54) **BROADHEAD ARROWHEAD HAVING BOTH EXPANDABLE AND FIXED CUTTING BLADES**

(71) Applicant: **Out RAGE, LLC**, Cartersville, GA (US)

(72) Inventor: **William E. Pedersen**, Duluth, MN (US)

(73) Assignee: **FeraDyne Outdoors, LLC**, Superior, WI (US)

(**) Term: **15 Years**

(21) Appl. No.: **29/527,918**

(22) Filed: **May 22, 2015**

(51) **LOC (10) Cl.** **22-01**

(52) **U.S. Cl.**
USPC **D22/107**

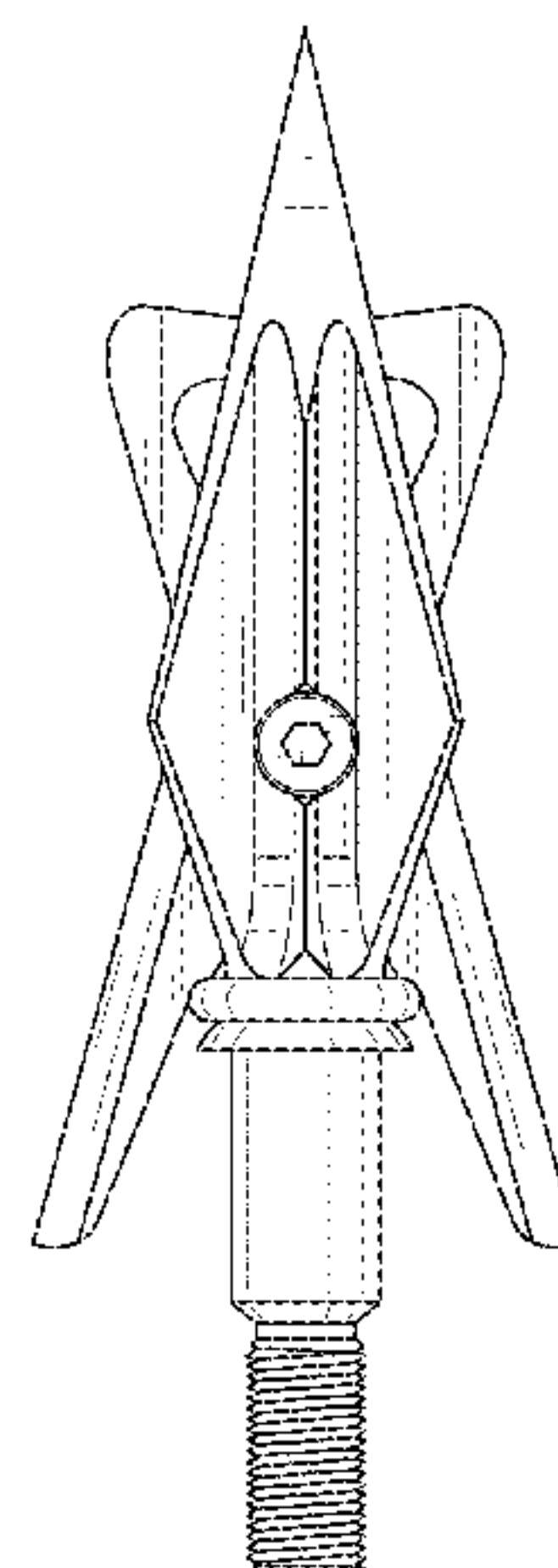
(58) **Field of Classification Search**
USPC D22/107, 115
CPC F42B 6/04; F42B 6/08; F42B 6/003; F42B 6/02; F42B 12/362

See application file for complete search history.

(56) **References Cited**

U.S. PATENT DOCUMENTS

2,137,014 A	11/1938	Brochu	3,036,396 A	5/1962	Swails
2,212,345 A	8/1940	Krieger	3,064,977 A	11/1962	Zwickey
2,212,346 A	8/1940	Kroon	3,138,383 A	6/1964	McKinzie
2,289,284 A	7/1942	Chandler	3,527,463 A	9/1970	Turner
2,568,417 A	9/1951	Steinbacher	3,578,328 A	5/1971	Rickey
2,684,852 A	7/1954	Romeka	3,618,948 A	11/1971	McGlocklin
2,686,055 A	8/1954	Peltz	3,653,664 A	4/1972	Gentellalli
2,816,765 A	12/1957	Stockfleth	3,672,677 A	6/1972	Moore
2,859,970 A	11/1958	Doonan	3,738,657 A	6/1973	Cox
2,903,785 A	9/1959	Hanink et al.	3,741,542 A	6/1973	Karbo
2,925,278 A	2/1960	Sweetland	3,756,600 A	9/1973	Maleski
2,930,620 A	3/1960	Brooks	3,759,519 A	9/1973	Palma
2,939,708 A	6/1960	Scheib	3,824,026 A	7/1974	Gaskins
2,940,758 A	6/1960	Richter	3,854,723 A	12/1974	Wilson
3,000,635 A	9/1961	Nieman	3,881,730 A	5/1975	Carella
3,033,705 A	5/1962	Hanink et al.	3,893,866 A	7/1975	Hollingsworth
3,036,395 A	5/1962	Nelson	3,897,062 A	7/1975	Christensen
			3,910,579 A	10/1975	Sprandel
			3,915,455 A	10/1975	Savora
			3,941,059 A	3/1976	Cobb
			4,006,901 A	2/1977	Simo
			4,029,319 A	6/1977	Christen
			4,036,499 A	7/1977	Sherwin
			4,043,020 A	8/1977	Hoggard
			4,055,975 A	11/1977	Serfozo et al.
			4,082,292 A	4/1978	Fletchic et al.
			4,093,230 A	6/1978	Simo
			4,099,720 A	7/1978	Zeren
			4,141,554 A	2/1979	Sherwin
			4,146,226 A	3/1979	Sorensen
			4,166,619 A	9/1979	Bergmann et al.
			4,203,601 A	5/1980	Simo
			4,210,330 A	7/1980	Kosbab
			4,212,463 A	7/1980	Repinski et al.
			4,234,191 A	11/1980	Erlandson
			4,254,958 A	3/1981	Bateman, III
			4,341,391 A	7/1982	Anderson
			4,381,866 A	5/1983	Simo
			4,405,133 A	9/1983	Cartwright, Jr.
			4,410,184 A	10/1983	Anderson
			4,452,460 A	6/1984	Adams
			4,504,063 A	3/1985	LeBus
			4,505,482 A	3/1985	Martin, Sr.
			4,529,208 A	7/1985	Simo
			4,534,568 A	8/1985	Tone
			4,558,868 A	12/1985	Musacchia
			4,565,377 A	1/1986	Troncoso, Jr. et al.
			4,576,589 A	3/1986	Kraus et al.
			4,579,348 A	4/1986	Jones
			4,601,710 A	7/1986	Moll
			4,615,529 A	10/1986	Vocal
			4,616,835 A	10/1986	Trotter
			4,621,817 A	11/1986	Musacchia



(56)

References Cited

U.S. PATENT DOCUMENTS

4,643,435 A	2/1987	Musacchia	6,200,237 B1	3/2001	Barrie	
4,671,517 A	6/1987	Winters	6,217,467 B1	4/2001	Maleski	
4,676,512 A	6/1987	Simo	6,258,000 B1	7/2001	Liechty, II	
4,729,320 A	3/1988	Whitten, III	6,270,435 B1	8/2001	Sodaro	
4,742,637 A	5/1988	Musacchia	6,283,880 B1	9/2001	Barrie	
4,807,889 A	2/1989	Johnson	6,287,223 B1	9/2001	Liechty, II	
4,924,619 A	5/1990	Dowell	6,287,224 B1	9/2001	Liechty, II	
4,932,671 A	6/1990	Anderson, Jr.	6,287,244 B1	9/2001	Boos	
4,938,259 A	7/1990	Schmidt	6,290,903 B1	9/2001	Grace, Jr. et al.	
4,940,246 A	7/1990	Stagg	6,306,053 B1	10/2001	Liechty, II	
4,973,060 A	11/1990	Herzing	6,319,161 B1	11/2001	Martinez et al.	
4,976,443 A	12/1990	DeLucia	6,322,464 B1	11/2001	Sestak	
4,986,550 A	1/1991	Segovia	6,394,919 B1	5/2002	Ossege	
4,998,738 A	3/1991	Puckett	6,398,676 B1	6/2002	Mizek	
5,033,220 A	7/1991	Phelps	6,428,433 B1	8/2002	Liechty, II	
5,044,640 A	9/1991	DelMonte et al.	6,428,434 B1	8/2002	Liechty, II	
5,046,744 A	9/1991	Eddy	6,517,454 B2	2/2003	Barrie et al.	
5,057,082 A	10/1991	Burchette, Jr.	6,530,853 B1	3/2003	Giannetti	
5,064,202 A	11/1991	Barner	6,540,628 B1	4/2003	Musacchia, Jr.	
5,066,021 A	11/1991	DeLucia	6,554,727 B1	4/2003	Armstrong et al.	
5,078,407 A	1/1992	Carlston et al.	6,558,280 B1	5/2003	Kuhn	
5,082,292 A	1/1992	Puckett et al.	6,595,881 B1	7/2003	Grace, Jr. et al.	
5,083,798 A	1/1992	Massey	6,605,012 B2	8/2003	Muller	
5,090,709 A	2/1992	Johnson	6,626,776 B2	9/2003	Barrie et al.	
5,093,995 A	3/1992	Jan	6,663,518 B1	12/2003	Kuhn	
5,100,143 A	3/1992	Puckett	6,669,586 B2	12/2003	Barrie et al.	
5,102,147 A	4/1992	Szeluga	6,684,741 B2	2/2004	Blackston	
5,111,581 A	5/1992	Collins	6,695,726 B1	2/2004	Kuhn	
5,112,063 A	5/1992	Puckett	6,695,727 B1	2/2004	Kuhn	
D326,889 S	6/1992	Garoutte	6,726,581 B2	4/2004	Muller	
5,137,282 A	8/1992	Segar et al.	6,739,991 B1	5/2004	Wardropper	
5,160,148 A	11/1992	Musacchia, Sr.	6,743,128 B2	6/2004	Liechty, II	
5,165,697 A	11/1992	Lauriski et al.	6,749,801 B1	6/2004	Grace, Jr. et al.	
5,172,916 A	12/1992	Puckett	6,754,954 B1	6/2004	Decker	
5,178,398 A	1/1993	Eddy	6,755,758 B2	6/2004	Liechty, II	
5,178,399 A	1/1993	Garoutte	6,793,596 B1	9/2004	Sullivan et al.	
5,188,373 A	2/1993	Ferguson et al.	6,830,523 B1	12/2004	Kuhn	
D342,303 S	12/1993	Johnson	6,887,172 B2	5/2005	Arasmith	
5,286,035 A	2/1994	Ward	6,910,979 B2	6/2005	Barrie et al.	
5,322,297 A	6/1994	Smith	6,918,848 B2	7/2005	Kuhn	
5,342,382 A	8/1994	Brinkerhoff et al.	6,935,976 B1	8/2005	Grace, Jr. et al.	
5,372,588 A	12/1994	Farley et al.	6,939,258 B2	9/2005	Muller	
5,385,572 A	1/1995	Nobles et al.	6,942,551 B2	9/2005	Mizek et al.	
5,417,440 A	5/1995	Barrie et al.	6,942,588 B2	9/2005	Barrie	
5,439,231 A	8/1995	Roberts et al.	6,966,856 B1	11/2005	Hajek	
D363,108 S	10/1995	Johnson	6,997,827 B1	2/2006	Grace, Jr. et al.	
5,458,241 A	10/1995	Brown	7,011,589 B2 *	3/2006	Davis F42B 6/08 473/584	
5,458,341 A	10/1995	Forrest et al.	7,025,697 B2	4/2006	Mizek et al.	
5,472,213 A	12/1995	Dudley	7,037,222 B2	5/2006	Mizek et al.	
5,482,293 A	1/1996	Lekavich	7,179,182 B2 *	2/2007	Summers F42B 6/08 473/583	
5,482,294 A	1/1996	Sullivan et al.	7,226,375 B1	6/2007	Sanford	
5,496,042 A	3/1996	Craft et al.	7,234,220 B1	6/2007	Grace, Jr.	
5,496,043 A	3/1996	Ester	7,410,434 B2 *	8/2008	Perkins, Sr. F42B 6/08 473/584	
D370,246 S	5/1996	Johnson	7,422,533 B1	9/2008	Johnson	
5,564,713 A	10/1996	Mizek et al.	D583,897 S	12/2008	Ward	
5,624,459 A	4/1997	Kortenbach et al.	7,713,151 B2	5/2010	Fulton	
5,636,845 A	6/1997	Newnam	7,771,297 B2	8/2010	Kuhn	
5,649,706 A	7/1997	Treat, Jr. et al.	7,771,298 B2	8/2010	Pulkrabek	
D385,327 S	10/1997	Delmonte	7,905,802 B2	3/2011	Erhard	
5,803,844 A	9/1998	Anderson	7,951,023 B2	5/2011	Perkins, Jr.	
5,803,845 A	9/1998	Anderson	8,016,703 B1	9/2011	Kronengold et al.	
5,803,944 A	9/1998	Domka	8,147,360 B2	4/2012	Simo et al.	
5,820,498 A	10/1998	Maleski	8,147,361 B1	4/2012	Weaver	
5,857,930 A	1/1999	Troncoso	8,182,378 B1	5/2012	Futtere	
5,871,410 A	2/1999	Simo et al.	8,197,367 B2	6/2012	Pulkrabek et al.	
5,879,252 A	3/1999	Johnson	D663,004 S	7/2012	Isringhausen	
5,931,751 A	8/1999	Cooper	8,210,971 B1 *	7/2012	Fulton F42B 6/08 473/583	
5,941,784 A	8/1999	Mizek	D674,864 S *	1/2013	Ward D22/115	
6,015,357 A	1/2000	Rizza	8,398,510 B1	3/2013	Mizek et al.	
6,027,421 A	2/2000	Adams, Jr.	RE44,144 E	4/2013	Barrie et al.	
6,077,179 A	6/2000	Liechty, II	8,469,842 B2	6/2013	Mizek et al.	
6,165,086 A	12/2000	Liechty, II	8,469,843 B2	6/2013	Mizek et al.	
6,171,206 B1	1/2001	Liechty, II	8,545,349 B1 *	10/2013	Budris F42B 6/08 473/582	
6,172,206 B1	1/2001	Schneider et al.	8,684,869 B1 *	4/2014	Perry F42B 6/08	
6,174,252 B1	1/2001	Mizek				

(56)

References Cited

U.S. PATENT DOCUMENTS

				473/583
8,758,176	B2	6/2014	Pedersen	
D710,962	S *	8/2014	Pedersen	D22/107
D711,489	S	8/2014	Pedersen	
D713,919	S	9/2014	Rager	
8,911,311	B1 *	12/2014	Mizek	F42B 6/08 473/583
8,986,141	B2	3/2015	Pedersen	
9,068,806	B2	6/2015	Pedersen	
2001/0006916	A1	7/2001	Liechty	
2001/0036876	A1	11/2001	Barrie et al.	
2002/0055404	A1	5/2002	Liechty	
2002/0065155	A1	5/2002	Liechty	
2002/0098926	A1	7/2002	Liechty	
2002/0128096	A1	9/2002	Muller	
2002/0151393	A1	10/2002	Liechty	
2002/0151394	A1	10/2002	Arasmith	
2003/0004021	A1	1/2003	Barrie et al.	
2003/0022741	A1	1/2003	Muller	
2003/0073525	A1	4/2003	Liechty	
2003/0153417	A1	8/2003	Barrie et al.	
2003/0236141	A1	12/2003	Kuhn	
2004/0048704	A1	3/2004	Arasmith	
2004/0092342	A1	5/2004	Perkins	
2004/0138016	A1	7/2004	Kuhn	
2004/0142778	A1	7/2004	Mizek et al.	
2004/0198540	A1	10/2004	Mizek et al.	
2006/0052191	A1	3/2006	Mizek et al.	
2007/0037640	A1	2/2007	Rager	
2007/0157986	A1	7/2007	Lammers	
2007/0161438	A1 *	7/2007	Fulton	F42B 6/08 473/583
2008/0009893	A1	1/2008	LeVaughn	
2008/0254925	A1 *	10/2008	Odabachian	F42B 6/08 473/584
2009/0162164	A1	6/2009	Bohl	
2010/0113196	A1	5/2010	Jones	
2010/0173734	A1 *	7/2010	Robbins	F42B 6/08 473/584
2012/0165142	A1	6/2012	Grace	
2012/0178560	A1 *	7/2012	Grace	F42B 6/08 473/583
2014/0187364	A1 *	7/2014	Hand	F42B 6/08 473/583
2014/0194234	A1 *	7/2014	Miles	F42B 6/08 473/583
2016/0047637	A1 *	2/2016	Salvino	F42B 6/08 473/583
2016/0074932	A1 *	3/2016	Mizek	B22D 17/00 164/69.1

OTHER PUBLICATIONS

PCT International Search Report (PCT Article 18 and Rules 43 and 44) for PCT/US2013/076119, Mar. 11, 2014.
 PCT Written Opinion of the International Searching Authority (PCT Rule 43bis.1) for PCT/US2013/076119, Mar. 11, 2014.
 PCT International Search Report (PCT Article 18 and Rules 43 and 44) for PCT/US2013/075782, Mar. 19, 2014.
 PCT Written Opinion of the International Searching Authority (PCT Rule 43bis.1) for PCT/US2013/075782, Mar. 19, 2014.
 PCT International Preliminary Report on Patentability for PCT/US2013/075782, Jun. 23, 2015.
 PCT International Preliminary Report on Patentability for PCT/US2013/076119, Jul. 7, 2015.
 Action Closing Prosecution (nonfinal), mailed by the USPTO on May 21, 2012 in case Control No. 95/001,854 filed Dec. 14, 2011.
 Bowhunting Equipment Buyers Guide, 1997, 3pp.
 "Bowhunting Tactics," Petersen's Bowhunting Magazine, Oct. 18, 2004, 5 pp., www.outdoorsbest.com.
 Bowhunting World, Feb. 1997, 2 pp.

Bowhunting World: Bowhunting Guide '89-'90, vol. 38, No. 7, 2 pp., 1989-1990 edition.
 Bowhunting World: Equipment Guide '94, vol. 43, No. 5, Jul. 1994, 3 pp.
 "Broadhead Collecting—As Easy As A.B.C.C.," Stickbow.com, Copyright 2002, 8 pp.
 D. H. Pauley letter to R. L. Rainey regarding Reissue U.S. Appl. No. 11/823,458; letter dated Aug. 2, 2011.
 D. H. Pauley letter to R. L. Rainey regarding Reissue U.S. Appl. No. 11/823,458; letter dated Aug. 31, 2011.
 Declaration of Andy Simo to Establish date of Invention Prior to Critical date of U.S. Appl. No. 11/823,458; Declaration dated Aug. 31, 2011.
 Declaration of Bob Mizek to Establish date of Invention Prior to Critical date of U.S. Appl. No. 11/823,458; Declaration dated Aug. 31, 2011.
 Declaration of Chris Kozlik to Establish date of Invention Prior to Critical date of U.S. Appl. No. 11/823,458; Declaration dated Aug. 31, 2011.
 Email from A. Simo to R. Krause, dated Sep. 14, 2011.
 Email from A. Simo to R. Krause, dated Sep. 19, 2011, and related emails.
 Email from Andy Simo to Rich Krause, dated Sep. 28, 2011.
 Email from D. Pauley to G. Discher, dated Sep. 13, 2011.
 Email from J. Fowler to D. Pauley, dated Aug. 19, 2011, and related emails.
 Email from R. Krause to A. Simo, dated Sep. 16, 2011.
 Email from R. Krause to A. Simo, dated Sep. 20, 2011.
 Email from R. Krause to A. Simo, dated Sep. 28, 2011, and related email.
 Email from rmizek@newarchery to B. Barrie, re: Amo Show; dated Jan. 30, 2001.
 Email with two (2) attachments from A. Simo to R. Krause, dated Sep. 22, 2011.
Field Logic v. G5 Outdoors, No. 06cv01724 Defendant's Prior Art Chart (12 pages), dated Jun. 27, 2007.
 New Archery Products Corp. ("NAP"), letter from A. Simo to R. Krause regarding U.S. Pat. Nos. 6,517,454, 6,626,776, and 6,910,979; letter dated Jul. 22, 2011.
 "New Products for 1997," Rich Walton's Industry News, 9 pp., <http://www.bowhunting.net/richwalton/97newproducts.html>.
 Order for Dismissal Without Prejudice, May 8, 2009.
 Petition Under 37 C.F.R. § 1.182 and/or § 1.183, a Protest Under 37 C.F.R. § 1.291(a) with Exhibits 1-5, and Declaration of Robert Mizek Under 37 C.F.R. § 1.132, initially submitted to the USPTO on Jan. 31, 2012 by Mr. Allan A. Fanucci.
 Plaintiff Out Rage LLC's Identification of Asserted Claims and Accused Products, dated Feb. 3, 2012.
 R. L. Rainey letter to A. Simo, dated Aug. 1, 2011.
 R. L. Rainey letter to D. H. Pauley, dated Aug. 17, 2011.
 Request for Inter Partes Reexamination of U.S. Pat. No. 6,626,776, filed Dec. 14, 2011.
 Response to Office Action in Inter Partes Reexamination under 37 C.F.R. § 1.945 and M.P.E.P. § 2666, filed in the USPTO on Mar. 28, 2012 in Control No. 95/001,854, filed Dec. 14, 2011.
 Stipulation for Dismissal Without Prejudice, May 6, 2009.
 Third Party Requester's Comments to Patent Owner's Reply of Mar. 28, 2012 Pursuant to 37 C.F.R. § 1.947, dated Apr. 27, 2012.
 Two photographs which are duplications of original photograph, taken of expandable broadheads of the same construction as those that were shown in the photograph provided with the email from rmizek@newarchery to B. Barrie, dated Jan. 30, 2001.
 Office Action issued in U.S. Appl. No. 11/823,458 dated Oct. 28, 2008.
 Office Action (final) issued in U.S. Appl. No. 11/823,458 dated May 29, 2009.
 Advisory Action issued in U.S. Appl. No. 11/823,458 dated Jul. 24, 2009.

(56)

References Cited

OTHER PUBLICATIONS

Advisory Action issued in U.S. Appl. No. 11/823,458 dated Sep. 10, 2009.

Office Action issued in U.S. Appl. No. 11/823,458 dated Feb. 4, 2010.

* cited by examiner

Primary Examiner — Michael A Pratt

(74) *Attorney, Agent, or Firm* — Winthrop & Weinstine, P.A.

(57)

CLAIM

The ornamental design for a broadhead arrowhead having both expandable and fixed cutting blades, as shown and described.

DESCRIPTION

FIG. 1 is a front view of an expandable broadhead with: a) a ferrule, as shown in FIGS. 18-23, having four fixed blades and a chisel tip with straight cutting edges; b) two expandable blades; and c) a first shock collar retaining the two expandable blades in a retained position;

FIG. 2 is a perspective view of FIG. 1;

FIG. 3 is an exploded perspective view of FIG. 1;

FIG. 4 is a top view of FIG. 1;

FIG. 5 is a front view of the expandable broadhead of FIG. 1, with the two expandable blades in a fully deployed position;

FIG. 6 is a perspective view of FIG. 5;

FIG. 7 is a top view of FIG. 5;

FIG. 8 is a front view of an expandable broadhead with: a) a ferrule, as shown in FIGS. 18-23, having four fixed blades and a chisel tip with straight cutting edges; b) two expandable blades; and c) a second shock collar retaining the two expandable blades in a retained position;

FIG. 9 is a perspective view of FIG. 8;

FIG. 10 is an exploded perspective view of FIG. 8;

FIG. 11 is a front view of an expandable broadhead with: a) a ferrule, as shown in FIGS. 24-29, having four fixed blades and a chisel tip with spiral cutting edges; b) two expandable blades; and c) a second shock collar retaining the two expandable blades in a retained position;

FIG. 12 is a perspective view of FIG. 11;

FIG. 13 is an exploded perspective view of FIG. 11;

FIG. 14 is a top view of FIG. 11;

FIG. 15 is a front view of the expandable broadhead of FIG. 11, with the two expandable blades in a fully deployed position;

FIG. 16 is a perspective view of FIG. 15;

FIG. 17 is a top view of FIG. 15;

FIG. 18 is a side view of an expandable broadhead ferrule, as shown in FIGS. 1-10, with four fixed blades and a chisel tip with straight cutting edges;

FIG. 19 is a cross section view taken along the line 19-19 as shown in FIG. 18;

FIG. 20 is a cross section view taken along the line 20-20 as shown in FIG. 18;

FIG. 21 is a cross section view taken along the line 21-21 as shown in FIG. 18;

FIG. 22 is a cross section view taken along the line 22-22 as shown in FIG. 18;

FIG. 23 is a cross section view taken along the line 23-23 as shown in FIG. 18;

FIG. 24 is a side view of an expandable broadhead ferrule, as shown in FIGS. 11-17, with four fixed blades and a chisel tip with spiral cutting edges;

FIG. 25 is a cross section view taken along the line 25-25 as shown in FIG. 24;

FIG. 26 is a cross section view taken along the line 26-26 as shown in FIG. 24;

FIG. 27 is a cross section view taken along the line 27-27 as shown in FIG. 24;

FIG. 28 is a cross section view taken along the line 28-28 as shown in FIG. 24; and,

FIG. 29 is a cross section view taken along the line 29-29 as shown in FIG. 24.

1 Claim, 17 Drawing Sheets

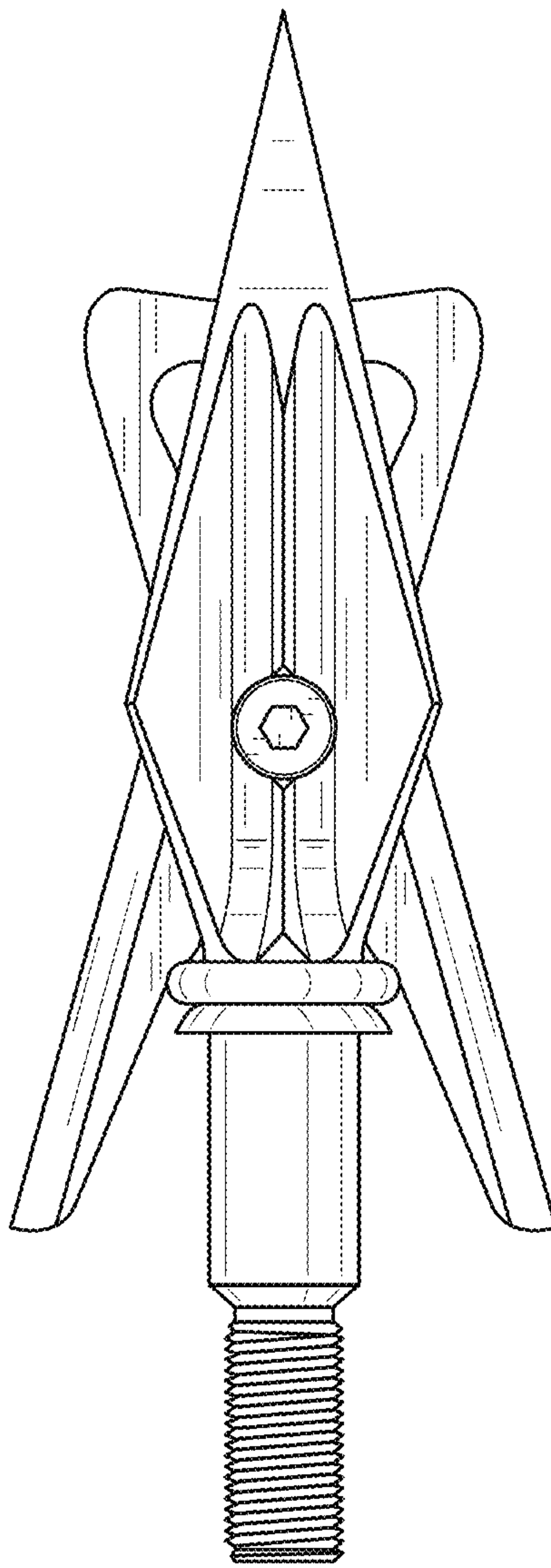


FIG. 1

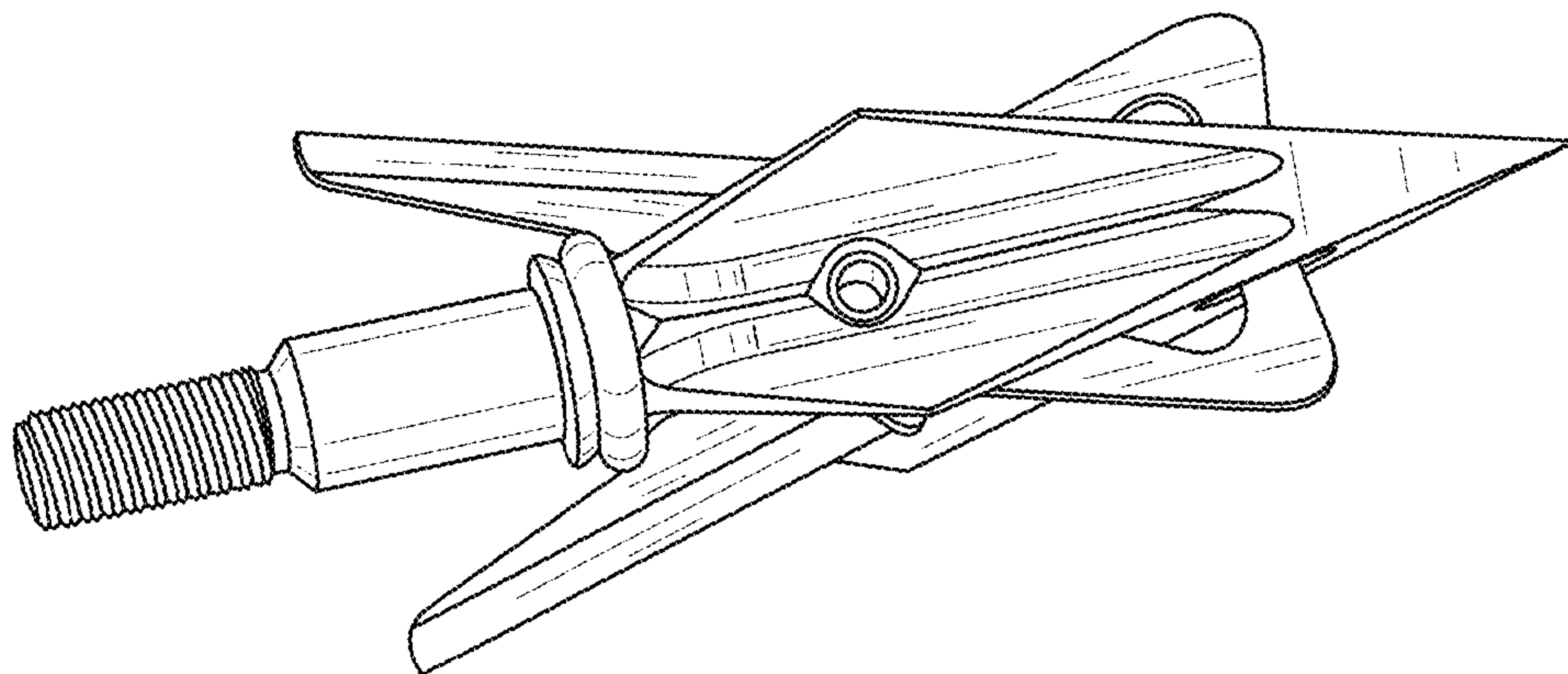


FIG. 2

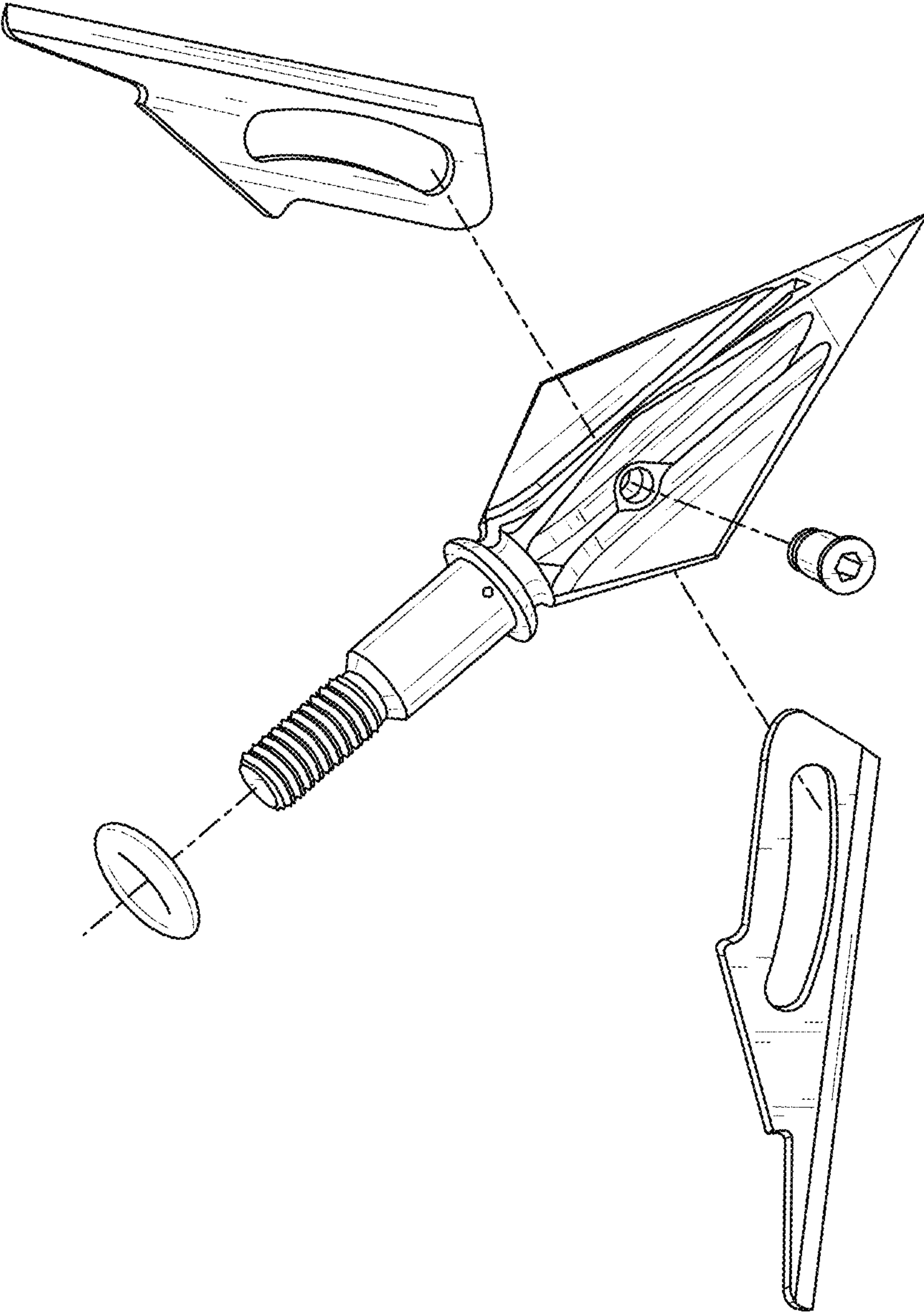


FIG. 3

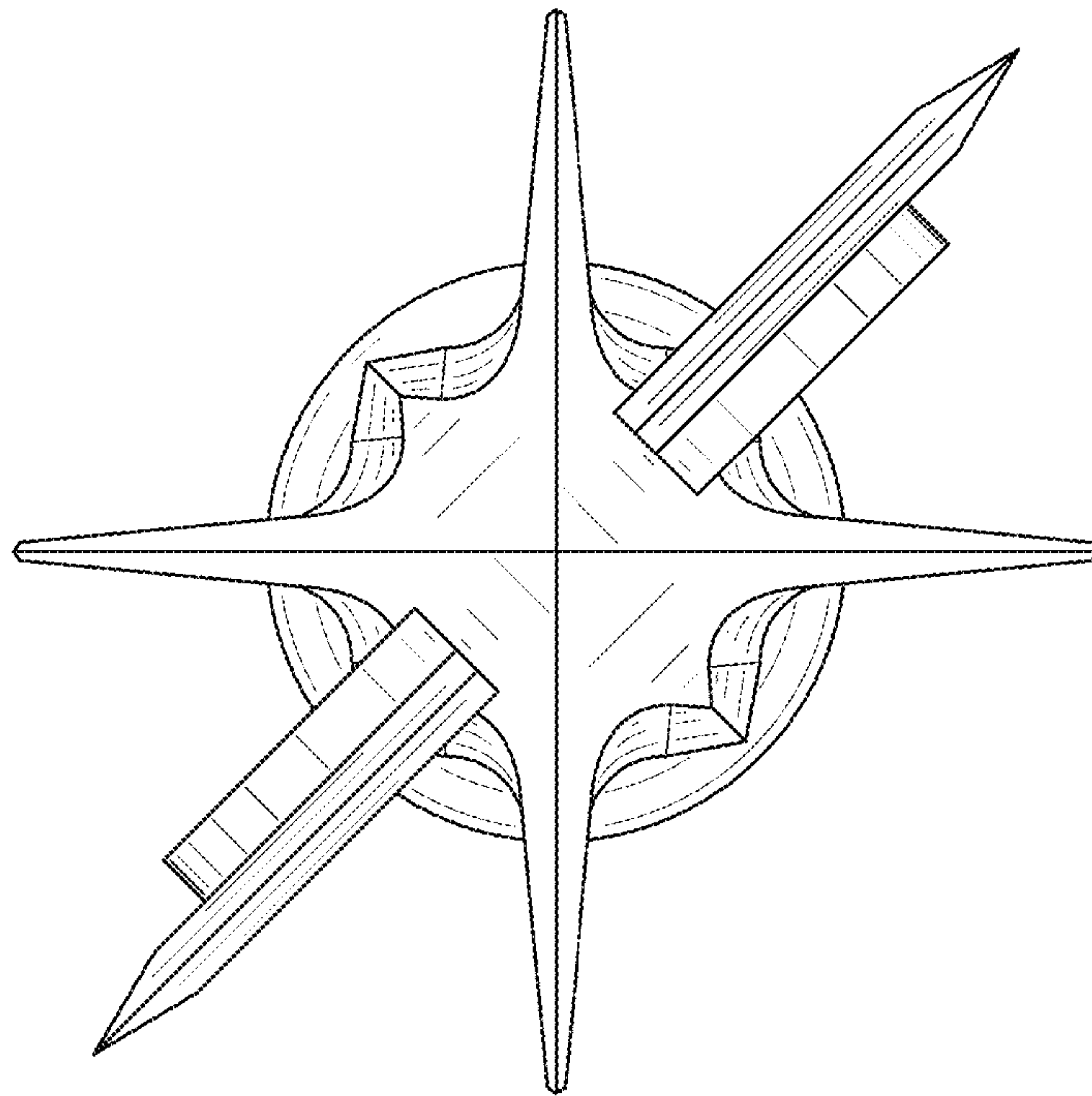


FIG. 4

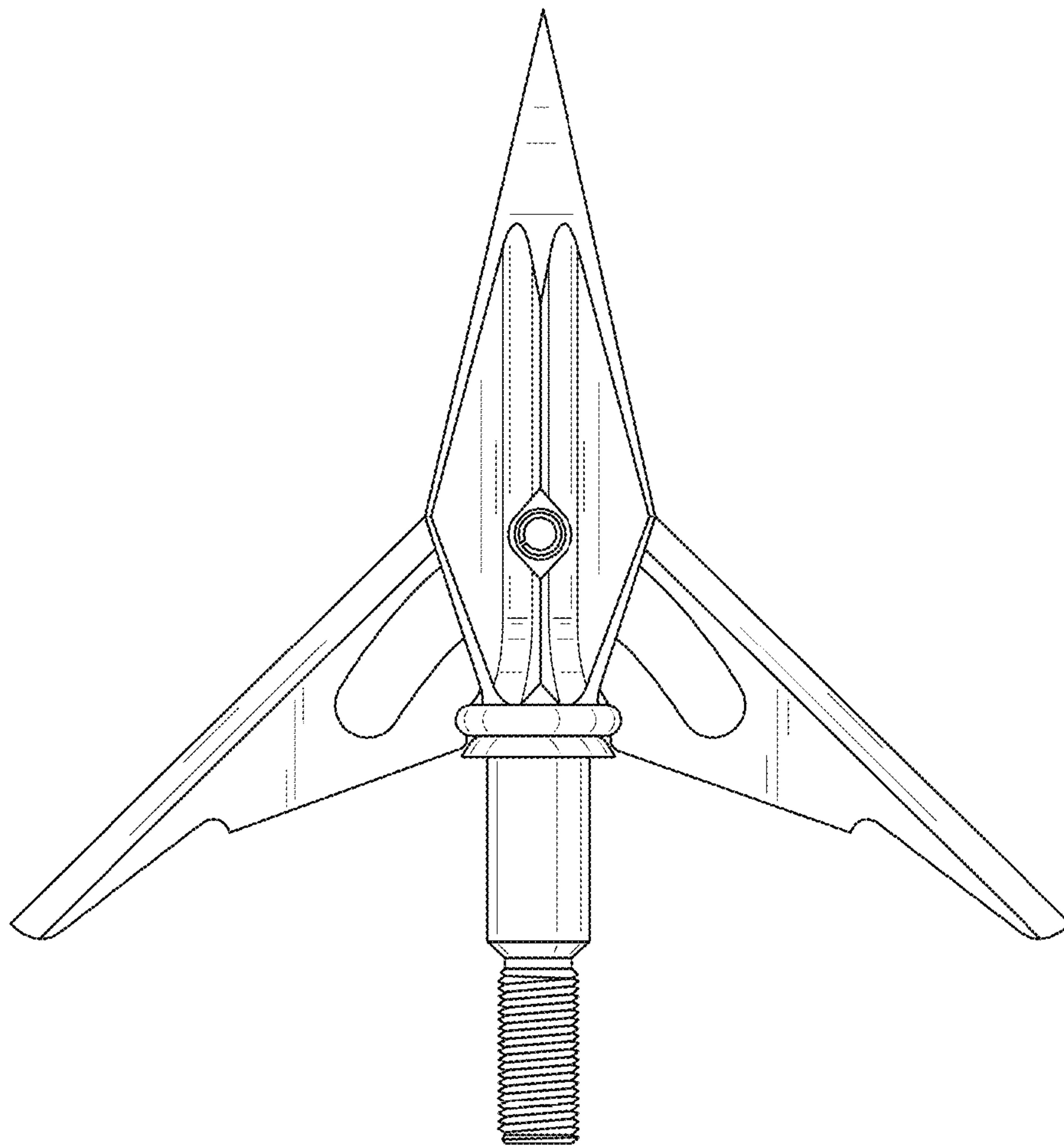


FIG. 5

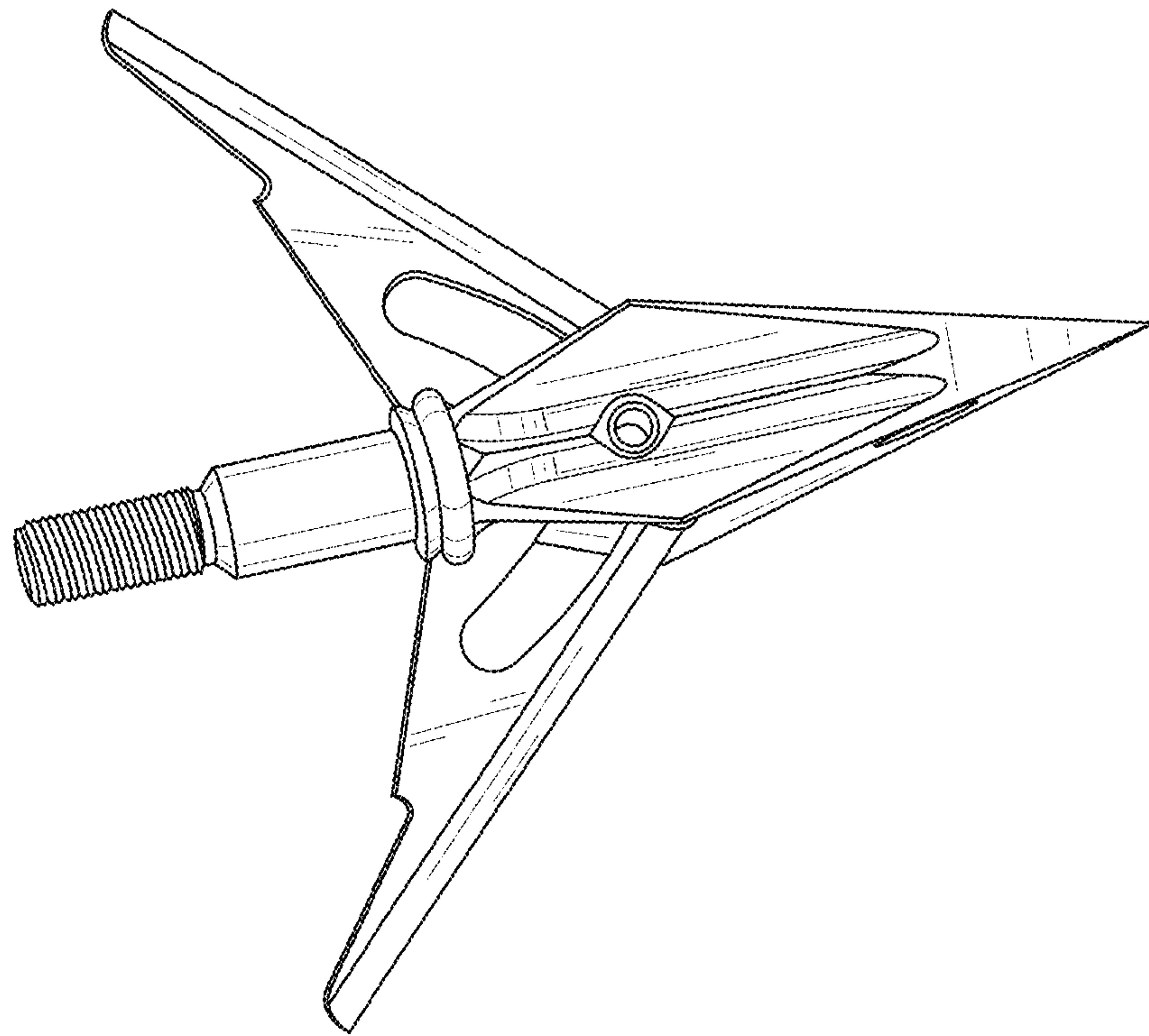


FIG. 6

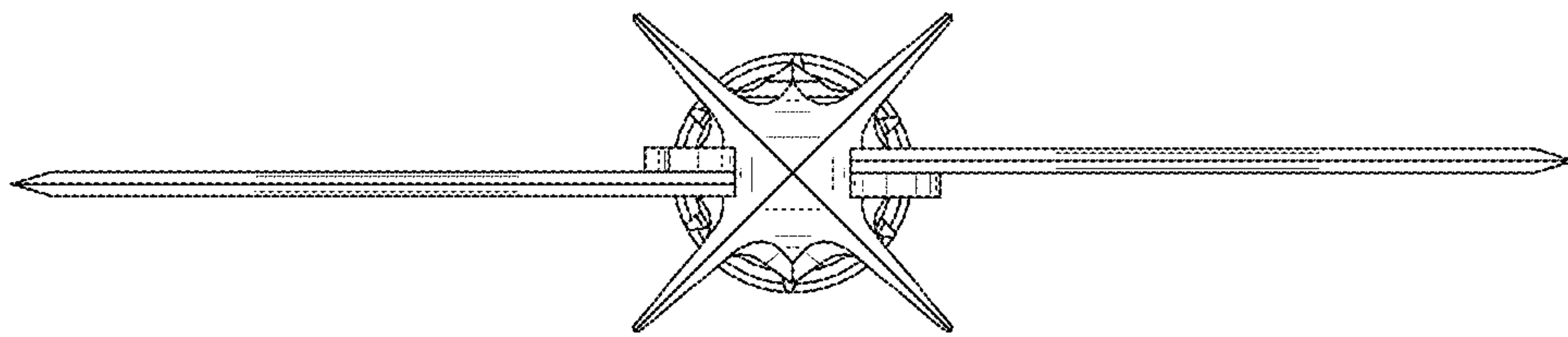


FIG. 7

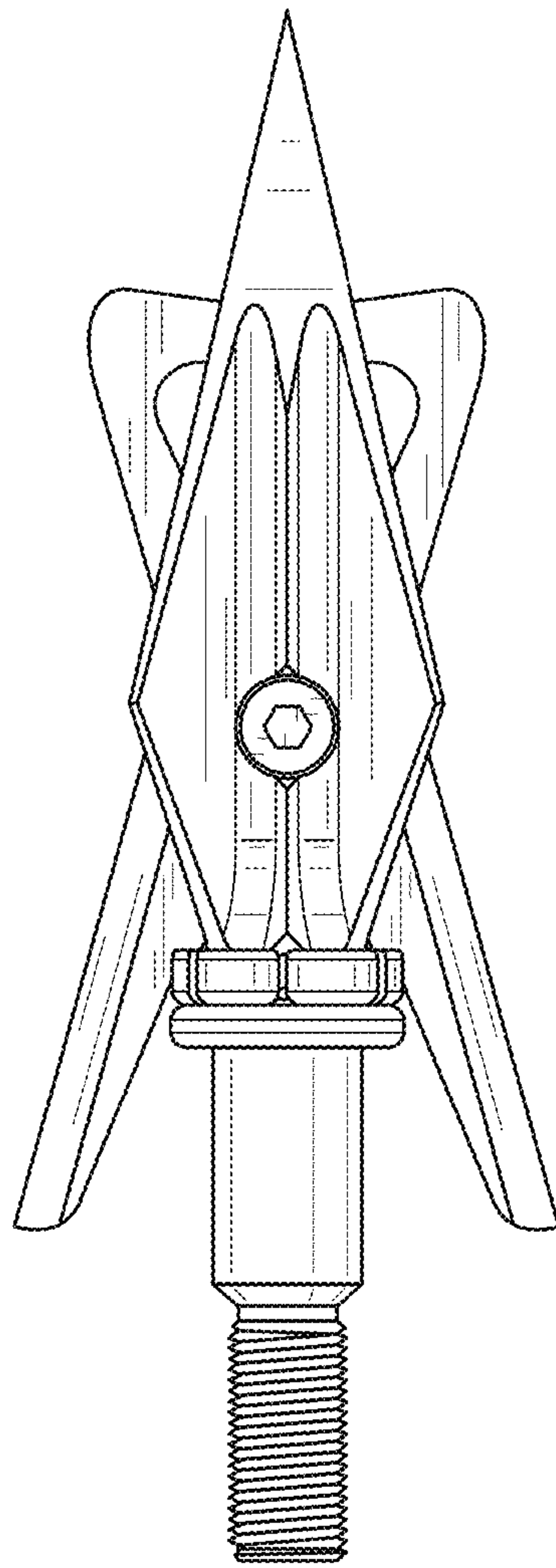


FIG. 8

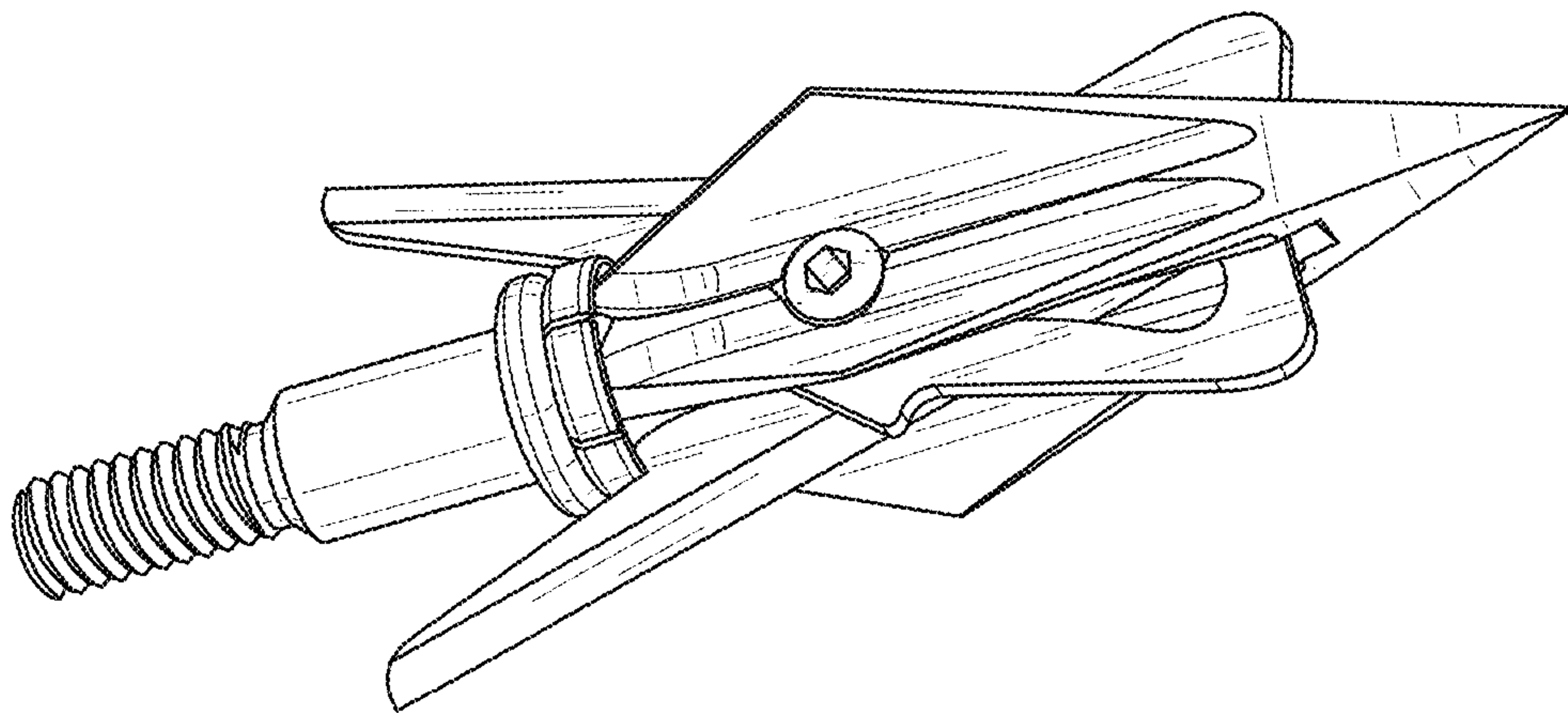


FIG. 9

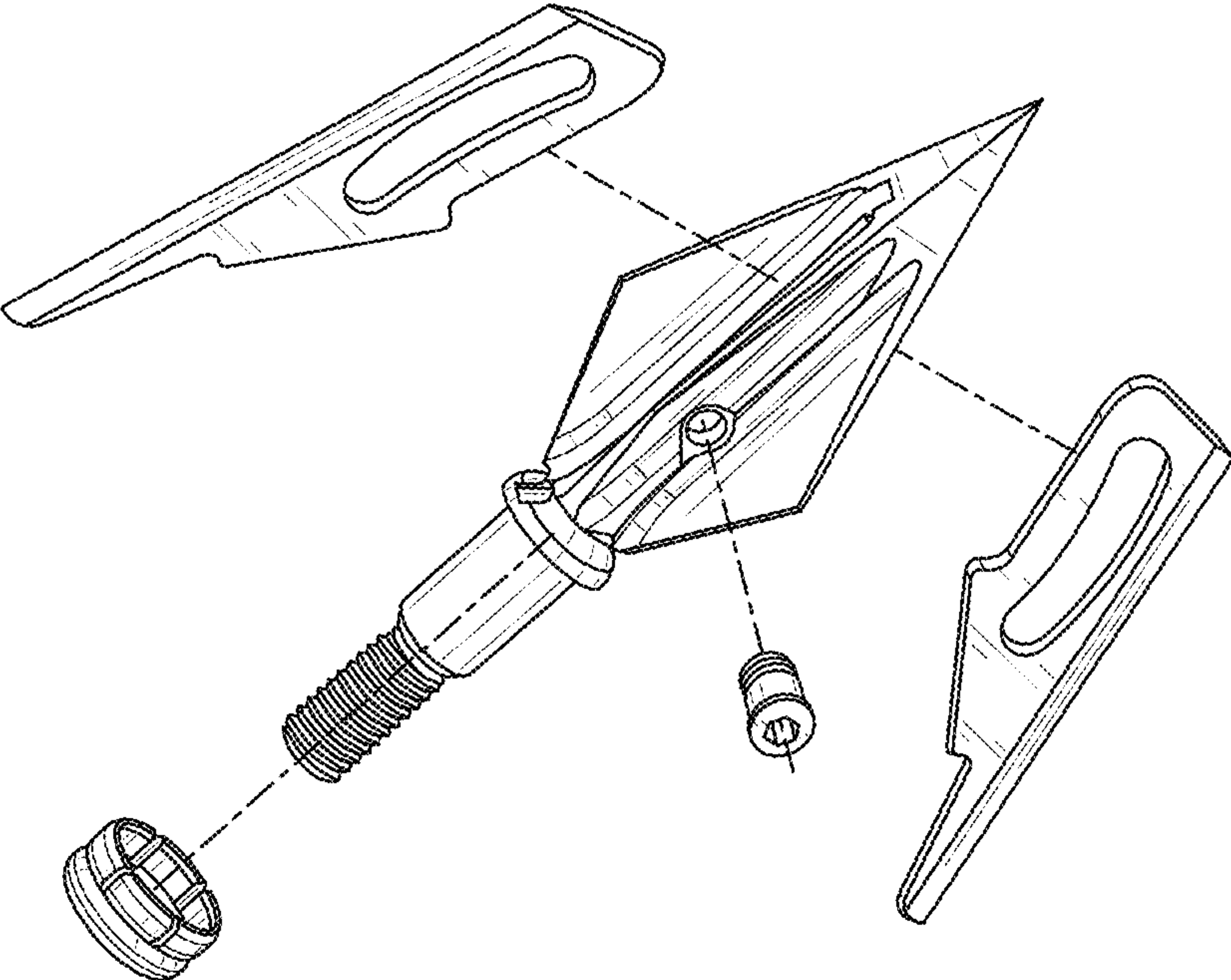


FIG. 10

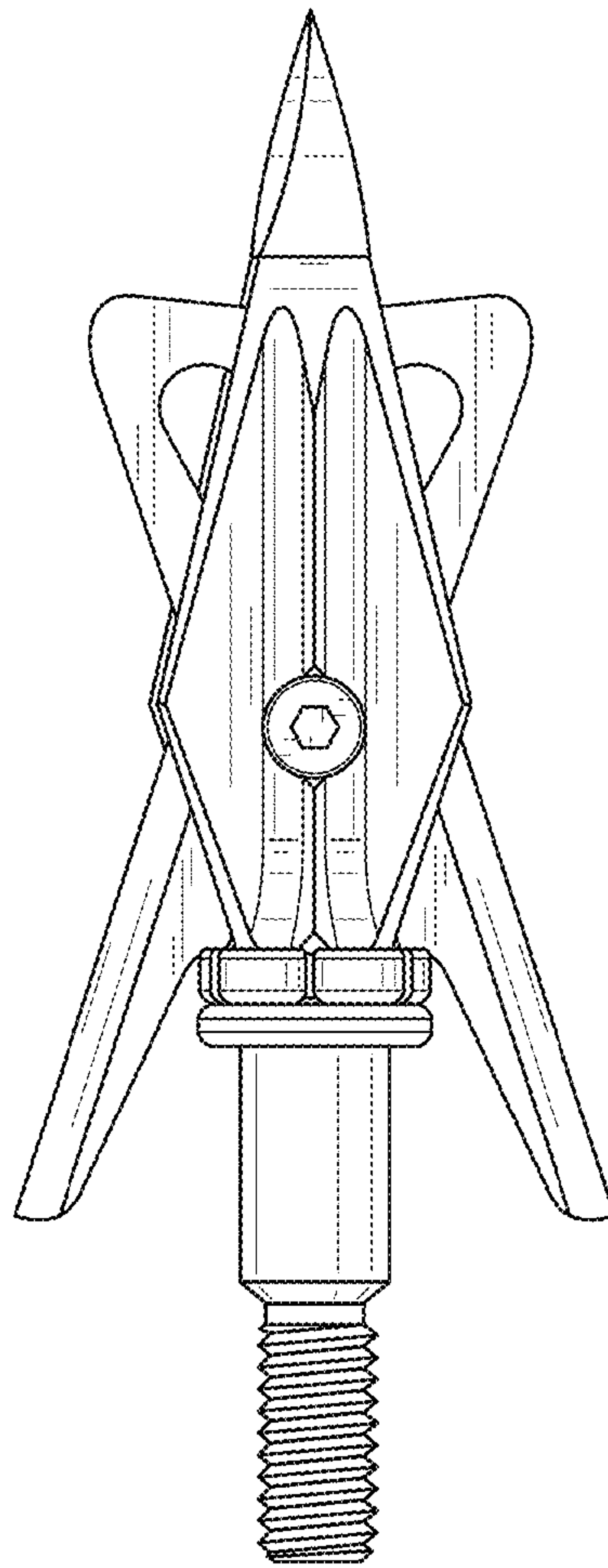


FIG. 11

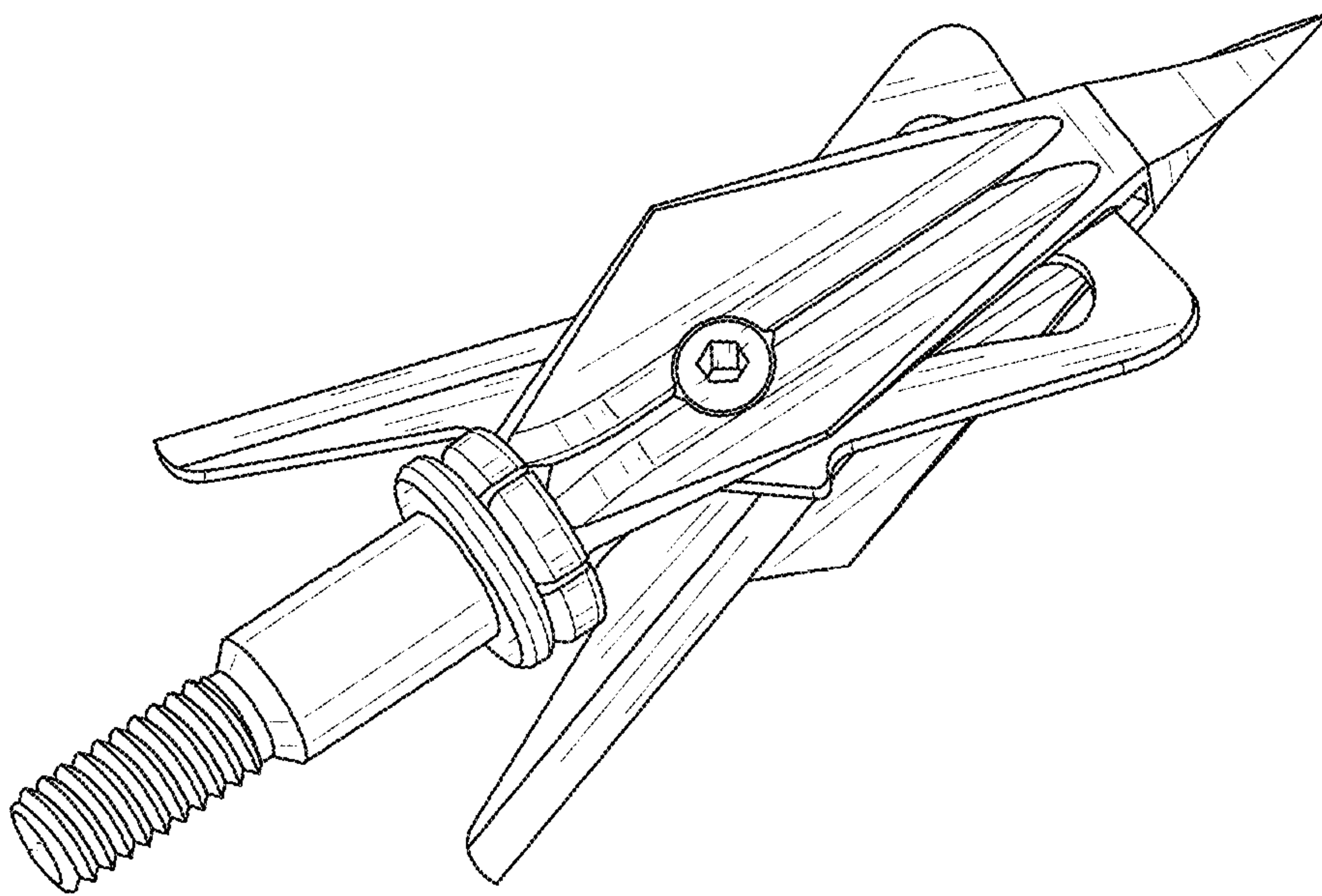


FIG. 12

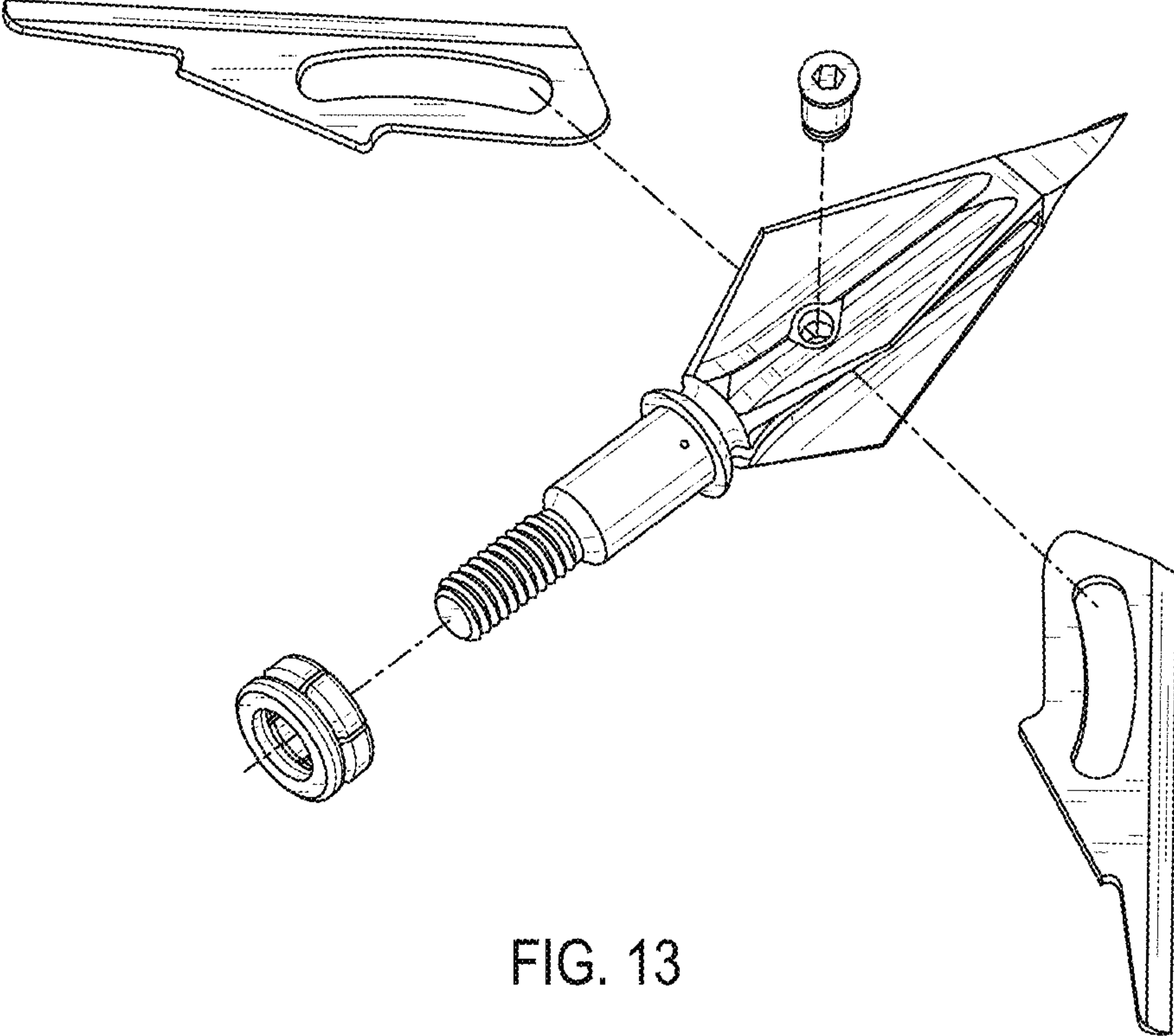


FIG. 13

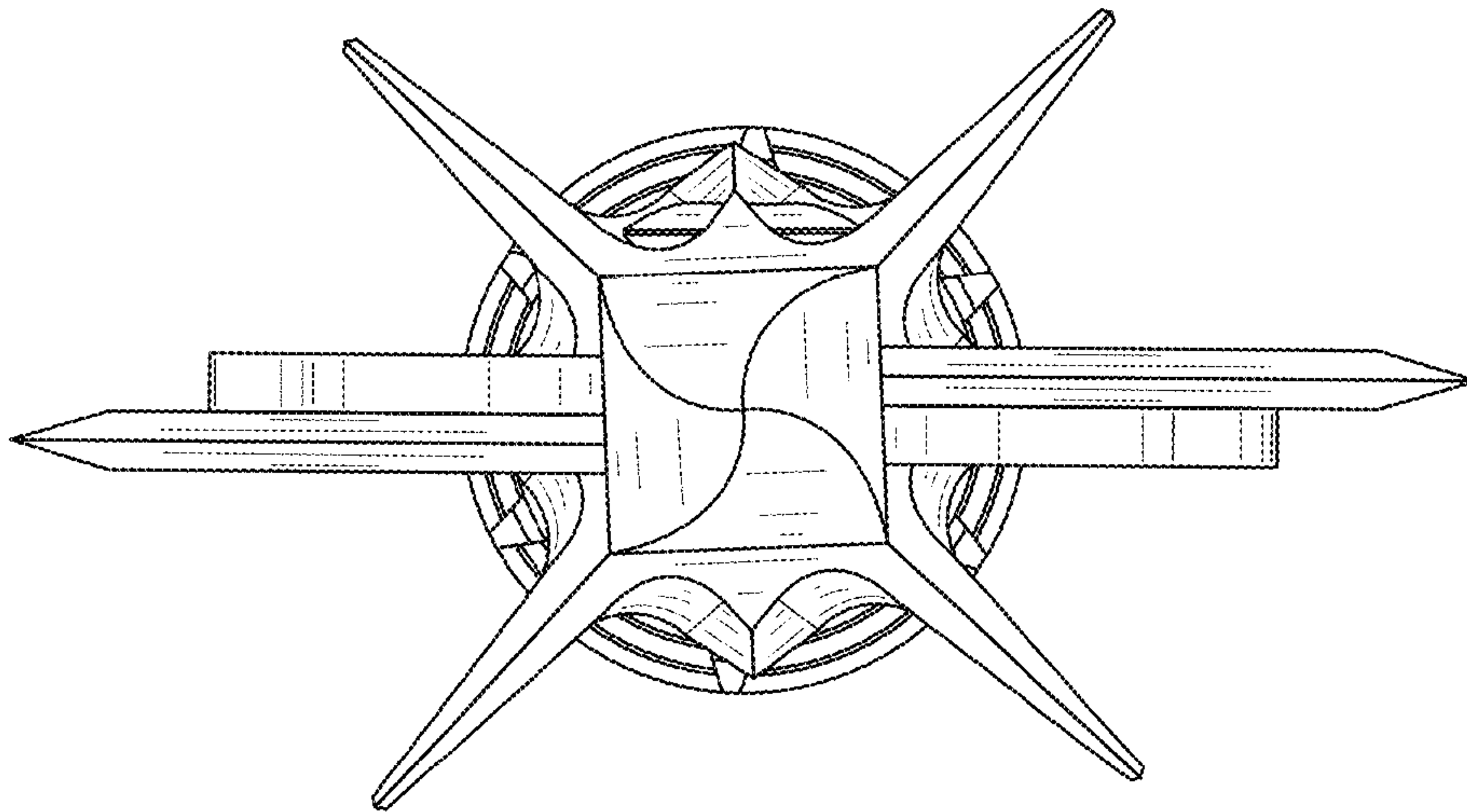


FIG. 14

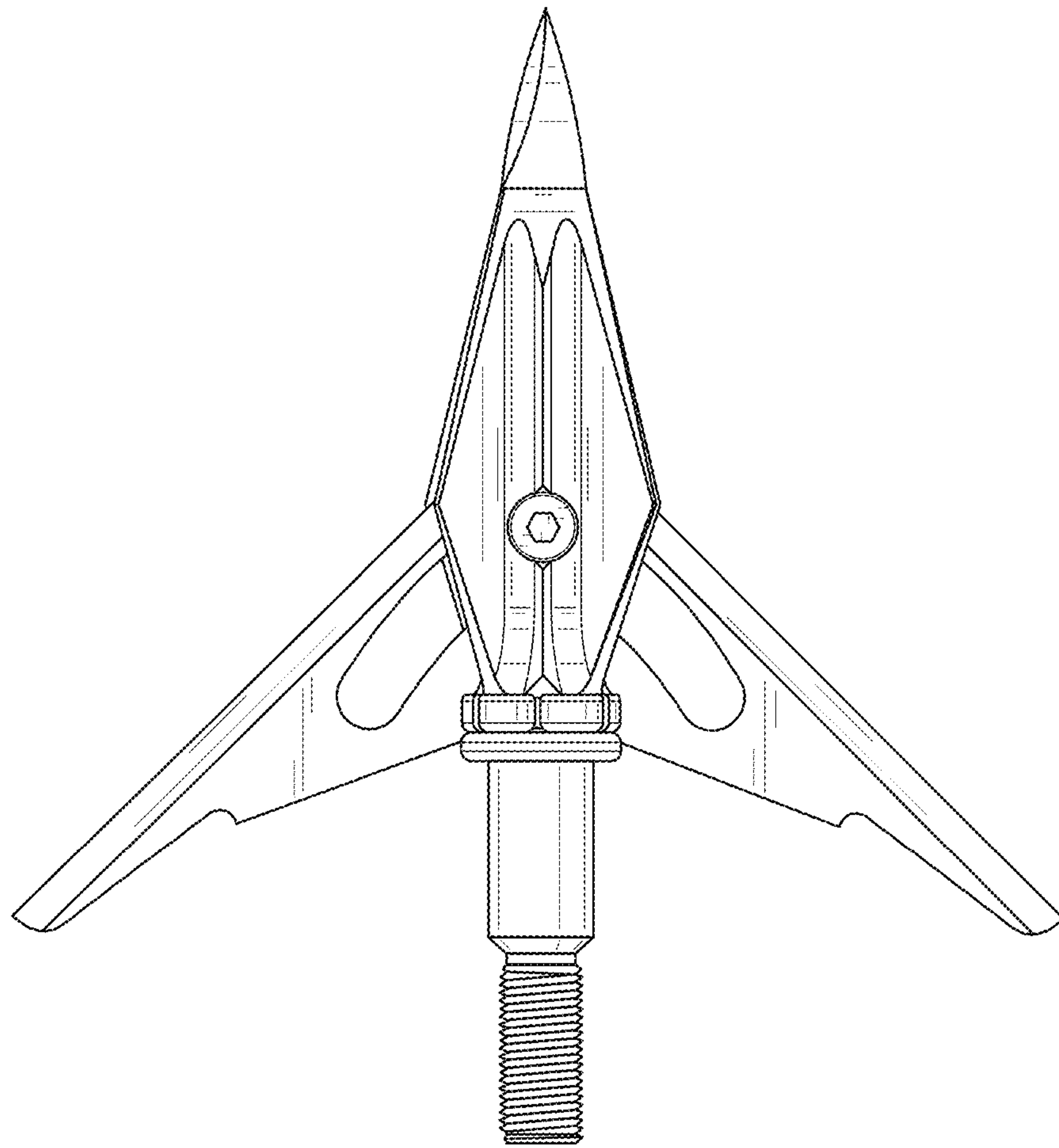


FIG. 15

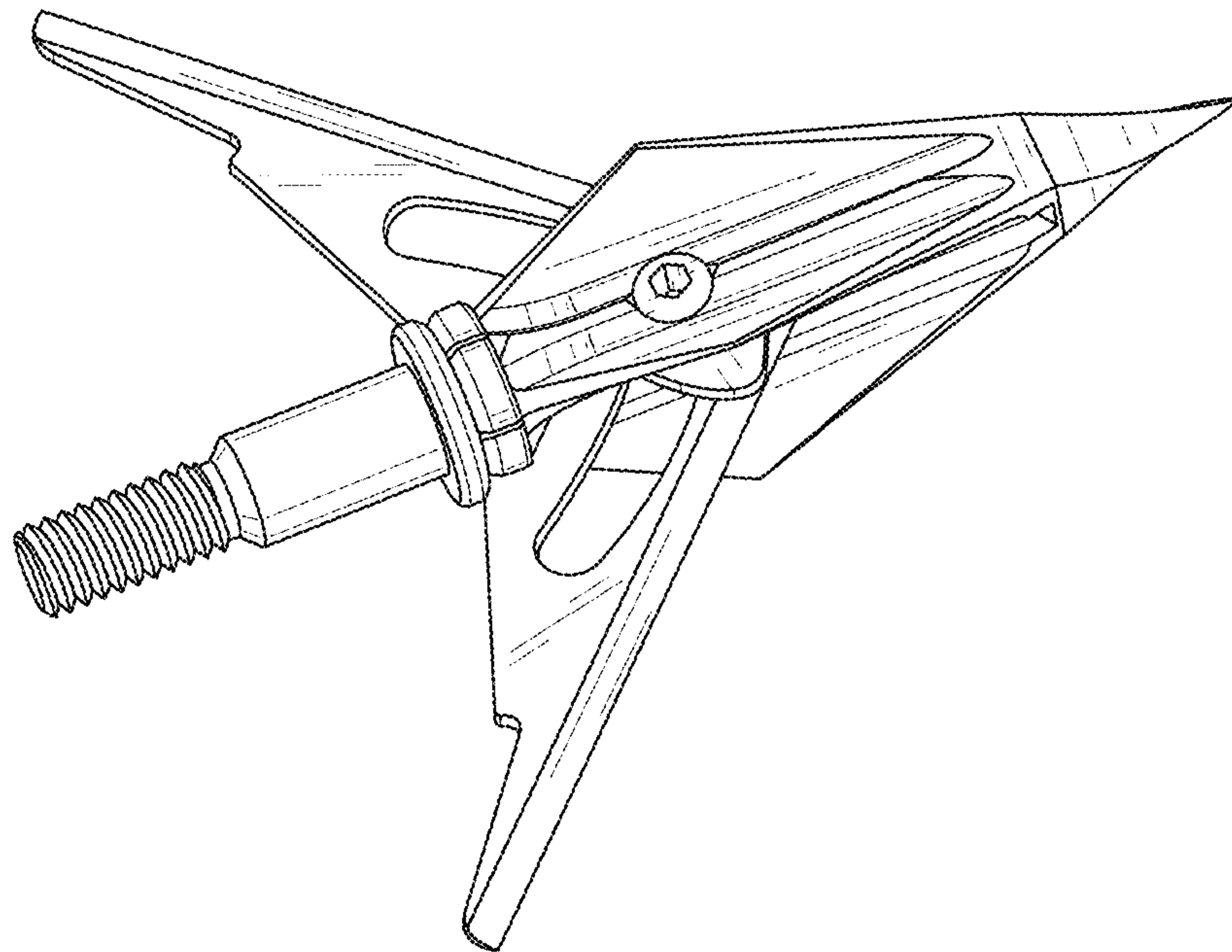


FIG. 16

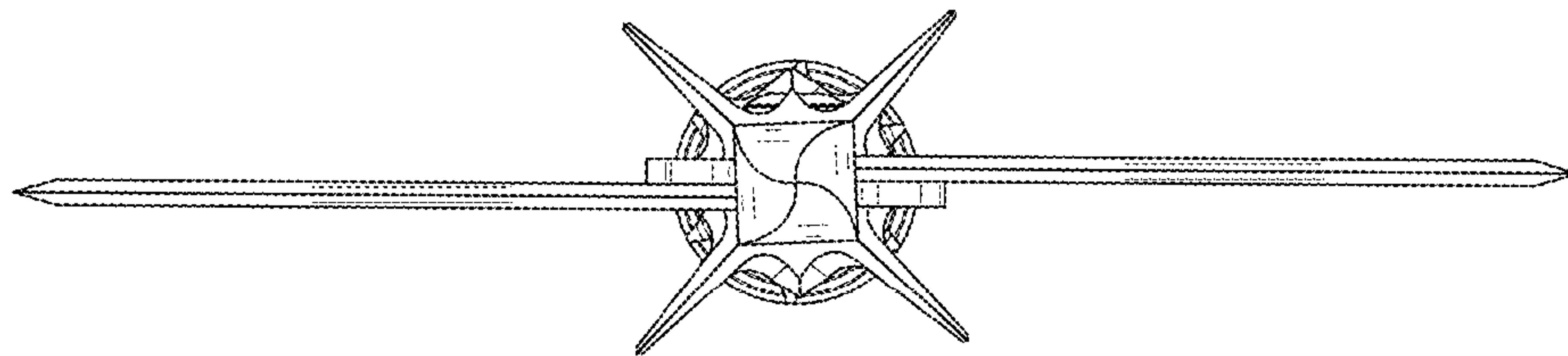


FIG. 17

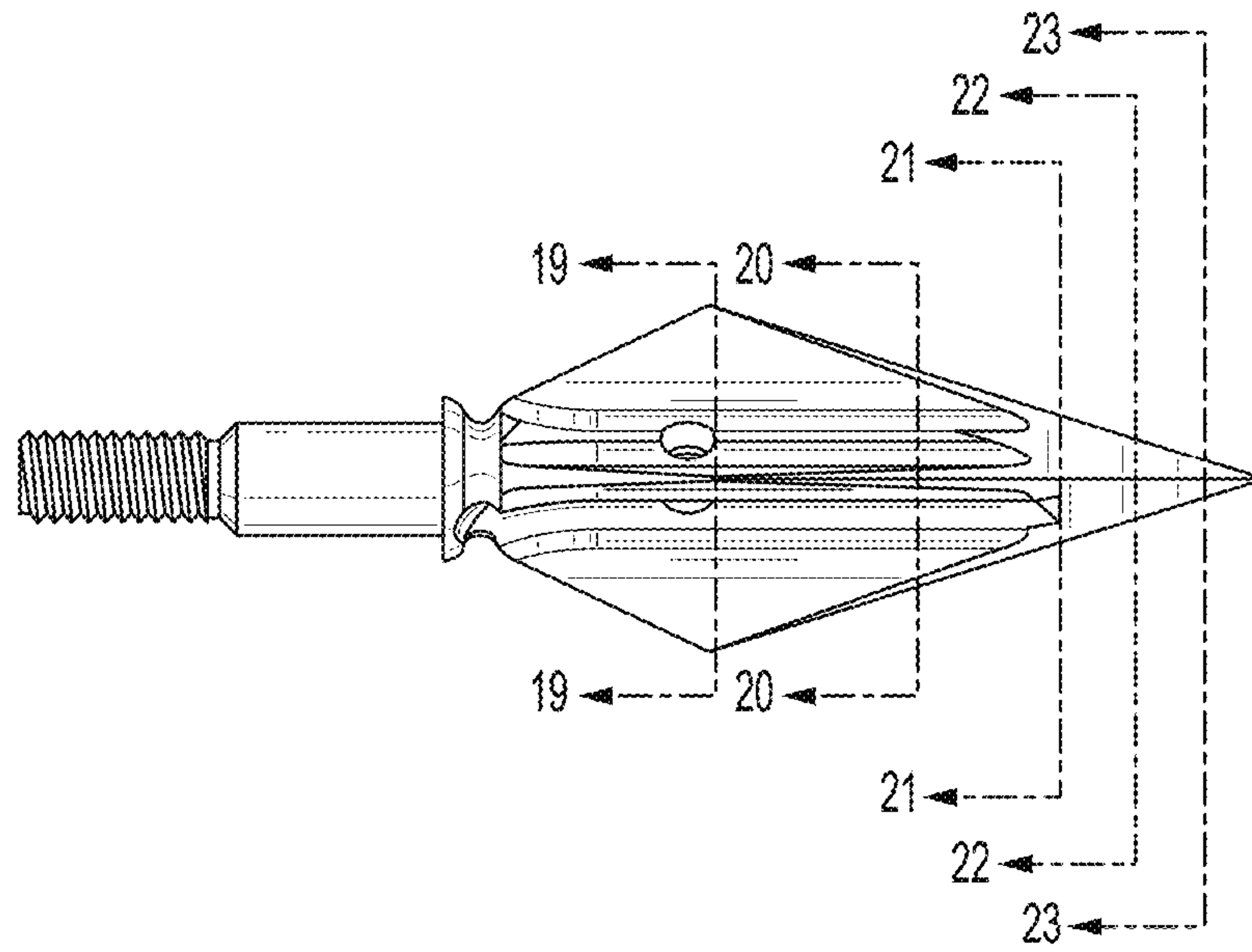


FIG. 18

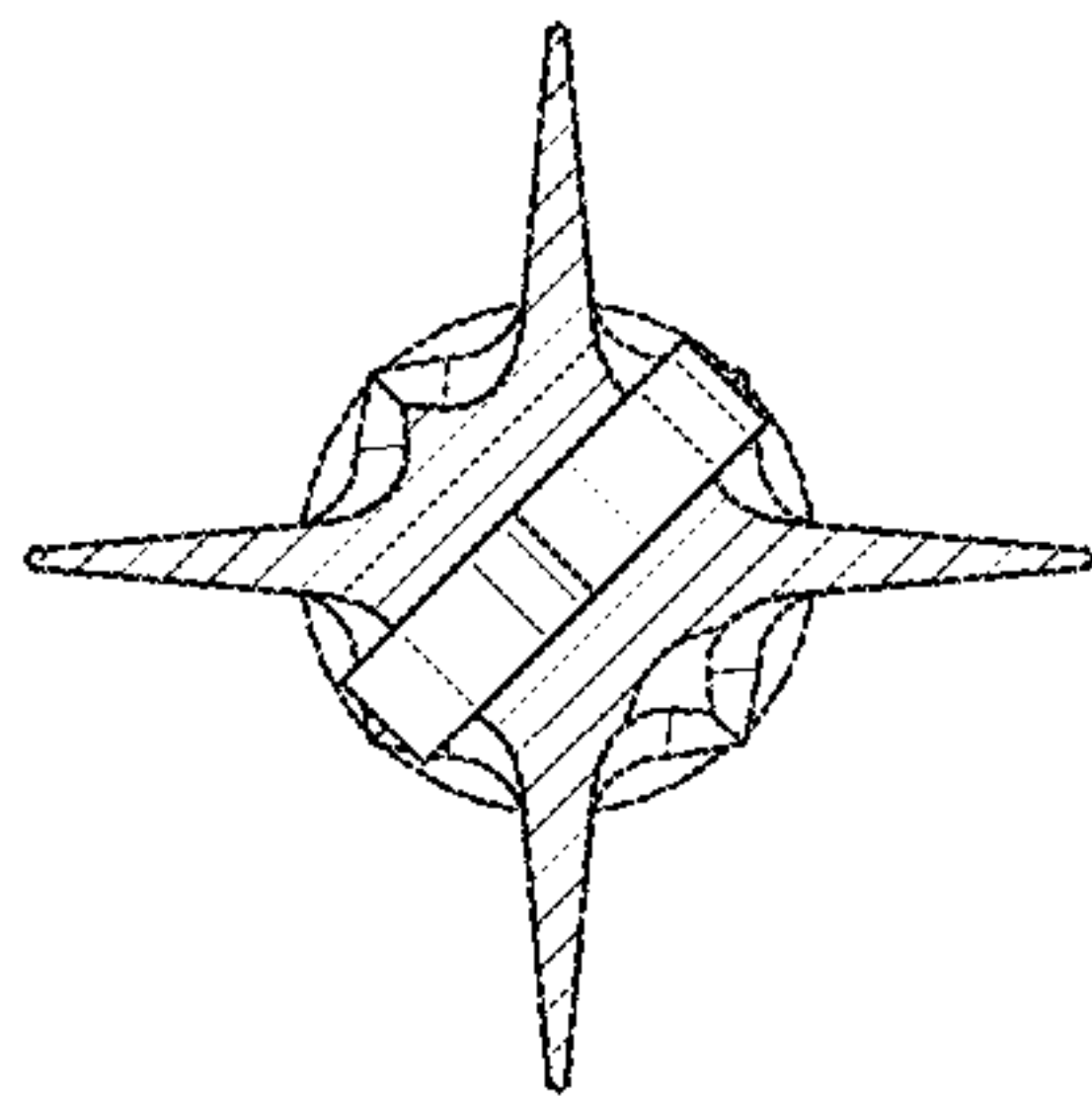


FIG. 19

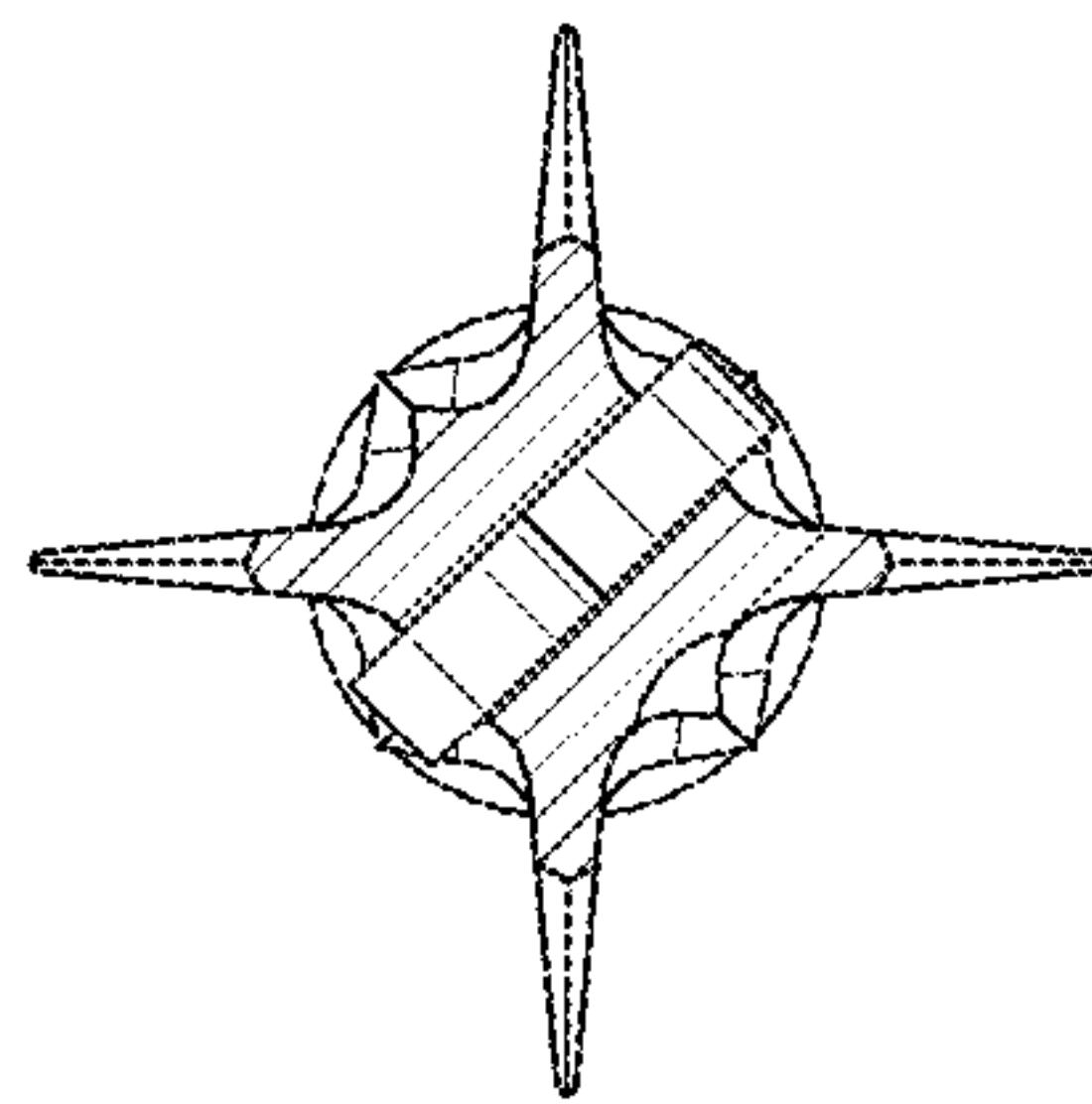


FIG. 20

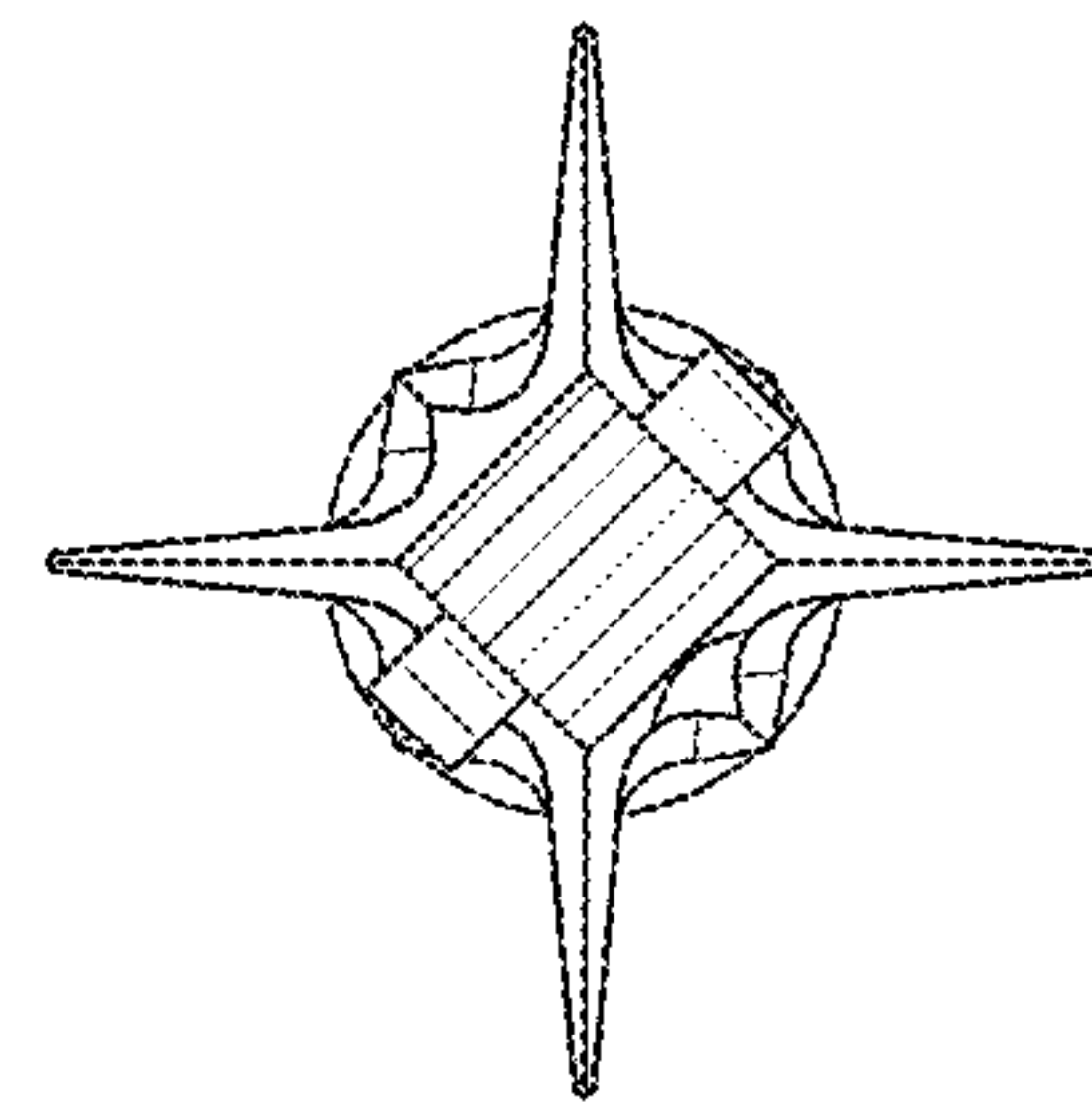


FIG. 21

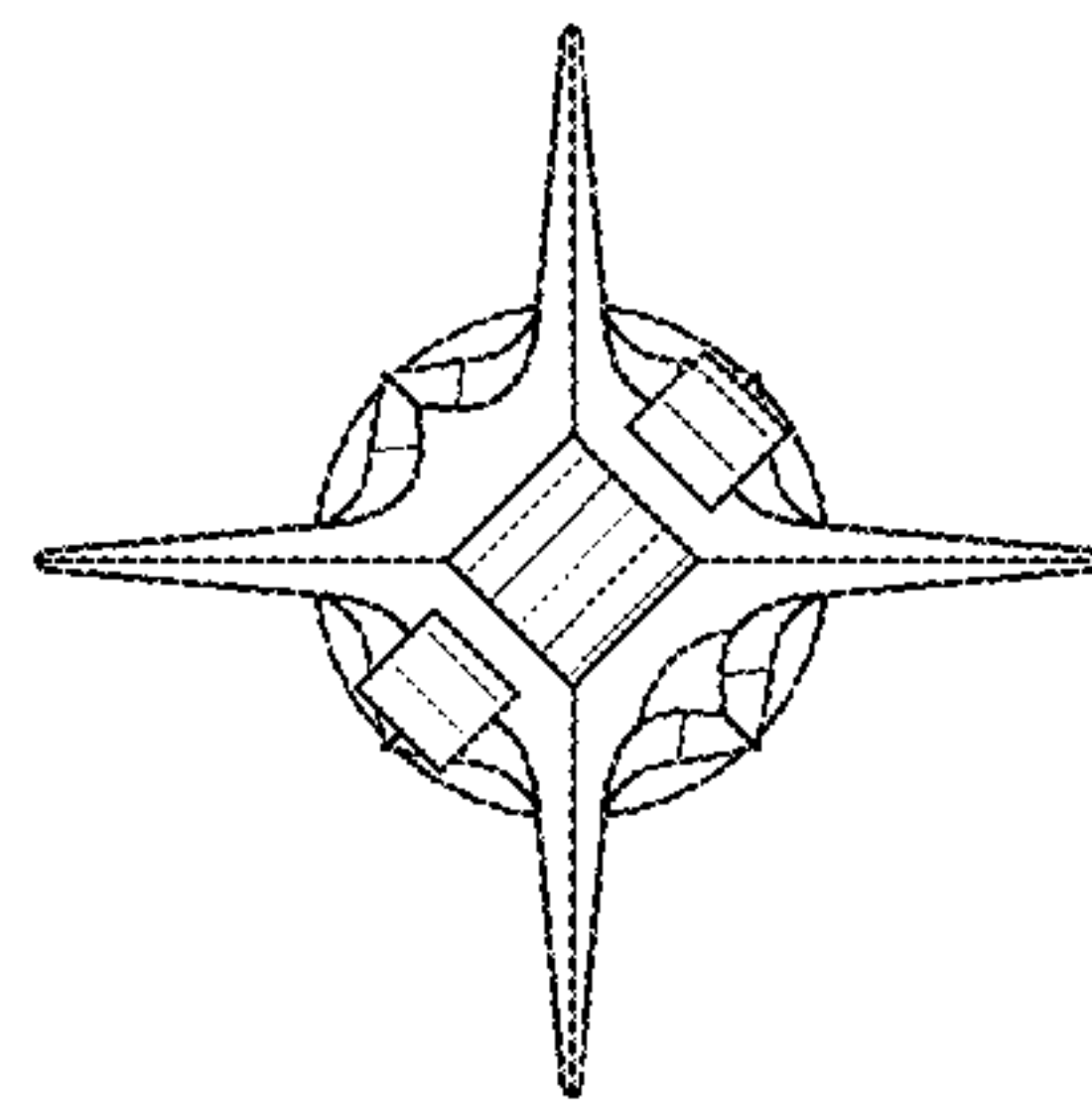


FIG. 22

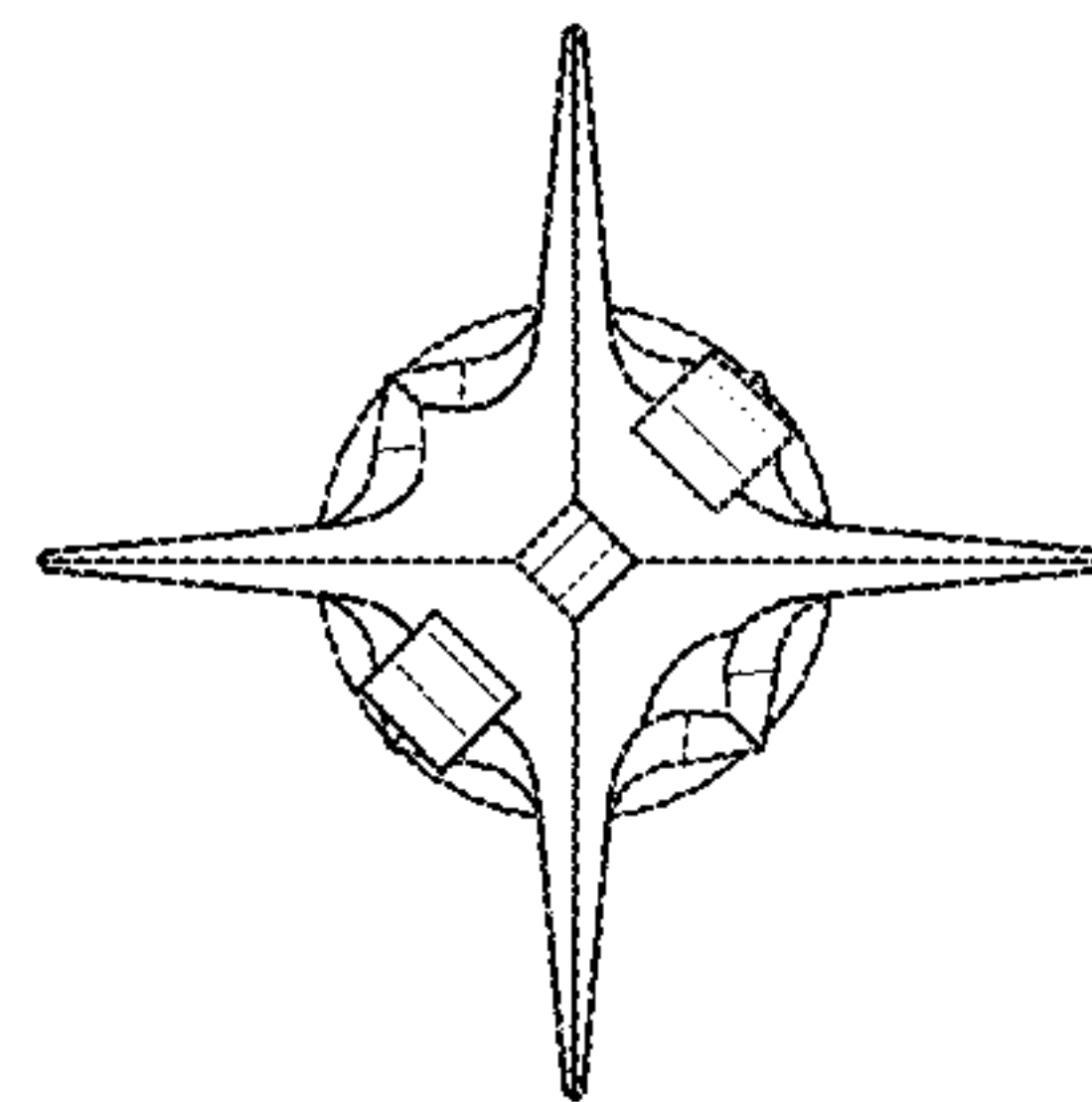


FIG. 23

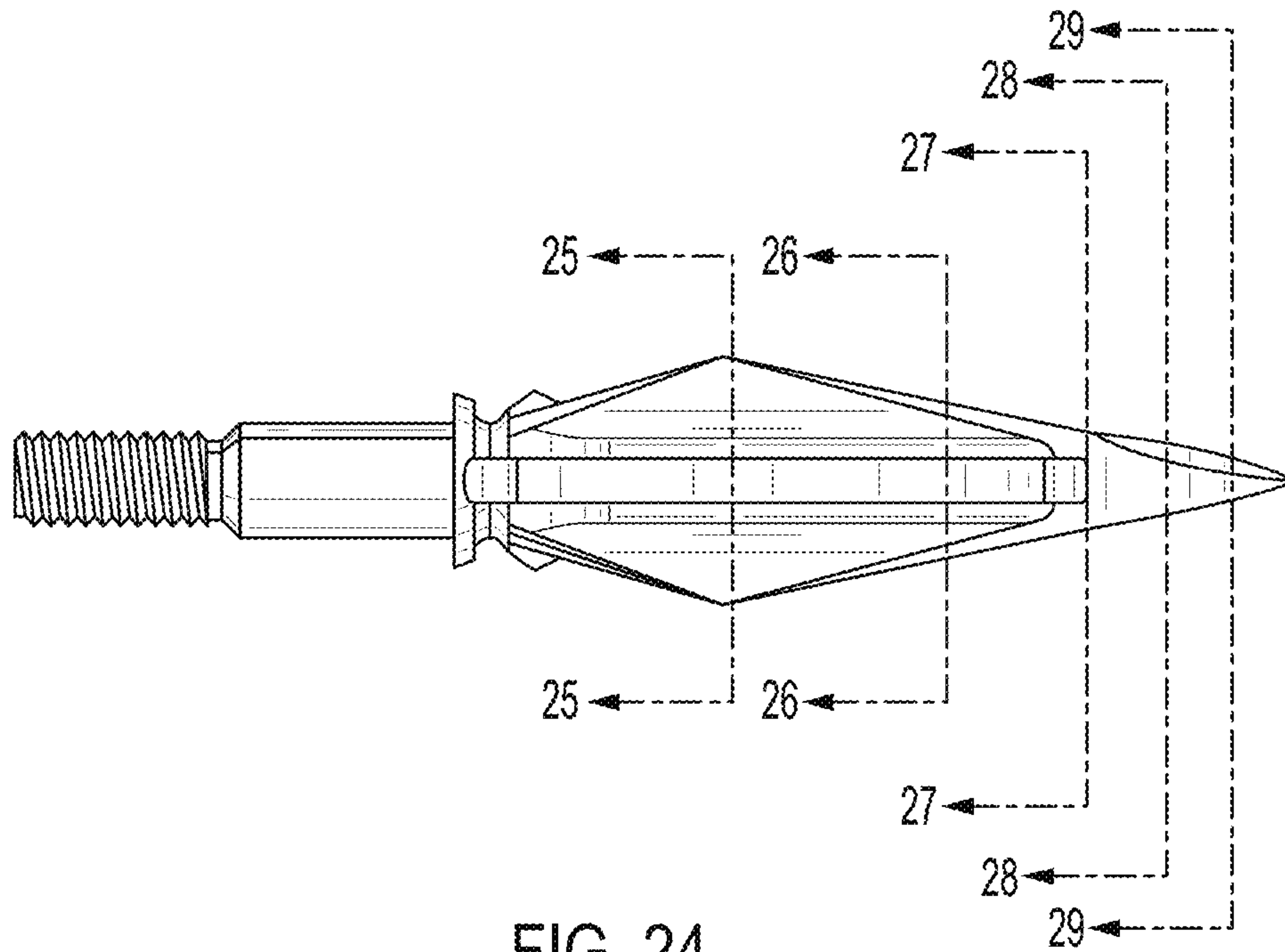


FIG. 24

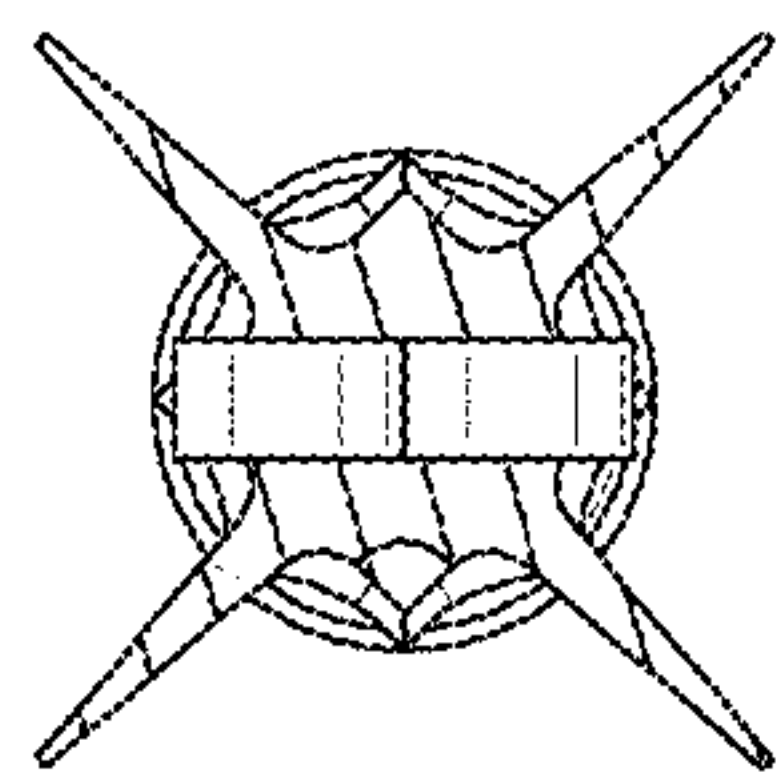


FIG. 25

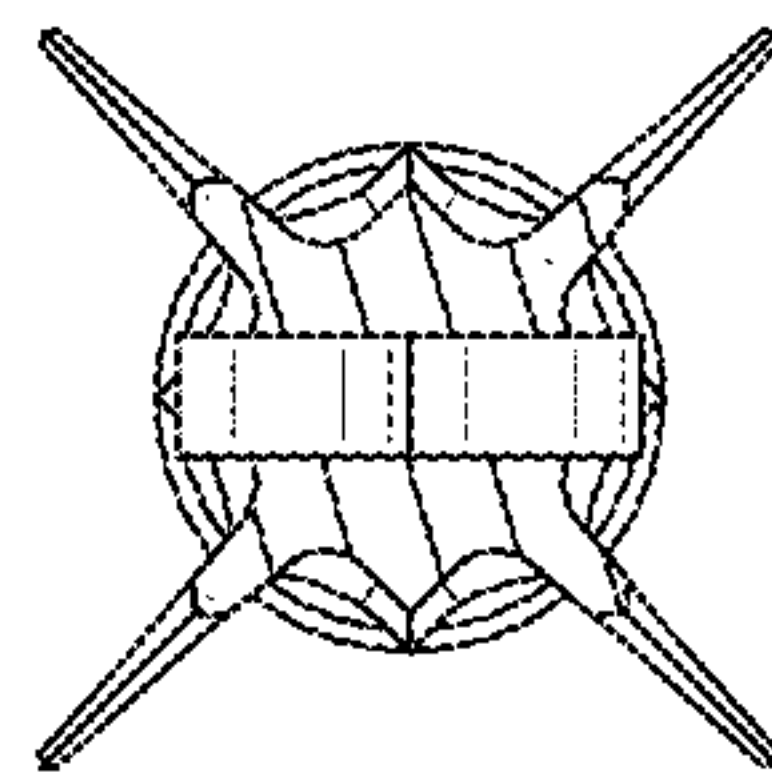


FIG. 26

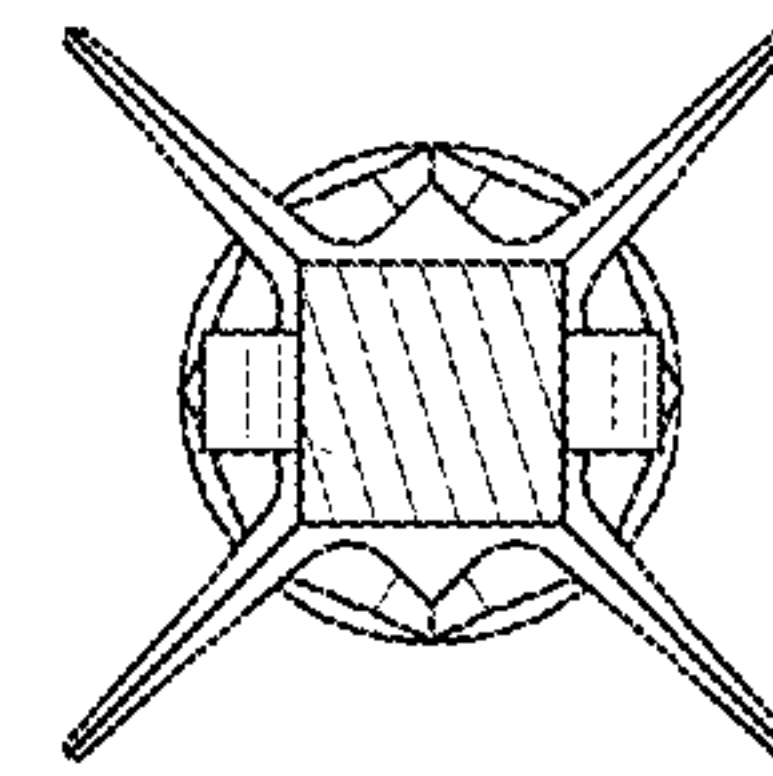


FIG. 27

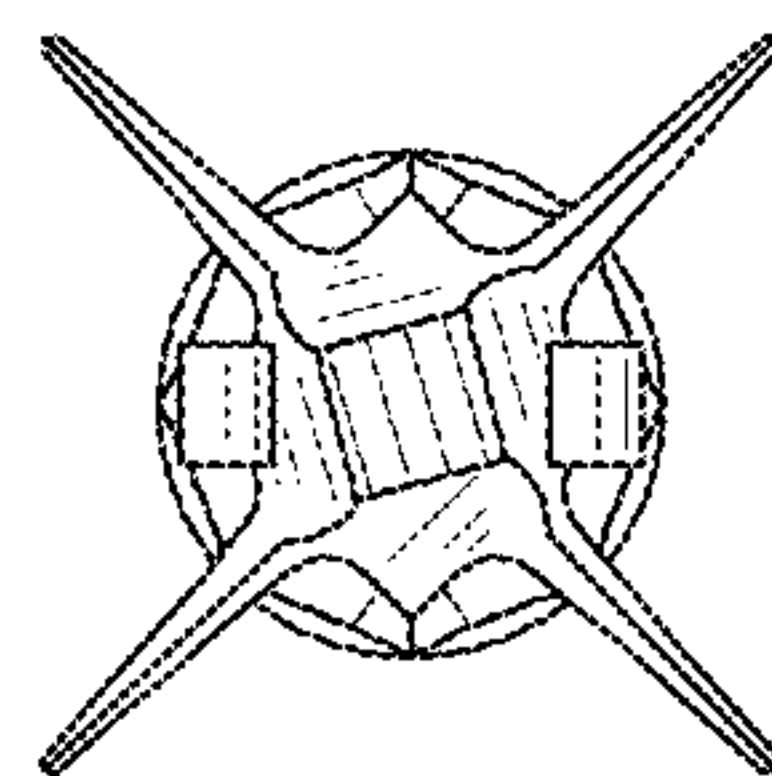


FIG. 28

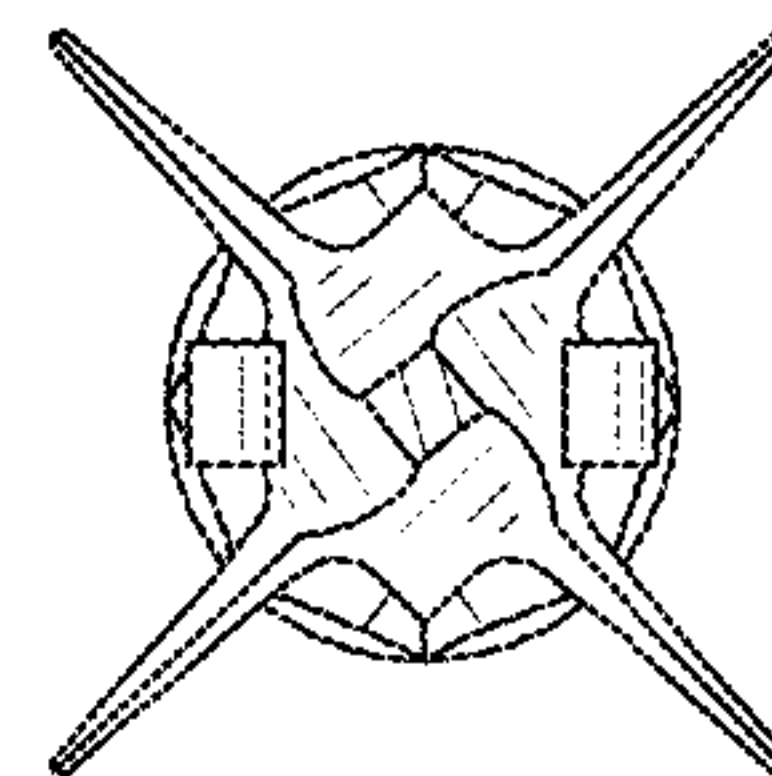


FIG. 29