



US00D776781S

(12) **United States Design Patent**
Barnard

(10) **Patent No.:** **US D776,781 S**
(45) **Date of Patent:** **** Jan. 17, 2017**

(54) **BOW STRING VIBRATION SUPPRESSOR WITH ADJUSTABLE FORKED EXTENSION MEMBERS**

(71) Applicant: **Anthony Kirk Barnard**, Irvine, CA (US)

(72) Inventor: **Anthony Kirk Barnard**, Irvine, CA (US)

(**) Term: **15 Years**

(21) Appl. No.: **29/527,713**

(22) Filed: **May 21, 2015**

(51) **LOC (10) Cl.** **22-01**

(52) **U.S. Cl.**
USPC **D22/107**

(58) **Field of Classification Search**
USPC D22/107; D21/753
CPC F41B 5/1426; F41B 5/10; F41B 5/1407
See application file for complete search history.

(56) **References Cited**

U.S. PATENT DOCUMENTS

7,213,590 B2 *	5/2007	Pellerite	F41B 5/1426
				124/89
D593,181 S *	5/2009	Barnard	D22/107
7,954,481 B2 *	6/2011	Barnard	F41B 5/1426
				124/25.6

* cited by examiner

Primary Examiner — Michael A Pratt
(74) *Attorney, Agent, or Firm* — Russo & Duckworth, LLP; David G. Duckworth

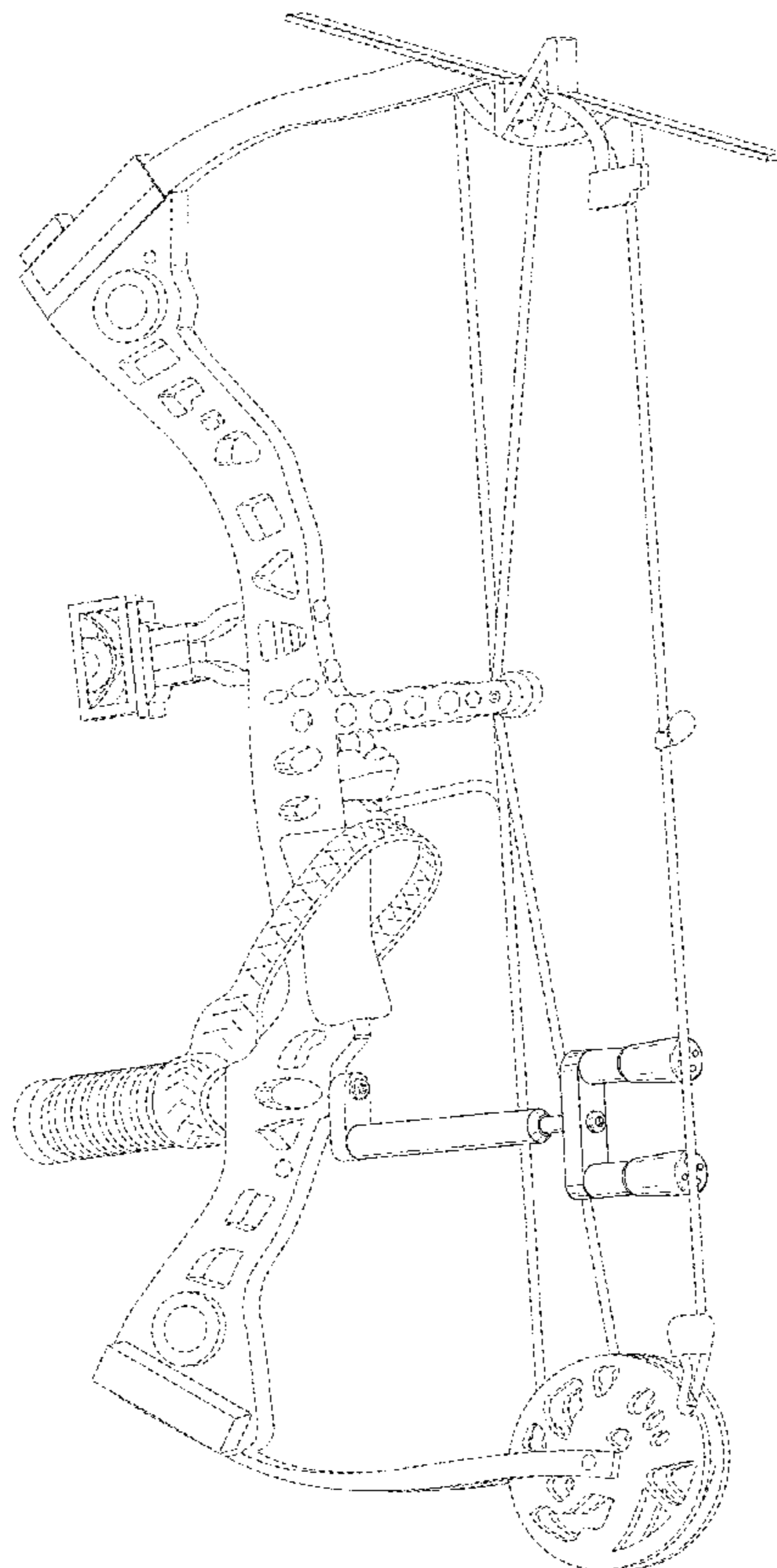
(57) **CLAIM**

The ornamental design for the bow string vibration suppressor with adjustable forked extension members, as shown and described.

DESCRIPTION

FIG. 1 is a perspective view of the bow spring vibration suppressor including adjustable forked extension members attached to a bow;
FIG. 2 is a perspective view illustrating the bow string vibration suppressor with adjustable forked extension members in an extended condition;
FIG. 3 is a retracted condition illustrating the bow string vibration suppressor with adjustable forked extension members in an extended condition;
FIG. 4 is a front elevation view thereof;
FIG. 5 is a rear elevation view thereof;
FIG. 6 is a left elevation view thereof;
FIG. 7 is a right elevation view thereof;
FIG. 8 is a top plan view thereof; and,
FIG. 9 is a bottom plan view thereof.
The broken lines, including bow in FIG. 1, and threaded fastener illustrated in FIGS. 2-9, form no part of my claimed design.

1 Claim, 4 Drawing Sheets



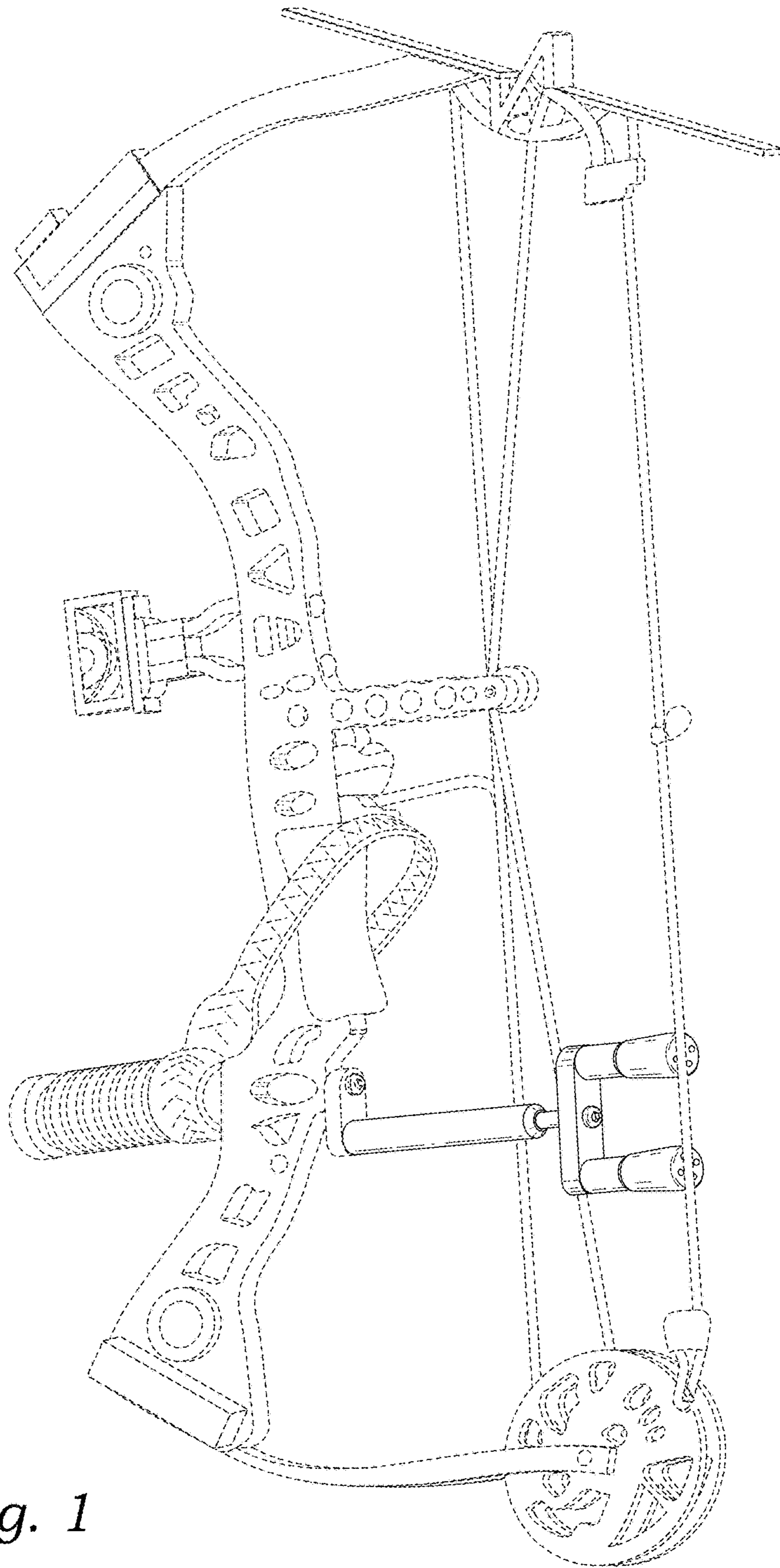


Fig. 1

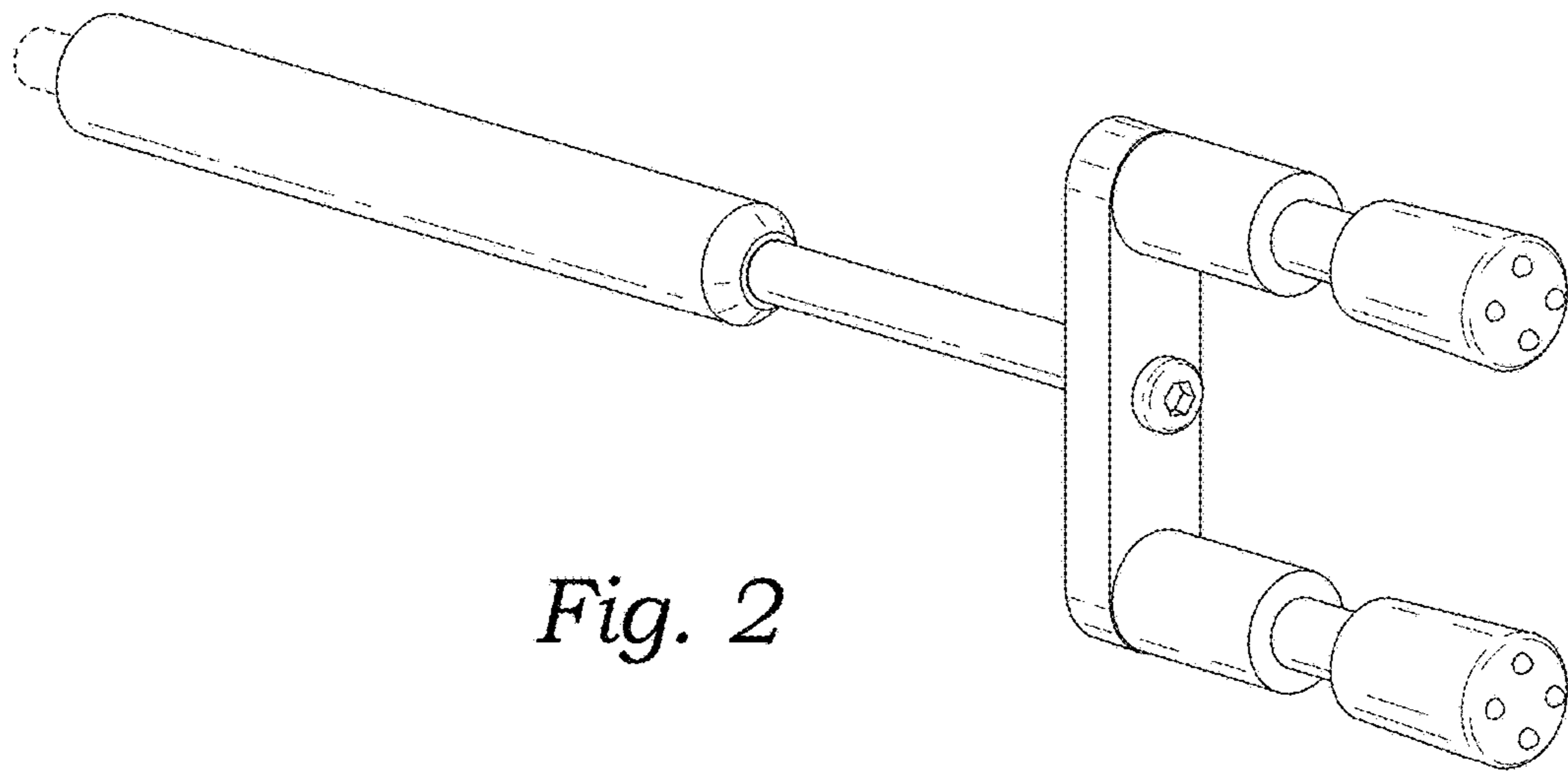


Fig. 2

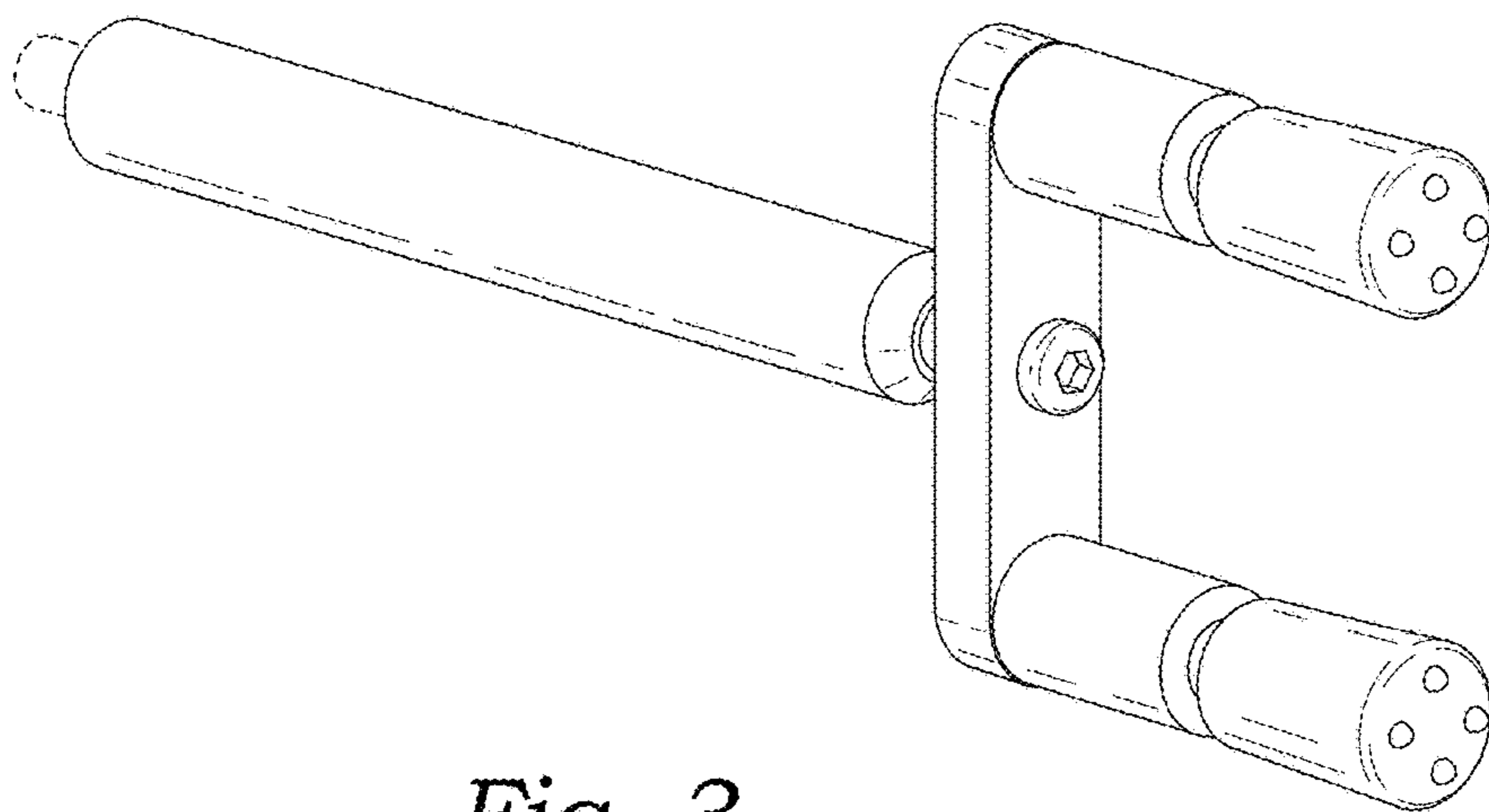


Fig. 3

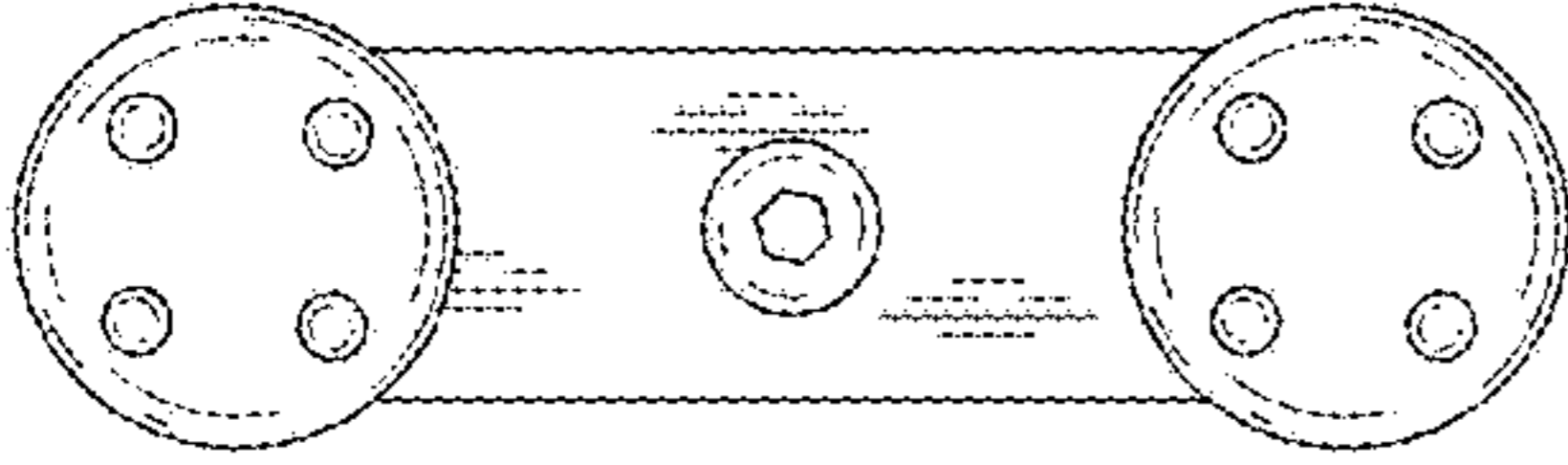


Fig. 4

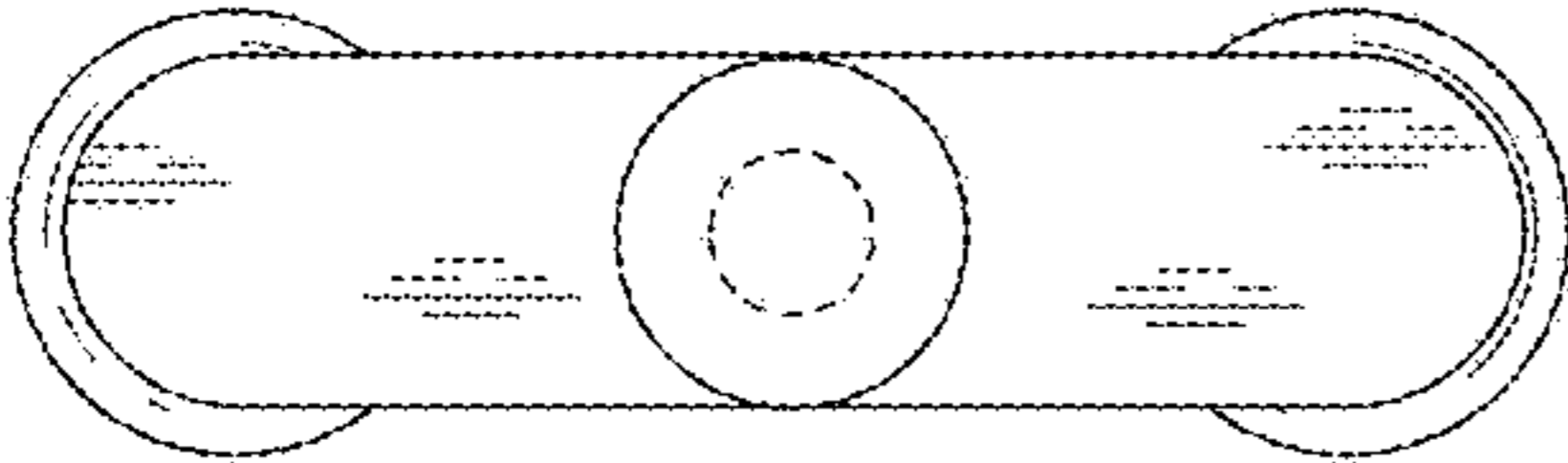


Fig. 5

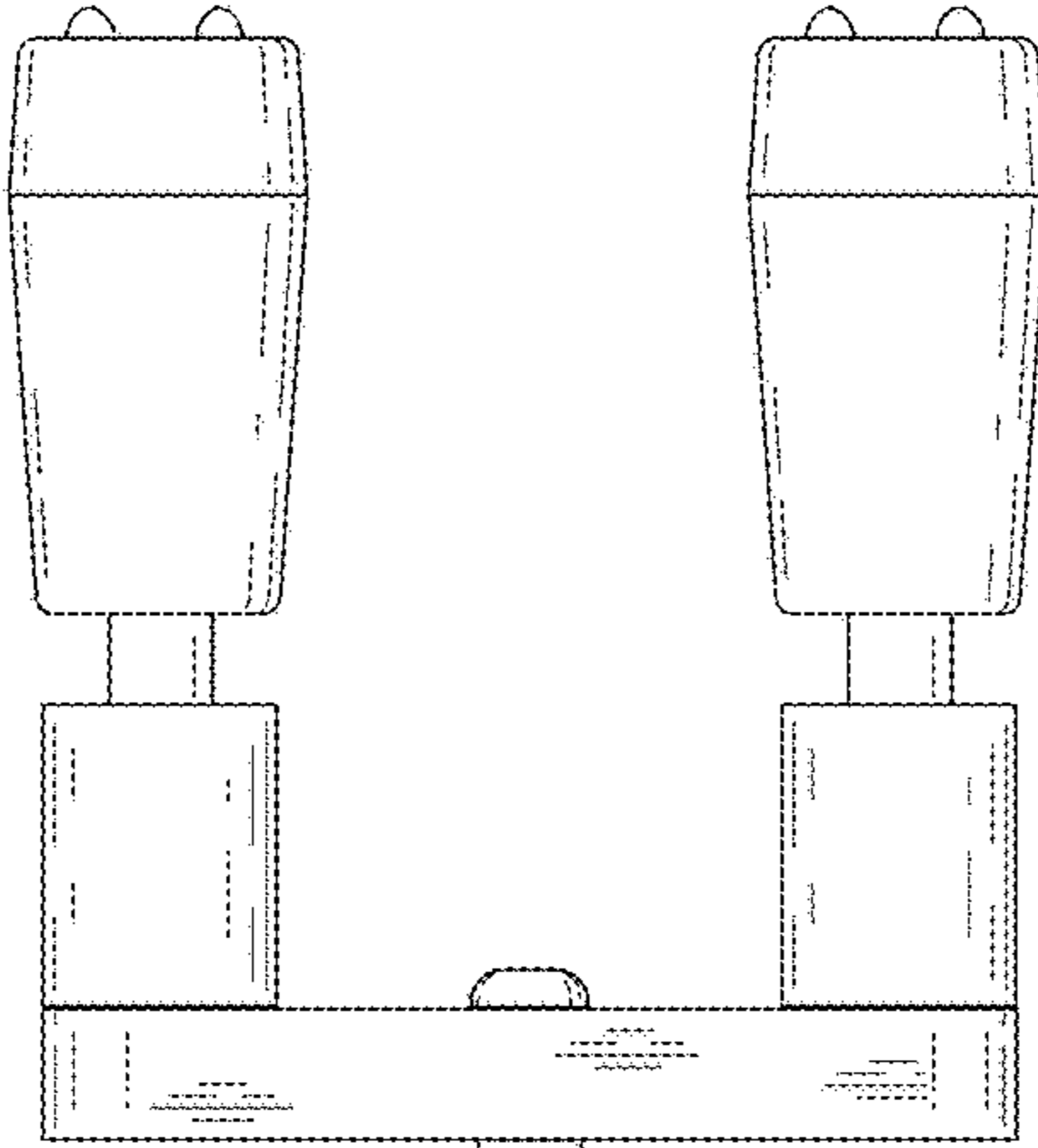


Fig. 6

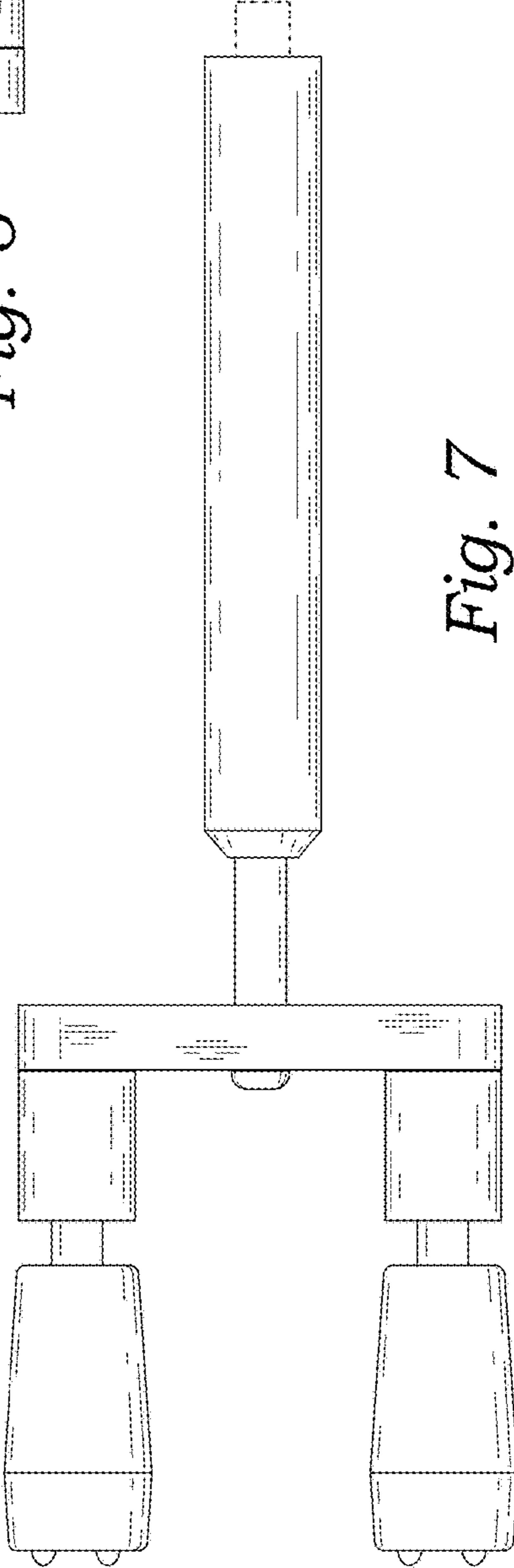


Fig. 7

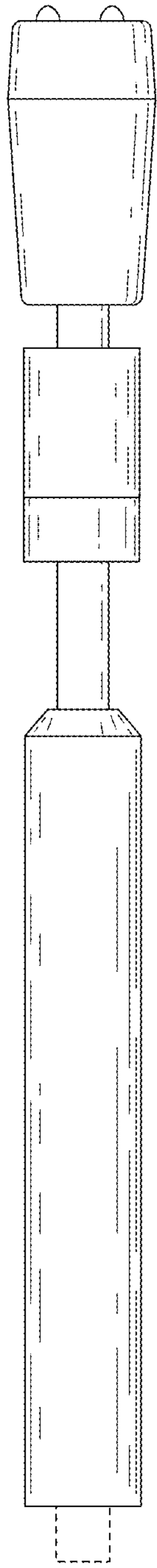


Fig. 8

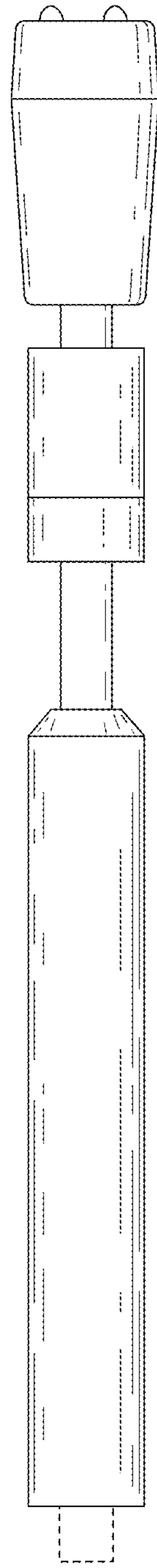


Fig. 9