



US00D776780S

(12) **United States Design Patent**  
**Barnard**

(10) **Patent No.:** **US D776,780 S**  
(45) **Date of Patent:** **\*\* Jan. 17, 2017**

(54) **BOW STRING VIBRATION SUPPRESSOR**

(71) Applicant: **Anthony Kirk Barnard**, Irvine, CA  
(US)

(72) Inventor: **Anthony Kirk Barnard**, Irvine, CA  
(US)

(\*\*) Term: **15 Years**

(21) Appl. No.: **29/527,704**

(22) Filed: **May 21, 2015**

(51) **LOC (10) Cl.** ..... **22-01**

(52) **U.S. Cl.**  
USPC ..... **D22/107**

(58) **Field of Classification Search**  
USPC ..... D22/107; D21/753  
CPC ..... F41B 5/1426; F41B 5/10; F41B 5/1407  
See application file for complete search history.

(56) **References Cited**

**U.S. PATENT DOCUMENTS**

7,213,590 B2 *	5/2007	Pellerite	.....	F41B 5/1426
				124/89
D593,181 S *	5/2009	Barnard	.....	D22/107
7,954,481 B2 *	6/2011	Barnard	.....	F41B 5/1426
				124/25.6

\* cited by examiner

*Primary Examiner* — Michael A Pratt

(74) *Attorney, Agent, or Firm* — Russo & Duckworth, LLP; David G. Duckworth

(57) **CLAIM**

The ornamental design for the bow string vibration suppressor, as shown and described.

**DESCRIPTION**

FIG. 1 is a perspective view of the bow spring vibration suppressor attached to a bow;

FIG. 2 is a perspective view illustrating the bow string vibration suppressor of the present invention in an extended condition;

FIG. 3 is a perspective view of the bow string vibration suppressor of the present invention in a retracted condition;

FIG. 4 is a front elevation view thereof;

FIG. 5 is a rear elevation view thereof;

FIG. 6 is a left elevation view thereof;

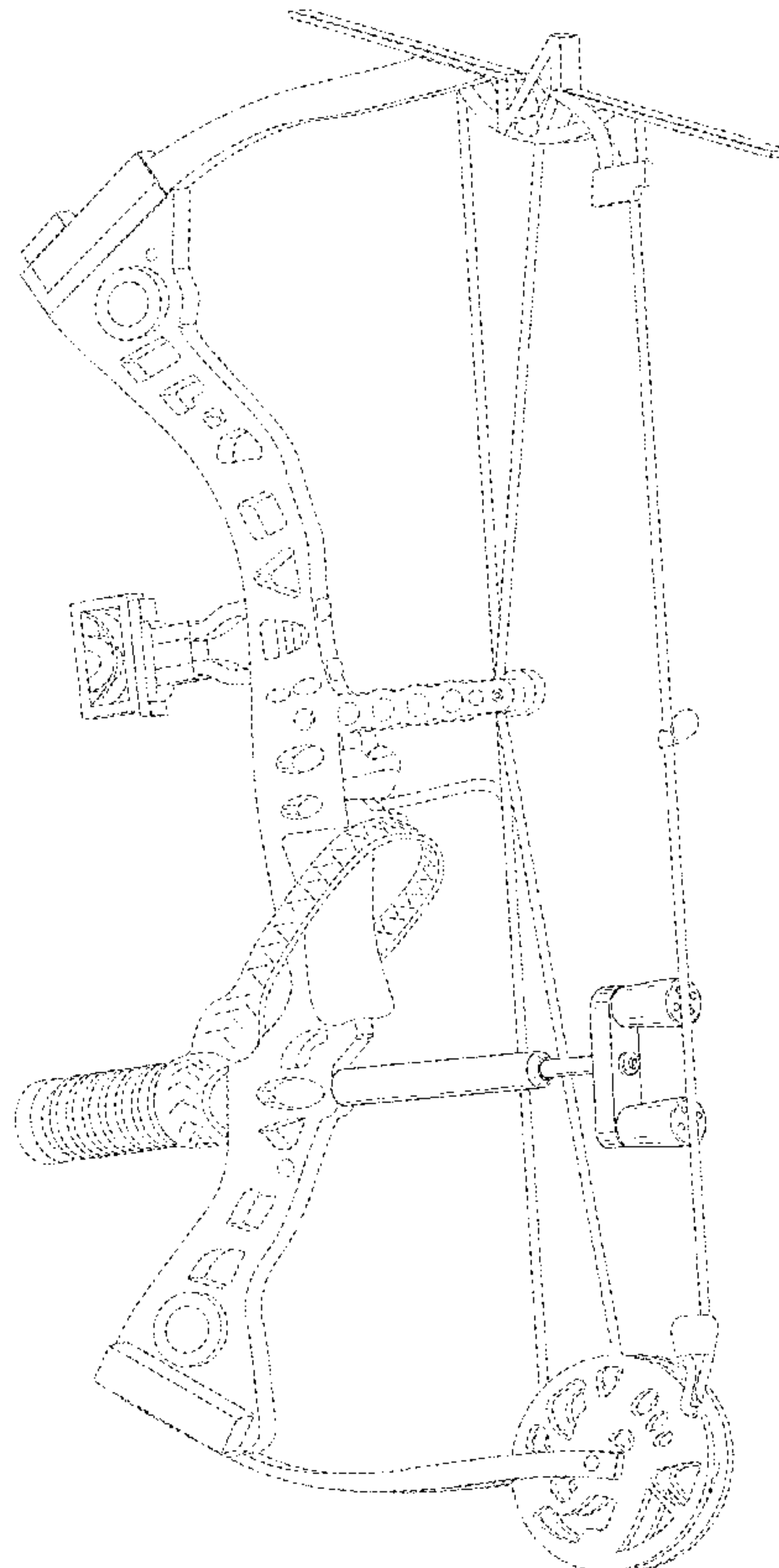
FIG. 7 is a right elevation view thereof;

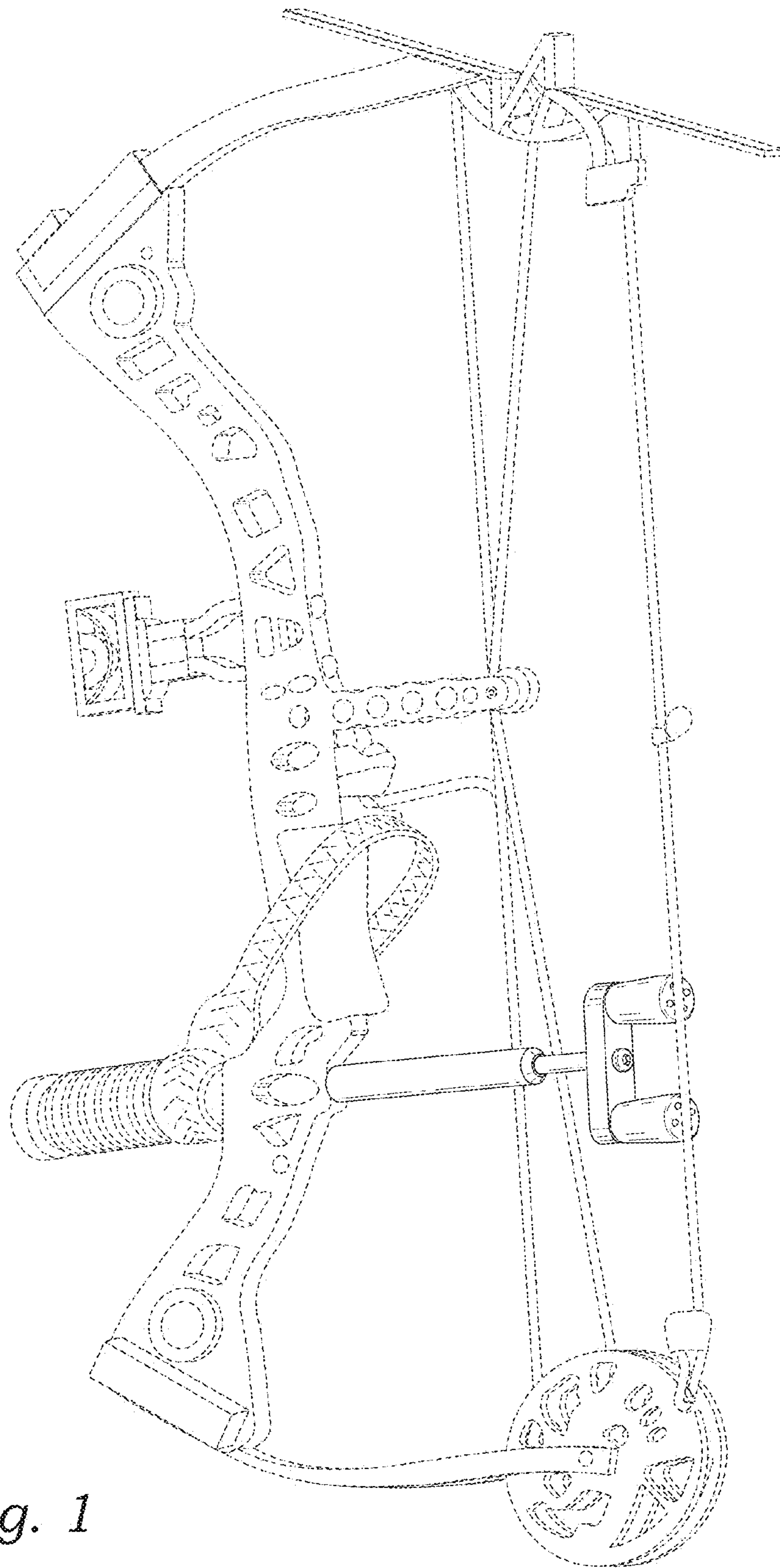
FIG. 8 is a top plan view thereof; and,

FIG. 9 is a bottom plan view thereof.

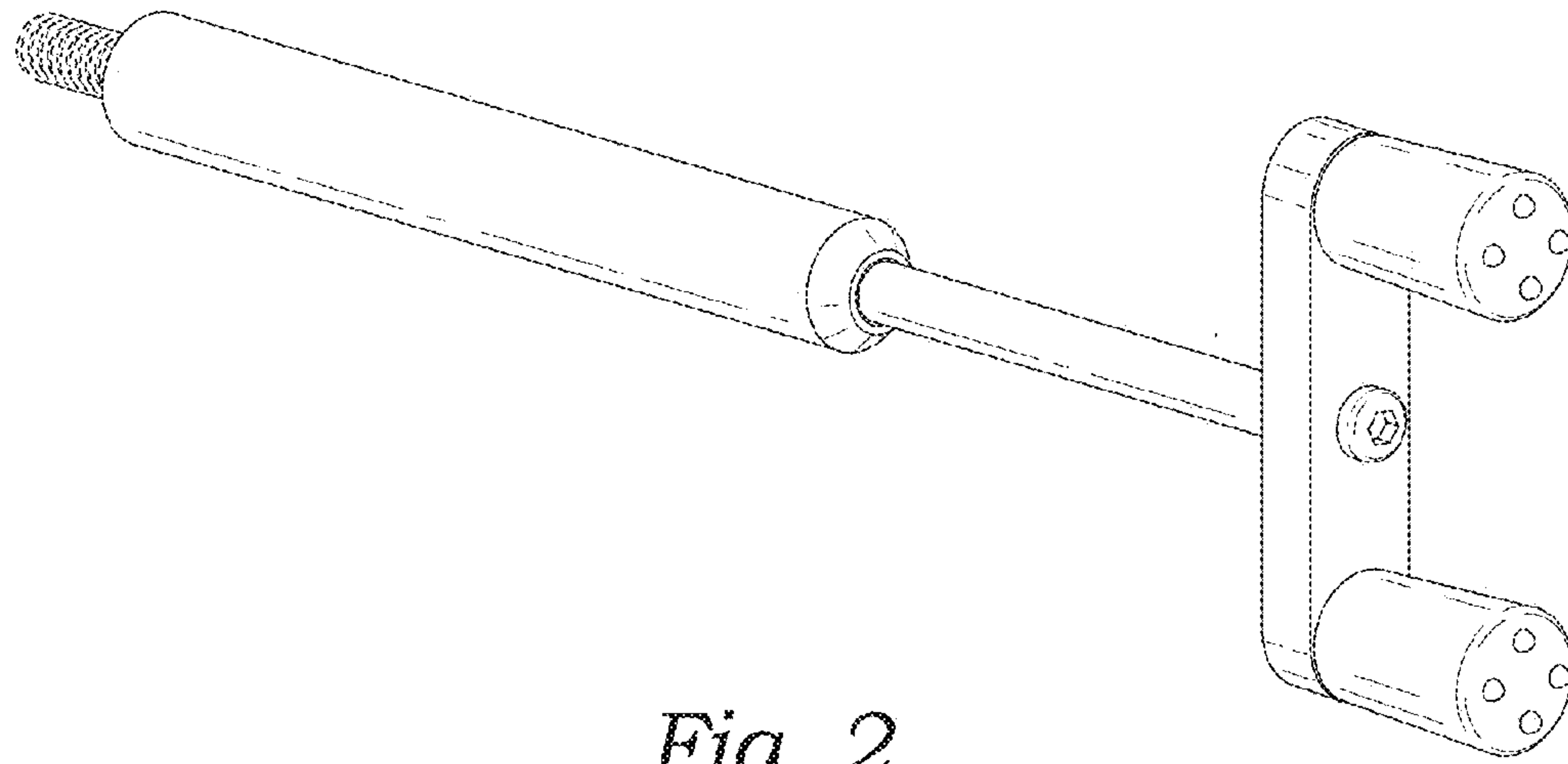
The broken lines, including bow in FIG. 1, and threaded fastener illustrated in FIGS. 2-9, form no part of my claimed design.

**1 Claim, 4 Drawing Sheets**

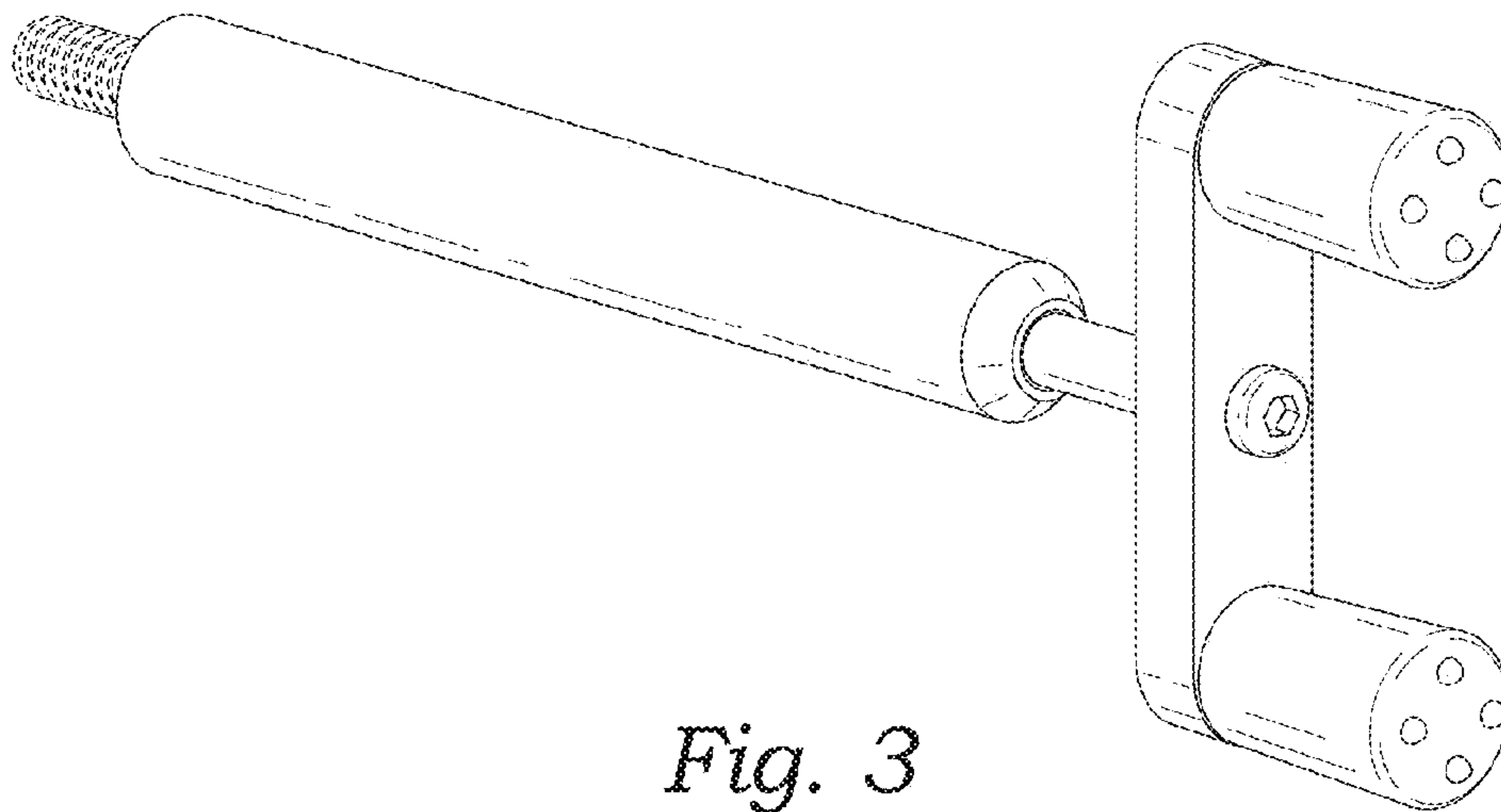




*Fig. 1*



*Fig. 2*



*Fig. 3*

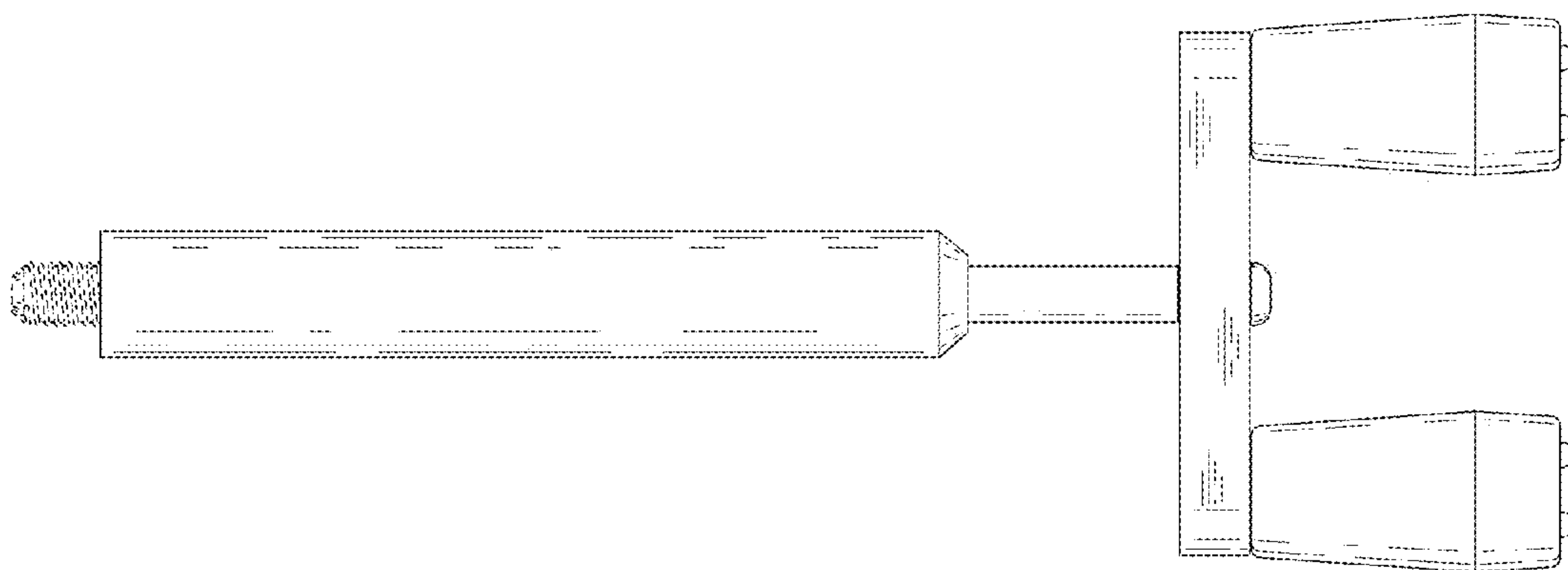
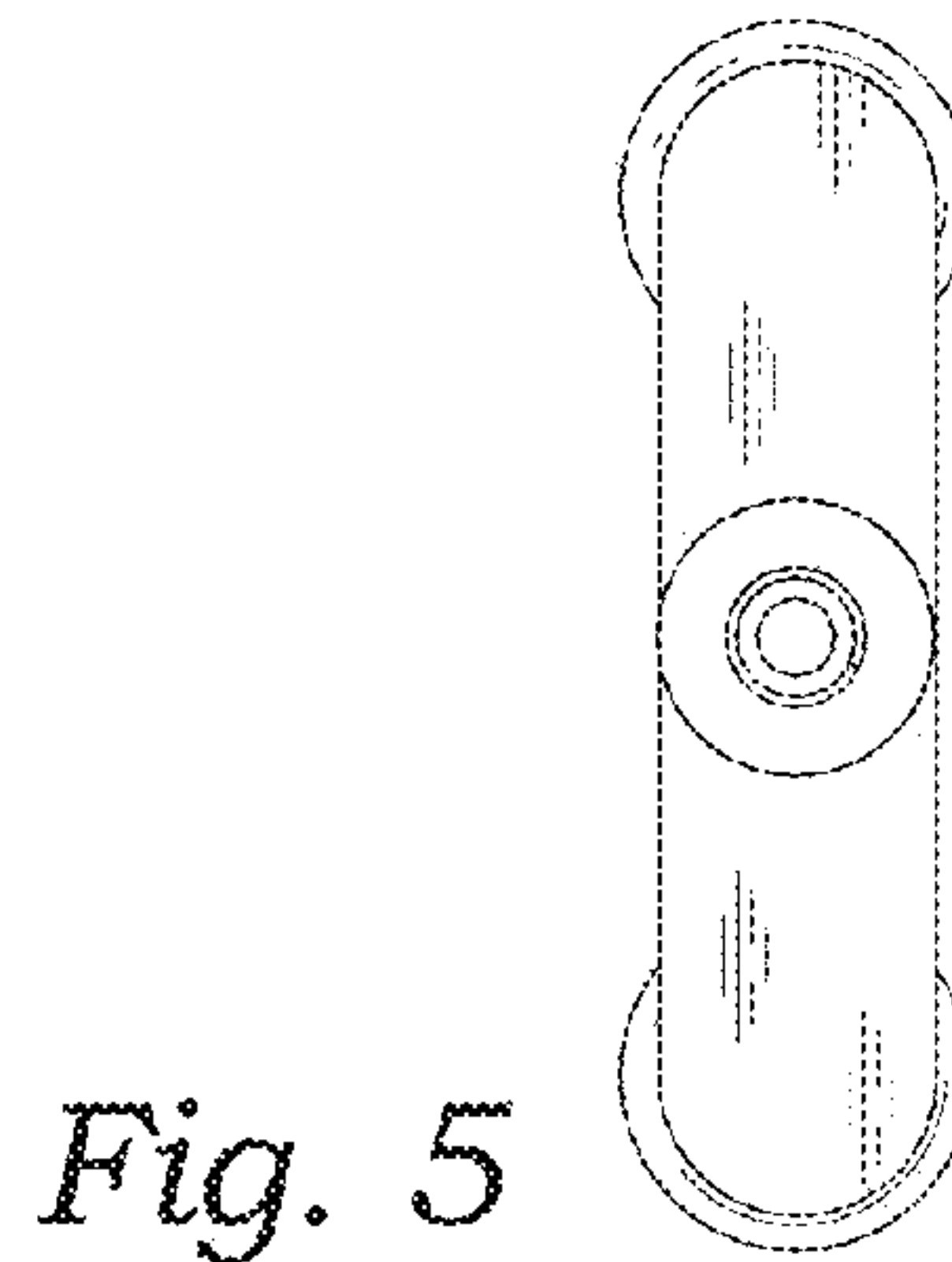
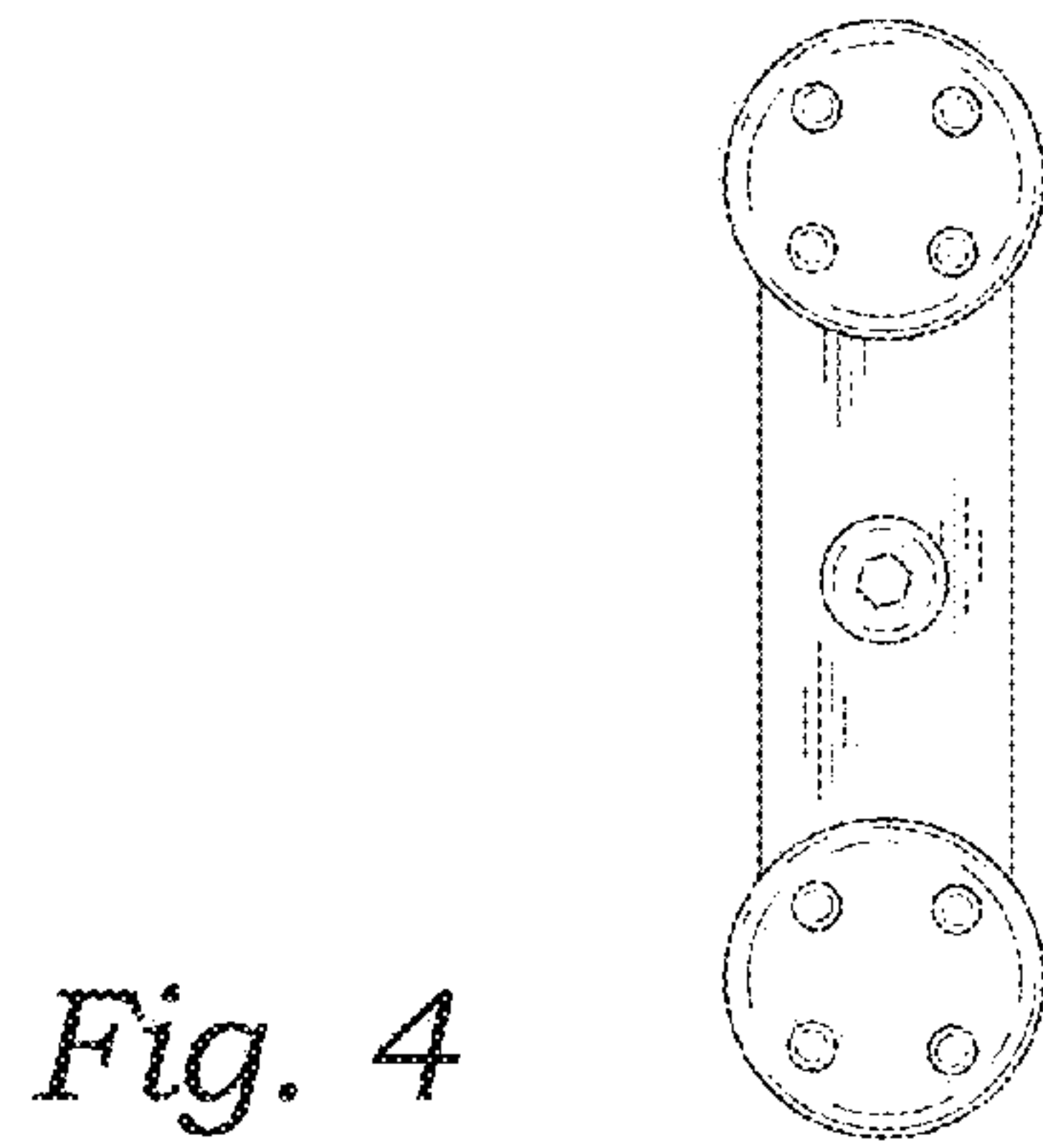


Fig. 6

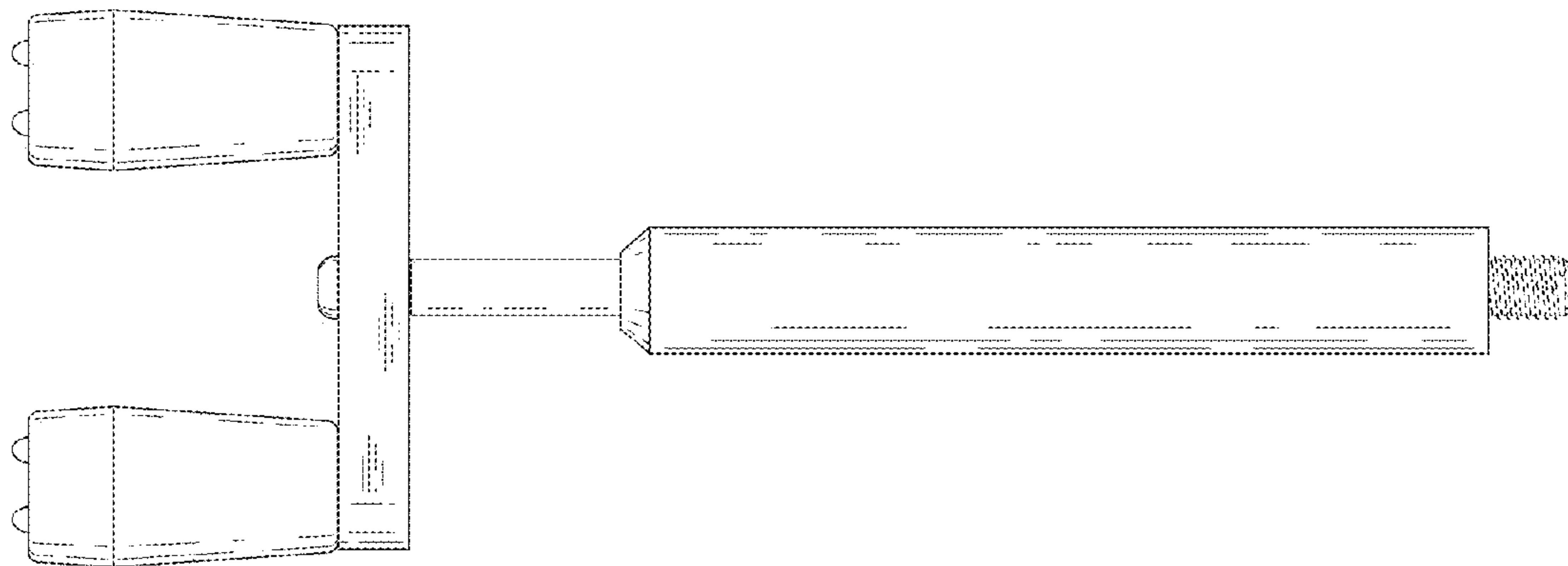
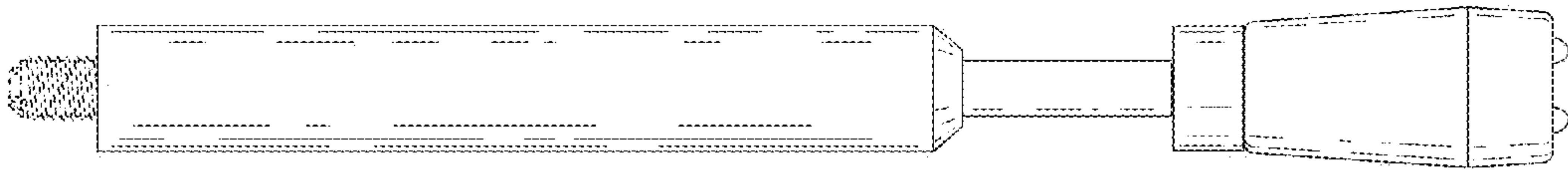
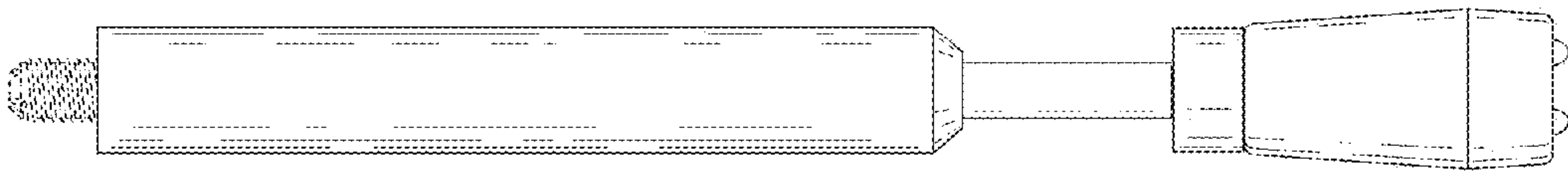


Fig. 7



*Fig. 8*



*Fig. 9*