



US00D776776S

(12) **United States Design Patent**
Le

(10) **Patent No.:** **US D776,776 S**
(45) **Date of Patent:** **** Jan. 17, 2017**

(54) **PORTABLE SHELTER**

(71) Applicant: **Tu Van Anh Le**, Lakeland, TN (US)

(72) Inventor: **Tu Van Anh Le**, Lakeland, TN (US)

(**) Term: **15 Years**

(21) Appl. No.: **29/546,112**

(22) Filed: **Nov. 19, 2015**

(51) **LOC (10) Cl.** **21-04**

(52) **U.S. Cl.**
USPC **D21/834**

(58) **Field of Classification Search**
USPC D21/834-839; D25/56
CPC E04H 15/32; E04H 15/34; E04H 15/44;
E04H 15/48; E04H 15/52; E04H 15/54
See application file for complete search history.

(56) **References Cited**

U.S. PATENT DOCUMENTS

D235,281 S *	6/1975	Moss	D21/834
D332,294 S *	1/1993	Cantwell	D21/834
D348,300 S *	6/1994	Cantwell	D21/837
D390,908 S *	2/1998	Lah	D21/834
D398,062 S *	9/1998	Lockhart	D12/401
D418,572 S *	1/2000	Ju	D21/834
D418,573 S *	1/2000	Ju	D21/834

* cited by examiner

Primary Examiner — Cynthia M Chin

(74) *Attorney, Agent, or Firm* — Harris, Shelton, Hanover & Walsh; Susan B. Fentress

(57) **CLAIM**

The ornamental design for a portable shelter, substantially as shown and described.

DESCRIPTION

FIG. 1 is an isometric view showing the frame of my new design for a portable shelter in the extended configuration shown separately for the clarity of illustration.

FIG. 2 is a front view thereof.

FIG. 3 is a right side elevational view thereof, the left side being identical.

FIG. 4 is a rear view thereof.

FIG. 5 is a top view thereof.

FIG. 6 is a bottom view thereof.

FIG. 7 is an isometric view showing my new design in the covered configuration.

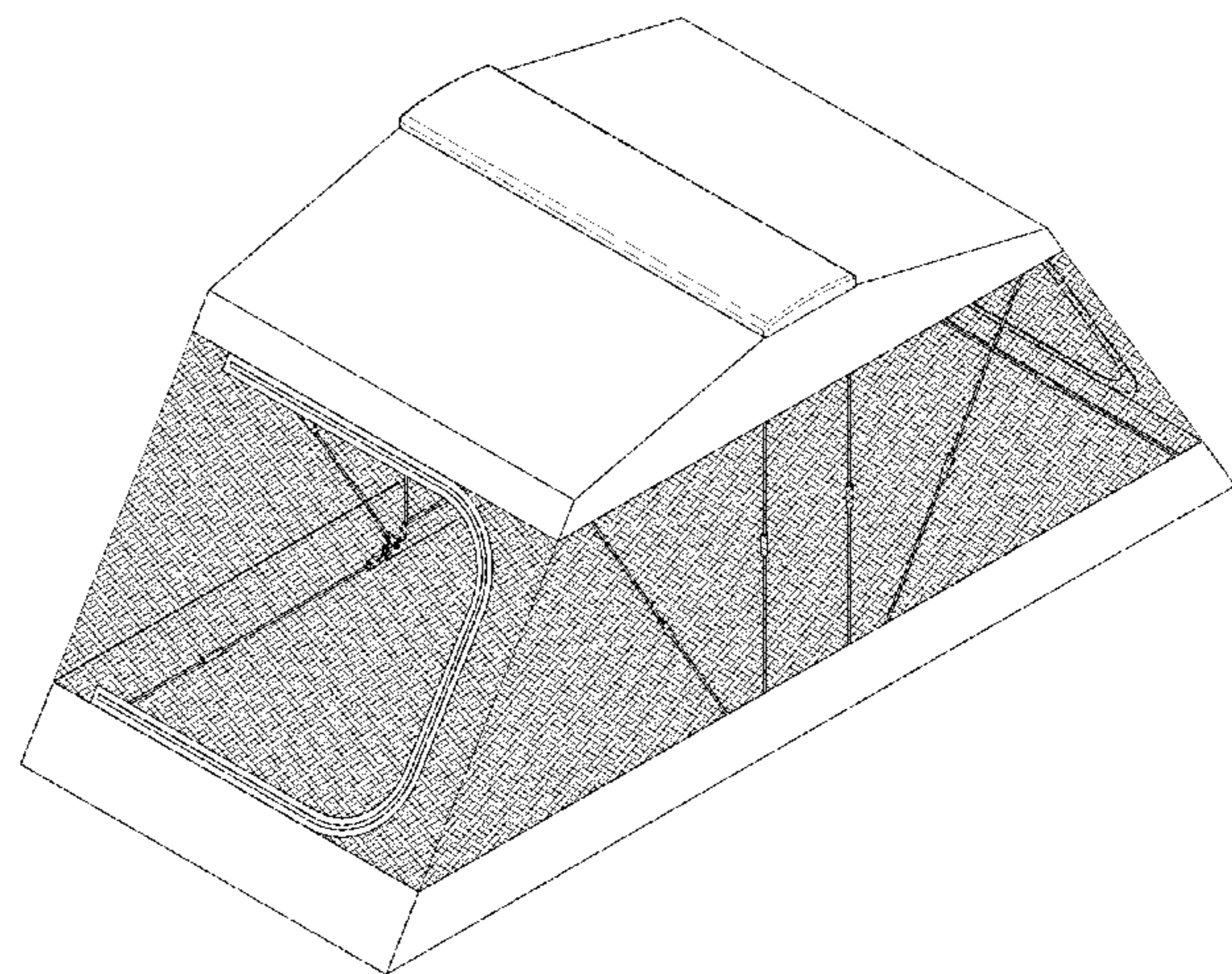
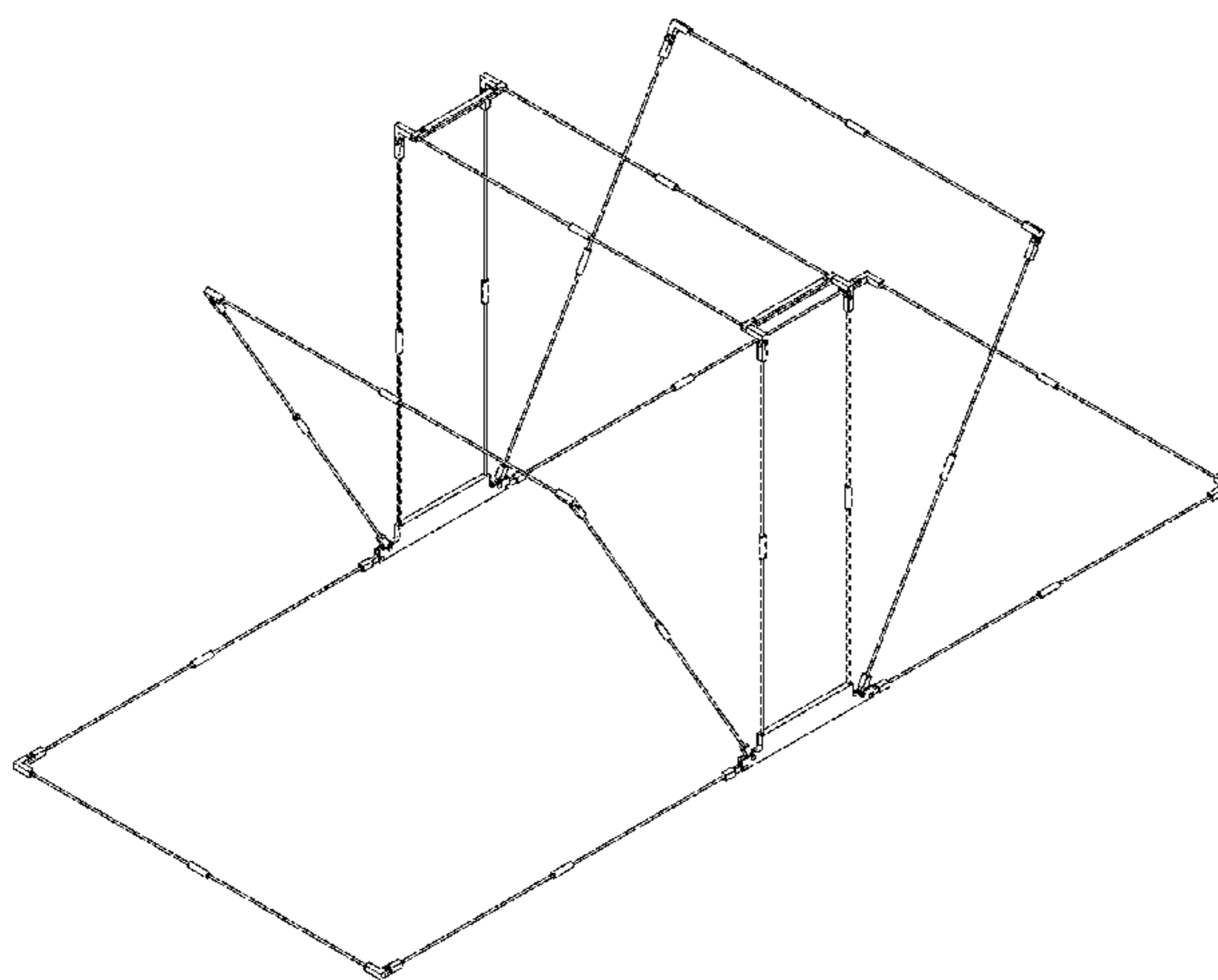
FIG. 8 is a front view showing my new design in the covered configuration, the rear view being identical.

FIG. 9 is a right view showing my new design in the covered configuration, the left view being identical.

FIG. 10 is a top view showing my new design in the covered configuration; and,

FIG. 11 is a bottom view showing my new design in the covered configuration.

1 Claim, 11 Drawing Sheets



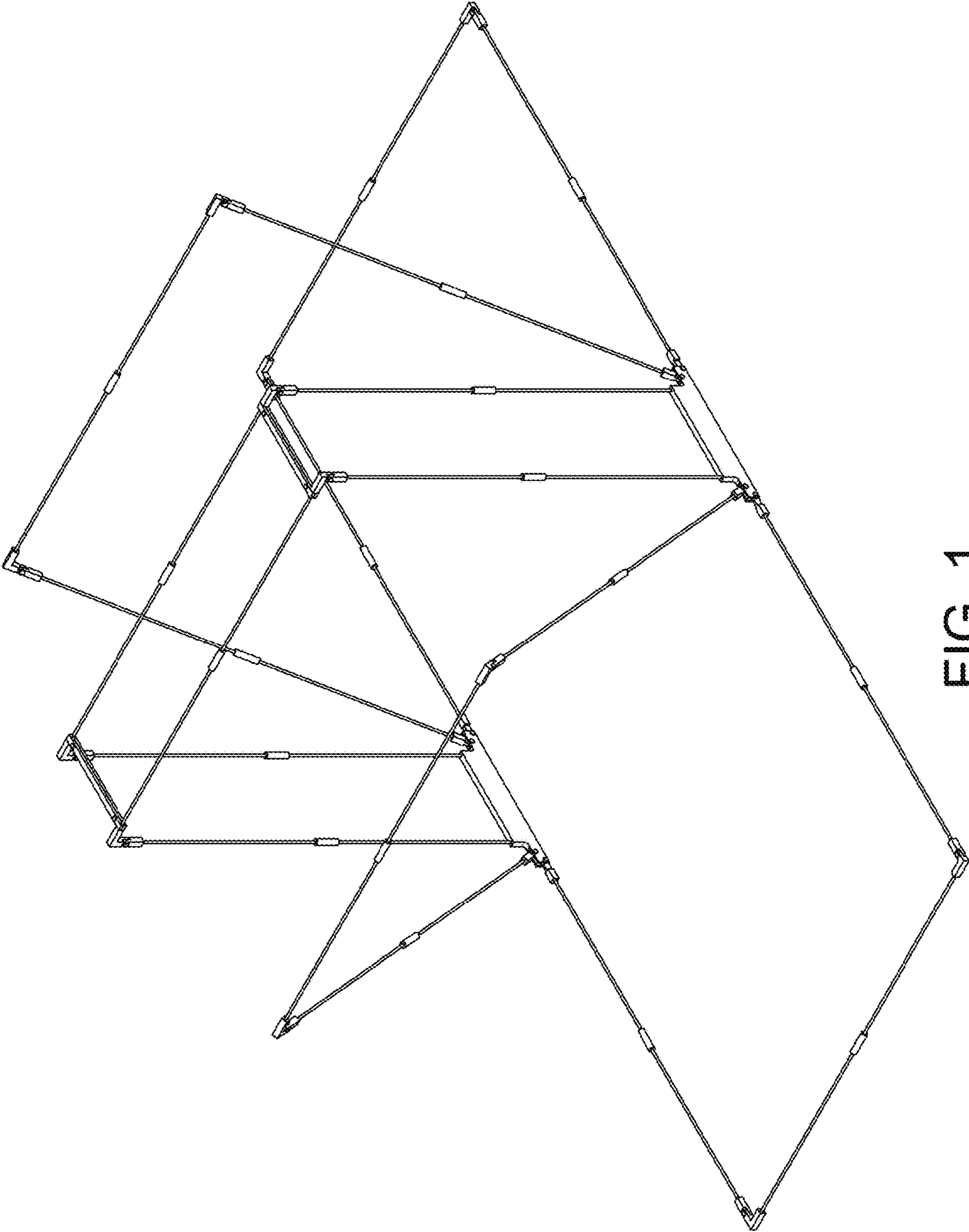


FIG. 1

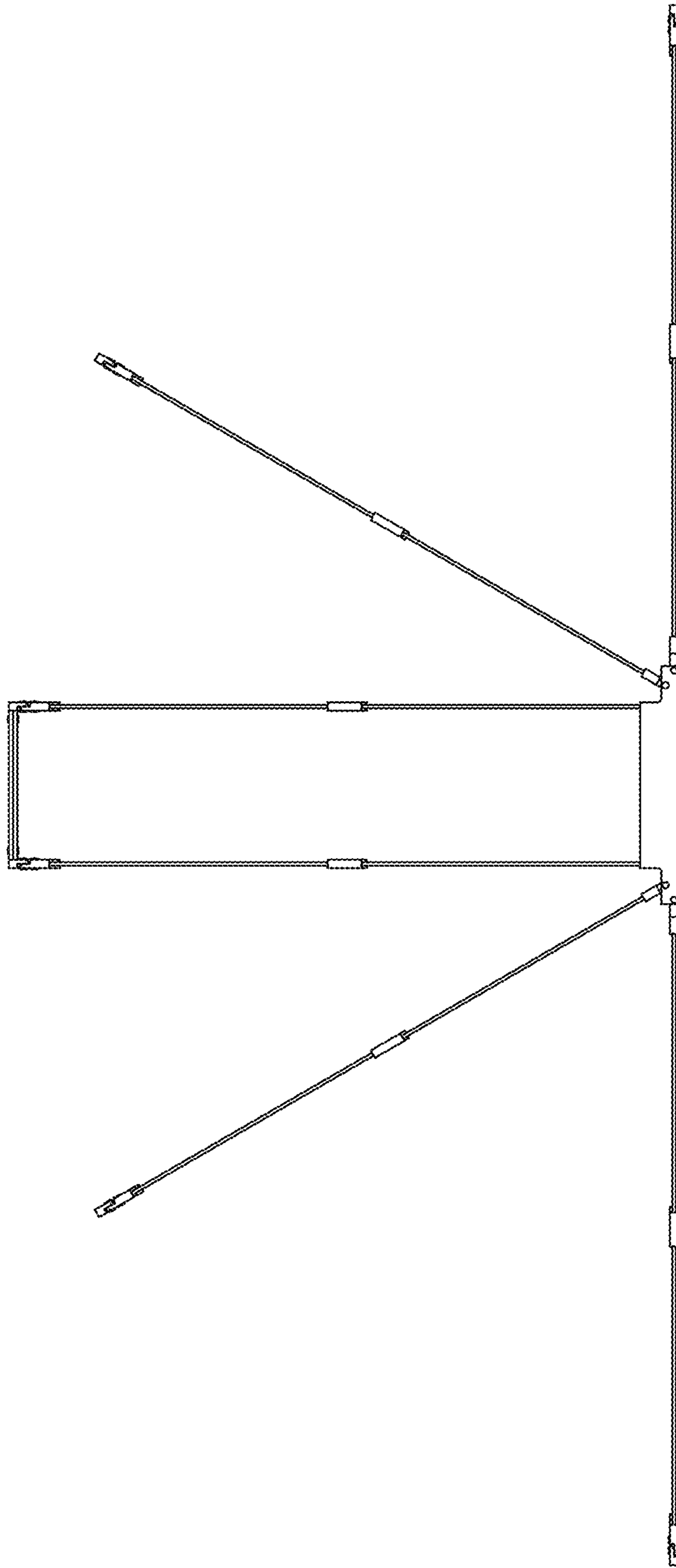


FIG. 2

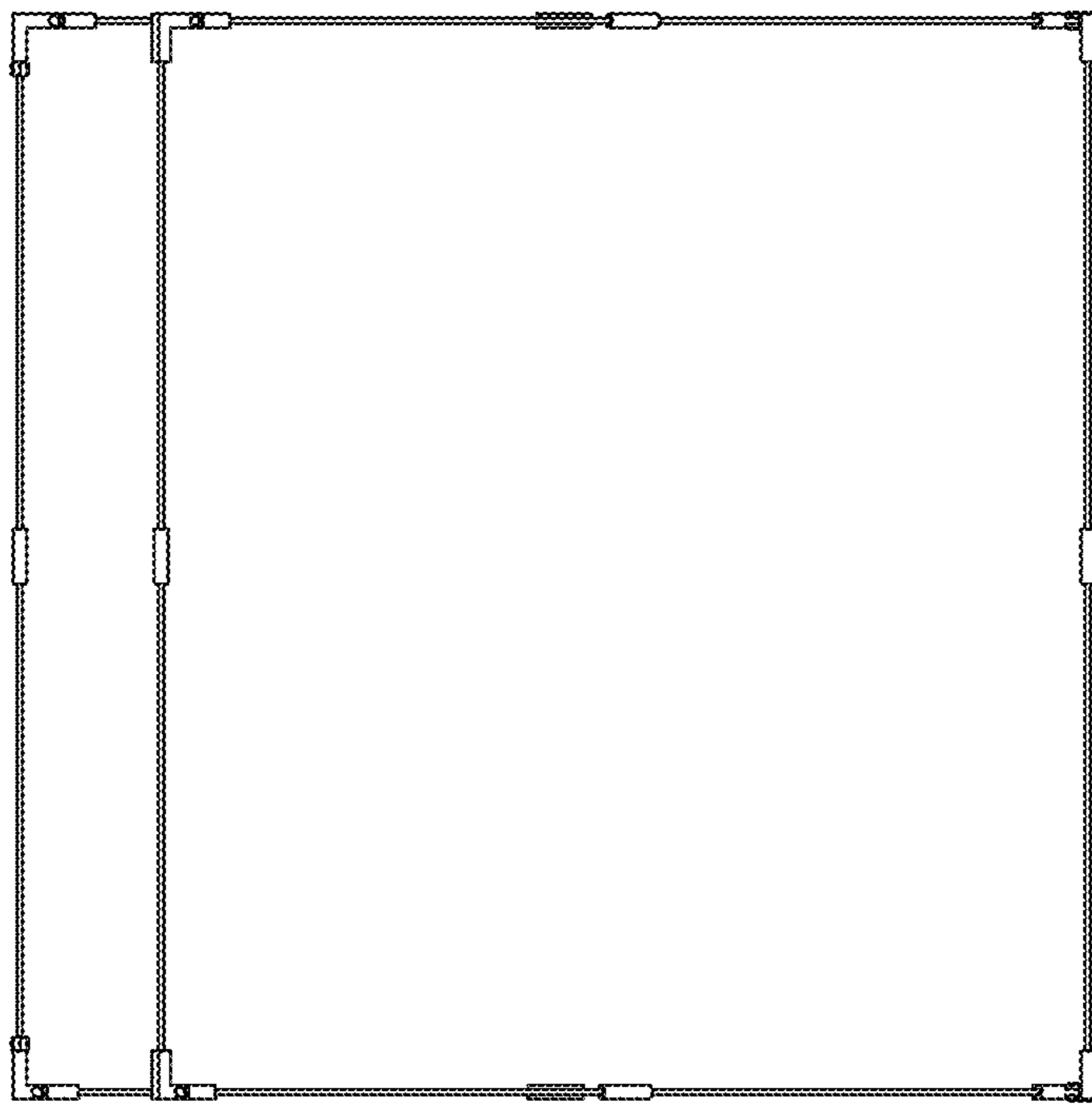


FIG. 3

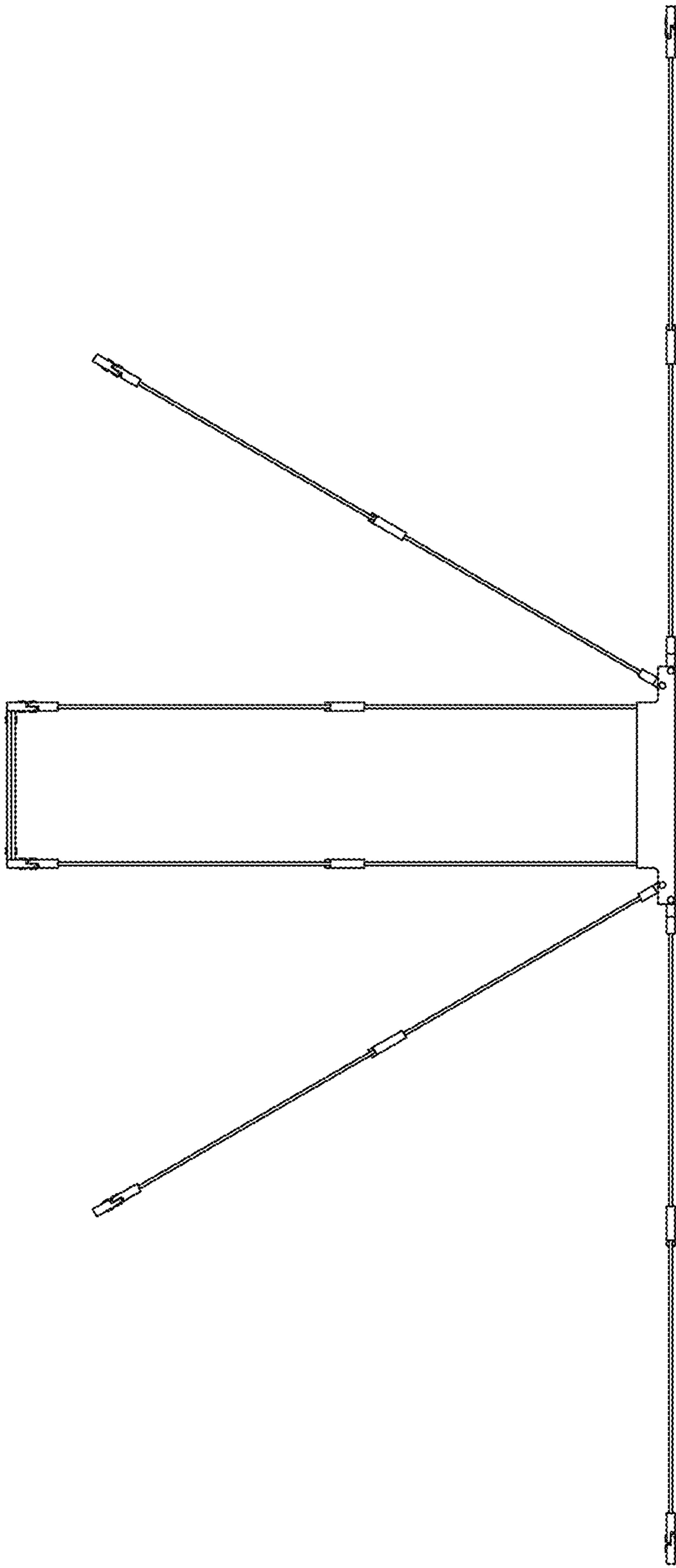


FIG. 4

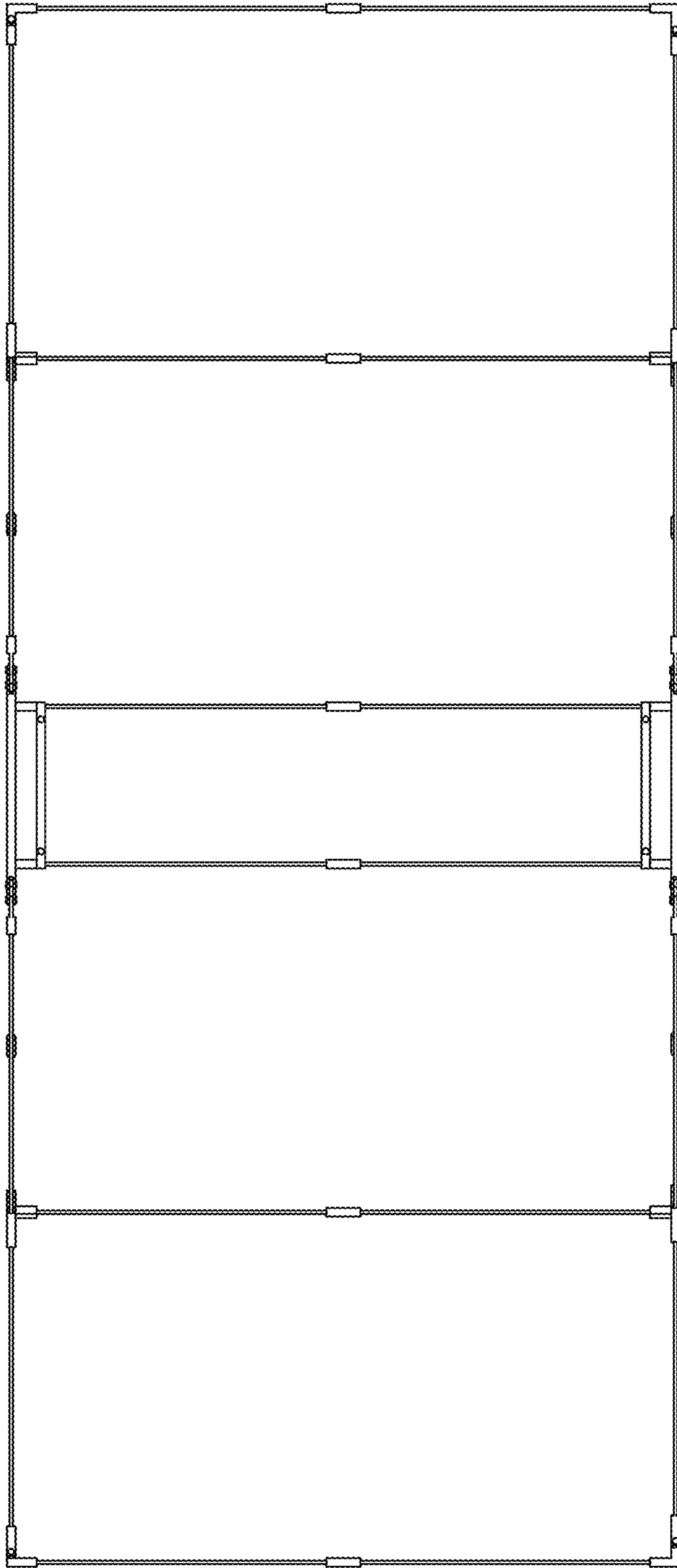


FIG. 5

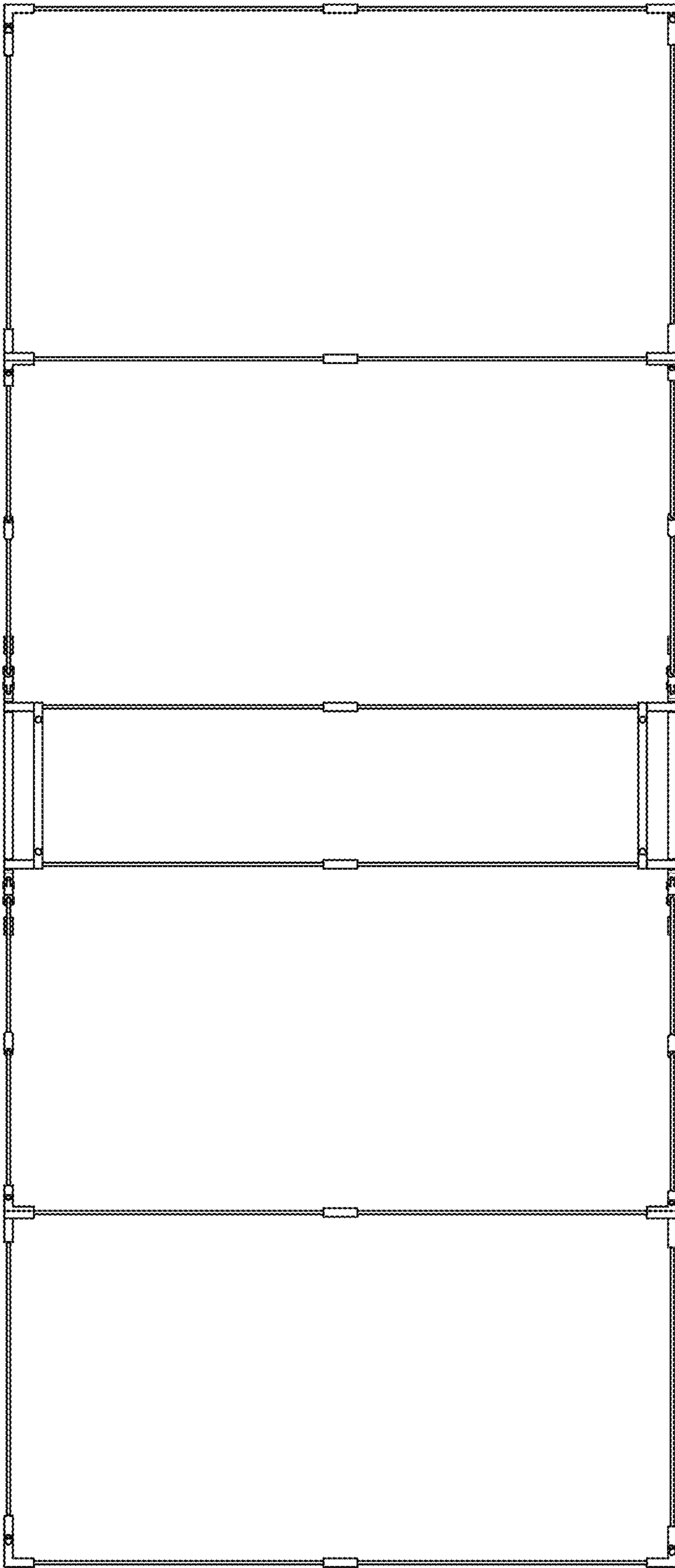


FIG. 6

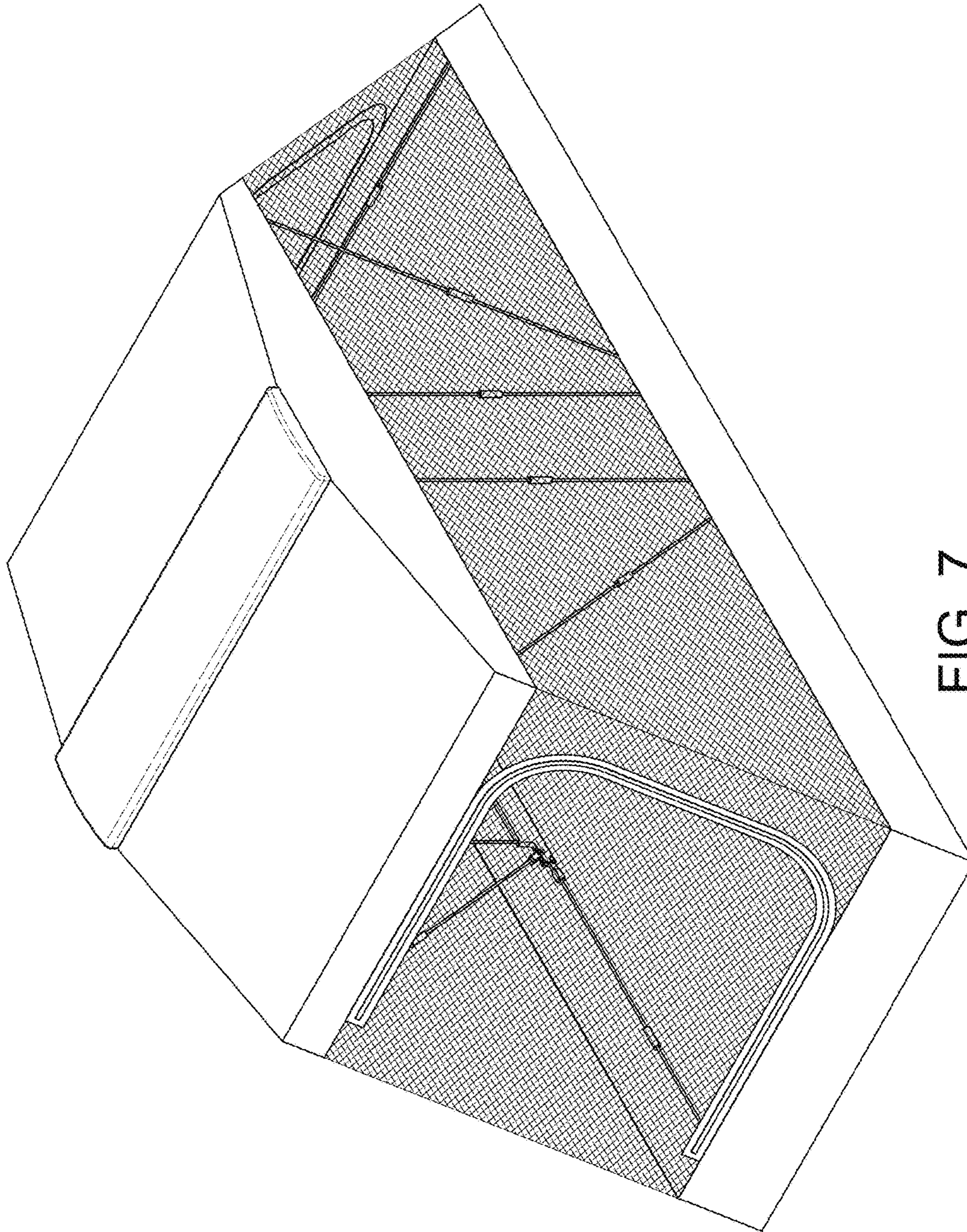


FIG. 7

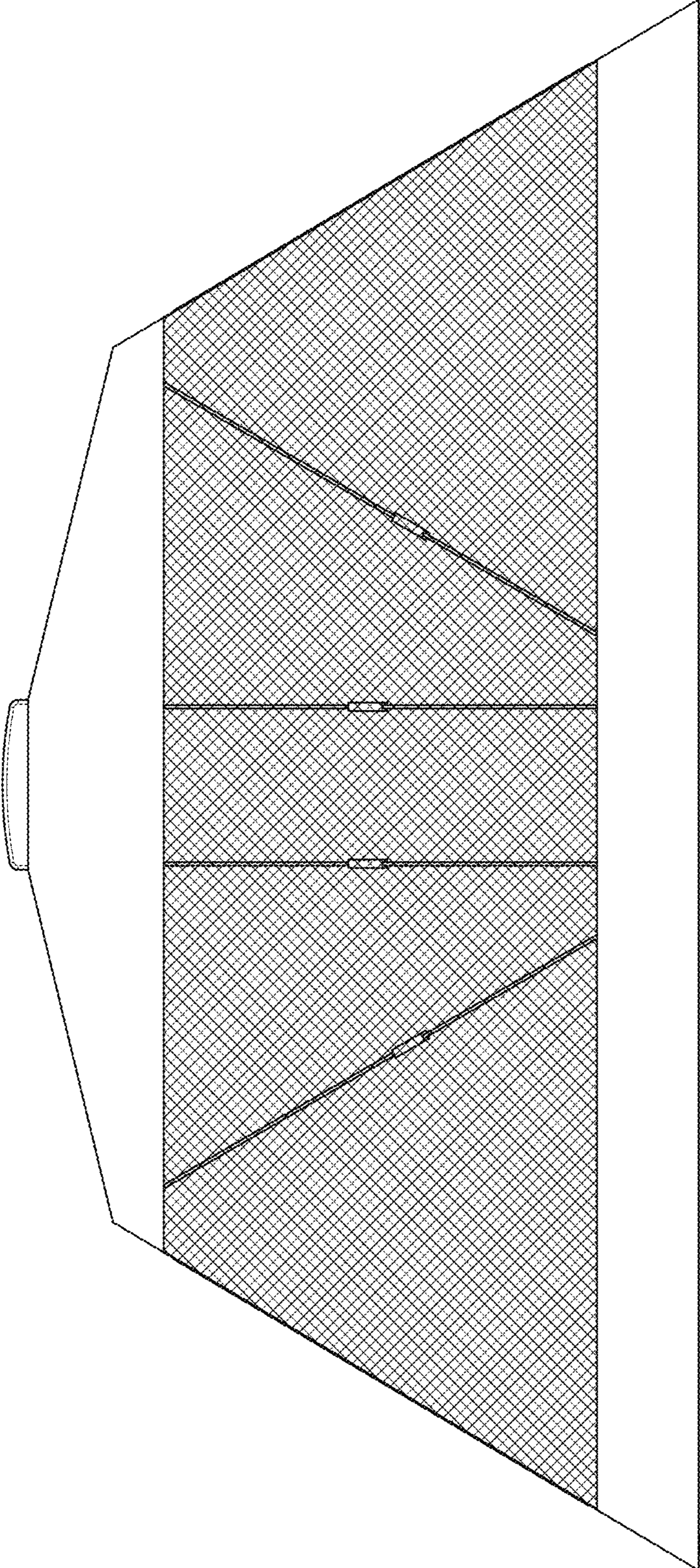


FIG. 8

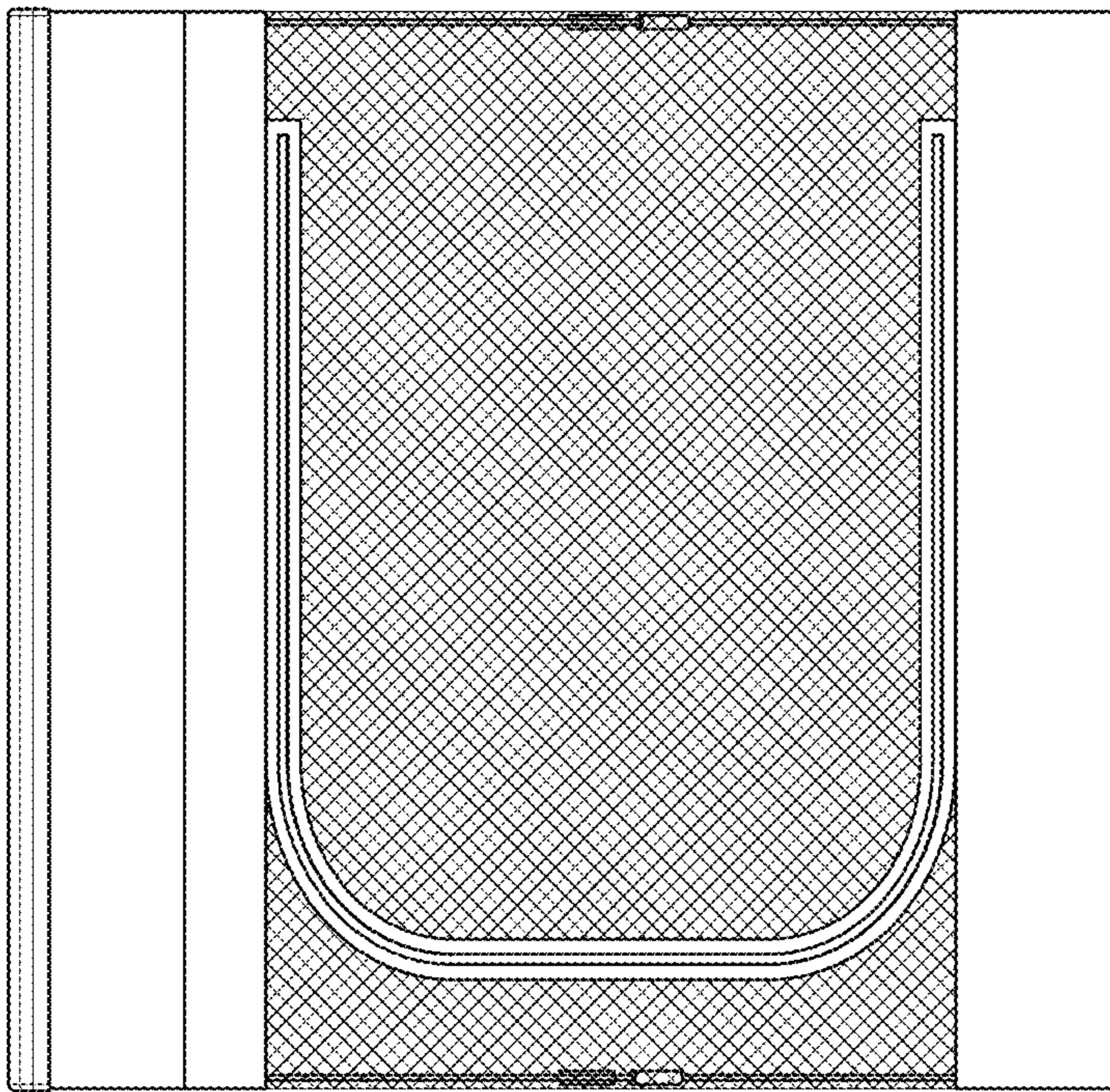


FIG. 9

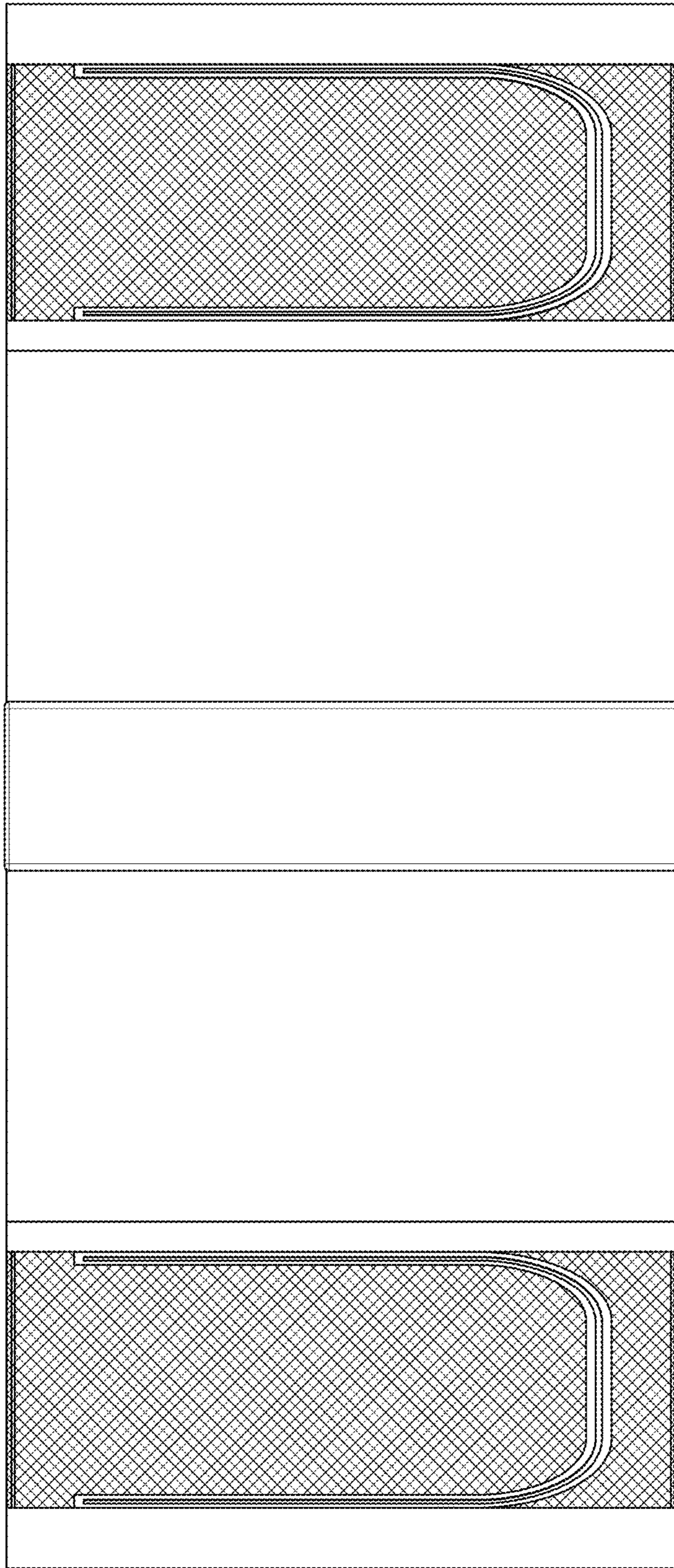


FIG. 10

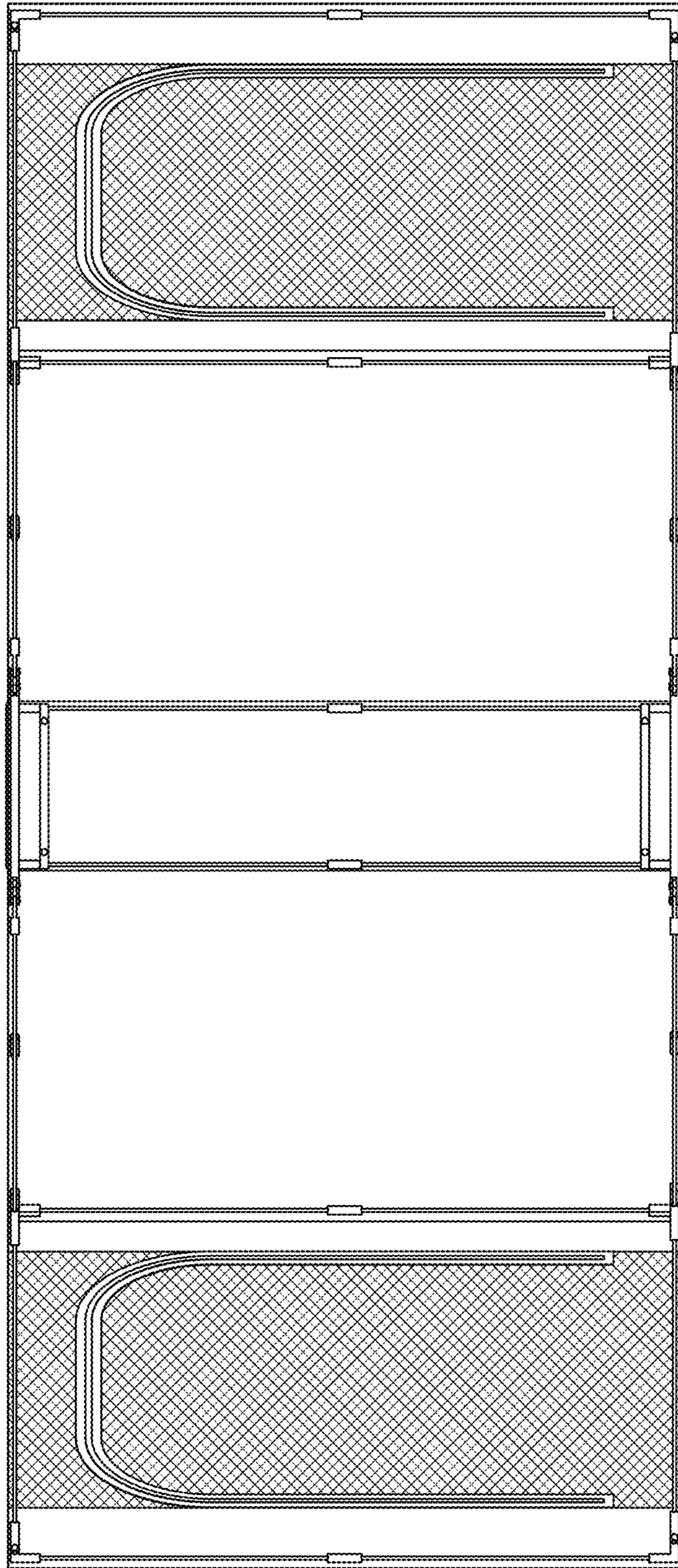


FIG. 11