



US00D776774S

(12) **United States Design Patent**
Galimard

(10) **Patent No.:** **US D776,774 S**

(45) **Date of Patent:** **** Jan. 17, 2017**

(54) **TRACK SECTION**

(71) Applicant: **Frederic Galimard**, Bulahdelah (AU)

(72) Inventor: **Frederic Galimard**, Bulahdelah (AU)

(**) Term: **14 Years**

(21) Appl. No.: **29/516,676**

(22) Filed: **Feb. 5, 2015**

(51) **LOC (10) Cl.** **21-03**

(52) **U.S. Cl.**
USPC **D21/814**

(58) **Field of Classification Search**
USPC D2/811, 814; D21/811, 814, 828-833;
D34/27; D23/266; D25/122
CPC A63G 21/00-21/22; A63G 7/00; A63G
27/00; E01B 25/00-25/34; B61B 3/00
See application file for complete search history.

(56) **References Cited**

U.S. PATENT DOCUMENTS

3,093,372	A *	6/1963	Cirami	A63G 1/00	104/53
3,858,520	A *	1/1975	Patin	B61B 3/00	104/112
3,889,605	A *	6/1975	Bacon	A63G 21/10	104/124
4,170,943	A *	10/1979	Achrekar	A63G 21/08	104/56
4,548,136	A *	10/1985	Yamada	A63G 7/00	104/172.3
4,831,937	A *	5/1989	Yamada	A63G 21/04	104/246
D334,787	S *	4/1993	Bickford	D21/814	
5,272,984	A *	12/1993	Bolliger	A63G 7/00	104/63
5,433,153	A *	7/1995	Yamada	A63G 7/00	104/241

D375,600	S *	11/1996	Hirano	D23/266	
5,738,016	A *	4/1998	Scott	E01B 25/00	104/107
6,047,645	A *	4/2000	Cornwell	B61B 13/04	104/124

(Continued)

FOREIGN PATENT DOCUMENTS

AU 24509/92 A 3/1993

Primary Examiner — Mitchell Siegel

(74) *Attorney, Agent, or Firm* — Darren Gardner

(57) **CLAIM**

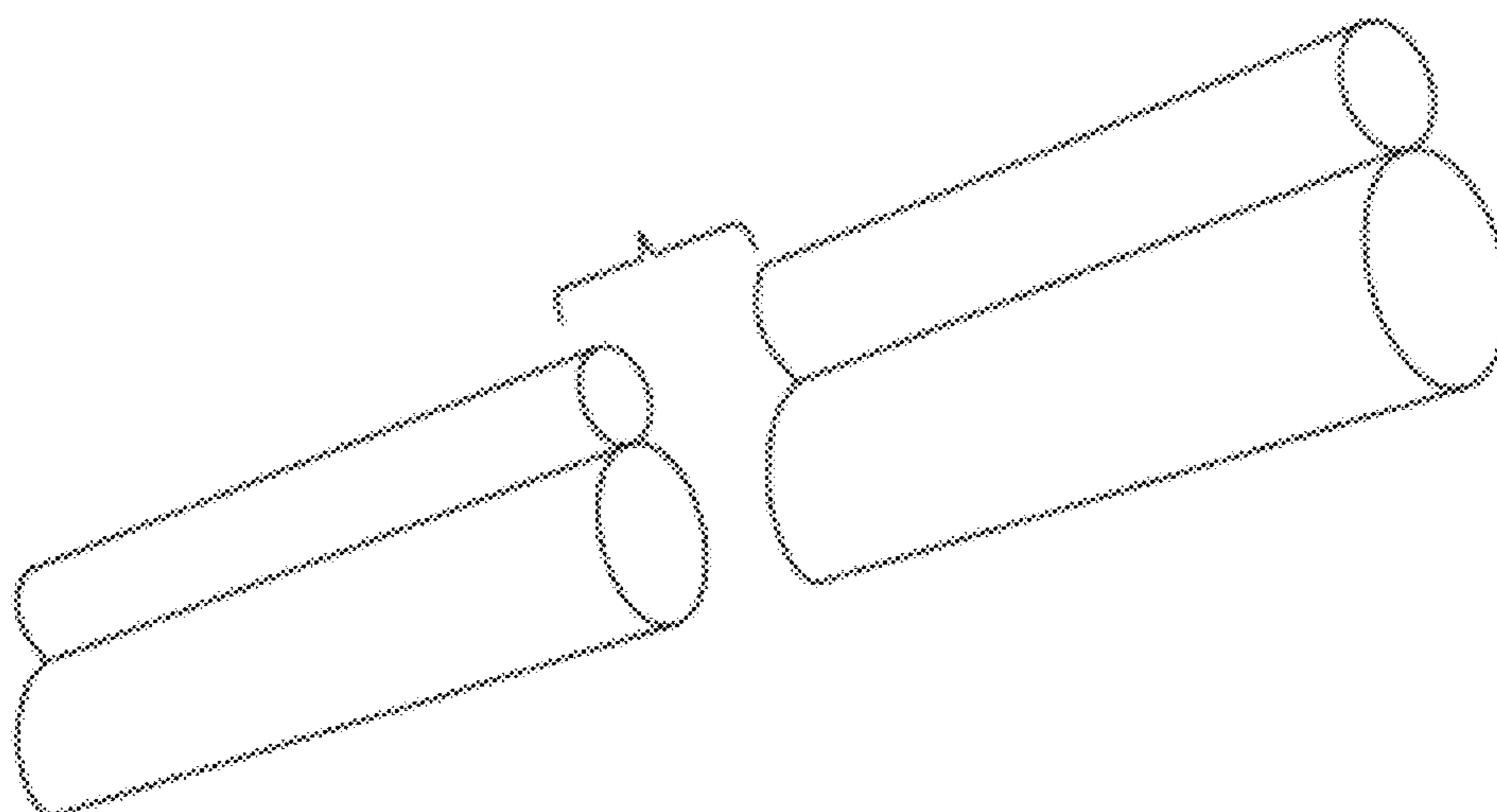
The ornamental design for track section, as shown and described.

DESCRIPTION

FIG. 1 is a left side view of the track section;
 FIG. 2 is a right side view of the track section;
 FIG. 3 is a front elevation view of the track section;
 FIG. 4 is a rear elevation view of the track section;
 FIG. 5 is a top plan view of the track section;
 FIG. 6 is a bottom plan view of the track section;
 FIG. 7 is a perspective view of the track section;
 FIG. 8 is a left side view of a second embodiment of the track section;
 FIG. 9 is a right side view of FIG. 8;
 FIG. 10 is a front elevation view of FIG. 8;
 FIG. 11 is a rear elevation view of FIG. 8;
 FIG. 12 is a top plan view of FIG. 8;
 FIG. 13 is a bottom plan view of FIG. 8; and,
 FIG. 14 is a perspective view of FIG. 8.

The broken away symbols in the drawings indicate the appearance of any portion of the article between the break lines forms no part of the claimed design.

1 Claim, 2 Drawing Sheets



(56)

References Cited

U.S. PATENT DOCUMENTS

D443,041	S *	5/2001	Uhlenkott	D23/266
6,402,624	B1 *	6/2002	Larson	A63G 27/00
					104/63
D481,439	S *	10/2003	Diego	D21/828
D488,545	S *	4/2004	Takamatu	D23/266
6,994,629	B2 *	2/2006	Bussink	A63G 27/02
					472/44
7,351,154	B2 *	4/2008	Muller	A63G 7/00
					104/55
7,594,473	B2 *	9/2009	Kitchen	A63G 7/00
					104/53
D612,916	S *	3/2010	Hartman	D23/266
D656,213	S *	3/2012	Kitchen	D21/814
D670,781	S *	11/2012	Kitchen	D21/830
D671,609	S *	11/2012	Kitchen	D21/830
8,375,863	B2 *	2/2013	Roodenburg	A63G 7/00
					104/53
D678,450	S *	3/2013	Kitchen	D21/830
D678,975	S *	3/2013	Kitchen	D21/830
D687,914	S *	8/2013	Kitchen	D21/830
8,641,541	B2 *	2/2014	Kitchen	A63G 27/02
					472/44
D720,438	S *	12/2014	Totten	D23/266
2006/0137563	A1 *	6/2006	Cummins	A63G 7/00
					104/53
2007/0113753	A1 *	5/2007	Meindl	A63G 21/20
					104/173.1
2009/0320712	A1 *	12/2009	MacMahon	A63G 27/02
					104/76

* cited by examiner

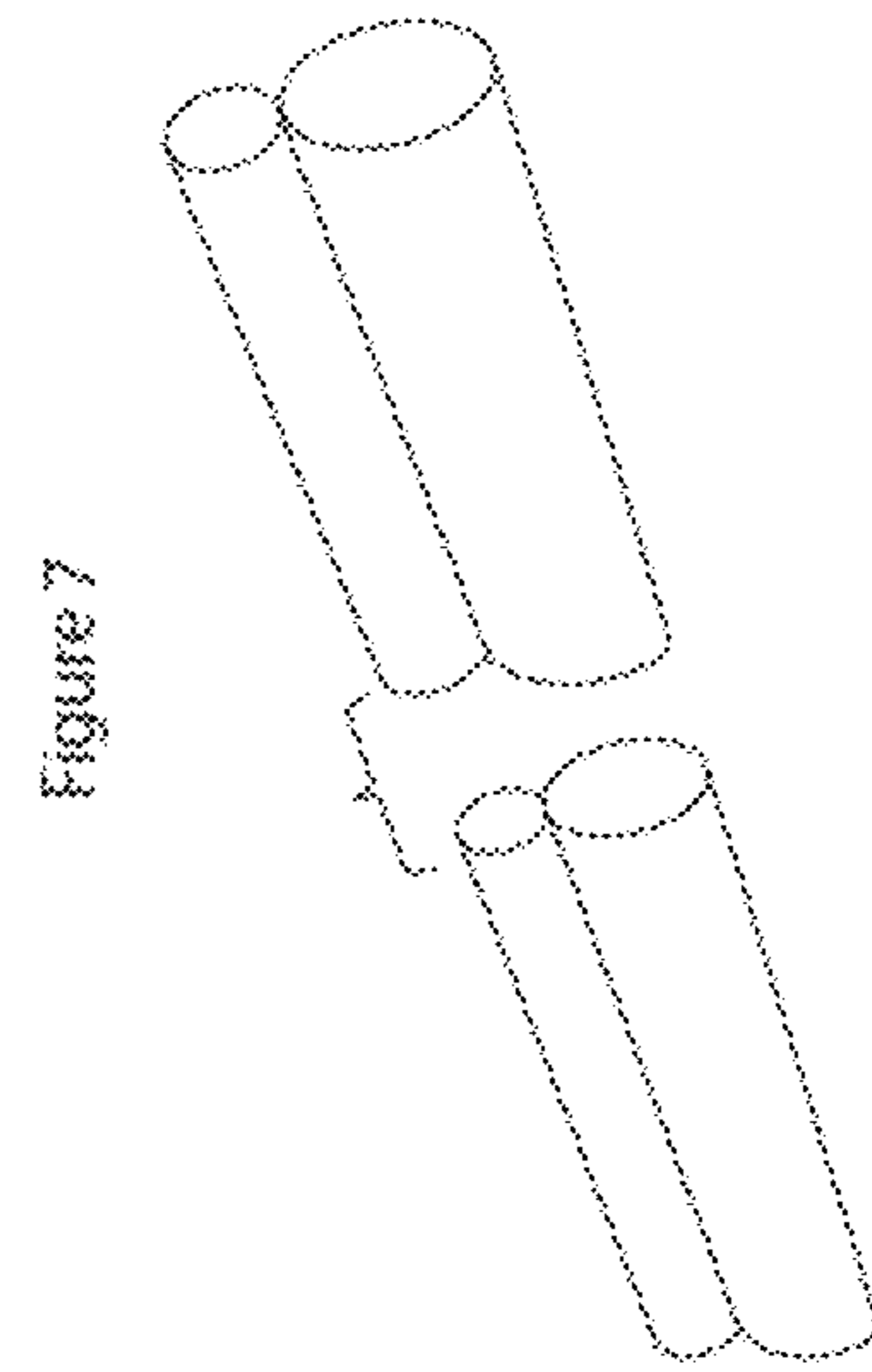
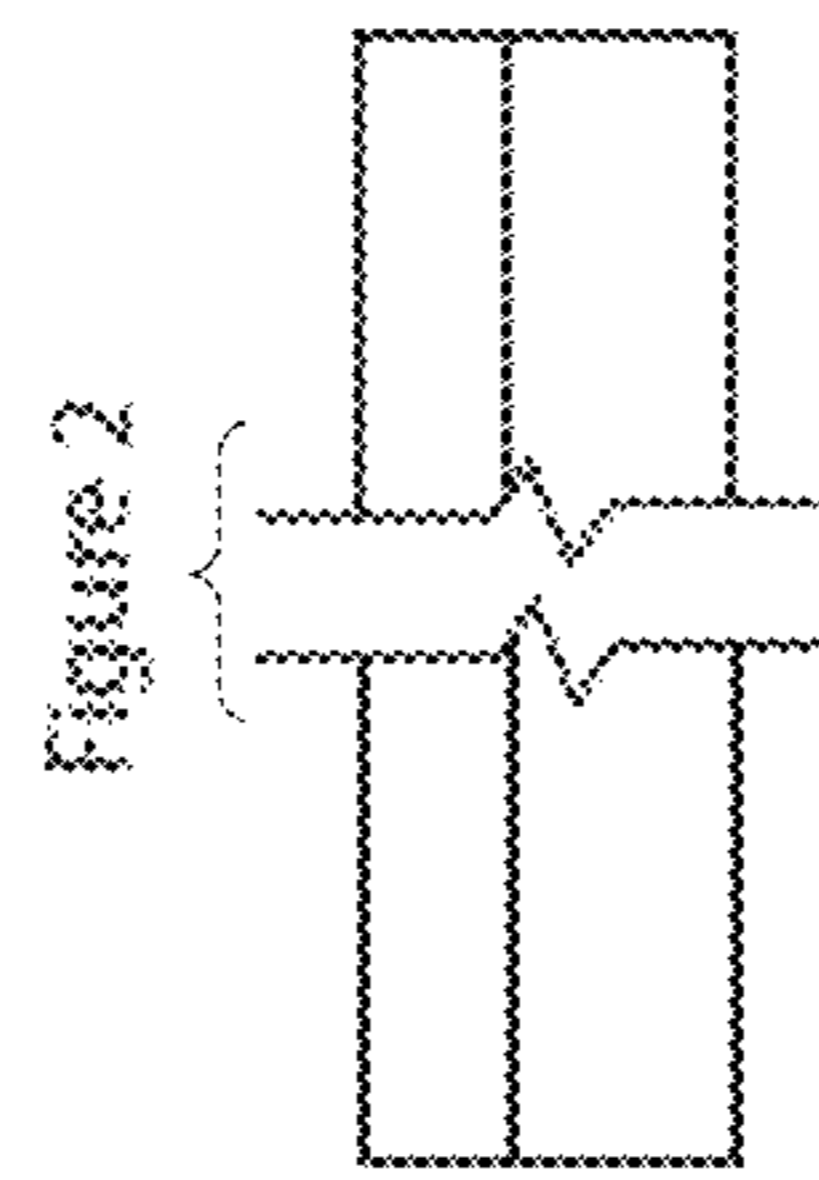
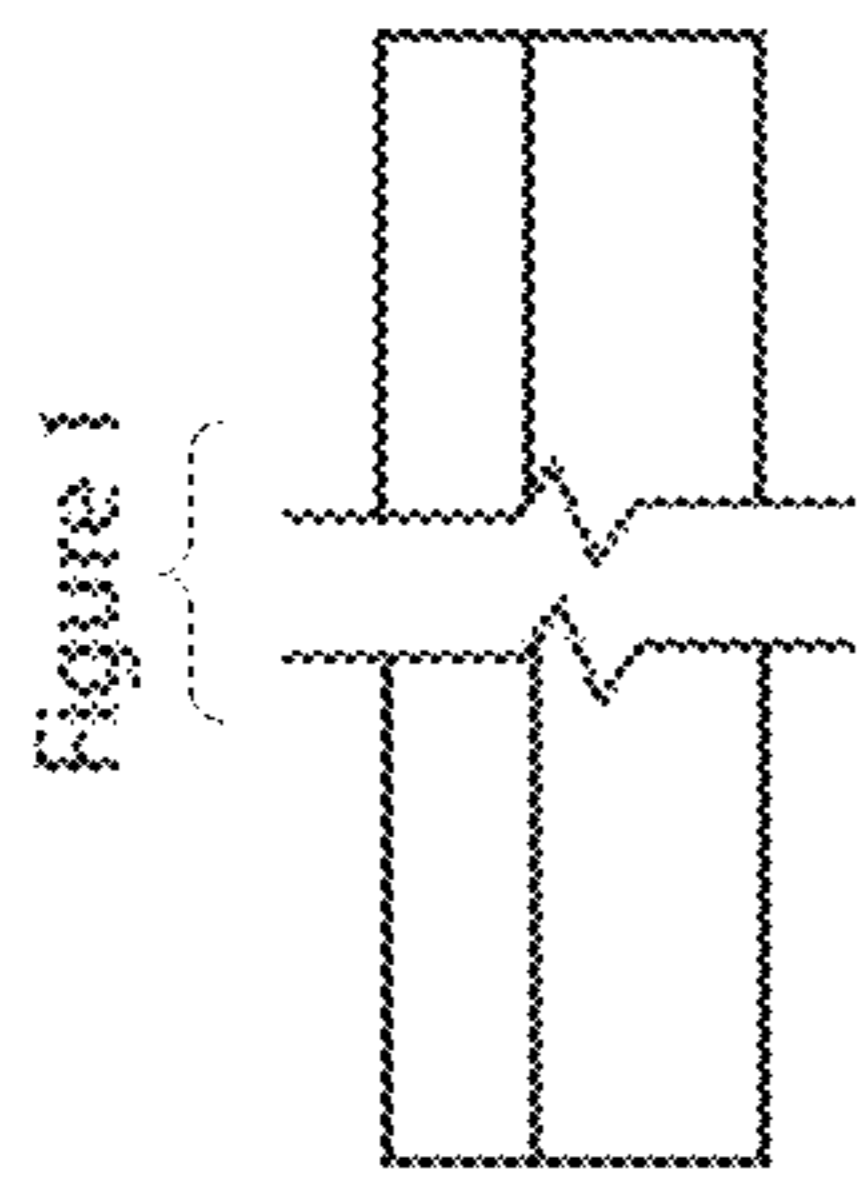
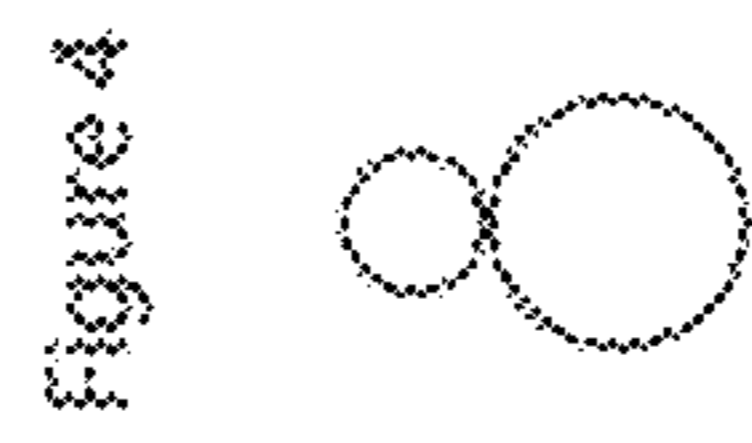
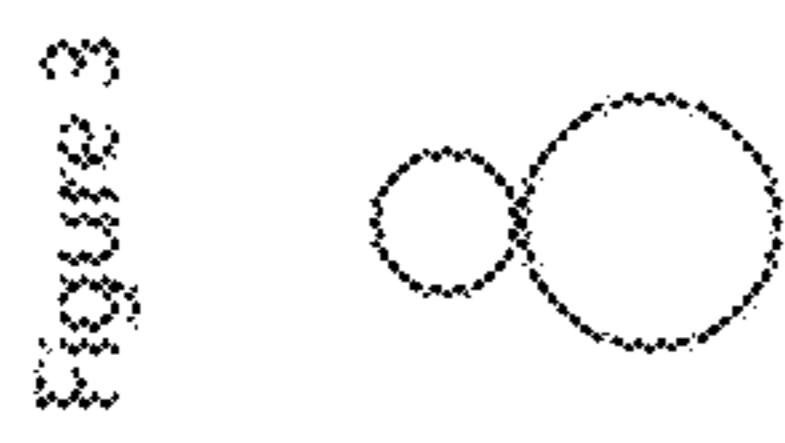
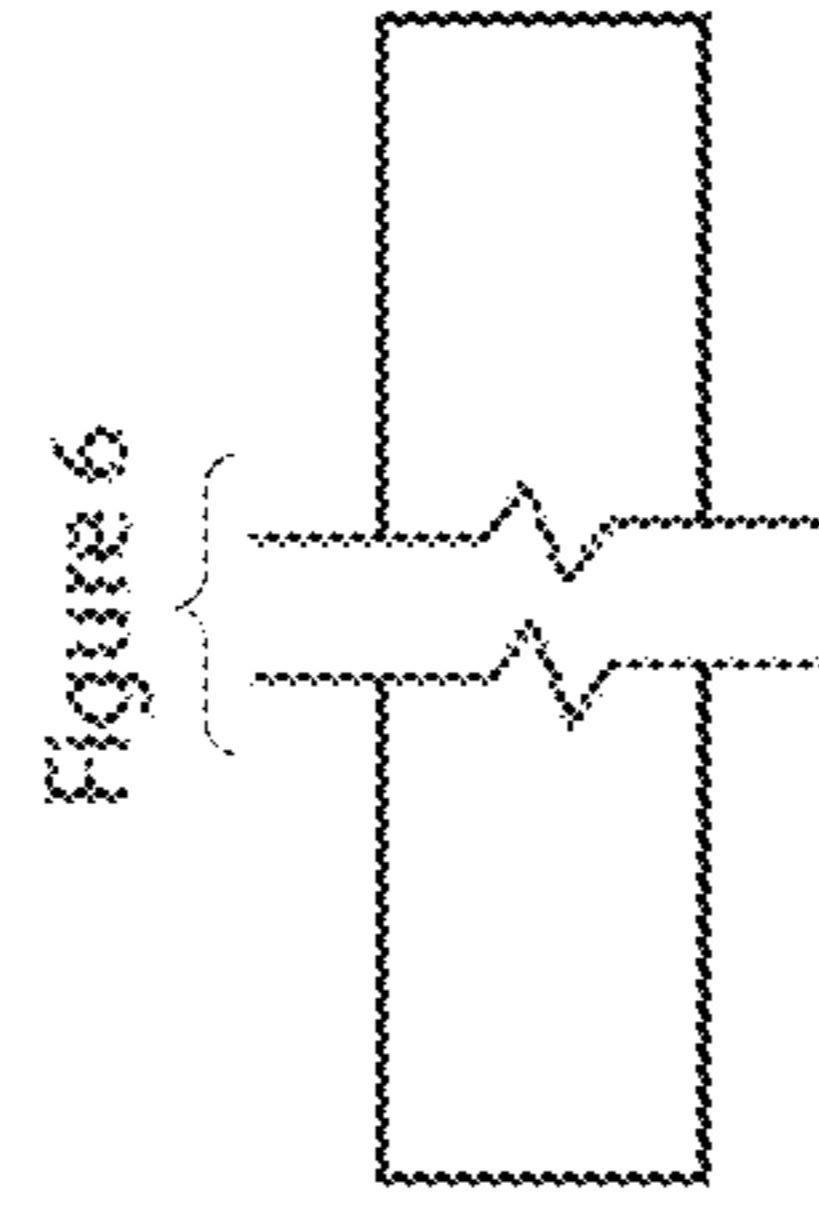
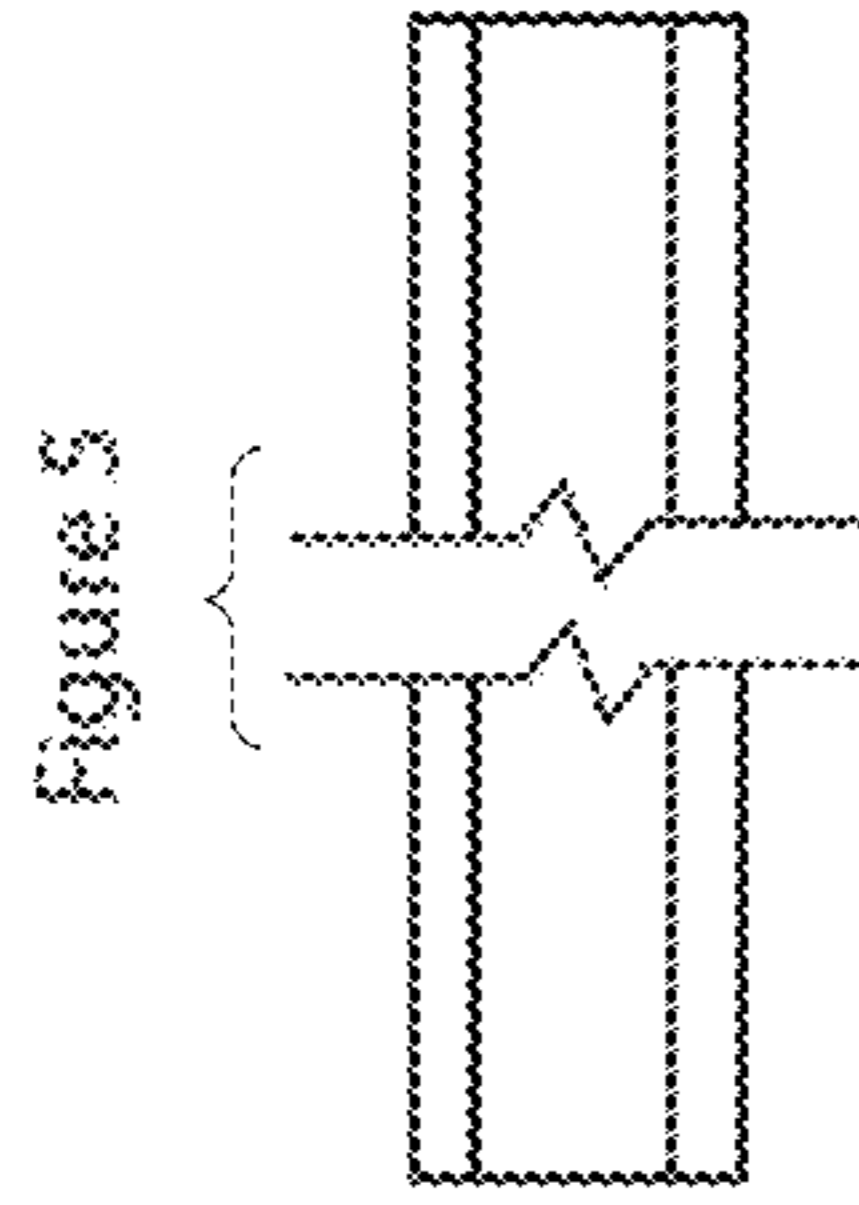


Figure 12

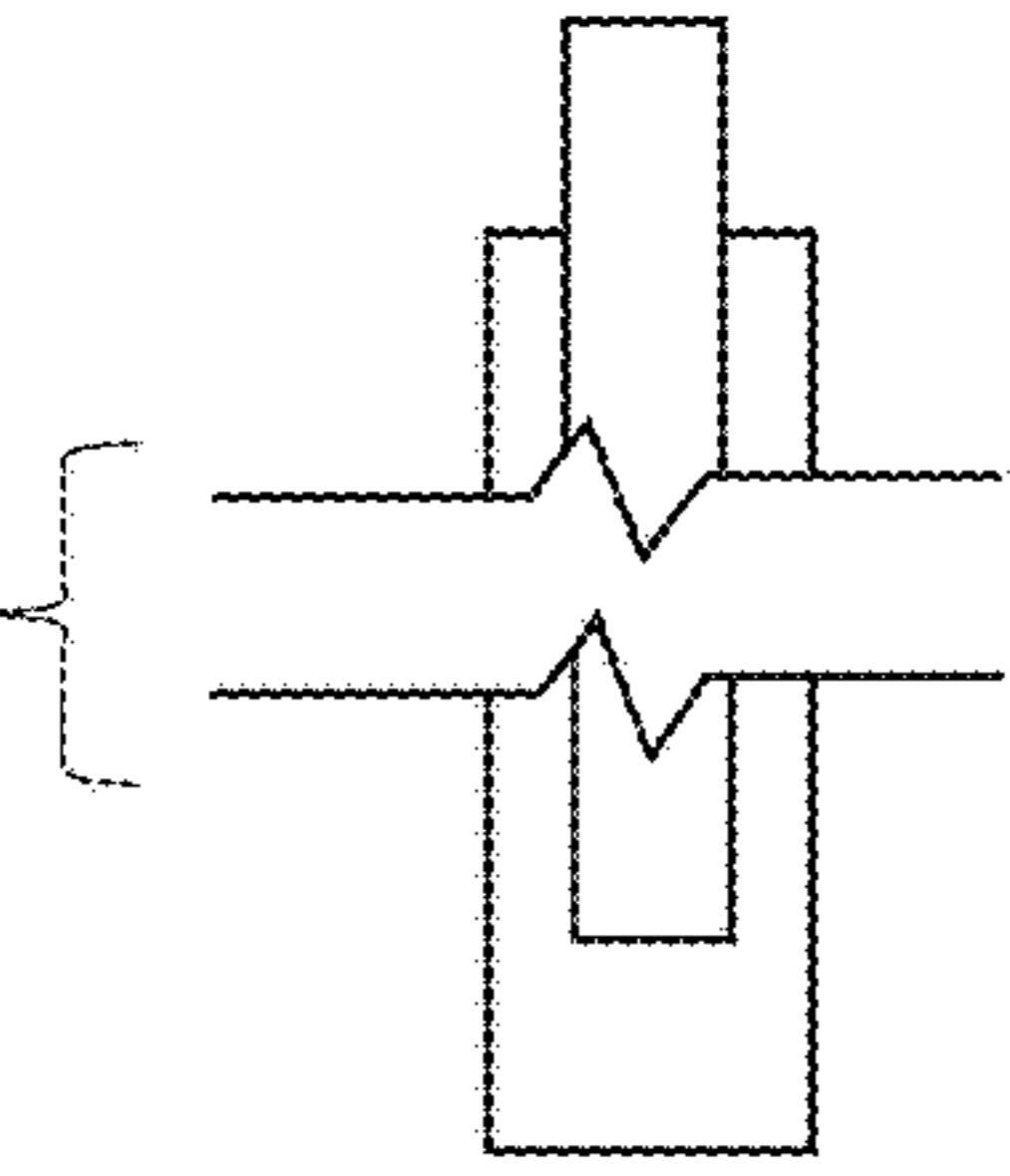


Figure 13

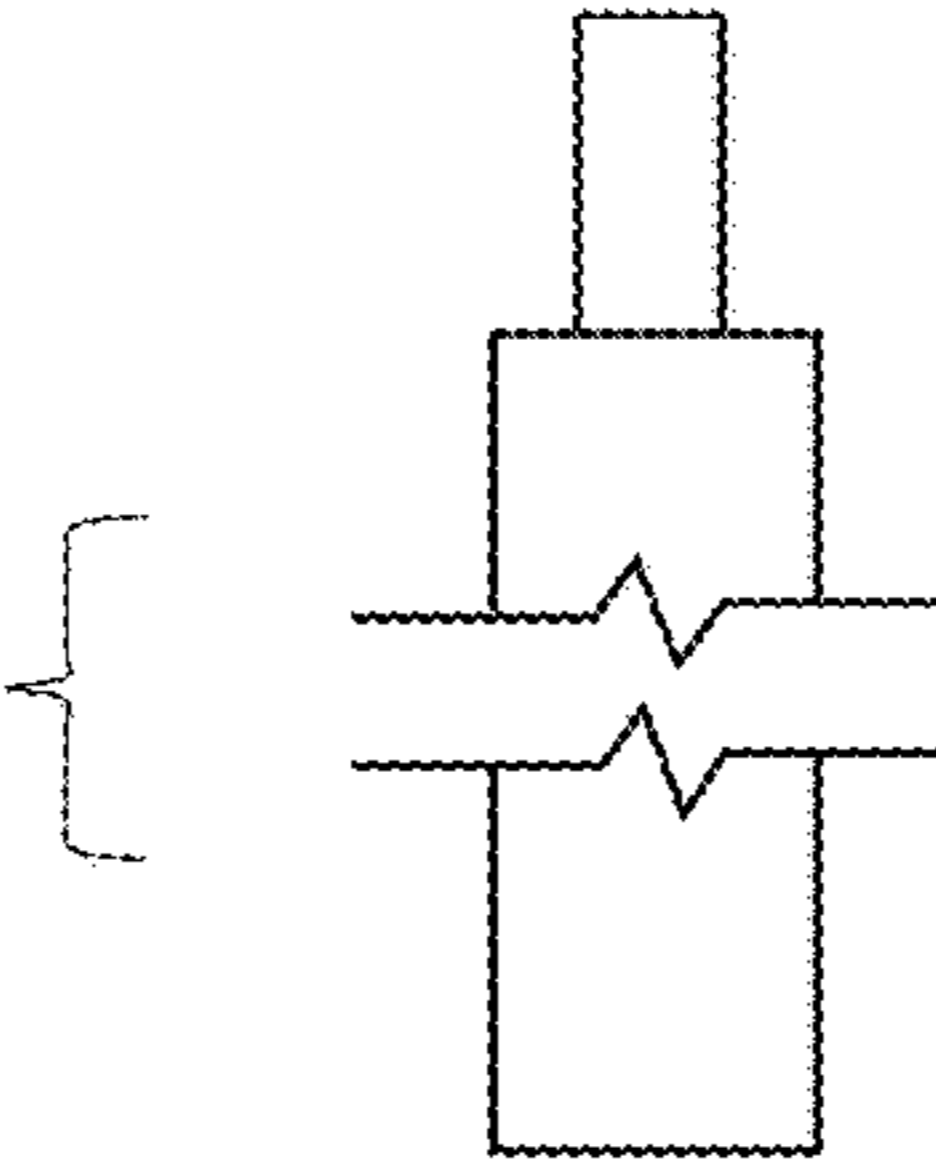


Figure 10

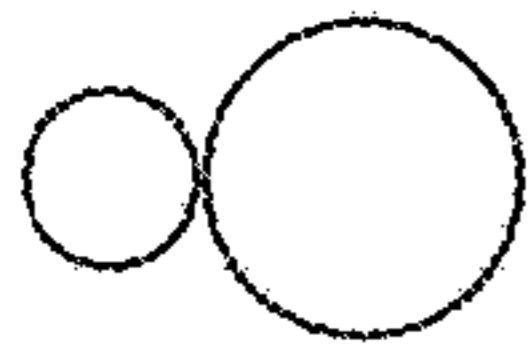


Figure 11

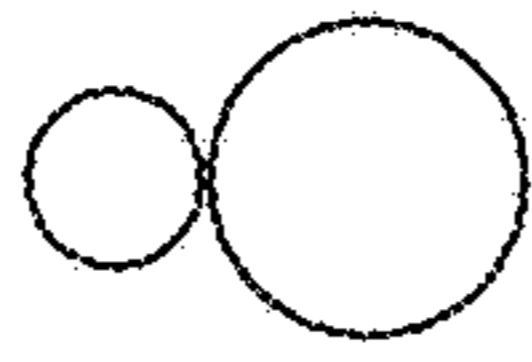


Figure 14

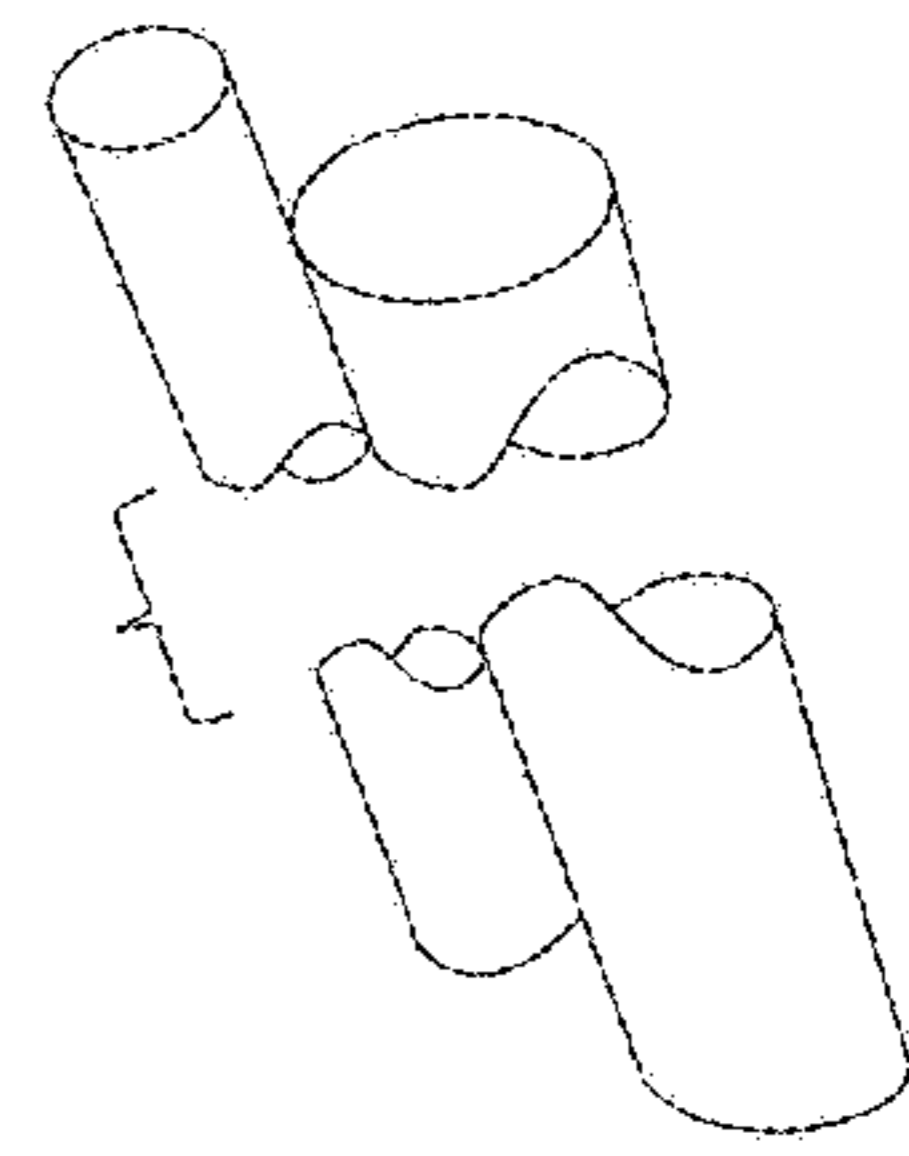


Figure 8

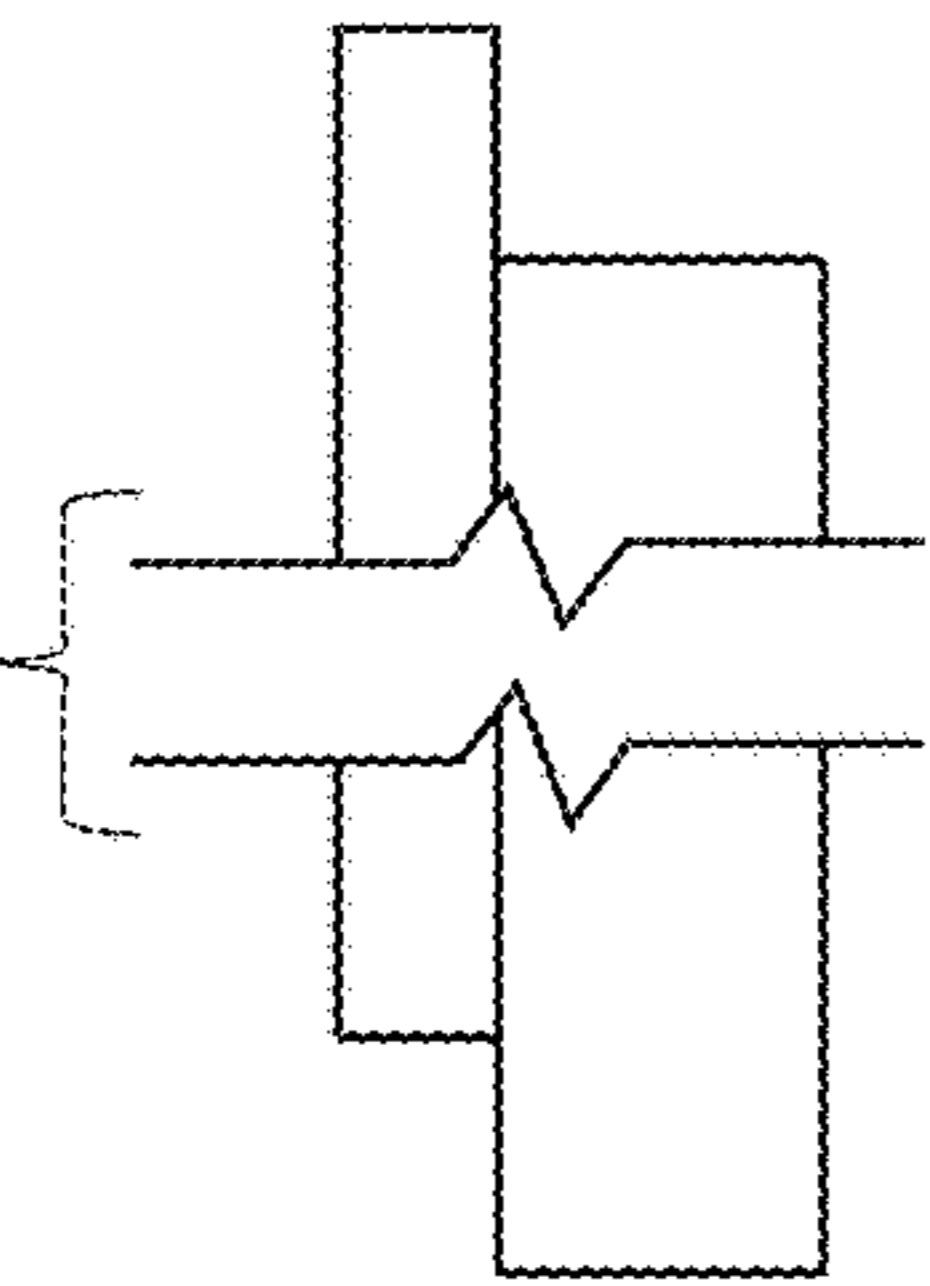


Figure 9

