



US00D776772S

(12) **United States Design Patent** (10) **Patent No.:** **US D776,772 S**
Foster et al. (45) **Date of Patent:** **** Jan. 17, 2017**

(54) **GOLF CLUB HEAD**

(71) Applicant: **CALLAWAY GOLF COMPANY,**
Carlsbad, CA (US)

(72) Inventors: **Philip G. Foster,** Vista, CA (US); **Scott R. Manwaring,** Carlsbad, CA (US)

(73) Assignee: **Callaway Golf Company,** Carlsbad, CA (US)

(**) Term: **14 Years**

(21) Appl. No.: **29/511,574**

(22) Filed: **Dec. 11, 2014**

(51) **LOC (10) Cl.** **21-02**

(52) **U.S. Cl.**
USPC **D21/759**

(58) **Field of Classification Search**
USPC D21/747-751, 759
CPC A63B 53/00; A63B 53/04; A63B 53/047;
A63B 53/0475
See application file for complete search history.

(56) **References Cited**

U.S. PATENT DOCUMENTS

| | | | |
|--------------|--------|-----------------------|---------|
| D591,373 S * | 4/2009 | Foster et al. | D21/747 |
| D598,967 S * | 8/2009 | Kim et al. | D21/747 |
| D618,293 S * | 6/2010 | Foster et al. | D21/747 |
| D620,063 S * | 7/2010 | Llewellyn et al. | D21/759 |
| D652,093 S * | 1/2012 | Foster | D21/747 |
| D663,369 S * | 7/2012 | Foster | D21/749 |
| D704,290 S * | 5/2014 | Cardani et al. | D21/759 |

| | | | |
|--------------|---------|-------------------|---------|
| D707,772 S * | 6/2014 | Oldknow | D21/759 |
| D708,282 S * | 7/2014 | Oldknow | D21/759 |
| D709,576 S * | 7/2014 | Oldknow | D21/759 |
| D709,974 S * | 7/2014 | Oldknow | D21/759 |
| D715,881 S * | 10/2014 | Roche et al. | D21/759 |

* cited by examiner

Primary Examiner — Mitchell Siegel

(74) *Attorney, Agent, or Firm* — Michael A. Catania;
Rebecca Hanovice; Sonia Lari

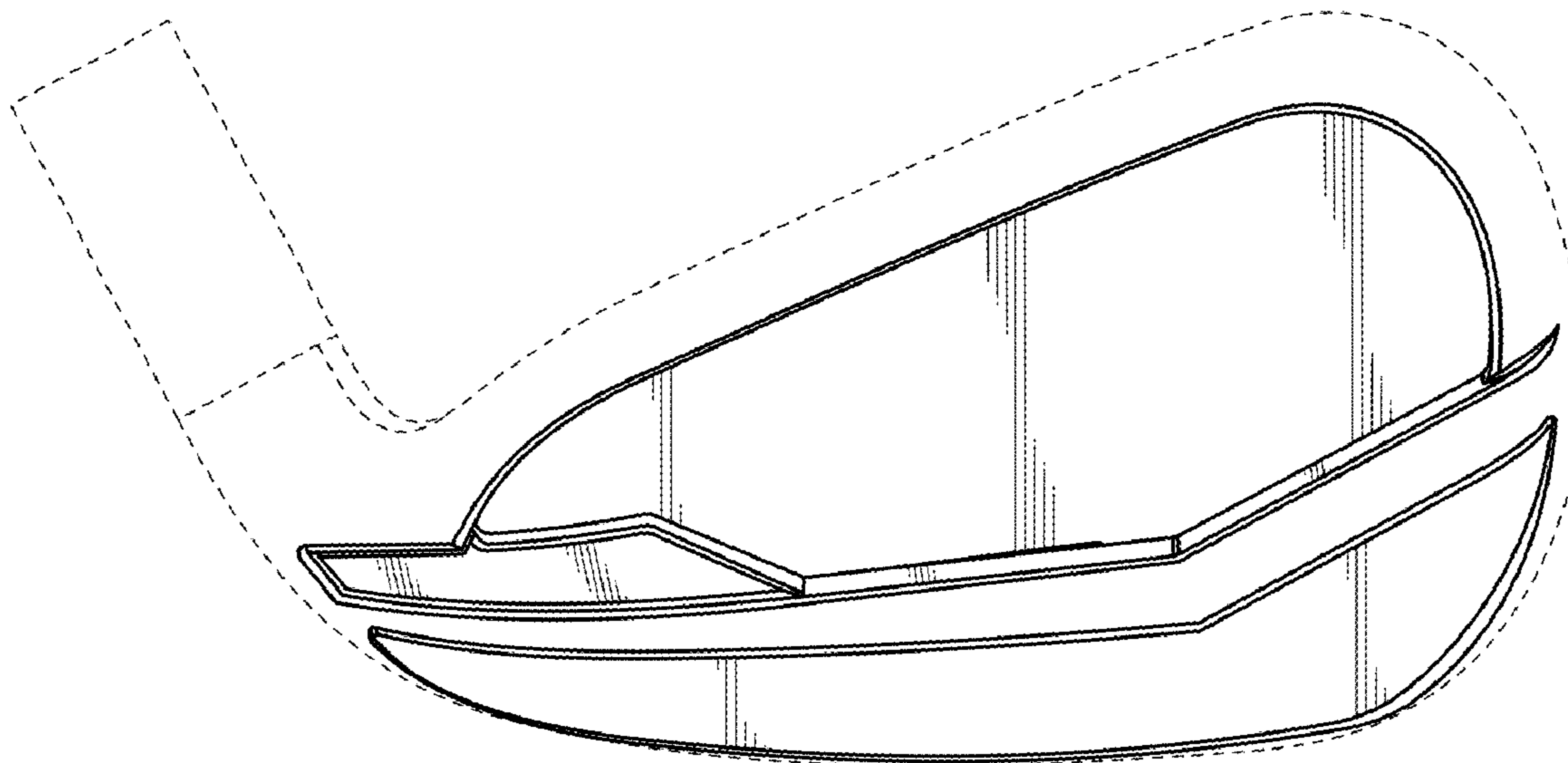
(57) **CLAIM**

The ornamental design for a golf club head, as shown and described.

DESCRIPTION

FIG. 1 is a top perspective view of a golf club head;
FIG. 2 is a rear elevation view of the golf club head of FIG. 1;
FIG. 3 is a front elevation view of a golf club head of FIG. 1;
FIG. 4 is a top plan view of a golf club head of FIG. 1;
FIG. 5 is a bottom plan view of a golf club head of FIG. 1;
FIG. 6 is a heel-side elevation view of the golf club head of FIG. 1; and,
FIG. 7 is a toe-side elevation view of the golf club head of FIG. 1.
The broken lines in the drawings illustrate unclaimed features of the golf club head.

1 Claim, 3 Drawing Sheets



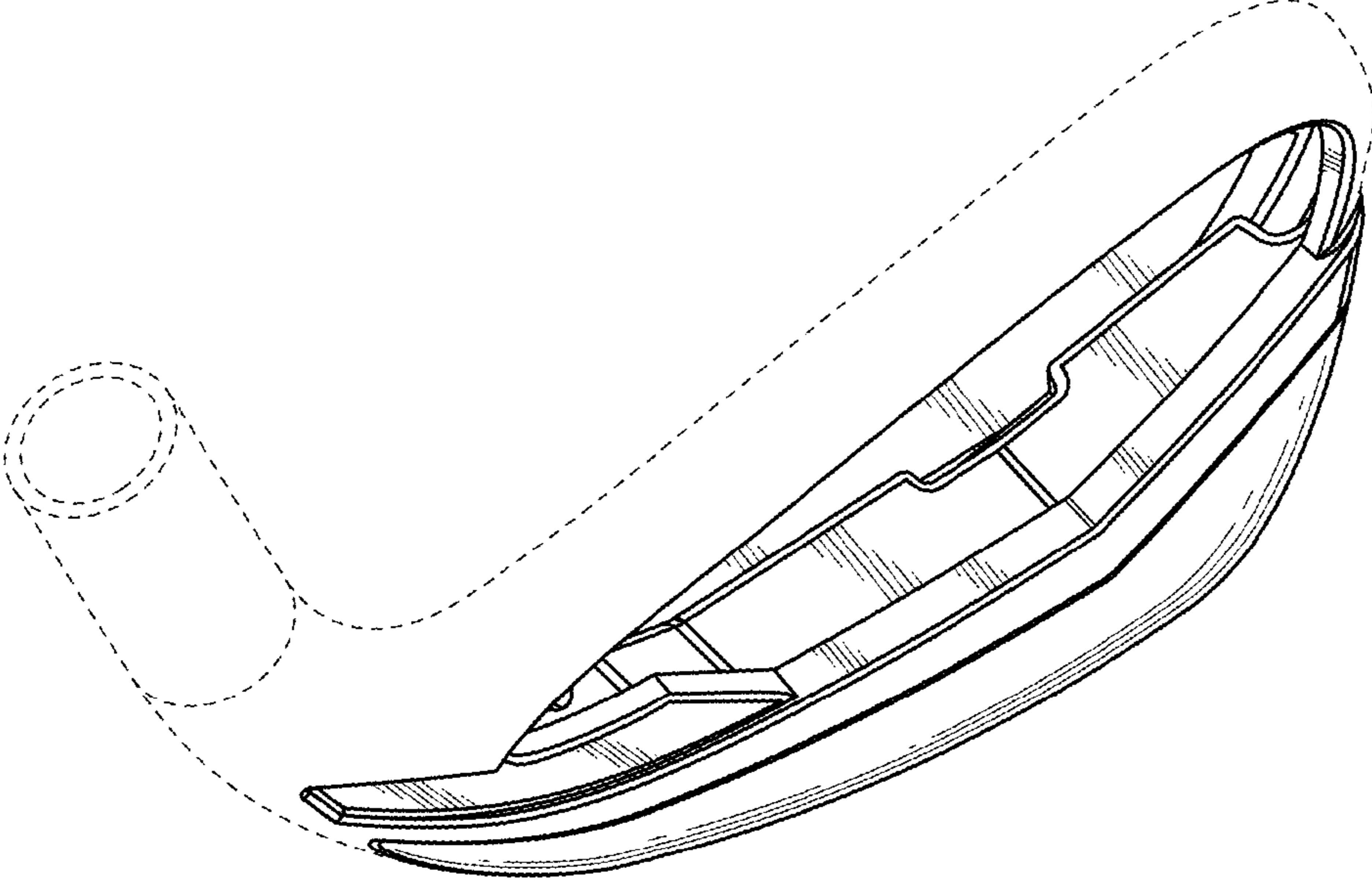


FIG. 1

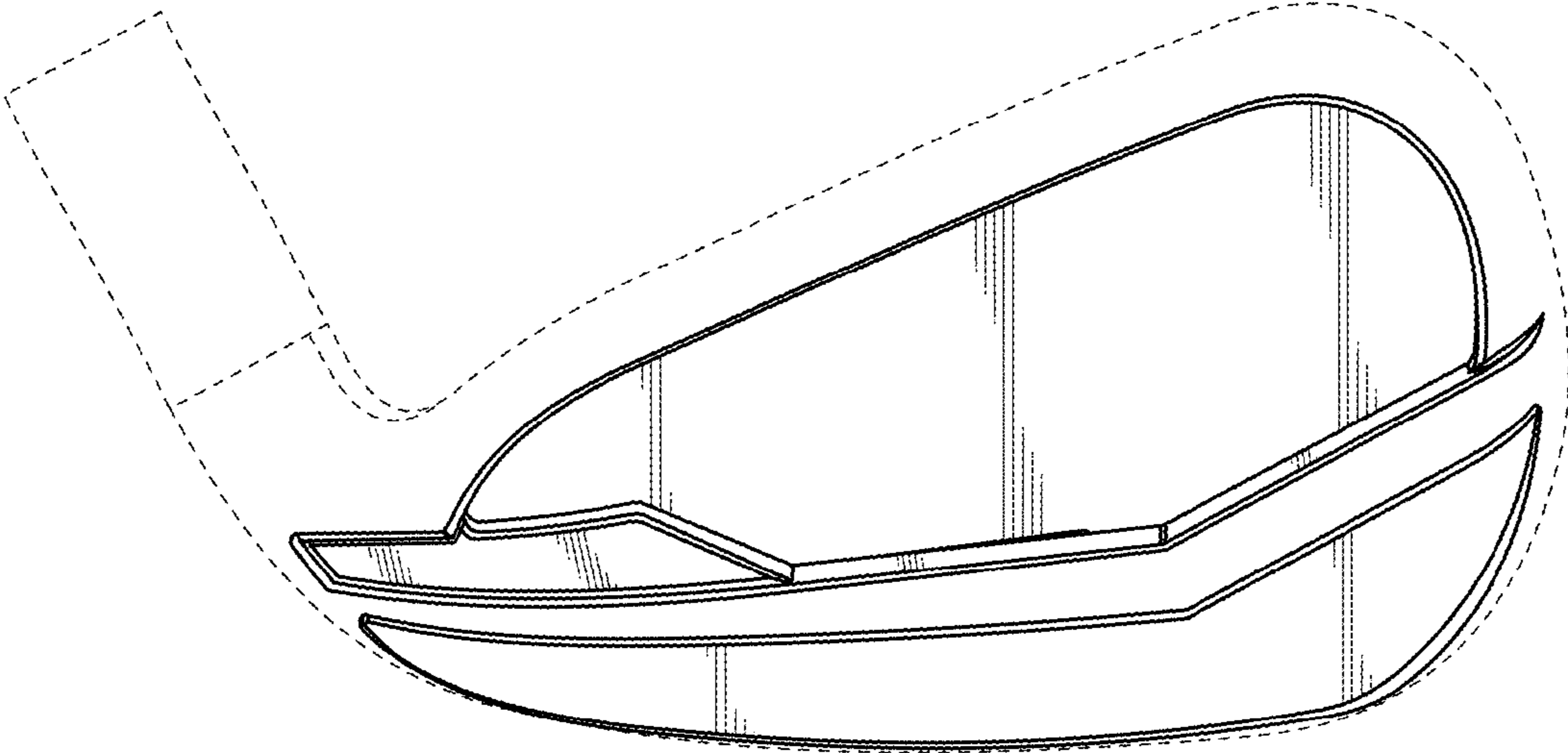


FIG. 2

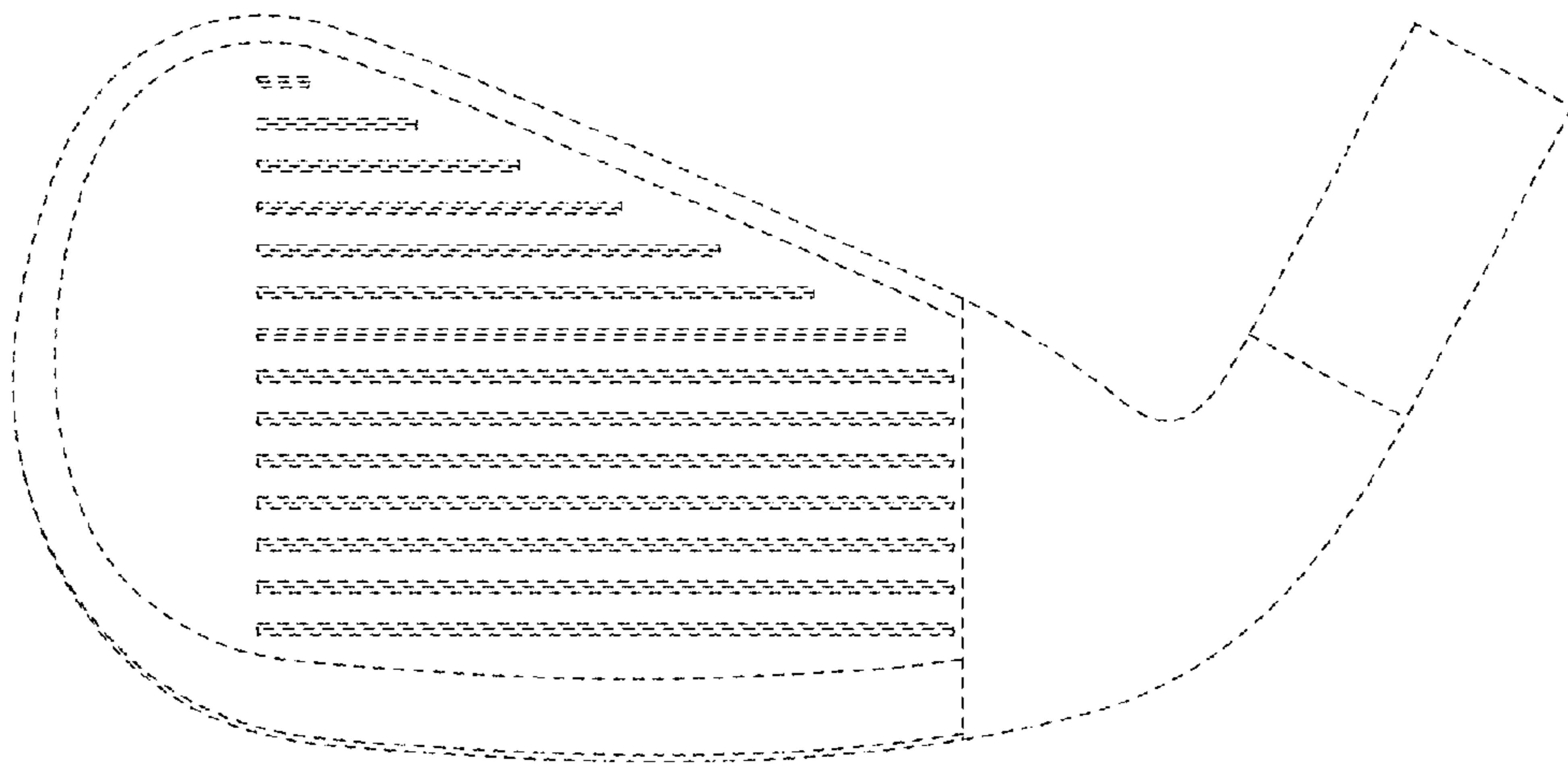


FIG. 3

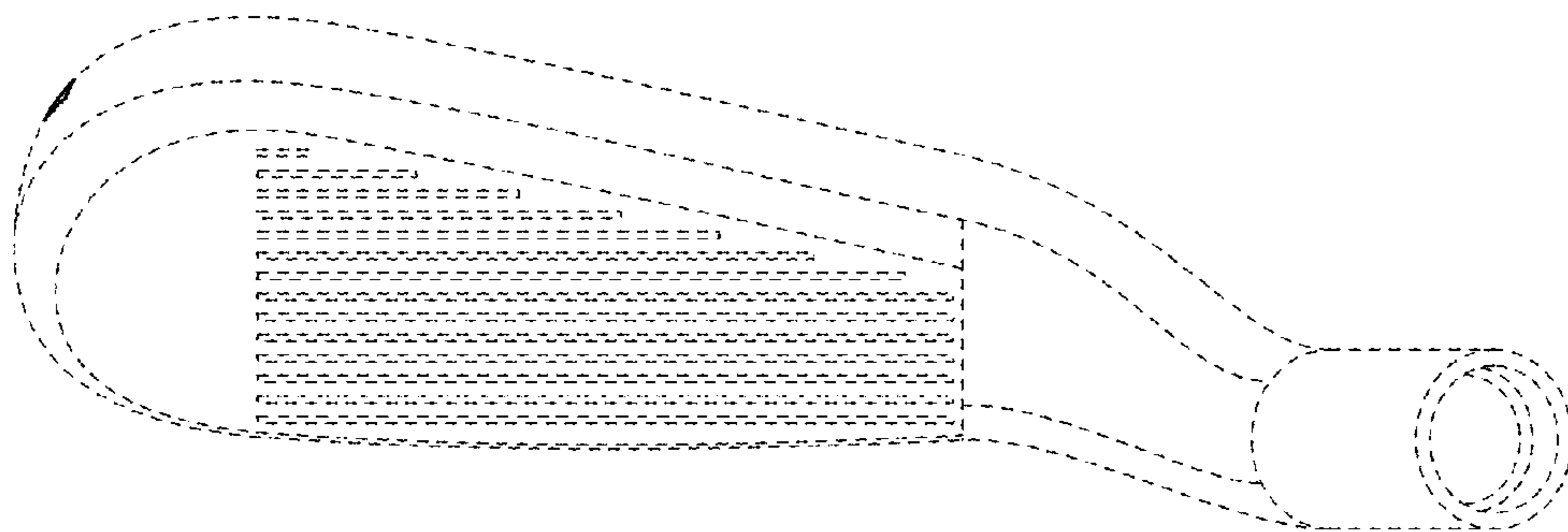


FIG. 4

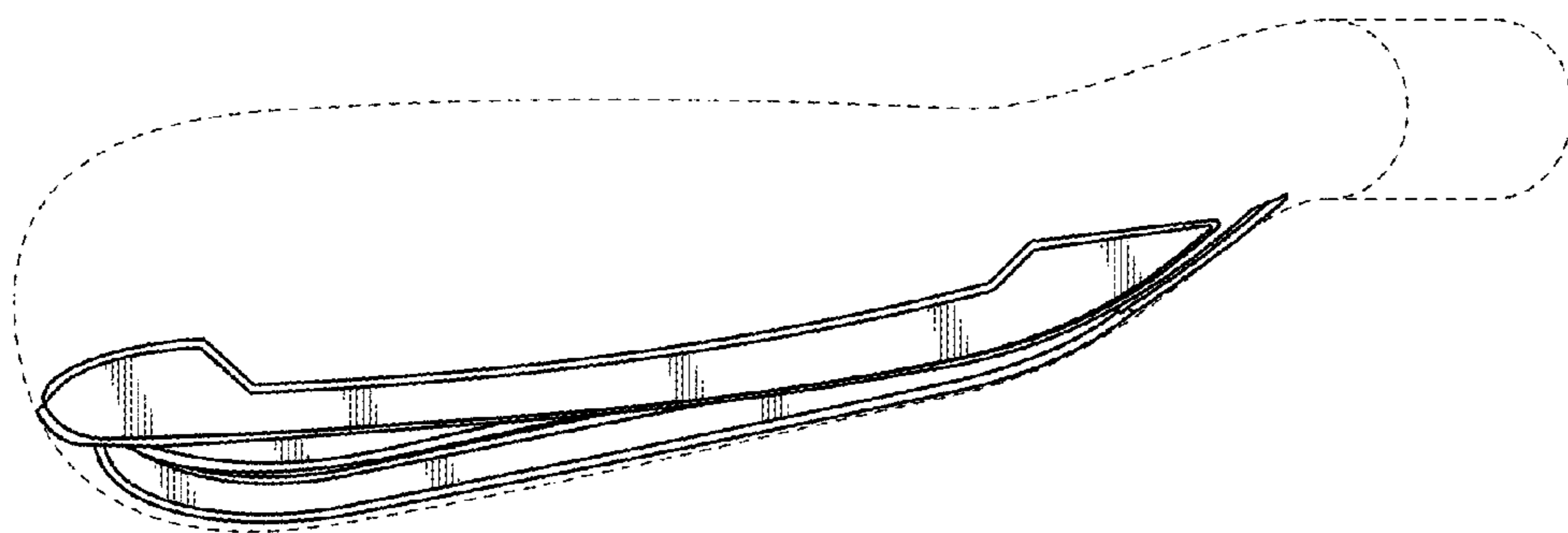


FIG. 5

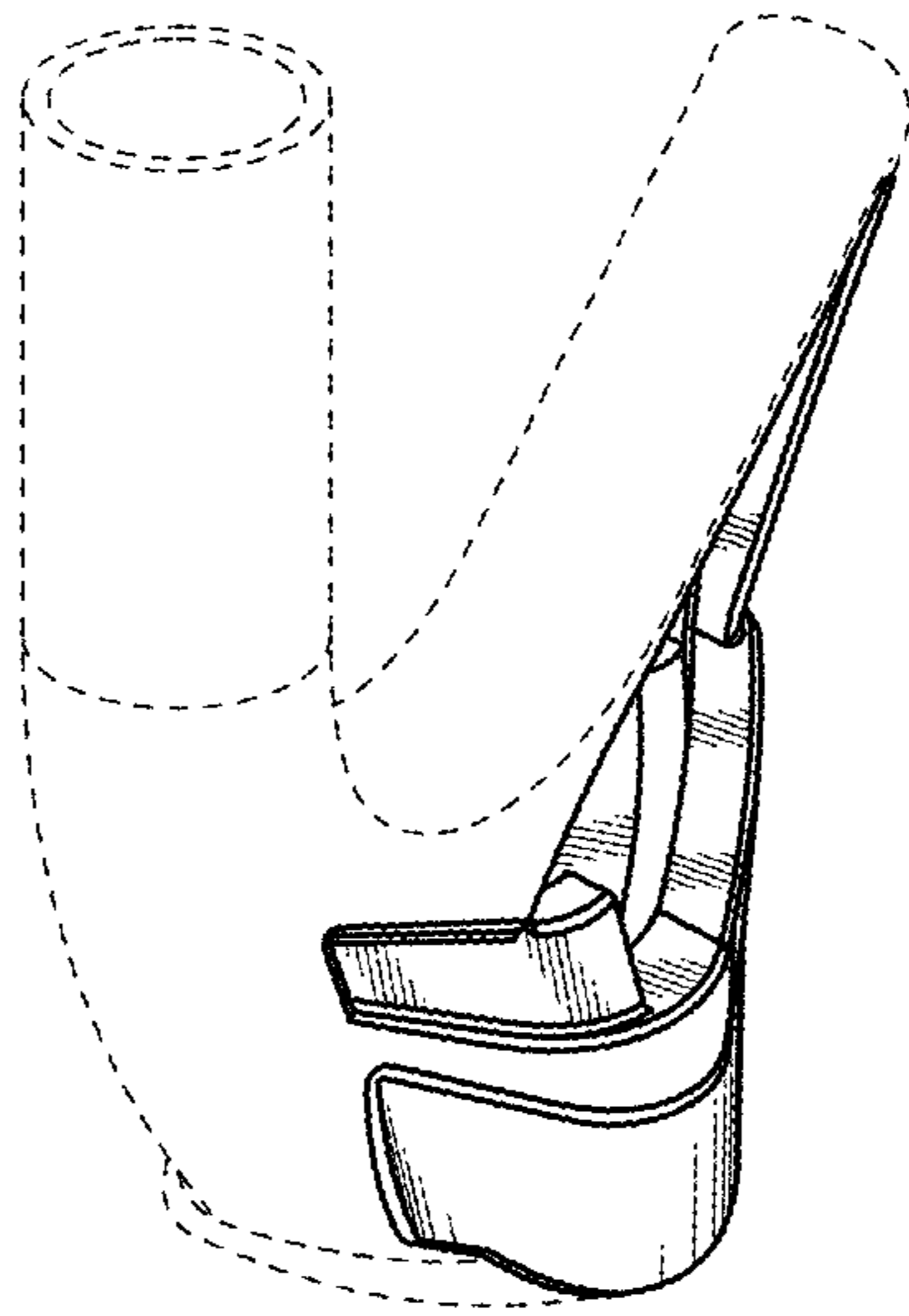


FIG. 6

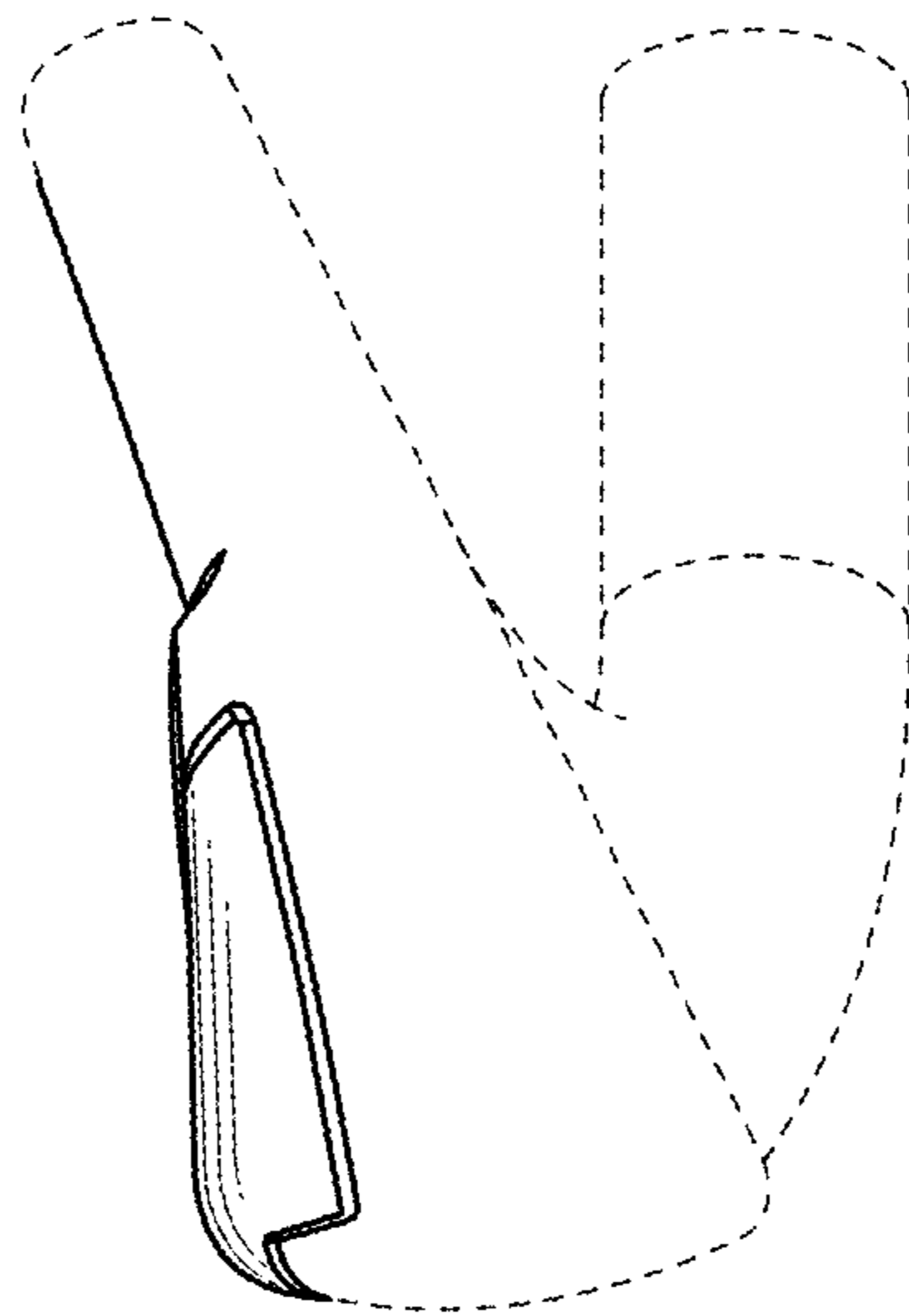


FIG. 7