



US00D776770S

(12) **United States Design Patent**  
**Holland**

(10) **Patent No.:** **US D776,770 S**  
(45) **Date of Patent:** **\*\* Jan. 17, 2017**

(54) **ATHLETIC FIELD CONE MARKER**

D749,684 S \* 2/2016 Holland ..... D21/706

(71) Applicant: **Pro Performance Sports, L.L.C.**,  
Carlsbad, CA (US)

\* cited by examiner

(72) Inventor: **Allen Keith Holland**, Carlsbad, CA  
(US)

*Primary Examiner* — George D Kirschbaum

(73) Assignee: **PRO PERFORMANCE SPORTS,**  
**L.L.C.**, Carlsbad, CA (US)

(74) *Attorney, Agent, or Firm* — Squire Patton Boggs  
(US) LLP

(\*\*) Term: **14 Years**

(57) **CLAIM**

The ornamental design for an athletic field cone marker, as shown and described.

(21) Appl. No.: **29/511,899**

(22) Filed: **Dec. 15, 2014**

**DESCRIPTION**

(51) **LOC (10) Cl.** ..... **21-02**

(52) **U.S. Cl.**  
USPC ..... **D21/706**

(58) **Field of Classification Search**  
USPC ..... D21/706; D10/109.1, 113.2  
See application file for complete search history.

FIG. 1 is a top, front and left side perspective view of my new design.

FIG. 2 is a top, front and right side perspective view.

FIG. 3 is a front view, with the back view the same as the front view.

FIG. 4 is a left side view, with the right side view the same as the left side view.

FIG. 5 is a top view; and,

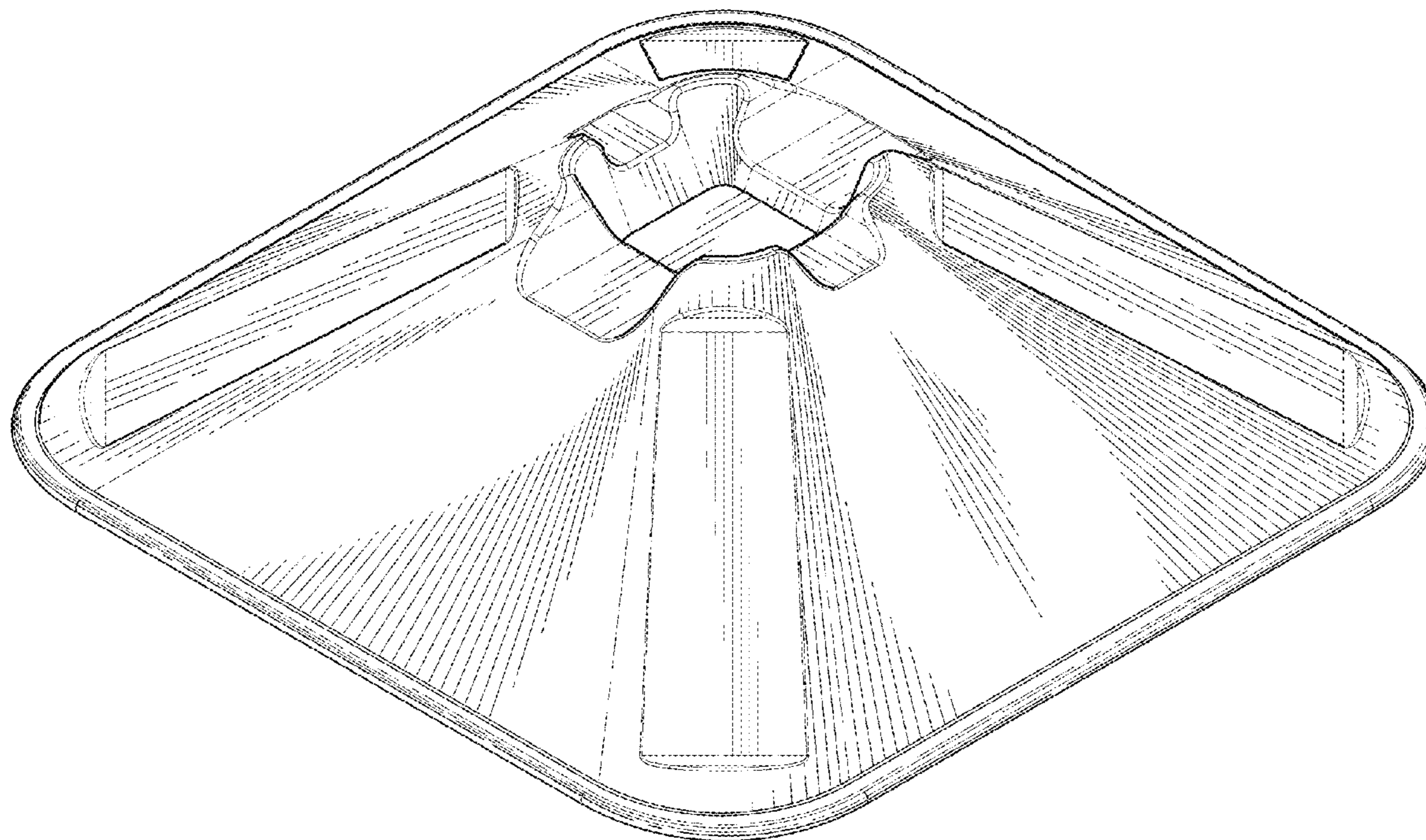
FIG. 6 is a bottom view.

(56) **References Cited**

**U.S. PATENT DOCUMENTS**

D660,737 S \* 5/2012 O'Keefe ..... D10/109.1

**1 Claim, 6 Drawing Sheets**



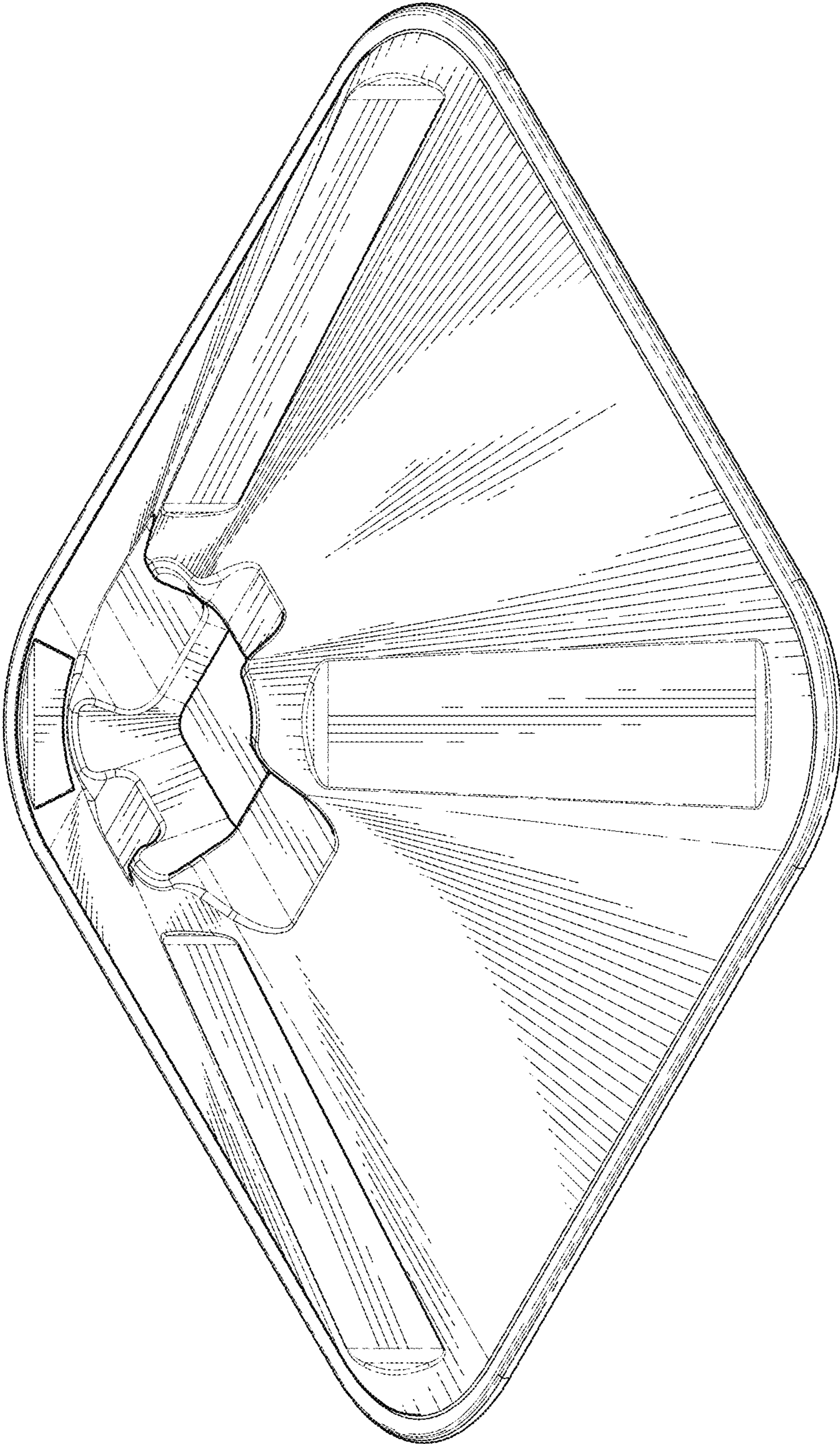


FIG. 1

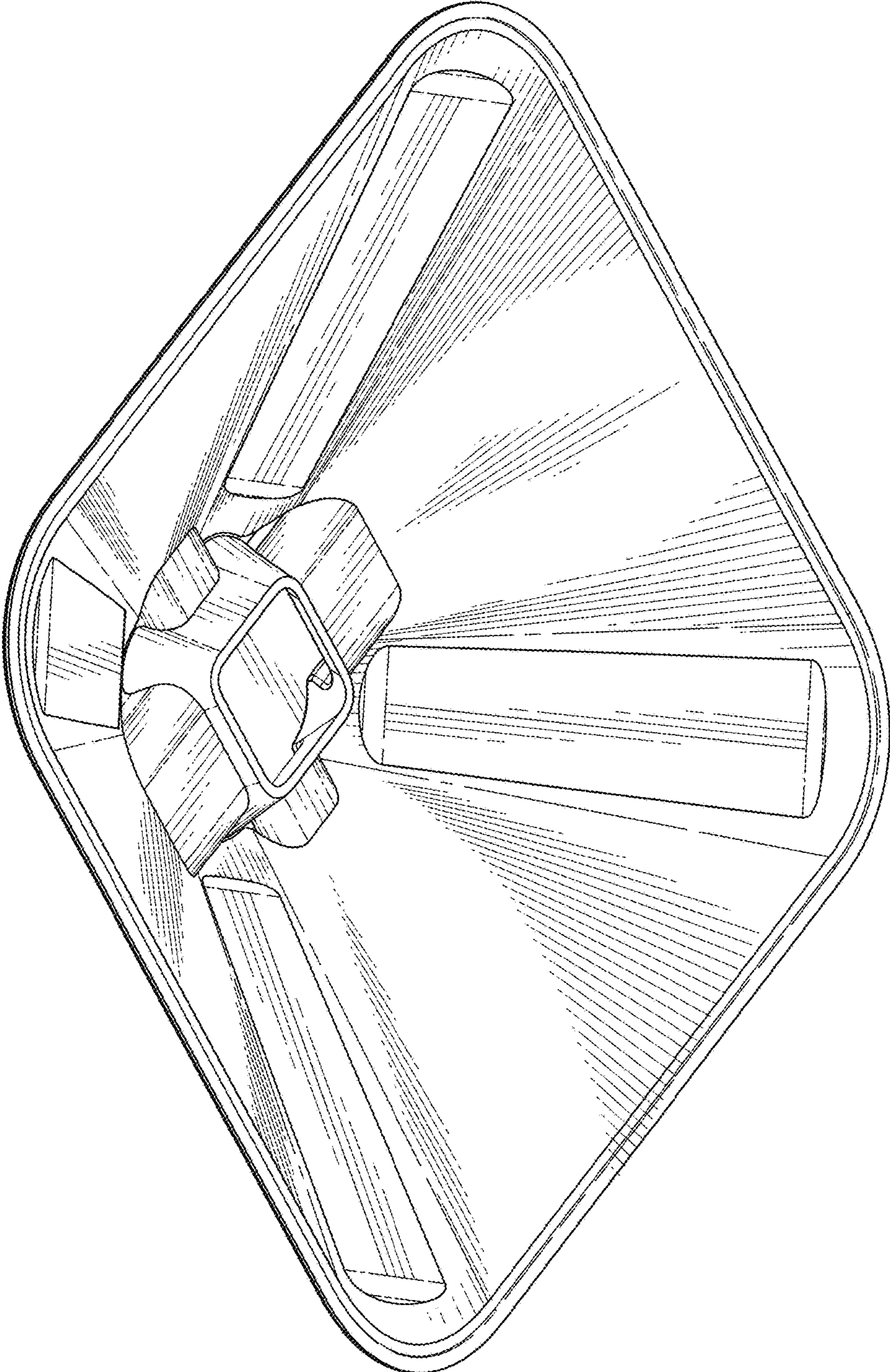


FIG. 2

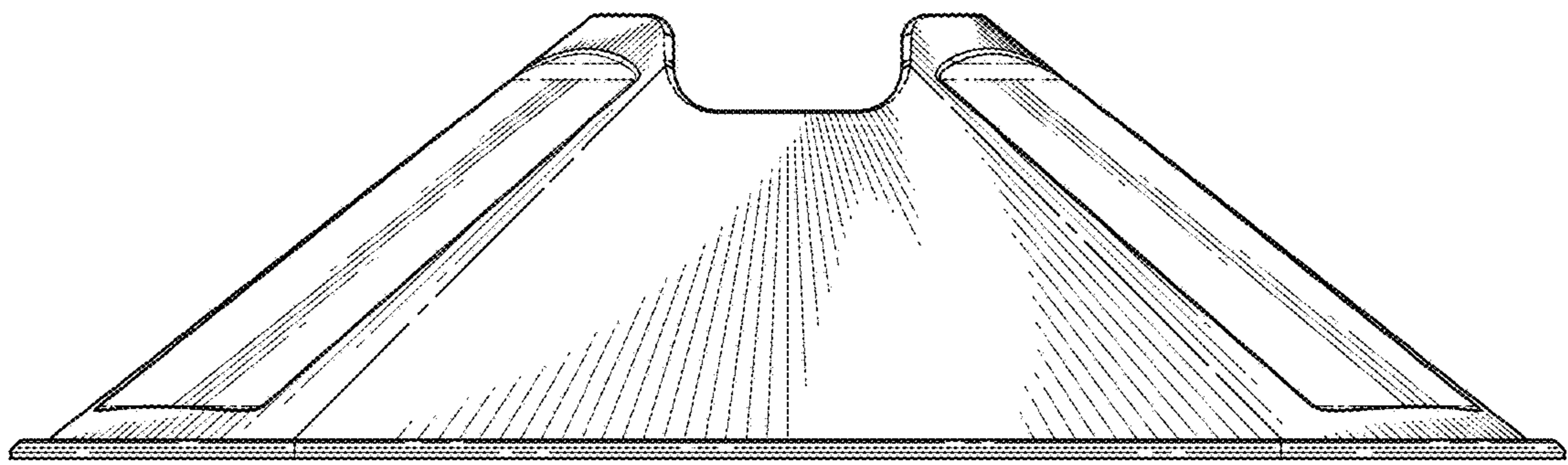


FIG. 3

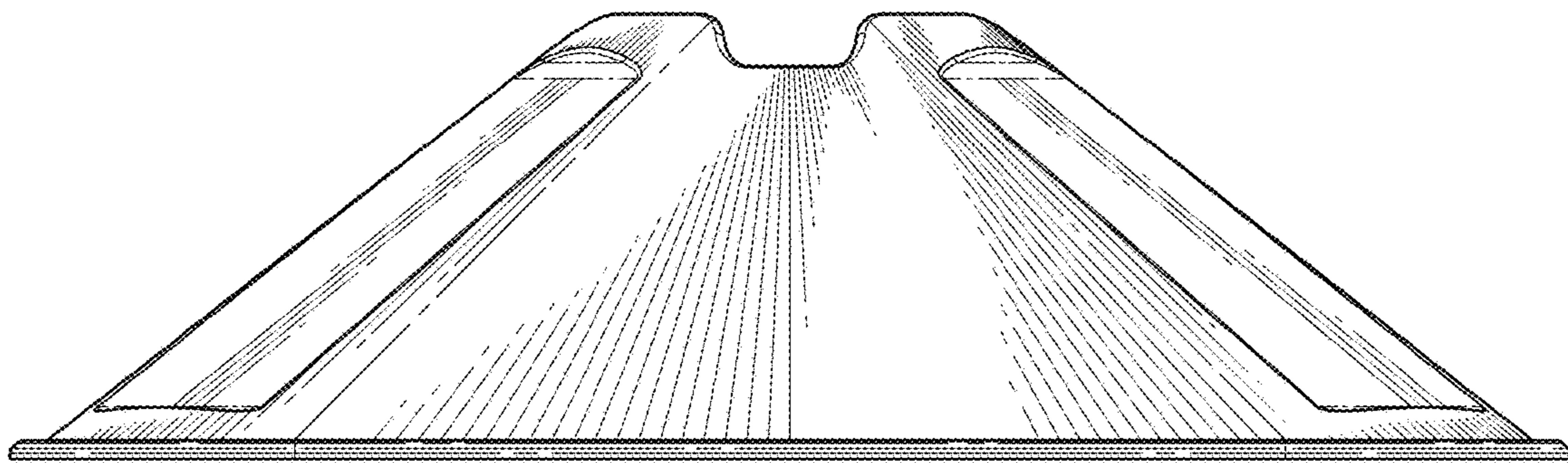


FIG. 4

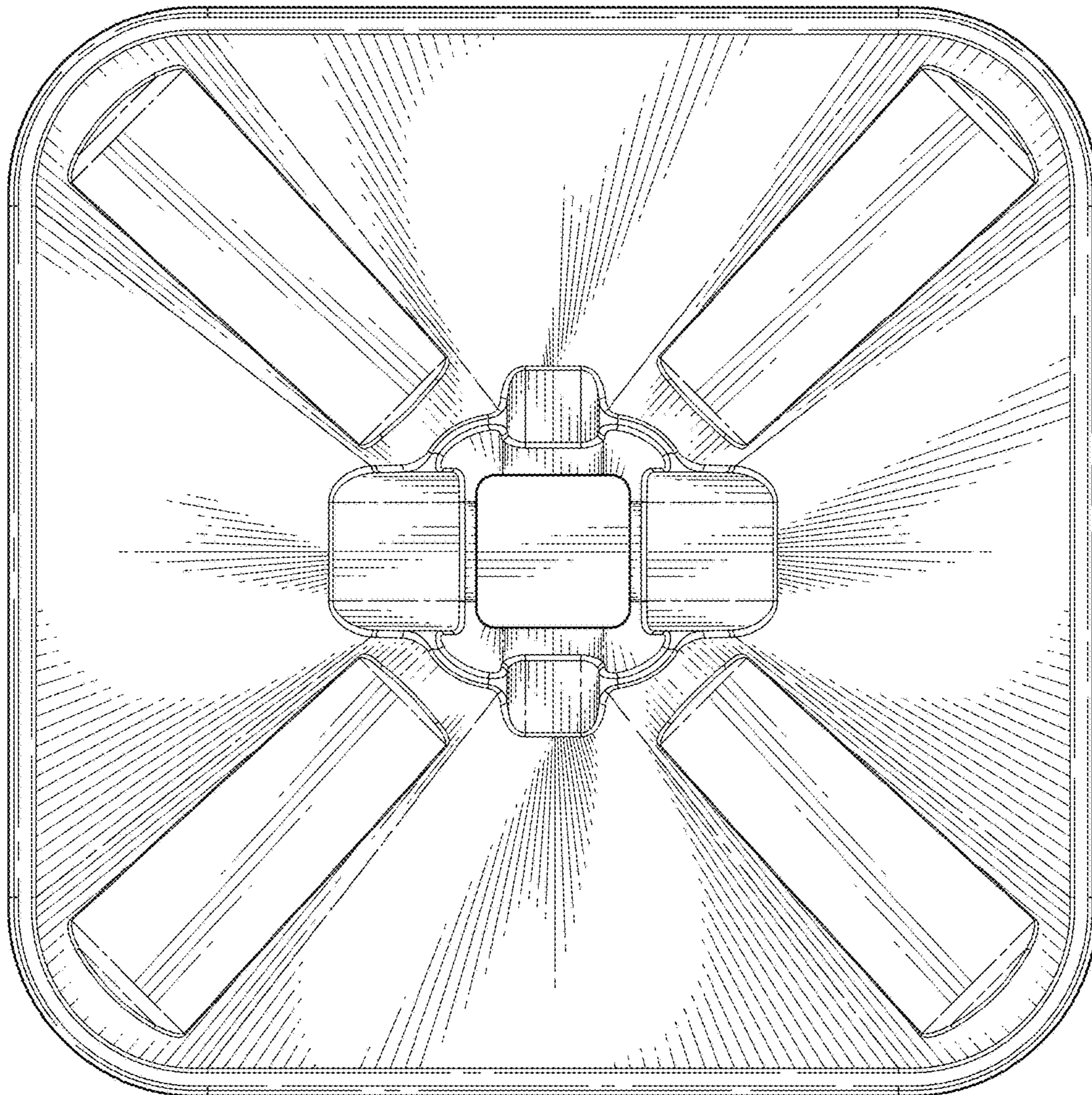


FIG. 5

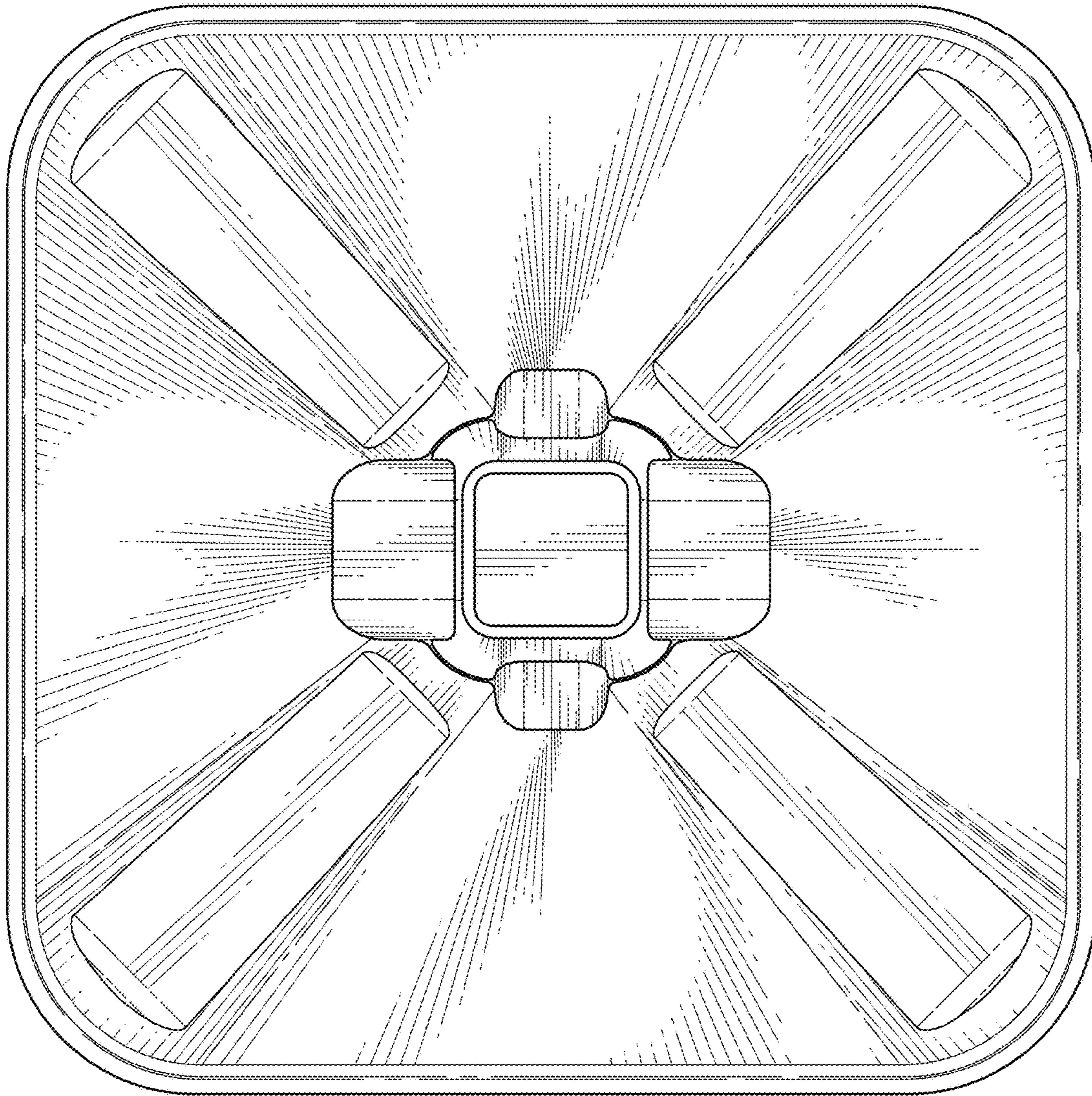


FIG. 6