



US00D776768S

(12) **United States Design Patent** (10) **Patent No.:** **US D776,768 S**
Ho et al. (45) **Date of Patent:** **** *Jan. 17, 2017**

(54) **ABDOMINAL EXERCISER BENCH**

(56) **References Cited**

(71) Applicants: **Wei-Teh Ho**, Taipei (TW); **Willy Wei Yu Ho**, Taipei (TW)

U.S. PATENT DOCUMENTS

(72) Inventors: **Wei-Teh Ho**, Taipei (TW); **Willy Wei Yu Ho**, Taipei (TW)

5,545,114 A	8/1996	Gvoich	
5,599,261 A	2/1997	Easley et al.	
D379,483 S	5/1997	England et al.	
D381,378 S *	7/1997	Colonello	D21/687
D384,379 S *	9/1997	Lin	D21/687
5,676,628 A	10/1997	Chen	
D385,930 S *	11/1997	Chen	D21/687
D390,290 S	2/1998	Van Der Hoeven et al.	
D393,891 S	4/1998	Van Der Hoeven et al.	
D400,953 S *	11/1998	Huang	D21/687
5,871,425 A	2/1999	Gvoich	
D408,875 S	4/1999	Anderson	
6,220,995 B1	4/2001	Chen	
6,544,151 B2	4/2003	Tornabene	
D476,045 S	6/2003	Casey et al.	
D476,384 S *	6/2003	Perez	D21/687
D478,137 S	8/2003	Ho et al.	
D496,701 S *	9/2004	Chung	D21/662
6,966,871 B2 *	11/2005	Parmater	A63B 21/023 482/129

(*) Notice: This patent is subject to a terminal disclaimer.

(**) Term: **14 Years**

(21) Appl. No.: **29/523,867**

(22) Filed: **Apr. 14, 2015**

Related U.S. Application Data

(63) Continuation-in-part of application No. 29/509,265, filed on Nov. 14, 2014, now Pat. No. Des. 743,494, which is a continuation-in-part of application No. 29/491,763, filed on May 23, 2014, now Pat. No. Des. 730,457.

(51) **LOC (10) Cl.** **21-02**

(52) **U.S. Cl.**
USPC **D21/687**

(58) **Field of Classification Search**
USPC 482/122, 115, 145, 111, 123, 121, 126, 482/140, 142, 130, 129, 132, 96, 131, 482/139, 148, 141, 146, 95, 907, 143, 482/144, 93, 908, 127, 92, 109, 110, 80; 297/16.1, 175, 445.1, 440.15, 215.12, 297/313, 328, 383, 423.46, 423.1, 423.44, 297/259.1, 353; D21/690, 676, 687, 662, D21/691, 688, 681, 694, 423, 686; 273/449; 601/24, 49, 120, 131, 46; 472/103; 140/121, 122, 123, 124, 90; 108/6; 248/397; 292/338, 313; D6/353
CPC A63B 23/0211; A63B 21/0552; A63B 2208/0233; A63B 21/1492; A63B 23/0233; Y10S 482/907

See application file for complete search history.

(Continued)

Primary Examiner — Robert M Spear

Assistant Examiner — Ryan Harvey

(74) *Attorney, Agent, or Firm* — Blakely, Sokoloff, Taylor & Zafman LLP

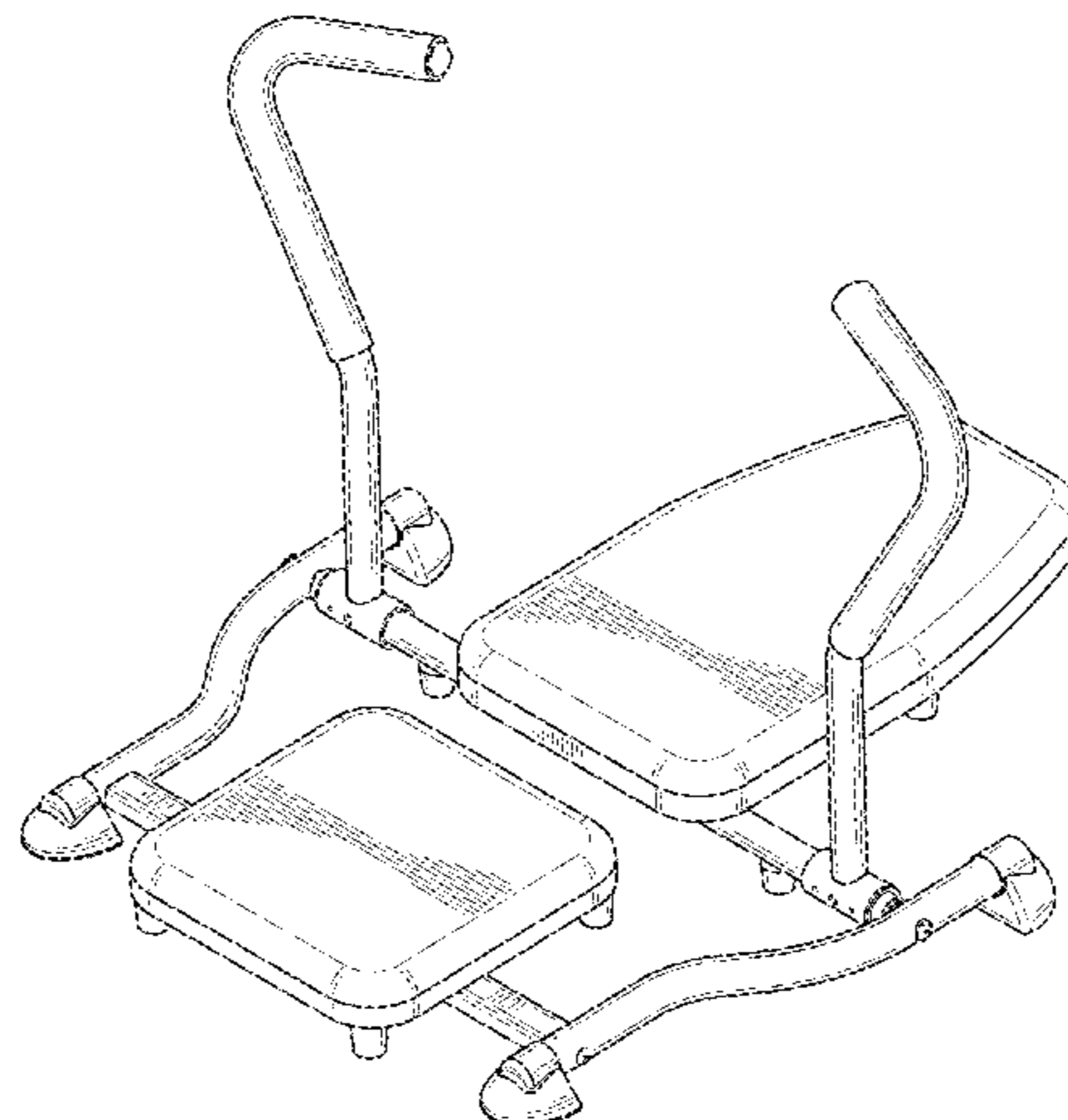
(57) **CLAIM**

The ornamental design for an abdominal exerciser bench, as shown and described.

DESCRIPTION

The present invention is also related to U.S. Design patent application Ser. No. 29/508,540, filed on Nov. 7, 2014. FIG. 1 is a perspective view showing the new design for an abdominal exerciser bench; FIG. 2 is a front view thereof; FIG. 3 is a rear view thereof; FIG. 4 is a left side view thereof; FIG. 5 is a right side view thereof; FIG. 6 is a top view thereof; and, FIG. 7 is a bottom view thereof.

(Continued)



The broken lines depict elements of the article that form no part of the claimed design.

1 Claim, 7 Drawing Sheets

(56)

References Cited

U.S. PATENT DOCUMENTS

7,357,764	B2	4/2008	Stearns	
D641,434	S	7/2011	Khubani	
8,012,072	B2	9/2011	Forcillo et al.	
D649,205	S	11/2011	Zachary	
D703,280	S	4/2014	Ho et al.	
D719,224	S	12/2014	Ho et al.	
D727,440	S *	4/2015	Ho	D21/681
D728,709	S *	5/2015	Ho	D21/687
D730,457	S *	5/2015	Ho	D21/687
D732,119	S *	6/2015	Ho	D21/687
D741,421	S *	10/2015	Ho	D21/687
2003/0130100	A1	7/2003	Perez	
2004/0220027	A1	11/2004	Stearns	
2005/0130816	A1	6/2005	Huang	
2006/0166799	A1	7/2006	Boland et al.	
2007/0259762	A1	11/2007	Ho	
2007/0281840	A1	12/2007	Tsai	
2014/0274616	A1	9/2014	Ho et al.	
2014/0274618	A1	9/2014	Ho et al.	

* cited by examiner

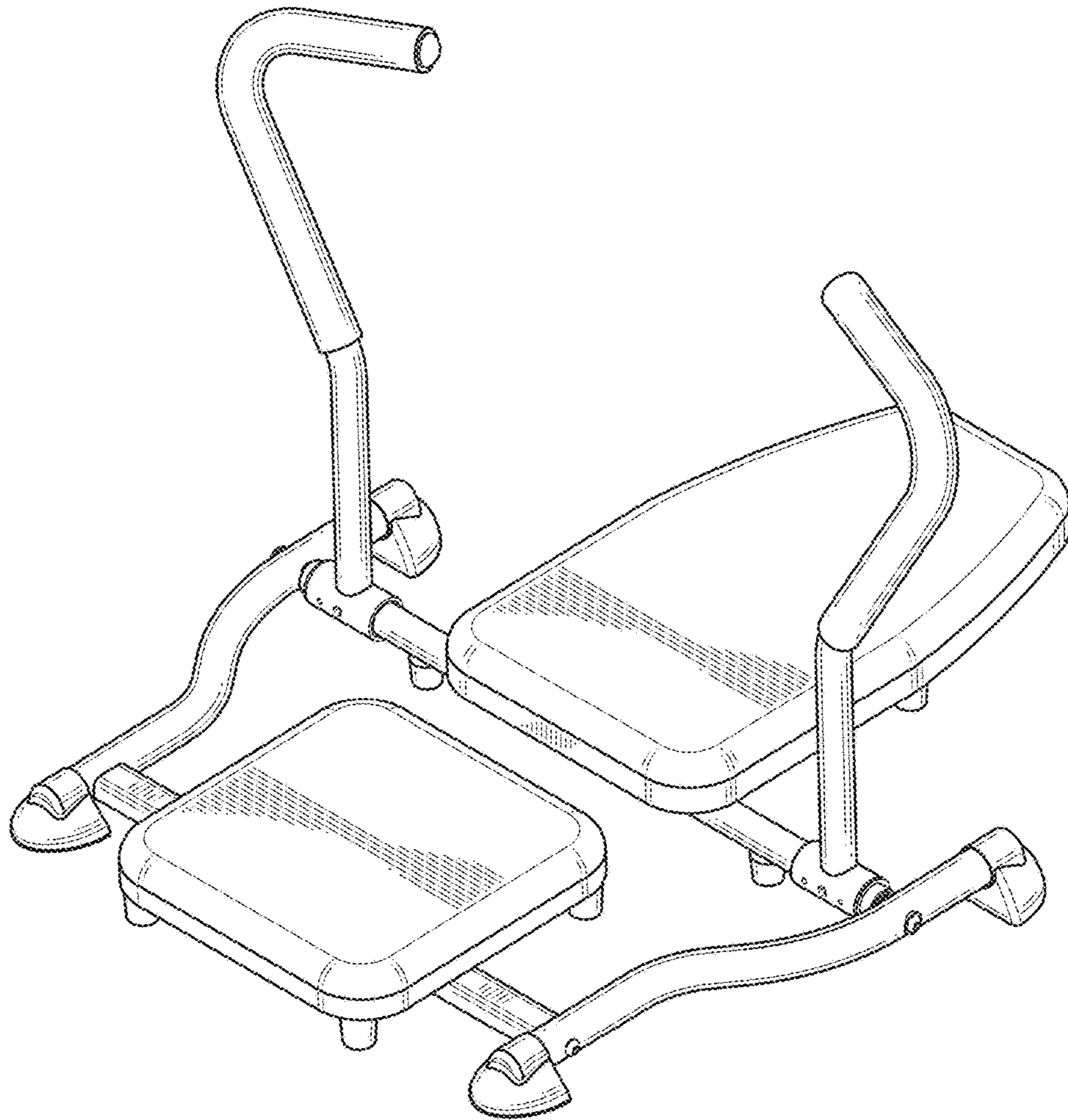


FIG. 1

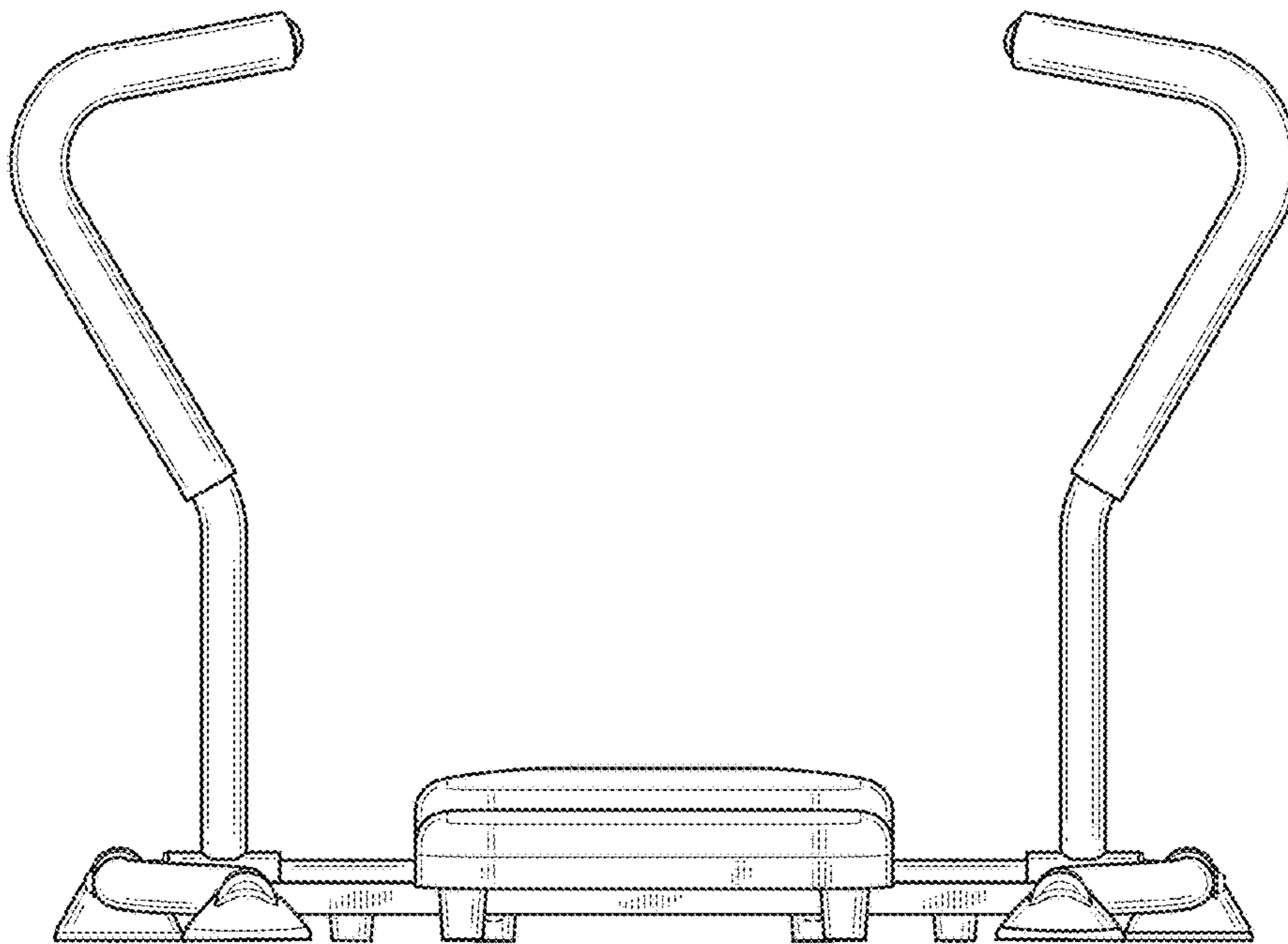


FIG. 2

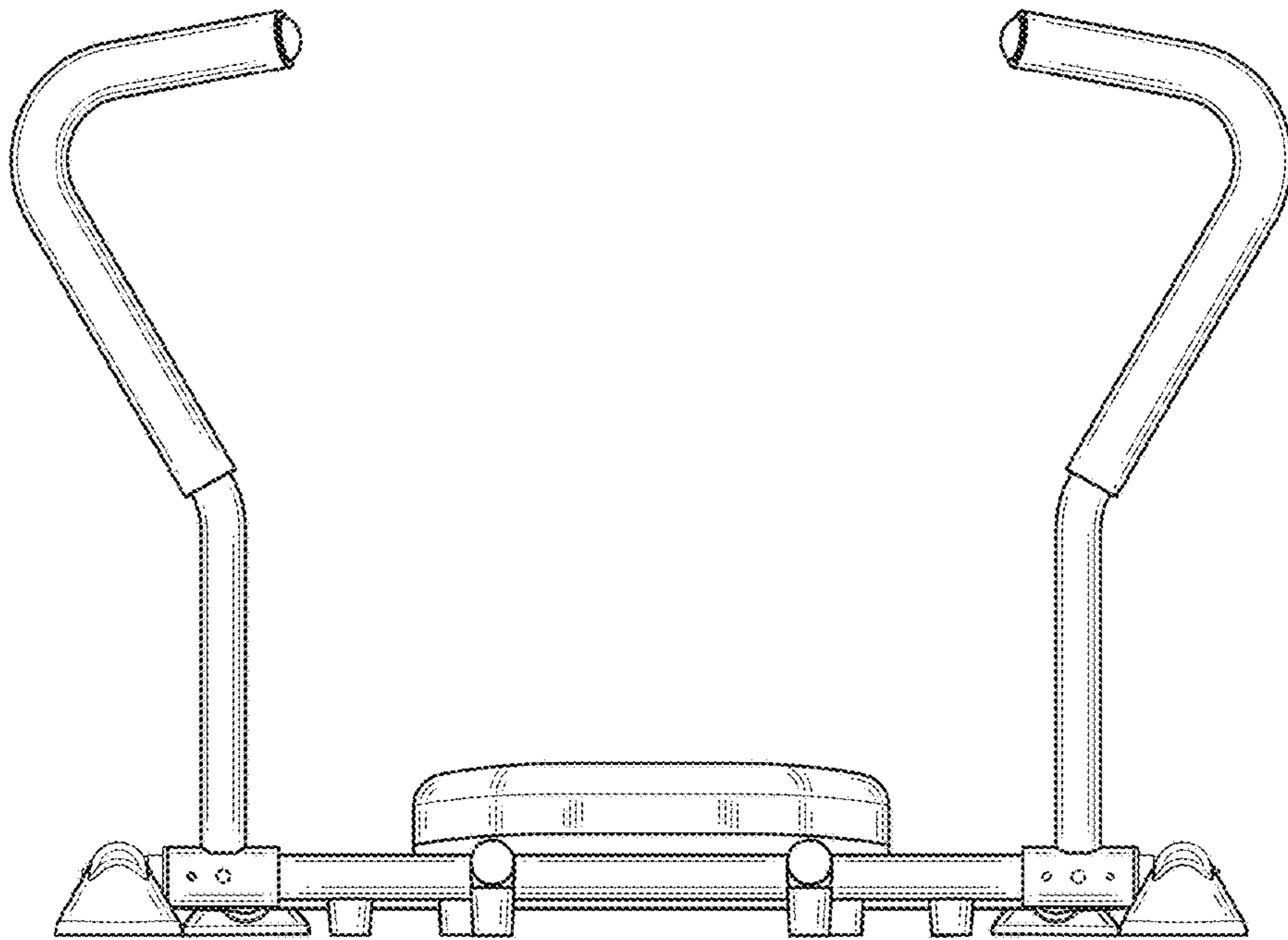


FIG. 3

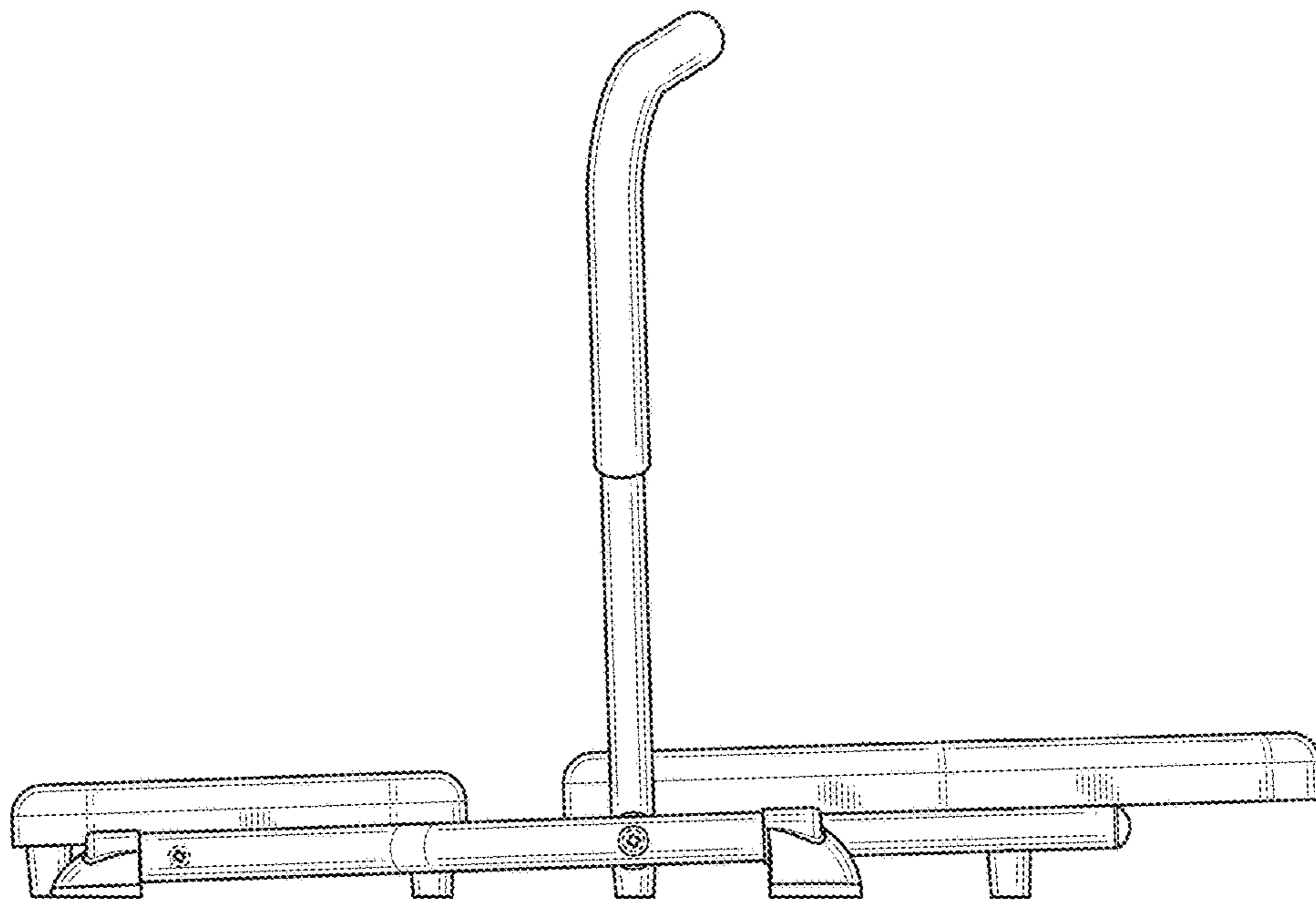


FIG. 4

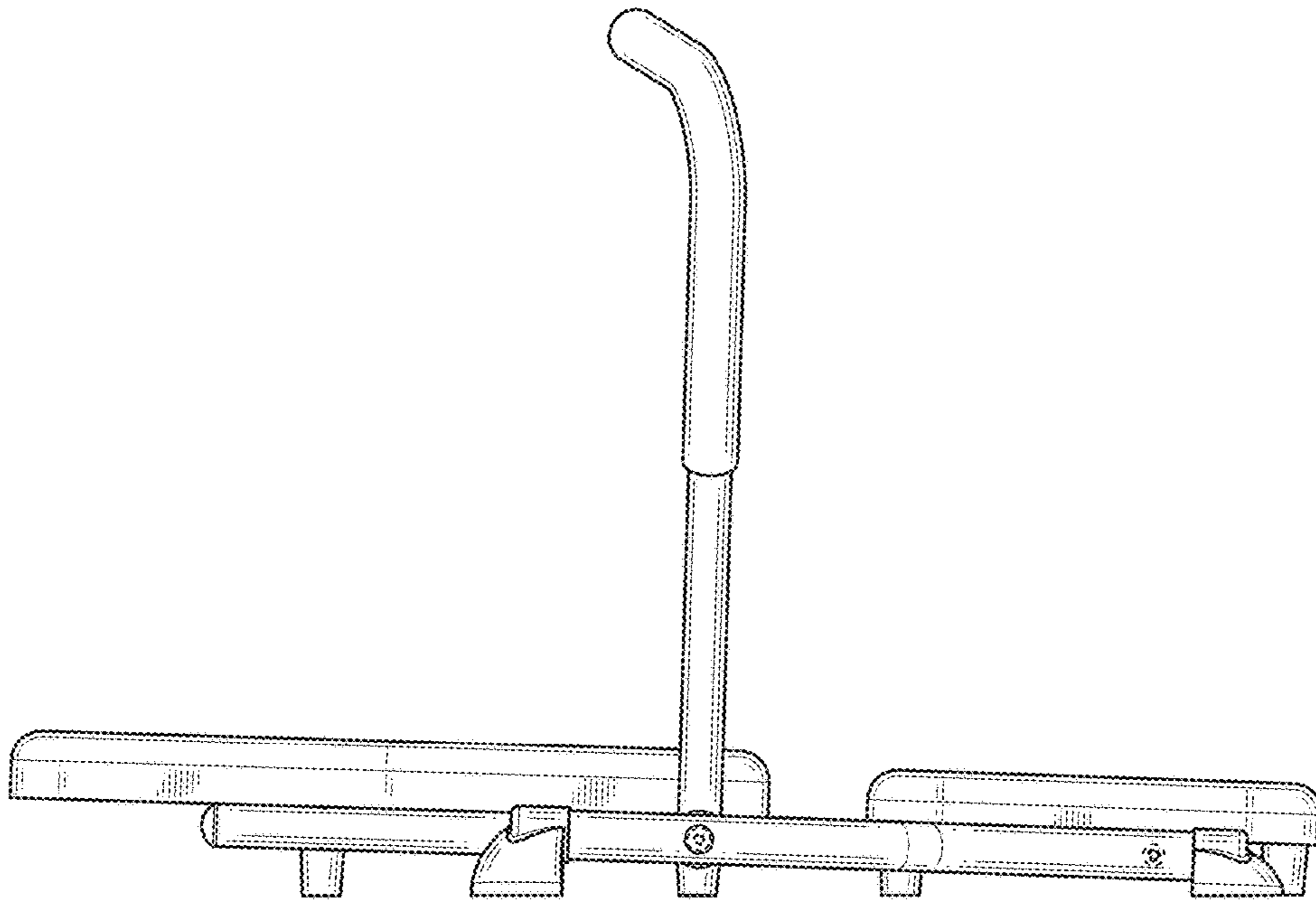


FIG. 5

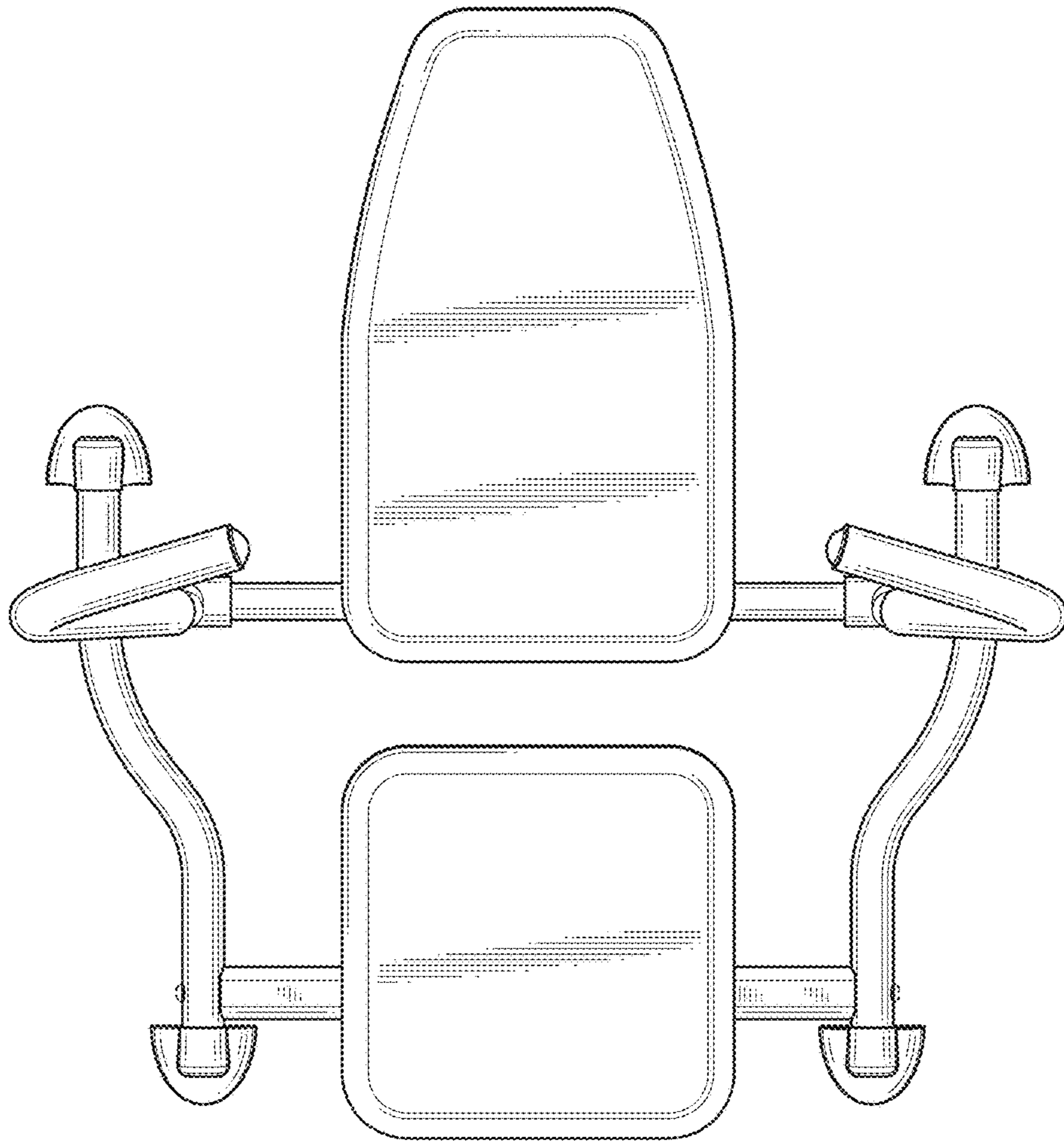


FIG. 6

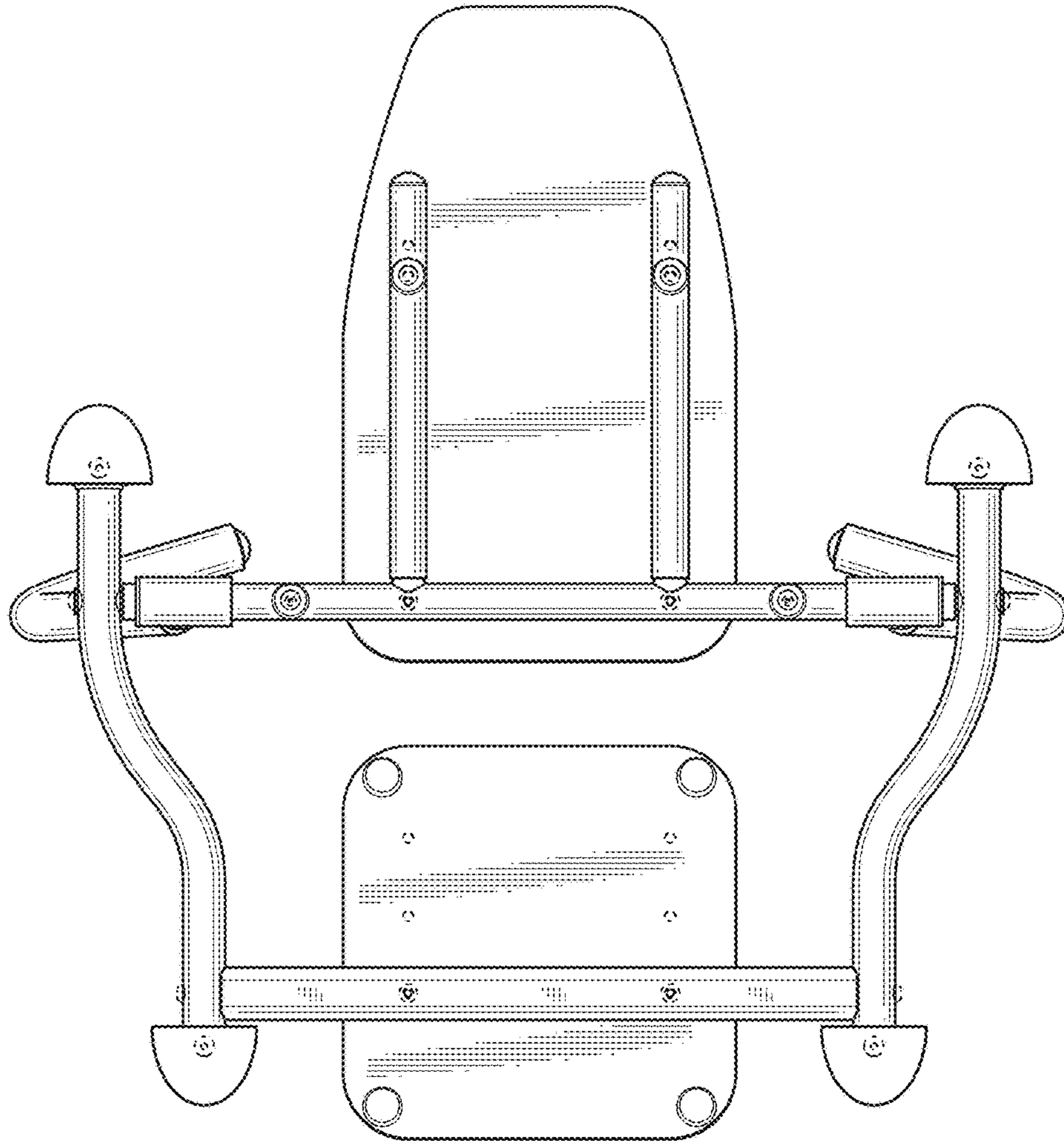


FIG. 7